

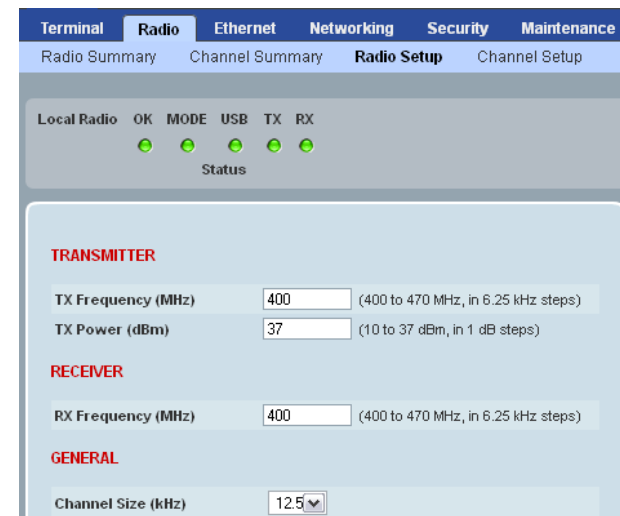
5. Setup the Aprisa FE radio

The Aprisa FE point-to-point radio end points are Local Radio and Remote Radio.

Set the Ethernet Operating Mode and the Compliance Mode required.



Set the Aprisa FE TX Frequency, RX Frequency, TX Power and Channel Size to comply with your site license.



You can now configure the remaining terminal and link parameters and settings. Please refer to the Aprisa FE User Manual for detailed instructions.

6. Monitor the Aprisa FE radio signal strength

When the link is installed, the radio signal strength can be monitored on radios by setting the radio to Test Mode.

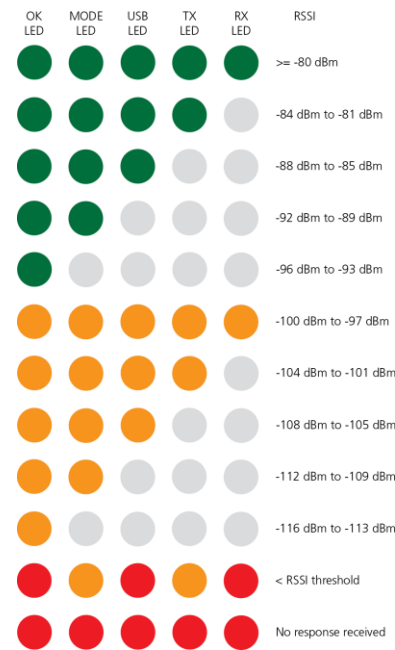
To enter Test Mode, press and hold the TEST button on the radio LED panel until all the LEDs flash green (about 3 - 5 seconds).

In Test Mode, the LED Display panel presents a real time visual display of the RSSI. This can be used to adjust the antenna for optimum signal strength.

Note: The response time is variable and can be up to 5 seconds.

To exit Test Mode, press and hold the TEST button until all the LEDs flash red (about 3 - 5seconds).

The OK, MODE and USB LEDs will be solid green and the TX and RX LEDs will be solid or flash green if the link is operating correctly.



Please refer to the Aprisa FE User Manual on the Information and set up CD for more information.



Quick Start Guide

Contents

Follow these steps to operate your Aprisa FE radio:

Check the box contents

Install the Aprisa FE radio and connect the protection earth

Connect the Antenna and apply power to the Aprisa FE radio

Connect to the Aprisa FE radio

Setup the Aprisa FE radio

Monitor the Aprisa FE radio signal strength

1. Check the box contents

The Aprisa FE is shipped to you in a box containing the following:

(1) One Aprisa FE radio fitted with power connector

The Aprisa FE has two chassis depth options:

- 300 mm depth (part number ...30...)
- 440 mm depth (part number ...44...)

(2) Information and set up CD containing the following:

- Aprisa FE Radio Software
- Aprisa FE Product Description and Aprisa FE User Manual
- Aprisa FE Software Release Notes
- Adobe® Reader® (for viewing the PDF files on the CD)
- USB Serial Driver and TFTP server software
- Microsoft® Internet Explorer and Mozilla Firefox web browsers

(3) Installation kit containing the following:

Two mounting brackets and 8 screws



Hardware kit (includes Allen key for lid screws)



DC power cable 3 m



USB Cable USB A to USB micro B, 1m

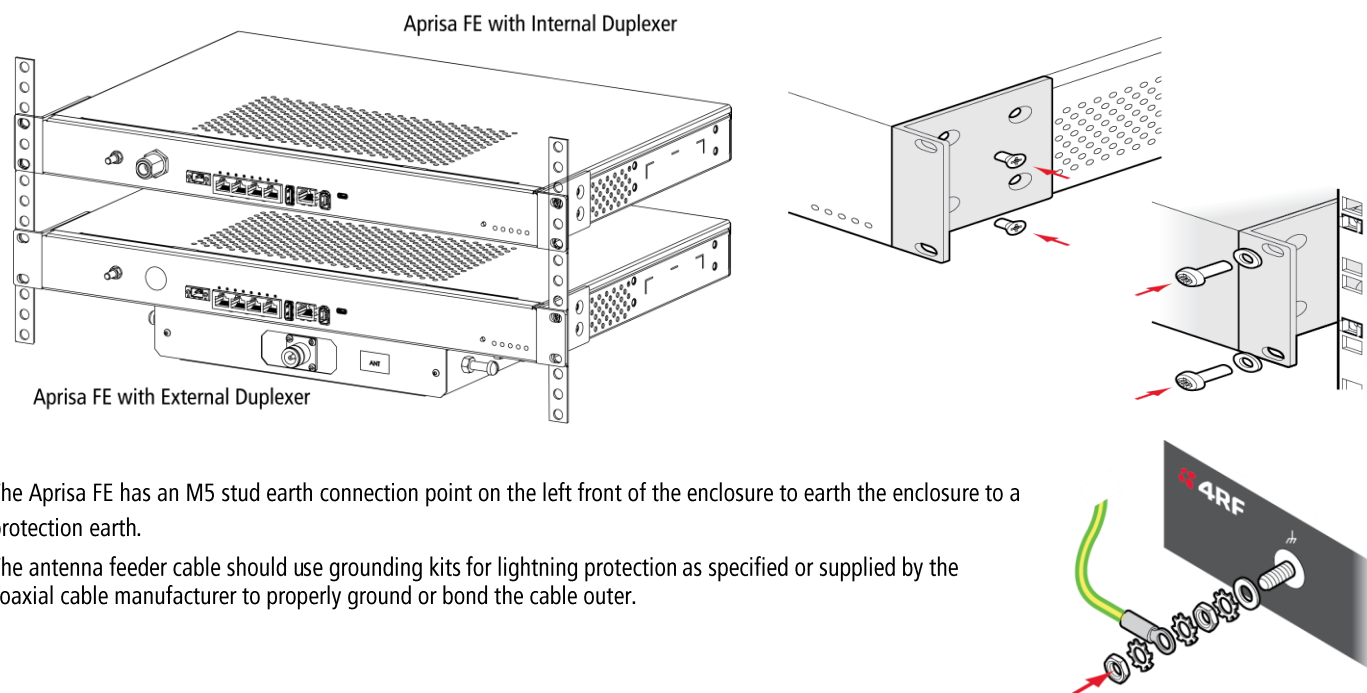


Ground cable 5 m



2. Install the Aprisa FE radio and connect the protection earth

The Aprisa FE is designed to be rack mounted in a standard 19" rack. The internal duplexer and external duplexer mounting are shown below:



The Aprisa FE has an M5 stud earth connection point on the left front of the enclosure to earth the enclosure to a protection earth.

The antenna feeder cable should use grounding kits for lightning protection as specified or supplied by the coaxial cable manufacturer to properly ground or bond the cable outer.

3. Connect the antenna and apply power to the Aprisa FE radio

Connect the antenna to the antenna port N type female connector. If the antenna is not available, terminate the Antenna port with a N type male 50 ohm terminator (10 Watts min).

The Aprisa FE is operated from a DC source of voltage between +10 VDC and +30 VDC (negative earth) and consumes up to 35 Watts. External power supplies are available from 4RF as accessories (see the Aprisa FE User Manual).

The power connector (Molex 2 pin female) is supplied fitted to the radio. Wire your power source to the power connector (- / +) and plug the connector into the radio. The connector screws should be fastened to secure the connector.



Turn your power source on.

The radio LEDs will flash orange for one second and then the OK, MODE, USB LEDs will light solid green and the TX and RX LEDs will flash red.

When the radio has been configured and has registered with the other radio, the TX and RX LEDs will be solid or flash green if the link is operating correctly.

The Aprisa FE radio is ready to operate.

Warning: On link operation, RF energy is radiated from the antenna. Do not stand in front of the antenna.

4. Connect to the Aprisa FE radio

The Aprisa FE has a factory default IP address of 169.254.50.10 with a subnet mask of 255.255.0.0. The Aprisa FE protected station has a factory default IP address of 169.254.50.10 for radio A and 169.254.50.20 for radio B with a subnet mask of 255.255.0.0.

Each radio in the Aprisa FE link must be setup with a unique IP address on the same subnet.

If the IP address of the radio is unknown, it can be changed via the Command Line Interface on the radio MGMT USB port:

- Connect your PC USB port to the Aprisa FE MGMT USB port (see the Aprisa FE User Manual Command Line Interface section).
- Login to the radio with the default login 'admin' and password 'admin'.
- At the command prompt >> type 'cd APRISASR-MIB-4RF' and enter.
 - type 'set termEthController1IpAddress xxx.xxx.xxx.xxx' and enter.
 - type 'set termEthController1SubnetMask 255.255.0.0' and enter.
 - type 'set termEthController1Gateway xxx.xxx.xxx.xxx' and enter.

If the IP address of the radio is known or is the default IP address, it can be changed via the Ethernet port:

- Setup your PC for a compatible IP address e.g. 169.254.50.1 with a subnet mask of 255.255.0.0.
- Connect your PC network port to one of the Aprisa FE Ethernet ports.
- Open a browser and enter <https://169.254.50.10>.

Note: The Aprisa FE has a Self Signed security certificate which may cause the browser to prompt a certificate warning. It is safe to ignore the warning and continue. The valid certificate is 'Issued By: 4RF-APRISA' which can be viewed in the browser.

- Login to the radio with the default login 'admin' and password 'admin'.
- Change the IP address, Subnet mask and Gateway to network compatible IP addresses.

