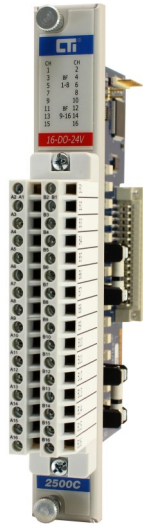




2500C-16-DO-24V Discrete Output Module



Output Specifications

Outputs per module	16
Module Logon	8X /16Y
Output Voltage Range	11 to 30 VDC
Maximum Output current per Channel - Preliminary	.5 A @ 25°C .25 @ 60°C
Maximum Output current per Group	4A at 25°C
Maximum Surge Current	3A for 15 sec
“ON” State Voltage Drop	83 mV
“OFF” State Leakage Current	0.05 µA
Turn ON Time	.5 mS
Turn OFF Time	10 mS
Fusing	Groups of 8
Fuses: 2 Field Replaceable Fuses	6.3 amp, 250V Type Littelfuse #23016300021 Schurter 0034.0909

DESCRIPTION

The 2500C-16-DO-24V Module outputs a wide range of DC voltage signals. It is designed to provide 16 solid state output circuits to switch on or off external devices such as pilot lamps, motor starters or solenoids. The 2500C-16-DO-24V is designed to switch an externally supplied 24VDC. LEDs provide visual indication for output and fuse status.

FEATURES

- Single wide module
- 16 channels isolated in groups of 8 channels
- Each group is individually fused
- Sourcing or sinking Outputs
- Channel On/Off Status Indication
- Blown fuse indication and reporting for each group
- Uses CTI's 2500C-32F Connector
- Module supports hot swapping

Module Size	Single wide module
Connector	2500C-32F
Backplane Power (MAX)	1.25 watts
Input ESD Protection	IEC 1000-4-2 Level 4
Isolation	1500 VDC Channel to Backplane 1000 VDC Group to Group
Shipping Dimensions and Weight	223.84mm x 109.86mm x 34.93mm, 0.234kg
Operating Temperature Range	0°C to 60°C (32°F to 140°F)
Storage Temperature Range	-40°C to 85°C (-40°F to 185°F)
Relative Humidity	5% to 95% (non-condensing)
Agency Approvals Pending	UL, ULC, UL Class 1, Div 2, CE

2500C-16-DO-24V Default Shipment Settings

Operation Mode	NA
Logon	8X /16Y
Output Range	11-30VDC



Control Technology Inc.

5734 Middlebrook Pike, Knoxville, TN 37921-5914
Phone: +1.865.584.0440 Fax: +1.865.584.5720
www.controltechnology.com





2500C-16-DO-24V Discrete Output Module

Channel	Output	Terminal	Terminal	Voltage	Group
Channel 1	Output	A1	B1	24 VDC	Group A
Channel 2	Output	A2	B2		
Channel 3	Output	A3	B3		
Channel 4	Output	A4	B4		
Channel 5	Output	A5	B5		
Channel 6	Output	A6	B6		
Channel 7	Output	A7	B7		
Channel 8	Output	A8	B8		
Channel 9	Output	A9	B9	24 VDC	Group B
Channel 10	Output	A10	B10		
Channel 11	Output	A11	B11		
Channel 12	Output	A12	B12		
Channel 13	Output	A13	B13		
Channel 14	Output	A14	B14		
Channel 15	Output	A15	B15		
Channel 16	Output	A16	B16		

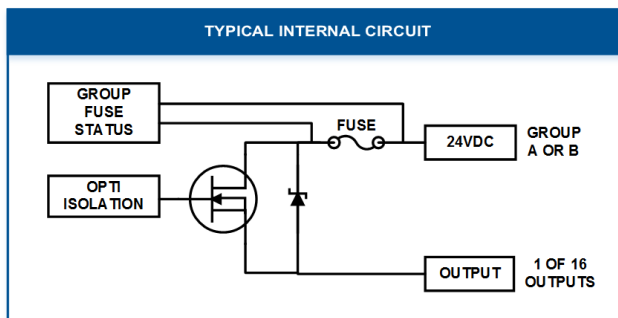
2500C-16-DO-24V Wiring Connector

Note:

The 2500C-16-DO-24V Discrete Output Module uses CTI Wiring Connector 2500C-32F. Please see the wiring connector specification table below. This connector is ordered separately from the module.

2500C-32F Specifications	
Connector Style	Removable
Number of Wiring Connections	32 point
Wire Gauge	14 to 22AWG
Screw Torque Value	5.22 lb-in
Current Rating	6A @ 300VAC
Insulation Stripping Length	0.24" 6mm

Connector Material	
Body:	Polycarbonate UL 94V0
Screw :	M3 Zinc plated Steel
Cage Clamp	Nickel Plated Brass
Socket Contact Spring:	Tin Plated Bronze
Retaining Screw:	M3 Zinc Plated Steel



2500C-16-DO-24V PLC Log on 8X/16Y															
Output Channel 16Y OFF = 0 ON = 1															
CH 1	CH 2	CH 3	CH 4	CH 5	CH 6	CH 7	CH 8	CH 9	CH 10	CH 11	CH 12	CH 13	CH 14	CH 15	CH 16
Y1	Y2	Y3	Y4	Y5	Y6	Y7	Y8	Y9	Y10	Y11	Y12	Y13	Y14	Y15	Y16
Blown Fuse Reporting 8X Blown Fuse = 1															
Blown Fuse Group A Channels 1 through 8								Blown Fuse Group B Channels 9 through 16							
X1								X2							
X3 through X8 are not used															



Control Technology Inc.

5734 Middlebrook Pike, Knoxville, TN 37921-5914
 Phone: +1.865.584.0440 Fax: +1.865.584.5720
www.controltechnology.com

