



## 2500C-8-IDO-24V Discrete Output Module



### DESCRIPTION

The 2500C-8-IDO-24V Module outputs a wide range of DC voltage signals. It is designed to provide 8 solid state output circuits to switch on or off external devices such as pilot lamps, motor starters or solenoids using an externally supplied 24VDC. Front panel LEDs provide visual indication for output and fuse status.

### FEATURES

- Single wide module
- 8 channels isolated channel to channel
- Each channel is individually fused
- Sourcing or sinking Outputs
- Channel On/Off Status Indication
- Blown fuse indication and reporting for each channel
- Uses CTI's 2500C-32F Connector
- Module supports hot swap

Input Specifications	
Inputs per module	8
Module Logon	8X /8Y
Output Voltage Range	11 to 30VDC
Maximum Output current	2 A @ 40°C 1A @ 60°C
Maximum Surge Current	5A for 15 sec
"ON" State Voltage Drop	83mV @ 1.0 Amp
"OFF" State Leakage Current	.05 µA
Turn ON Time	0.5 mS (nominal)
Turn OFF Time	10 mS (nominal)
Fusing	Each Channel is individually fused
Fuses: 2 Field Replaceable Fuses	2.5 amp, 250V Type Littlefuse #021602.5HXP Bussman GDA-2.5A

Module Size	Single wide module
Connector	2500C-32F
Backplane Power (MAX)	1.175 watt Max
Input ESD Protection	IEC-1000-4-2 Level 4
Isolation	1500 VDC Channel to Backplane 1000 VDC Channel to Channel
Shipping Dimensions and Weight	223.84mm x 109.86mm x 34.93mm, 0.234kg
Operating Temperature Range	0°C to 60°C (32°F to 140°F)
Storage Temperature Range	-40°C to 85°C (-40°F to 185°F)
Relative Humidity	5% to 95% (non-condensing)
Agency Approvals Pending	UL, ULC, UL Class 1, Div 2, CE

#### 2500C-8-IDO-24V Default Shipment Settings

Operation Mode	NA
Logon	8X /8Y
Output Range	11-30VDC



### Control Technology Inc.

5734 Middlebrook Pike, Knoxville, TN 37921-5914  
Phone: +1.865.584.0440 Fax: +1.865.584.5720  
www.controltechnology.com





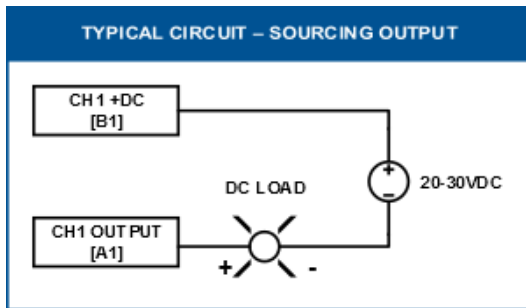
## 2500C-8-IDO-24V Discrete Output Module

Channel 1	Return	A1		B1	24V	Channel 1
	Unused	A2		B2	Unused	
Channel 2	Return	A3		B3	24V	Channel 2
	Unused	A4		B4	Unused	
Channel 3	Return	A5		B5	24V	Channel 3
	Unused	A6		B6	Unused	
Channel 4	Return	A7		B7	24V	Channel 4
	Unused	A8		B8	Unused	
Channel 5	Return	A9		B9	24V	Channel 5
	Unused	A10		B10	Unused	
Channel 6	Return	A11		B11	24V	Channel 6
	Unused	A12		B12	Unused	
Channel 7	Return	A13		B13	24V	Channel 7
	Unused	A14		B14	Unused	
Channel 8	Return	A15		B15	24V	Channel 8
	Unused	A16		B16	Unused	

**2500C-8-DO-24V Wiring Connector**

**Note:**  
The 2500C-8-DO-24V Discrete Output Modules use CTI Wiring Connector 2500C-32F. Please see the wiring connector specification table below. This connector is ordered separately from the module.

2500C-32F Specifications	
Connector Style	Removable
Number of Wiring Connections	32 point
Wire Gauge	14 to 22AWG
Screw Torque Value	5.22 lb-in
Current Rating	6A @ 300VAC
Insulation Stripping Length	0.24" 6mm
Connector Material	
Body:	Polycarbonate UL 94V0
Screw :	M3 Zinc plated Steel
Cage Clamp	Nickel Plated Brass
Socket Contact Spring:	Tin Plated Bronze
Retaining Screw:	M3 Zinc Plated Steel



**2500C-8-IDO-24V PLC Log on 8X/8Y**

Output Channel 8Y OFF = 0 ON = 1							
CH 1	CH 2	CH 3	CH 4	CH 5	CH 6	CH 7	CH 8
Y1	Y2	Y3	Y4	Y5	Y6	Y7	Y8
Blown Fuse Reporting 8X				Blown Fuse = 1			
X1	X2	X3	X4	X5	X6	X7	X8



**Control Technology Inc.**

5734 Middlebrook Pike, Knoxville, TN 37921-5914  
Phone: +1.865.584.0440 Fax: +1.865.584.5720  
www.controltechnology.com

