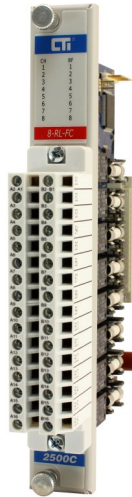




## 2500C-8-RL-FC Relay Output Module



### DESCRIPTION

The 2500C-8-RL-FC Module provides 8 isolated form C relay outputs. This module is designed for high current application such as switching motor starters. Because this is a dry contact output there is no leakage current. Front panel LEDs provide visual indication for output and fuse status.

### FEATURES

- Single wide module
- 8 individually isolated channels
- Each channel is individually fused
- Form C relays
- No leakage current
- Channel On/Off Status Indication
- Blown fuse indication/reporting for each channel (See Blown Fuse Reporting Note)
- Uses CTI's 2500C-32F Connector
- Module supports hot swapping

### Output Specifications

Outputs per module	8
Module Logon	8X /8Y
Output Voltage Range	15-240VAC 15-150VDC
Maximum Output current	15VAC - 240VAC: 5A 15VDC - 30VDC: 5A 31 to 150VDC: Resistive: 1mA - 500mA Inductive: 1mA - 250mA
Switching rate	0.5/ ops/sec (rated load)
Type of output	Form C individually fused
Contact Life	@full rated current, 4A = 400K cycles
User Power Supply (required)	24VDC ±10% 70mA(all outputs ON)
User Power Supply Fusing	1 Amp Littlefuse # 37011000410
Output Channel Fusing	8 fuses
Output Fuses: 8 Field Replaceable Fuses	5.0 amp, 250V Type Littlefuse #215005 Shurter Inc #0001.2511

Module Size	Single wide module
Connector	2500C-32F
Backplane Power (MAX)	1.22 watts
Input ESD Protection	IEC 1000-4-2 Level 4
Isolation	1500 VDC Channel to Backplane 1000 VDC Channel to Channel
Shipping Dimensions and Weight	223.84mm x 109.86mm x 34.93mm, 0.234kg
Operating Temperature Range	0°C to 60°C (32°F to 140°F)
Storage Temperature Range	-40°C to 85°C (-40°F to 185°F)
Relative Humidity	5% to 95% (non-condensing)
Agency Approvals Pending	UL , ULC, UL Class 1, Div 2, CE

### 2500C-8-RL-FC Default Shipment Settings

Operation Mode	NA
Logon	8X /8Y
Signal Range	15 - 240VAC 15 - 30VDC

Note Blown Fuse Reporting: Blown Fuse Reporting is valid for voltage ranges down to 35VDC. Below 35VAC/VDC the module will not be able to detect or report the Blown Fuse condition.



### Control Technology Inc.

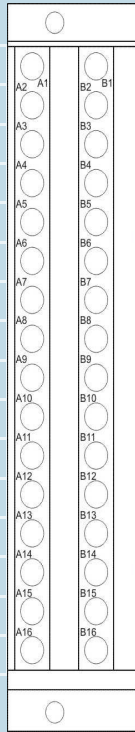
5734 Middlebrook Pike, Knoxville, TN 37921-5914  
Phone: +1.865.584.0440 Fax: +1.865.584.5720  
www.controltechnology.com





## 2500C-8-RL-FC Discrete Output Module

Channel 1	NC	A1	B1	Common	Channel 1
Not used		A2	B2	NO	Channel 1
Channel 2	NC	A3	B3	Common	Channel 2
Not used		A4	B4	NO	Channel 2
Channel 3	NC	A5	B5	Common	Channel 3
Not used		A6	B6	NO	Channel 3
Channel 4	NC	A7	B7	Common	Channel 4
Not used		A8	B8	NO	Channel 4
Channel 5	NC	A9	B9	Common	Channel 5
Not used		A10	B10	NO	Channel 5
Channel 6	NC	A11	B11	Common	Channel 6
Not used		A12	B12	NO	Channel 6
Channel 7	NC	A13	B13	Common	Channel 7
User Supply	24V	A14	B14	NO	Channel 7
Channel 8	NC	A15	B15	Common	Channel 8
User Supply	Return	A16	B16	NO	Channel 8



**2500C-8-RL-FC Wiring Connector**

**Note:**

The 2500C-8-RL-FC Relay Output Module uses CTI Wiring Connector 2500C-32F. Please see the wiring connector specification table below. This connector is ordered separately from the module.

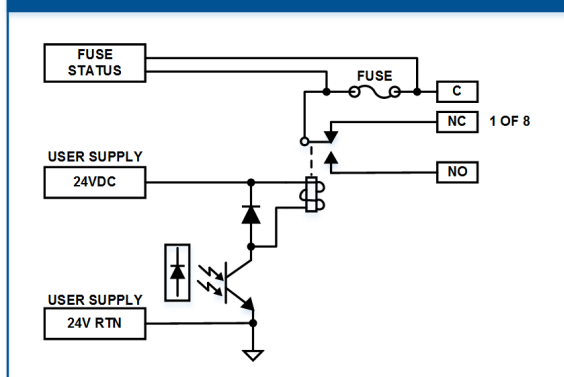
### 2500C-32F Specifications

Connector Style	Removable
Number of Wiring Connections	32 point
Wire Gauge	14 to 22AWG
Screw Torque Value	5.22 lb-in
Current Rating	6A @ 300VAC
Insulation Stripping Length	0.24" 6mm

### Connector Material

Body:	Polycarbonate UL 94V0
Screw :	M3 Zinc plated Steel
Cage Clamp	Nickel Plated Brass
Socket Contact Spring:	Tin Plated Bronze
Retaining Screw:	M3 Zinc Plated Steel

### TYPICAL INTERNAL CIRCUIT



**Control Technology Inc.**

5734 Middlebrook Pike, Knoxville, TN 37921-5914  
 Phone: +1.865.584.0440 Fax: +1.865.584.5720  
[www.controltechnology.com](http://www.controltechnology.com)

