

2432 4-Channel 125 VDC Dry Contact Output Module

LIMITED PRODUCT WARRANTY

CTI warrants that this CTI Industrial Product shall be free from defects in material and workmanship for a period of one (1) year after purchase from CTI or from an authorized CTI Industrial Distributor. This CTI Industrial Product will be newly manufactured from new and/or serviceable used parts which are equal to new in the Product.

Should this CTI Industrial Product fail to be free from defects in material and workmanship at any time during this one (1) year warranty period, CTI will repair or replace (at its option) parts or Products found to be defective and shipped prepaid by the customer to a designated CTI service location along with proof of purchase date and associated serial number. Repair parts and replacement Product furnished under this warranty will be on an exchange basis and will be either reconditioned or new. All exchanged parts or Products become the property of CTI. Should any Product or part returned to CTI hereunder be found by CTI to be without defect, CTI will return such Product or part to the customer.

This warranty does not include repair of damage to a part or the Product resulting from: failure to provide a suitable environment as specified in applicable Product specifications, or damage caused by an accident, disaster, acts of God, neglect, abuse, misuse, transportation, alterations, attachments, accessories, supplies, non-CTI parts, non-CTI repairs or activities, or to any damage whose proximate cause was utilities or utility like services, or faulty installation or maintenance done by someone other than CTI. Control Technology Inc. reserves the right to make changes to the Product in order to improve reliability, function, or design in the pursuit of providing the best possible Product. CTI assumes no responsibility for indirect or consequential damages resulting from the use or application of this equipment.

THE WARRANTY SET FORTH ABOVE IN THIS ARTICLE IS THE ONLY WARRANTY CTI GRANTS AND IT IS IN LIEU OF ANY OTHER IMPLIED OR EXPRESSED WARRANTY OR WARRANTY ON CTI PRODUCTS, INCLUDING WITHOUT LIMITATION, ANY WARRANTY OF MERCHANTABILITY OR OF FITNESS FOR A PARTICULAR PURPOSE AND IS IN LIEU OF ALL OBLIGATIONS OR LIABILITY OF CTI FOR DAMAGES IN CONNECTION WITH LOSS, DELIVERY, USE OR PERFORMANCE OF CTI PRODUCTS OR INTERRUPTION OF BUSINESS, LOSS OF USE, REVENUE OR PROFIT, IN NO EVENT WILL CTI BE LIABLE FOR SPECIAL, INCIDENTAL, OR CONSEQUENTIAL DAMAGES. SOME STATES DO NOT ALLOW THE EXCLUSION OR LIMITATION OF INCIDENTAL OR CONSEQUENTIAL DAMAGES FOR CONSUMER PRODUCTS, SO THE ABOVE LIMITATIONS OR EXCLUSIONS MAY NOT APPLY TO YOU.

THIS WARRANTY GIVES YOU SPECIFIC LEGAL RIGHTS, AND YOU MAY ALSO HAVE OTHER RIGHTS WHICH MAY VARY FROM STATE TO STATE.

REPAIR POLICY

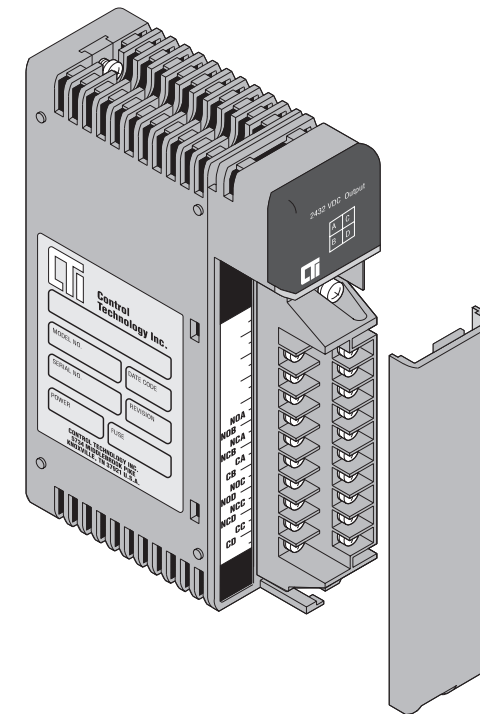
In the event that the Product should fail during or after the warranty period, a Return Material Authorization (RMA) number can be requested verbally or in writing from CTI main offices. Whether this equipment is in or out of warranty, a Purchase Order number provided to CTI when requesting the RMA number will aid in expediting the repair process. The RMA number that is issued and your Purchase Order number should be referenced on the returning equipment's shipping documentation. Additionally, if under warranty, proof of purchase date and serial number must accompany the returned equipment. The current repair and/or exchange rates can be obtained by contacting CTI's main office at 1-800-537-8398.

When returning any module to CTI, follow proper static control precautions. Keep this module away from polyethylene products, polystyrene products and all other static producing materials. Packing the module in its original conductive bag is the preferred way to control static problems during shipment. **Failure to observe static control precautions may void the warranty.** For additional information on static control precautions, contact CTI's main office at 1-800-537-8398.



PRODUCT BULLETIN

2432 4-Channel 125 VDC Dry Contact Output Module



Specifications

Relay Control Coil:

Supplied by Backplane Power at 5 VDC
Nominal Supply Current: 70 mA

Contact Information:

Number of Output Points: 4
Type of Contacts: Form C
Switching Rate: 25 Sec @ 100 mA
Maximum Contact Life: 2 x 10⁵

Load Voltage:

Minimum: 15 VDC
Maximum: 150 VDC

Current (Resistive):

Per Output Point: 0.50 Amp @ 125 VDC resistive
0.25 Amp @ 125 VDC inductive
(see graph for other voltages)

In-rush Current: 64 Amps for 2 mSec

Fuses:

Quantity: 4
Rating: 3 Amp
Type: Subminiature not field serviceable

Environment:

Removable Connector accepts 14 to 22 AWG
Backplane Loading: 1.9 Watts @ 20°C
Operating Temperature: 0° to 60°C (32° to 140°F)
Storage Temperature: -40° to 85°C (-40° to 185°F)
Humidity, Relative: 5% to 95% (non-condensing)

Agency Approvals Pending: UL, CSA, FM

Shipping Weight: 1 lb (0.45 Kg)

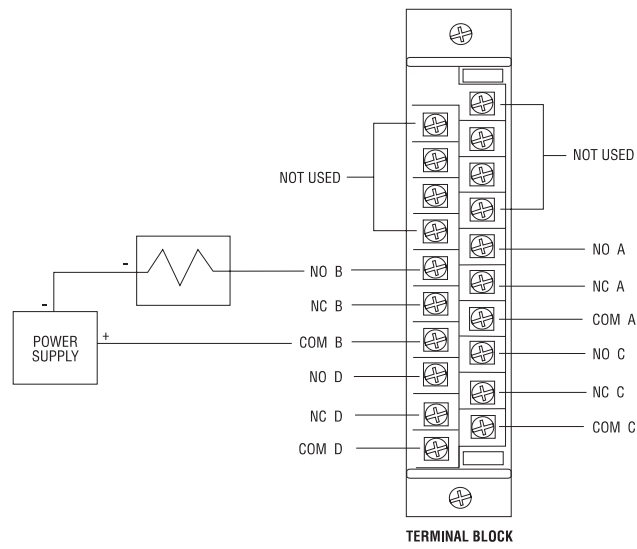
Description

The Model 2432 is a 4-channel "Form C" Dry Contact Output Module designed to be compatible with the 405 Series PLC I/O base. This module is used to switch 125 VDC loads in a variety of applications.

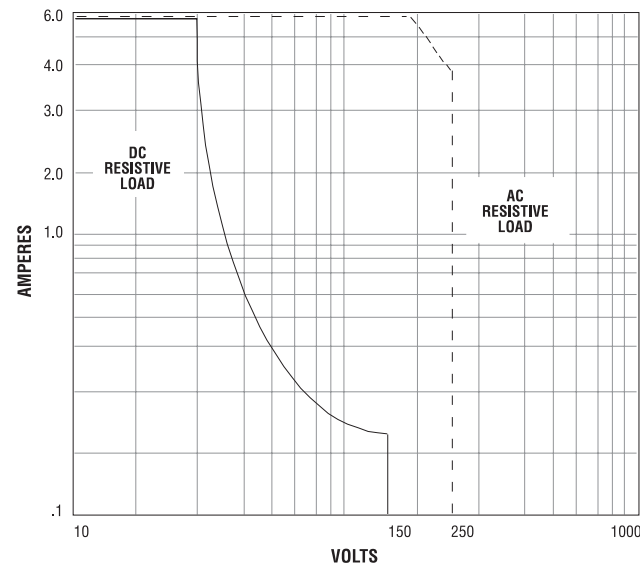
Features

- Series 505 base format
- 1500 V channel-to-channel isolation
- 1500 V channel-to-PLC backplane isolation
- Sourcing and sinking applications
- LEDs field side

2432 4-Channel 125 VDC Dry Contact Output Module

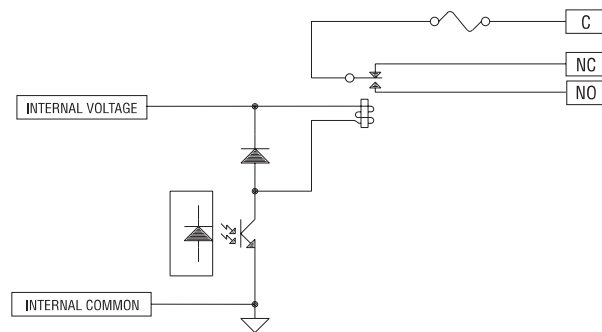


Model 2432 Connector Diagram



Model 2432 Switching Capacity

Consult factory for special fusing in low voltage applications that require 3 to 6 Amps.



Typical Circuit

2432 4-Channel 125 VDC Dry Contact Output Module

I/O MODULE DEFINITION FOR BASE0

SLOT	ADDRESS		POINTS		ID	MODULE NAME
	IN	OUT	IN	OUT		
0	0000A	0000A	00	08	20 (435)	8 PT OUTPUT MOD
1	0000A	0000A	00	00	FF (435)	EMPTY I/O SLOT
2	0000A	0000A	00	00	FF (435)	EMPTY I/O SLOT
6	0000A	0000A	00	00	FF (435)	EMPTY I/O SLOT
7	0000A	0000A	00	00	FF (435)	EMPTY I/O SLOT

Word Map

The 2432 will log into the 405 system as an 8 point output module. Since the module is a 4 point module, only the first 4 Y locations (Y0-Y3) are used. Y4-Y7 are not used.