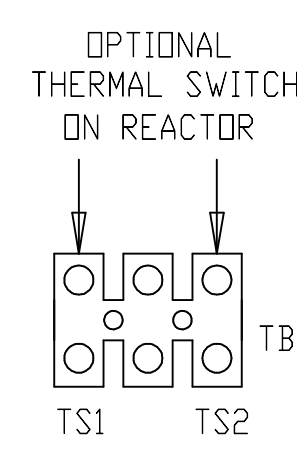
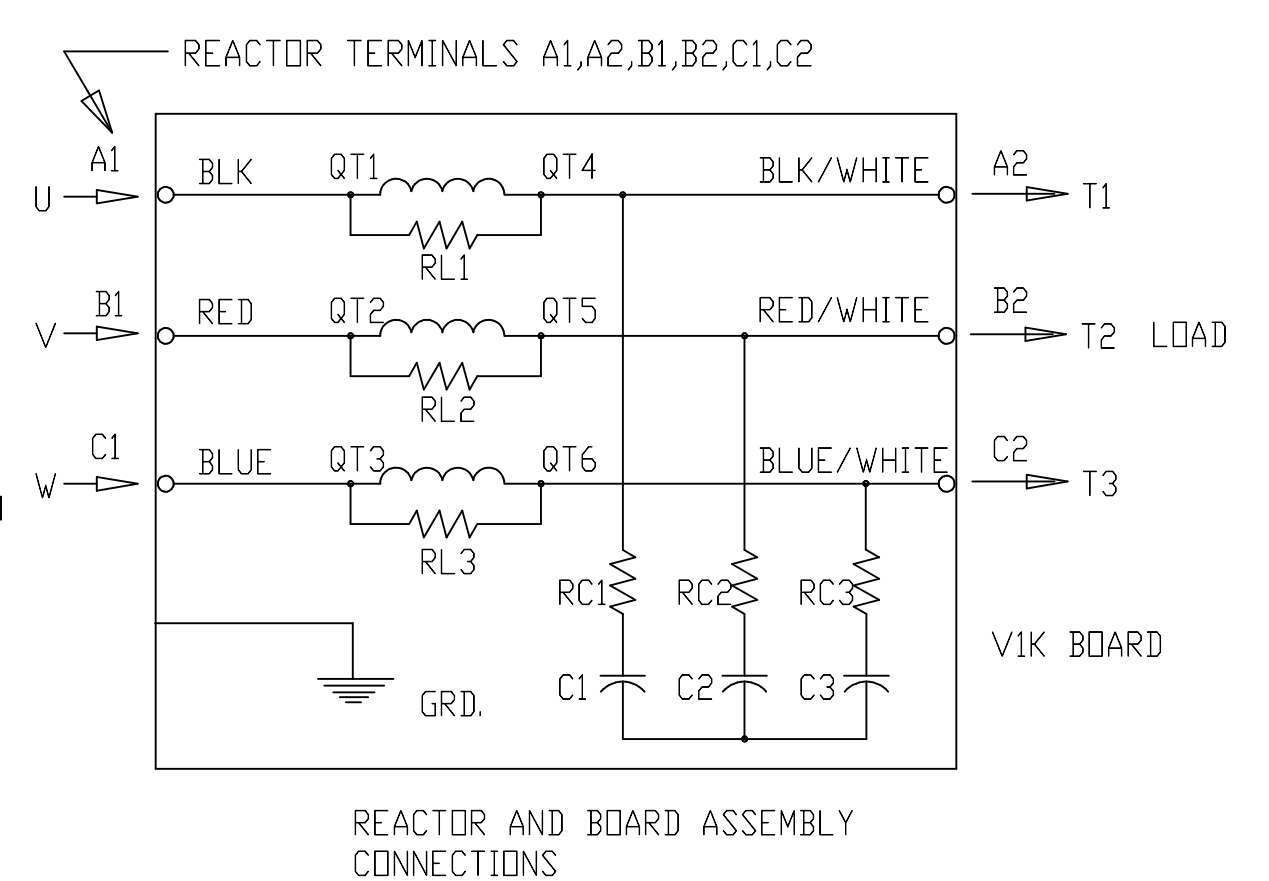
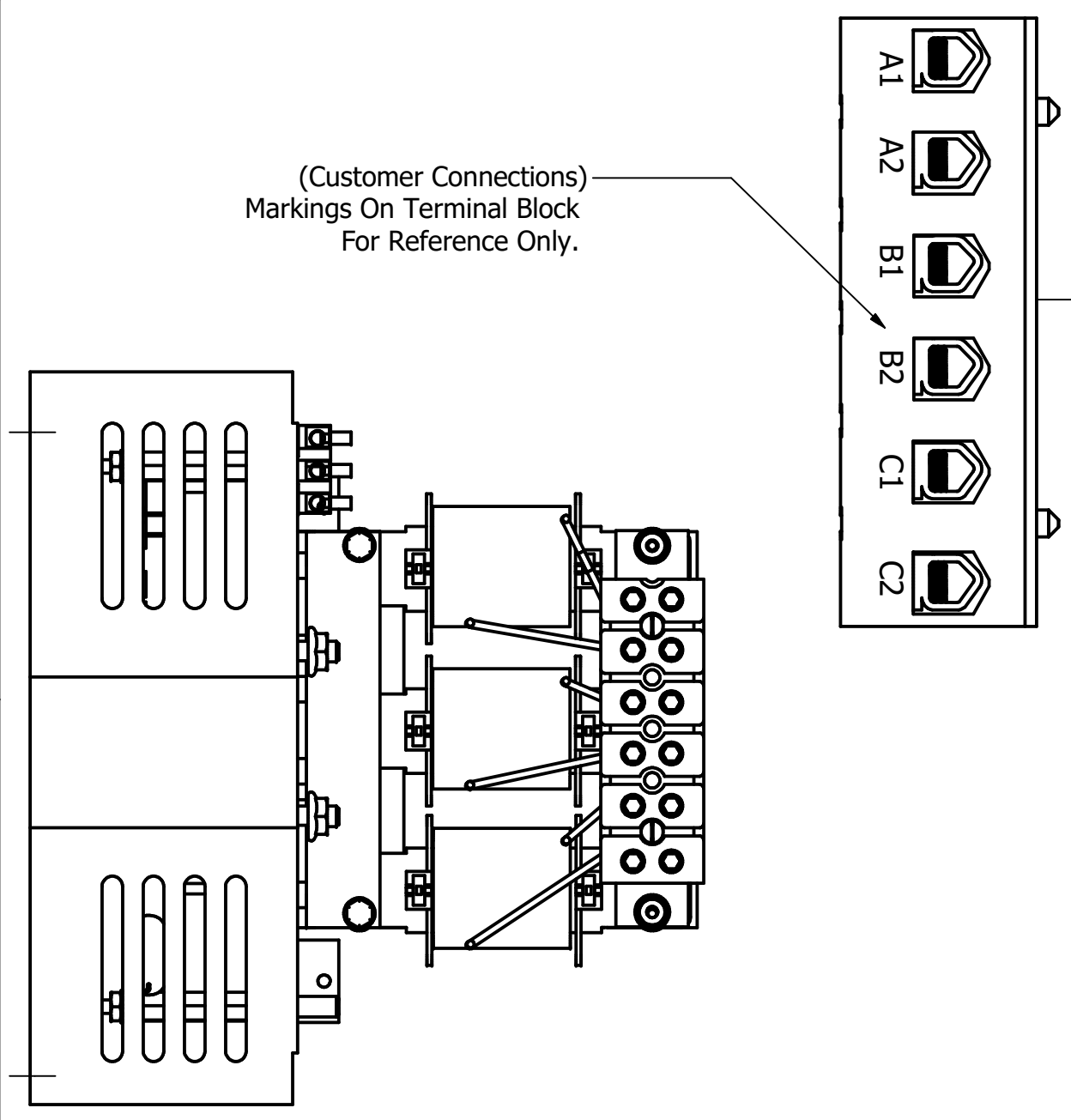
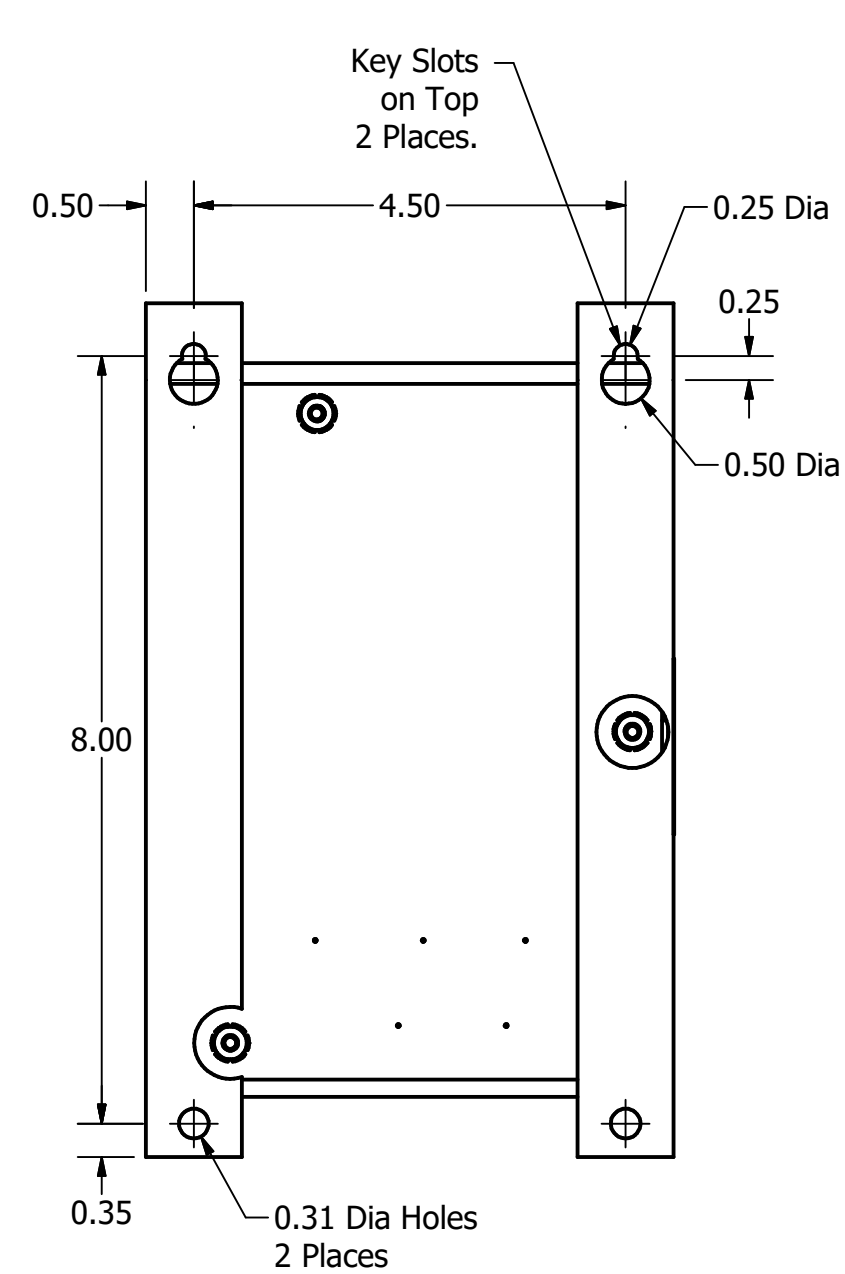
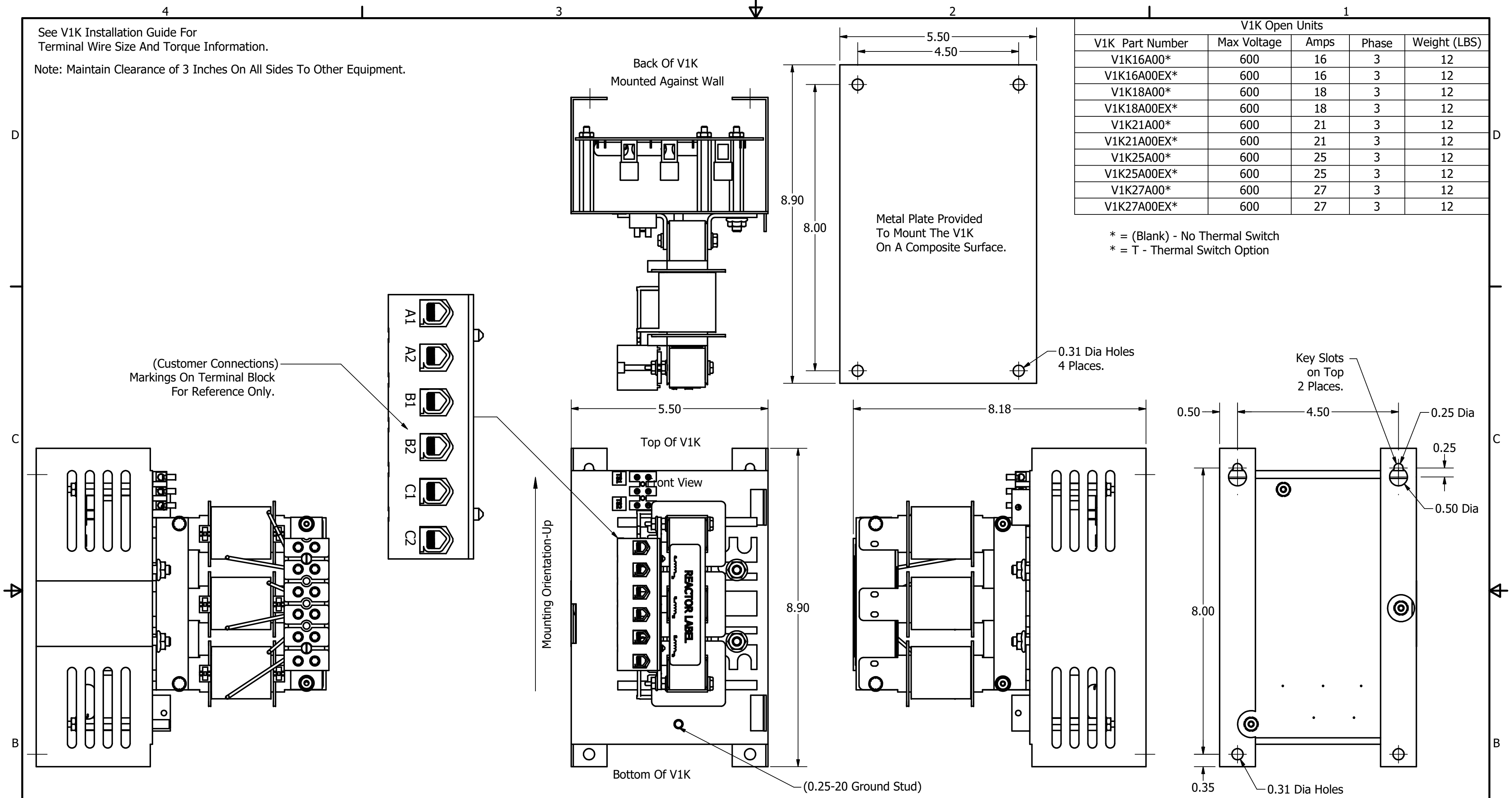


See V1K Installation Guide For Terminal Wire Size And Torque Information.


Note: Maintain Clearance of 3 Inches On All Sides To Other Equipment.

V1K Open Units				
V1K Part Number	Max Voltage	Amps	Phase	Weight (LBS)
V1K16A00*	600	16	3	12
V1K16A00EX*	600	16	3	12
V1K18A00*	600	18	3	12
V1K18A00EX*	600	18	3	12
V1K21A00*	600	21	3	12
V1K21A00EX*	600	21	3	12
V1K25A00*	600	25	3	12
V1K25A00EX*	600	25	3	12
V1K27A00*	600	27	3	12
V1K27A00EX*	600	27	3	12

* = (Blank) - No Thermal Switch
* = T - Thermal Switch Option



Customer Is Responsible For Installation to Meet All National And Local Electrical Codes. Material(s) Shall be RoHS Compliant

THE INFORMATION AND DESIGNS CONTAINED IN THIS DRAWING ARE CONFIDENTIAL AND THE PROPRIETARY PROPERTY OF ALLIED MOTION TECHNOLOGIES INC. AND ITS SUBSIDIARIES. NEITHER THIS DESIGN NOR ANY INFORMATION CONTAINED IN THIS DRAWING MAY BE REPRODUCED OR DISCLOSED TO OTHERS WITHOUT THE EXPRESS WRITTEN CONSENT OF ALLIED MOTION TECHNOLOGIES INC. AND ITS SUBSIDIARIES.	REVISION	DATE	BY	TOLERANCES (EXCEPT AS NOTED)	 W132N10611 Grant Drive Germantown, WI 53022 © 2022 TCI, LLC V1K, Open 16 Amps To 27 Amps
				DECIMAL	
				FRACTIONAL	
				ANGULAR	
				DRN BY DSW	DATE 04/26/17
				SCALE TO FIT	APRVD: 102316DG
					SIZE C
					SHT 1 OF 1