

7/8-1-1/8 Knockouts 3 Places. For Customer Entry Options.

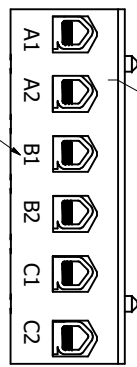
V1K Part Number	Max Voltage	Amps	Phase	Weight (LBS)
V1K16A01*	600	16	3	15
V1K16A01EX*	600	16	3	15
V1K18A01*	600	18	3	15
V1K18A01EX*	600	18	3	15
V1K21A01*	600	21	3	15
V1K21A01EX*	600	21	3	15
V1K25A01*	600	25	3	15
V1K25A01EX*	600	25	3	15
V1K27A01*	600	27	3	15
V1K27A01EX*	600	27	3	15

\* = (Blank) - No Thermal Switch  
 \* = T - Thermal Switch Option

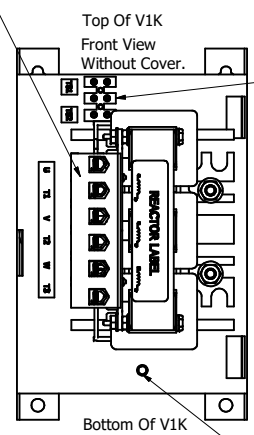
See V1K Installation Guide For Terminal Wire Size And Torque Information.

Note: Maintain Clearance of 3 Inches On All Sides To Other Equipment.

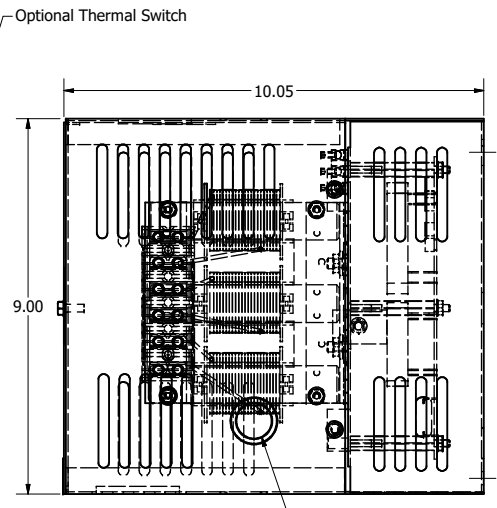
(Customer Connections) Markings On Terminal Block For Reference Only.



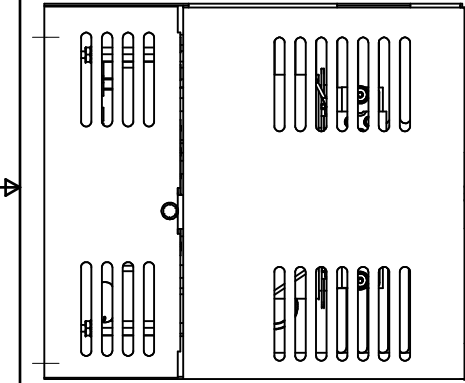
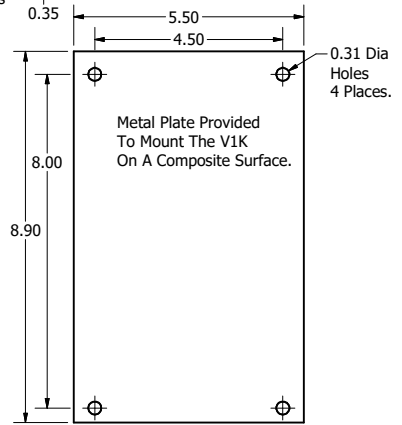
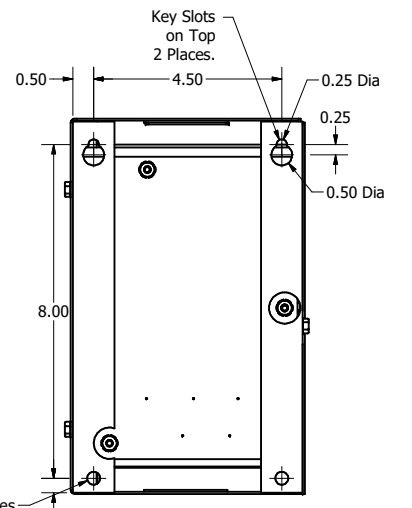
Mounting Orientation-Up



(0.25-20, Ground Stud)

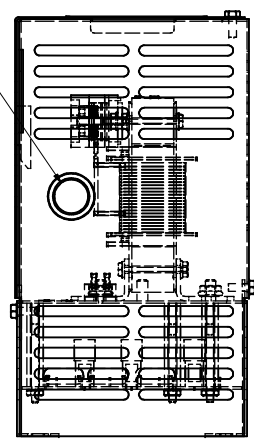


0.31 Dia Holes 2 Places




Product Label.

Information Label.



Customer Is Responsible For Installation to Meet All National And Local Electrical Codes.

Material(s) Shall be RoHS Compliant

THE INFORMATION AND DESIGNS CONTAINED IN THIS DRAWING ARE CONFIDENTIAL AND THE PROPRIETARY PROPERTY OF ALLIED MOTION TECHNOLOGIES INC. AND ITS SUBSIDIARIES. NEITHER THIS DESIGN NOR ANY INFORMATION CONTAINED IN THIS DRAWING MAY BE REPRODUCED OR DISCLOSED TO OTHERS WITHOUT THE EXPRESS WRITTEN CONSENT OF ALLIED MOTION TECHNOLOGIES INC. AND ITS SUBSIDIARIES.				TOLERANCES (EXCEPT AS NOTED) DECIMAL .XX ± .03 .XXX ± .010		 An Allied Motion Company W132N10611 (Rev. 11/16) Germantown, WI 53022 © TCI, LLC
G	6069 Added T/S Option	10/17/22	JRN	FRACTIONAL ± 1/32	VIK, Enclosed, Type 1 16 Amps To 27 Amps 102324DG	
F	4658 Rated To Max Voltage	03/04/19	JRN	ANGULAR ± 1°		DRN BY: DSW DATE: 04/26/17 SCALE: TO FIT DESIGNED BY: DSW CHECKED BY:
E	4030, Combine V1K Drawings	6/23/17	DSW			
NO	REVISION	DATE	BY			