

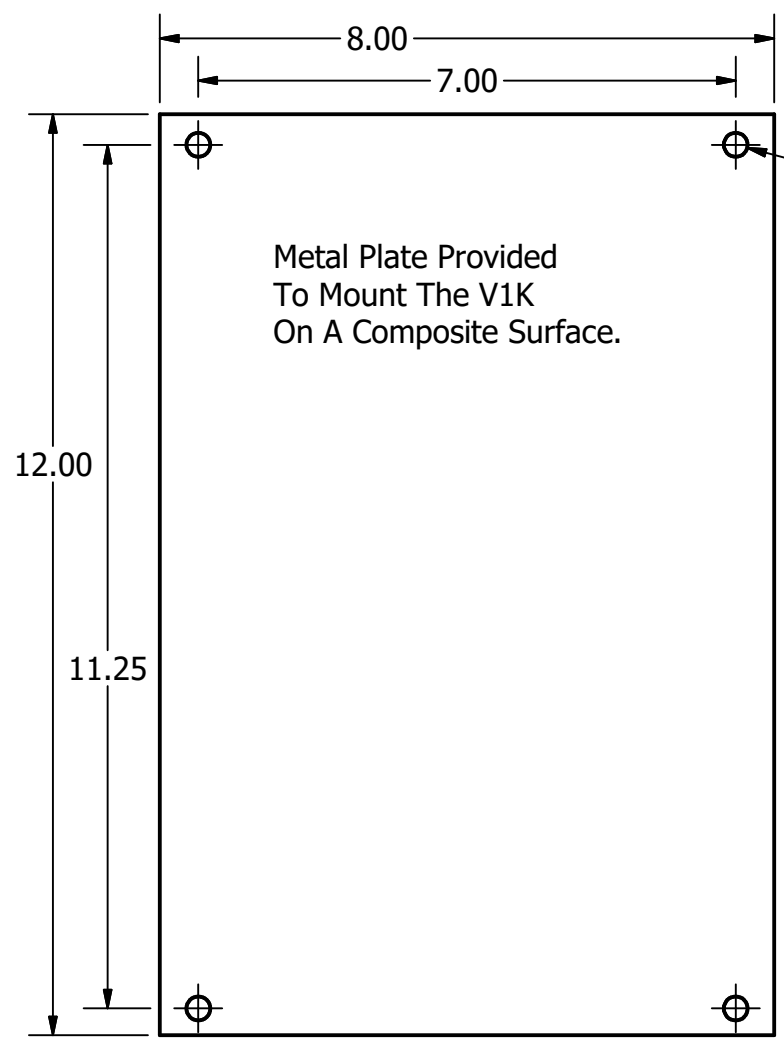
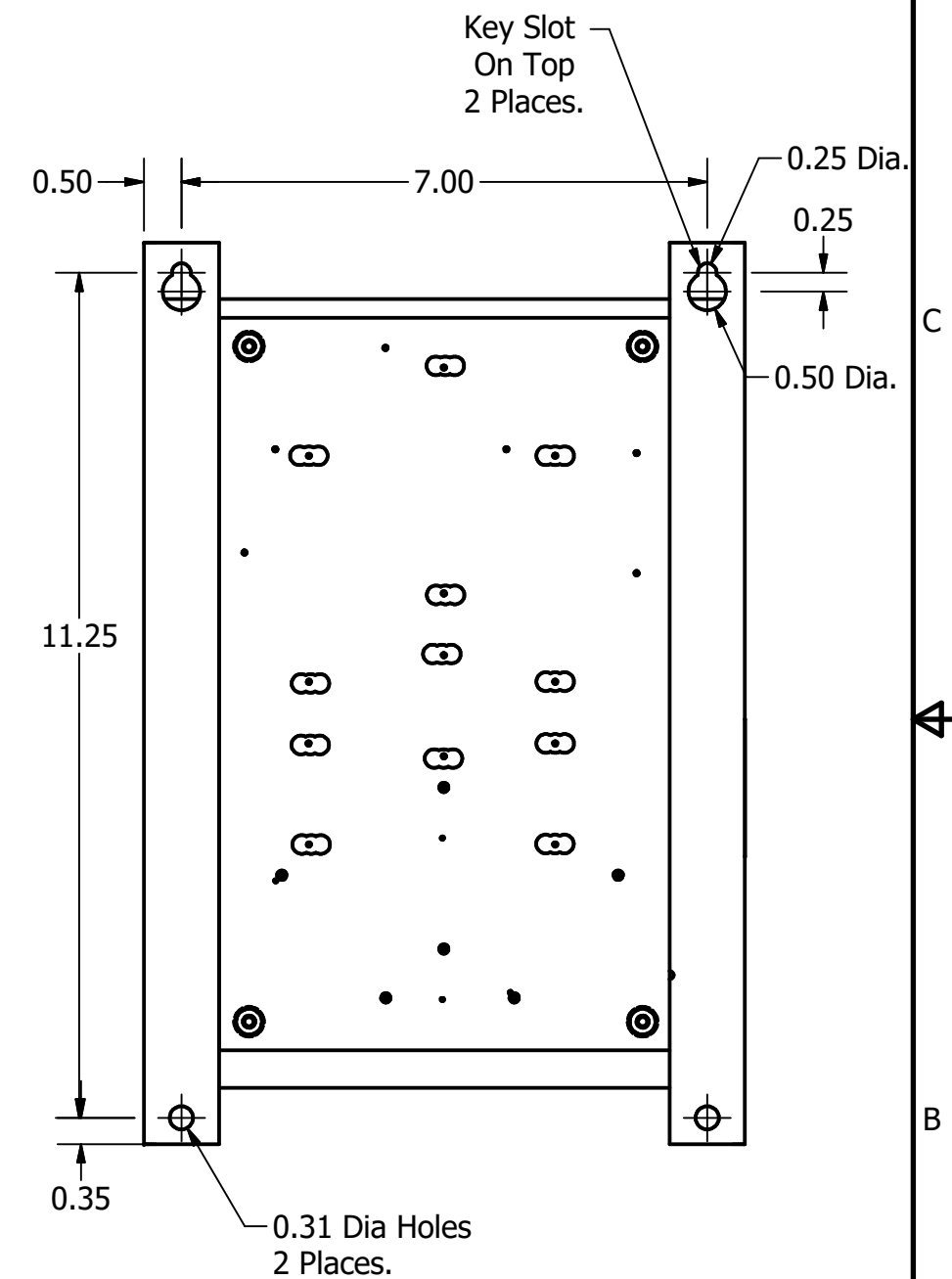
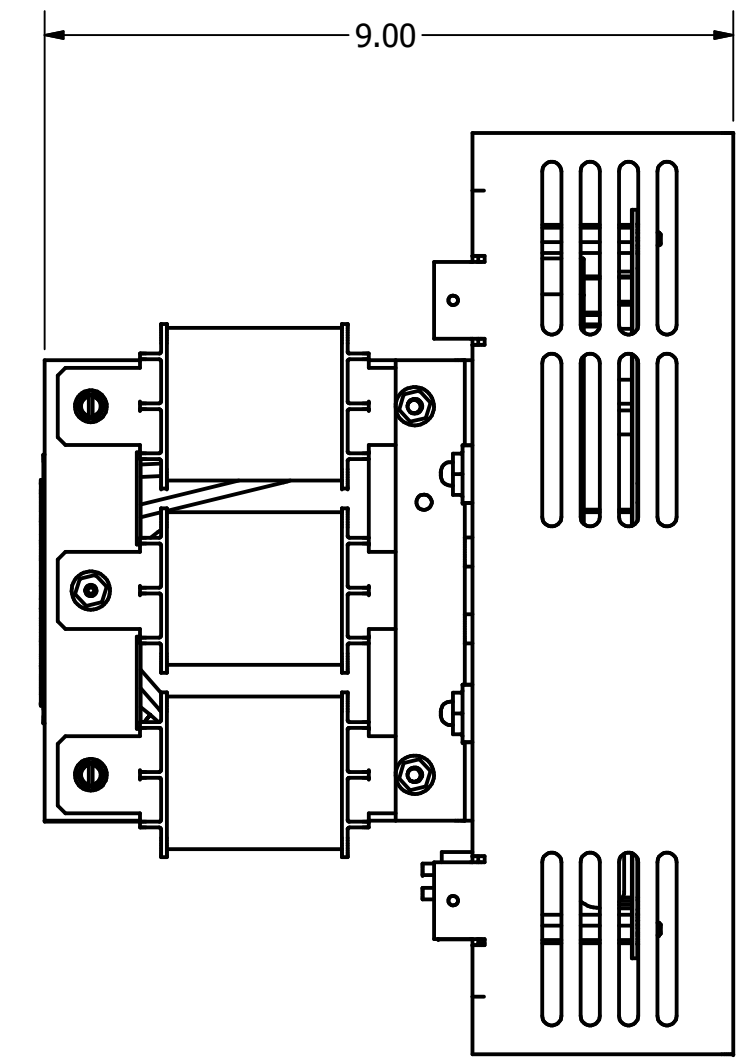
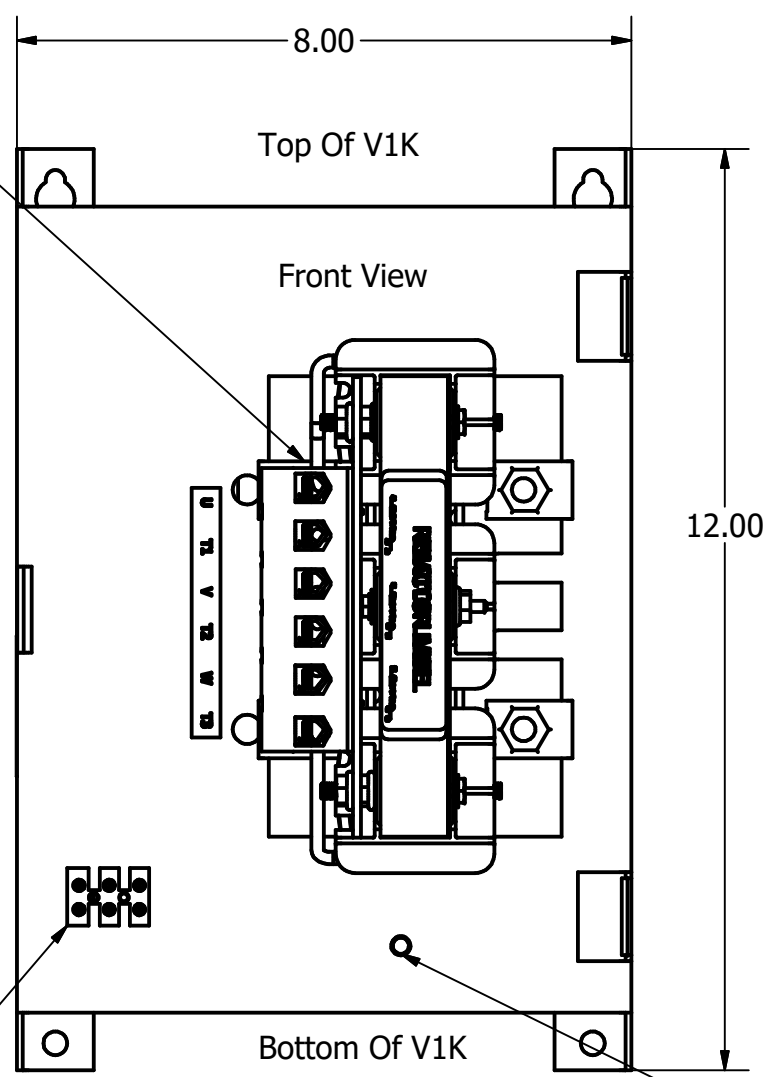
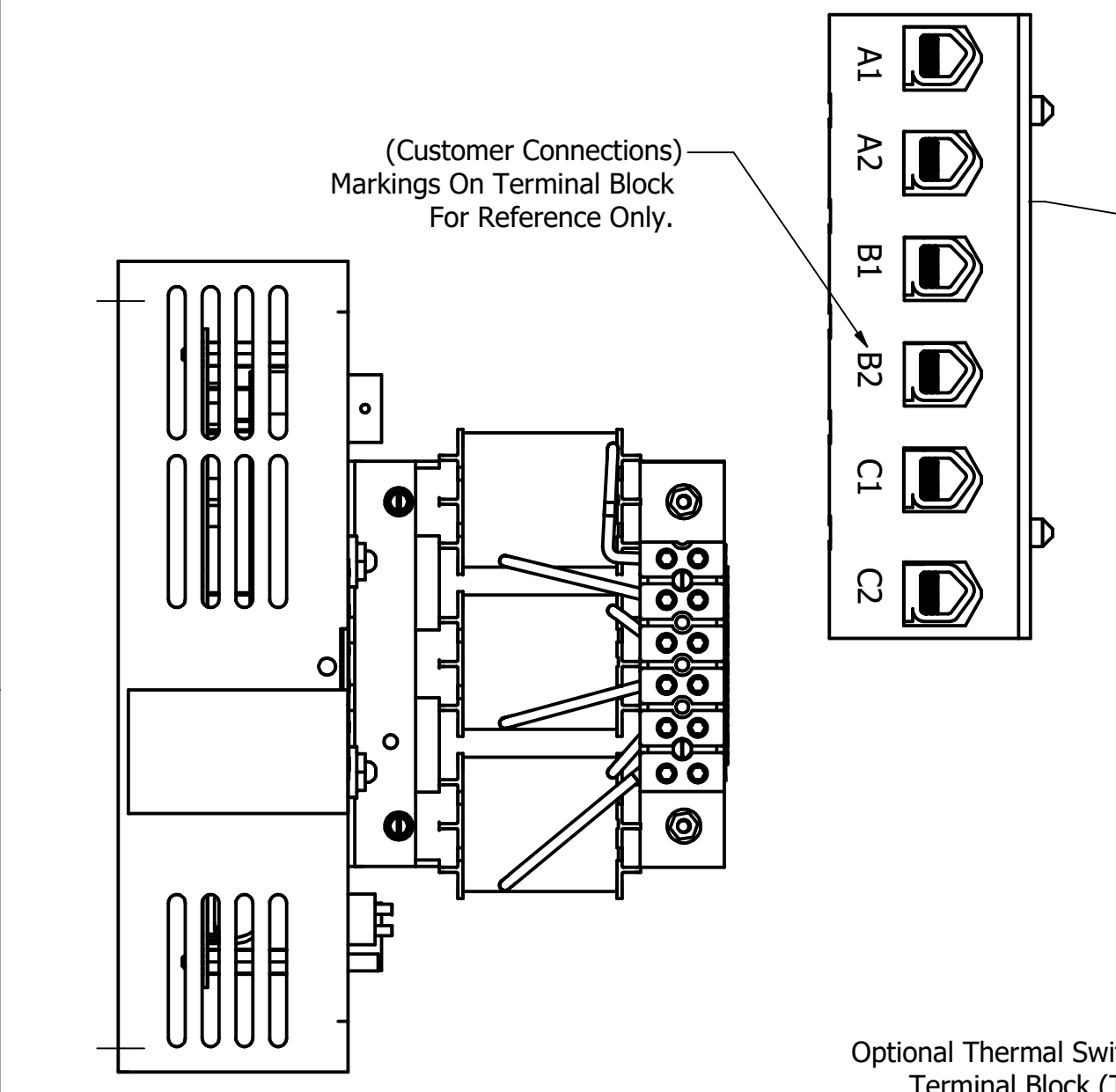
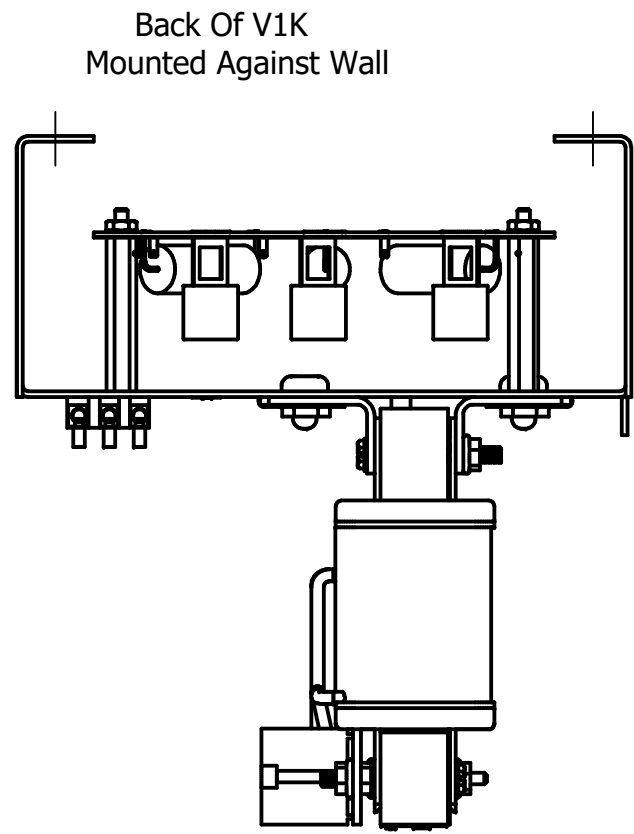
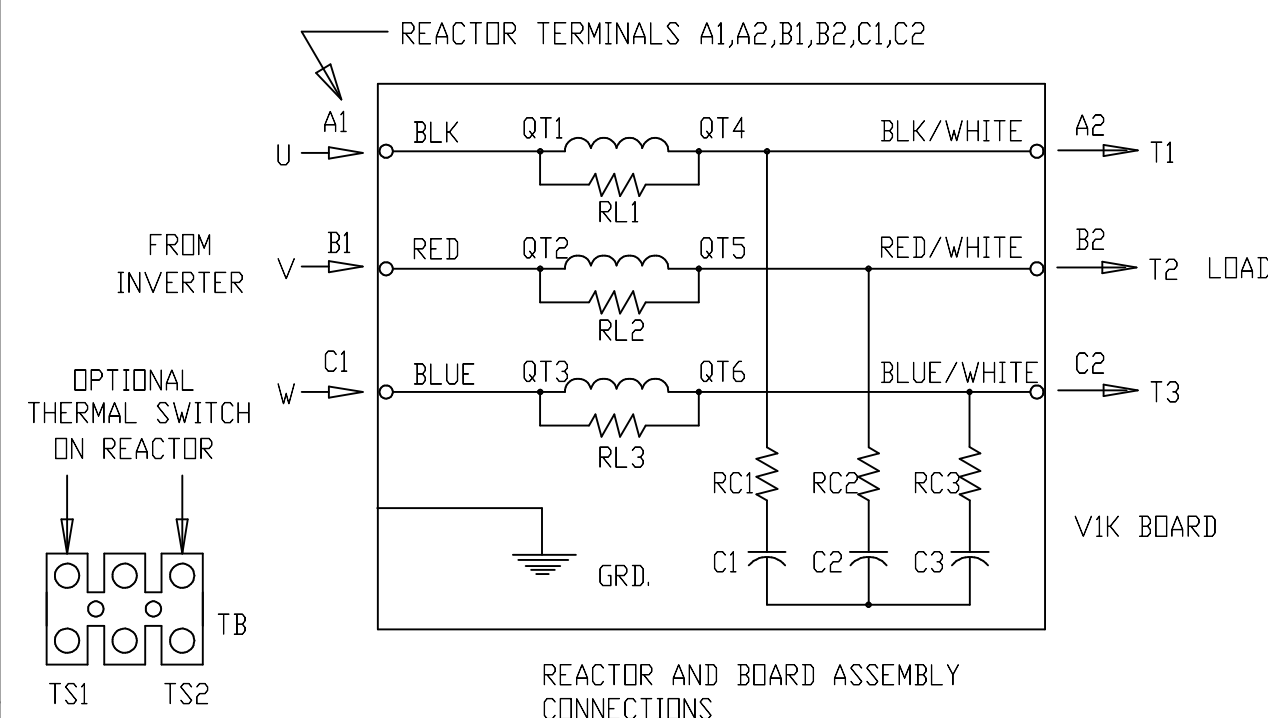
4 3 2 1

V1K Part Number	Max Voltage	Amps	Phase	Weight (LBS)
V1K35A00*	600	35	3	17
V1K35A00EX*	600	35	3	17
V1K45A00*	600	45	3	17
V1K45A00EX*	600	45	3	17
V1K55A00*	600	55	3	17
V1K55A00EX*	600	55	3	17

\* = (Blank) - No Thermal Switch  
 \* = T - Thermal Switch Option


See V1K Installation Guide For Terminal Wire Size And Torque Information.

Note: Maintain Clearance of 3 Inches On All Sides To Other Equipment.



Customer Is Responsible For Installation To Meet All National And Local Electrical Codes.

Material(s) Shall be RoHS Compliant

THE INFORMATION AND DESIGNS CONTAINED IN THIS DRAWING ARE CONFIDENTIAL AND THE PROPRIETARY PROPERTY OF ALLIED MOTION TECHNOLOGIES INC. AND ITS SUBSIDIARIES. NEITHER THIS DESIGN NOR ANY INFORMATION CONTAINED IN THIS DRAWING MAY BE REPRODUCED OR DISCLOSED TO OTHERS WITHOUT THE EXPRESS WRITTEN CONSENT OF ALLIED MOTION TECHNOLOGIES INC. AND ITS SUBSIDIARIES.				TOLERANCES (EXCEPT AS NOTED)	 W132N10611 Grant Drive Germantown, WI 53022 © 2022 TCI, LLC	
				DECIMAL		
	I	5898 Add T/S, Update Schematic	03/29/22	JRN	.XX ± .25 .XXX ± .10	V1K, Open 35 Amps To 55 Amps
	H	4658 Rated To Max Voltage	03/04/19	JRN	FRACTIONAL ± 1/32	
G	4030, Combine V1k Drawings	6/7/17	DSW	ANGULAR ± 1°	DRN BY DSW DATE 4/26/17 SCALE TO FIT APRVD: 102397DG SIZE C	
NO	REVISION	DATE	BY		SHT. 1 OF 1	

4 3 2 1