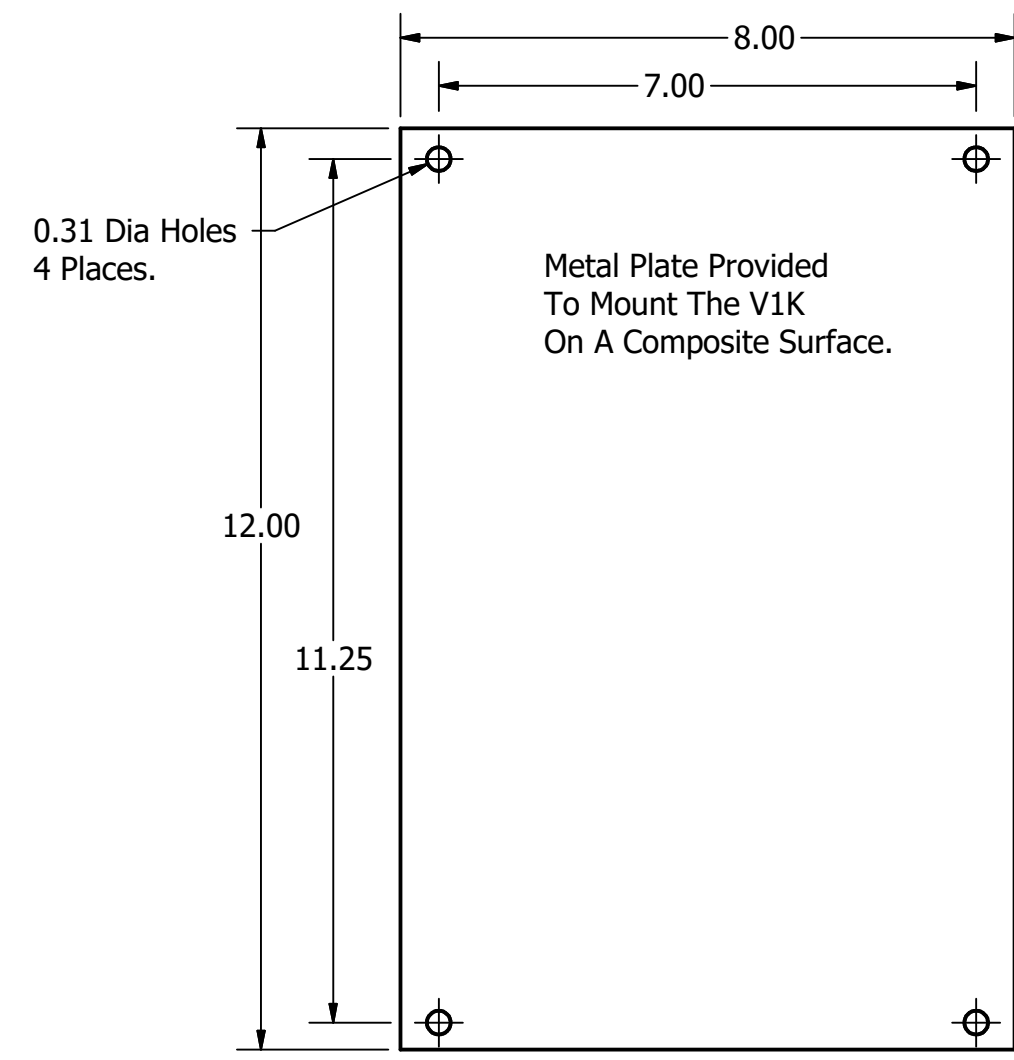
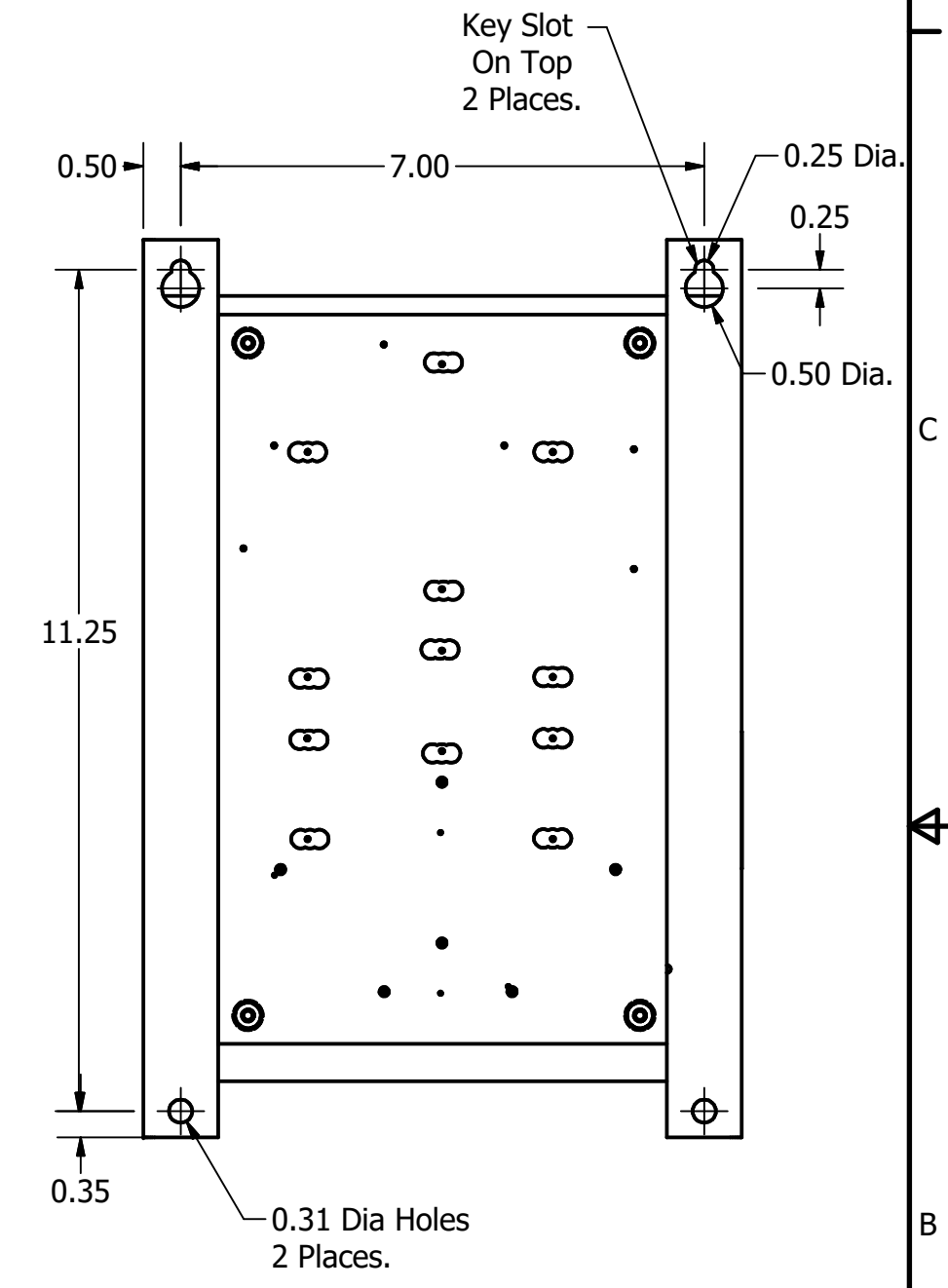
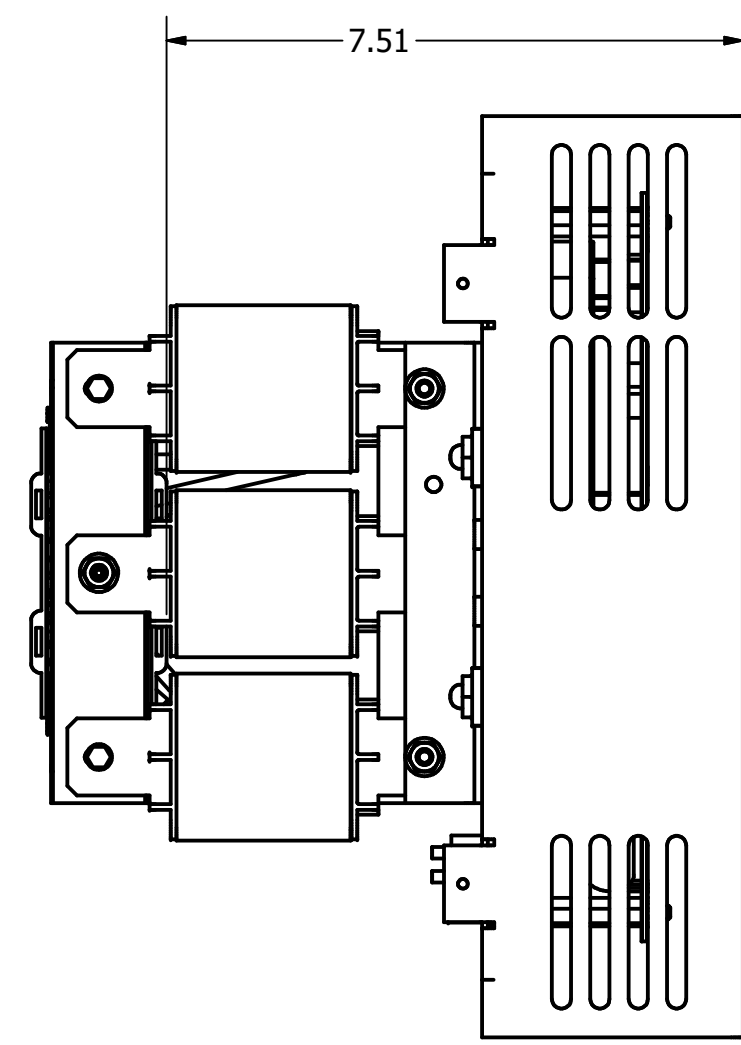
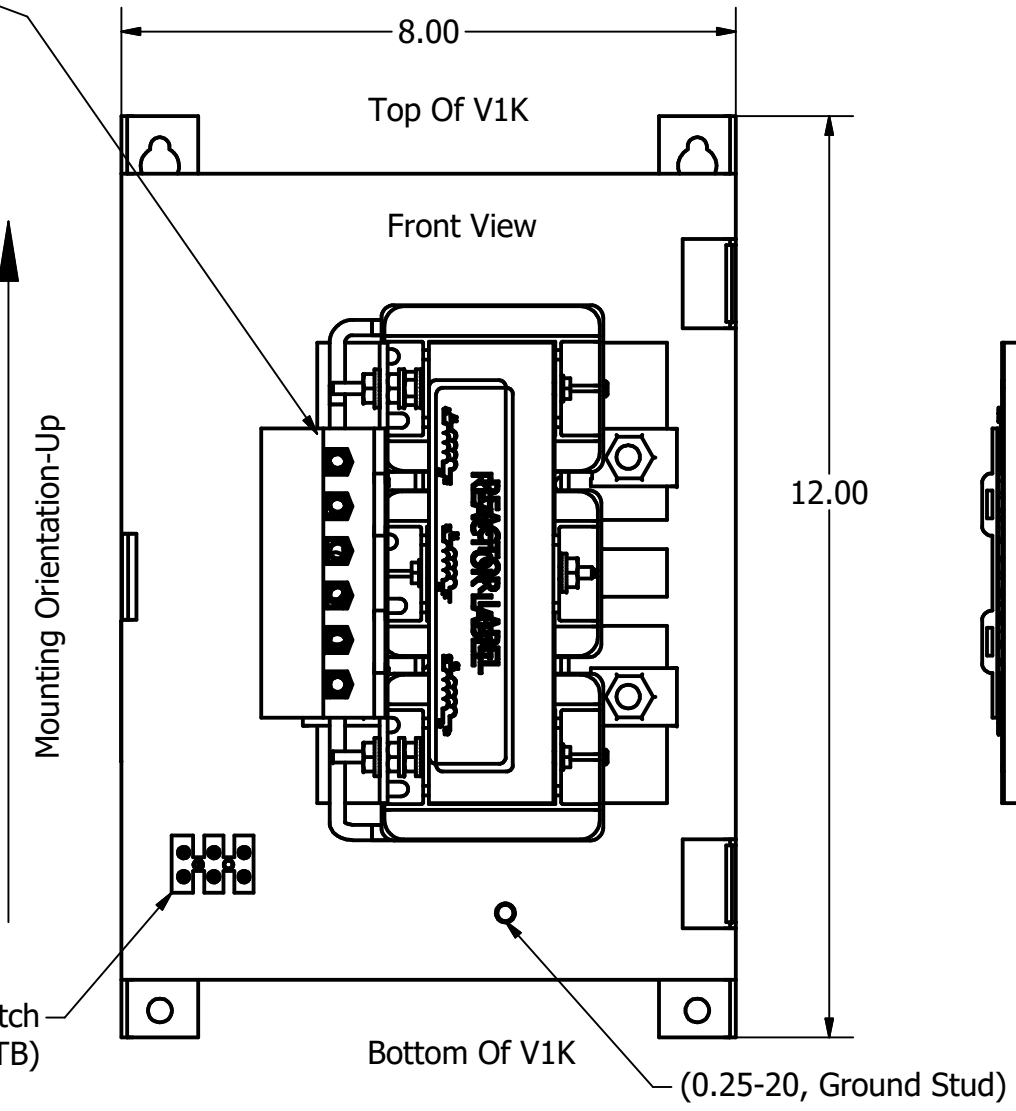
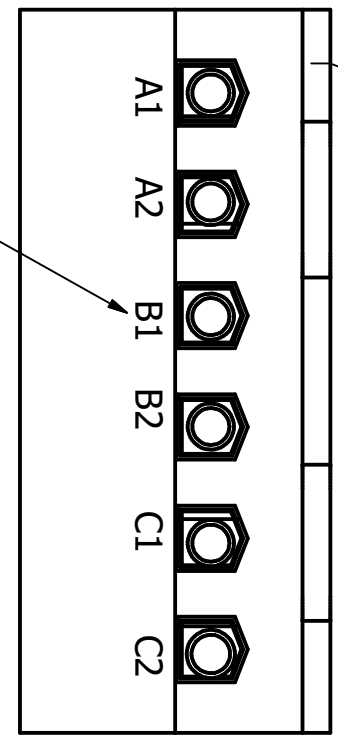
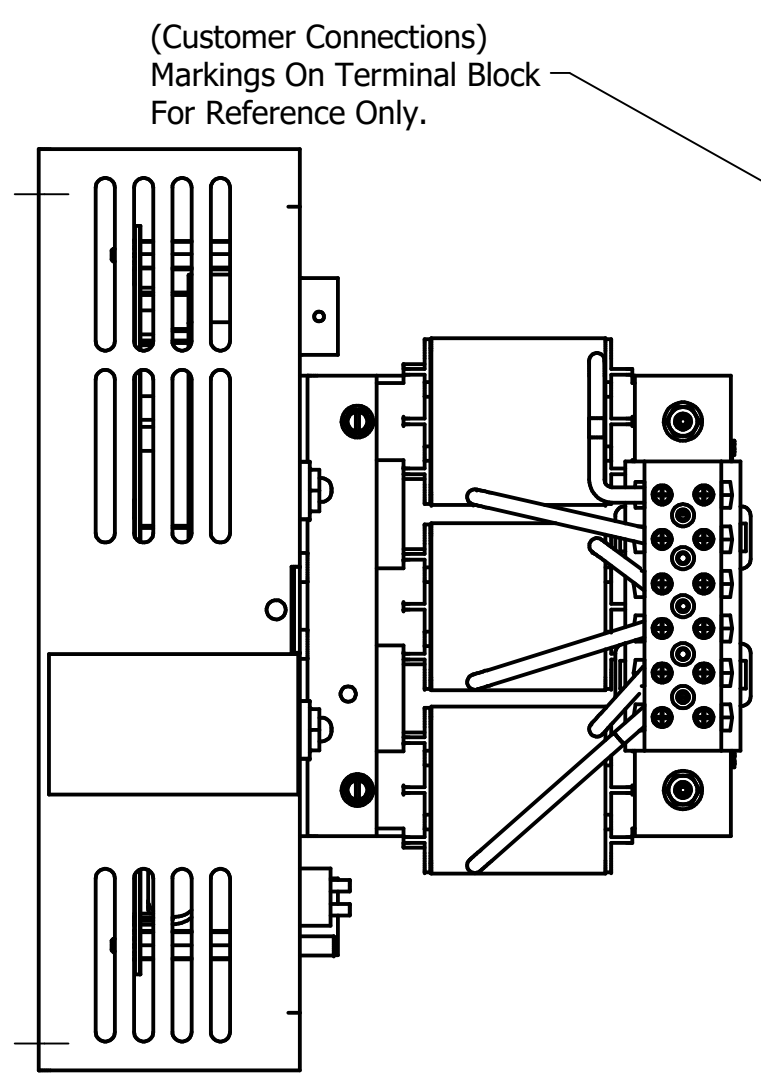
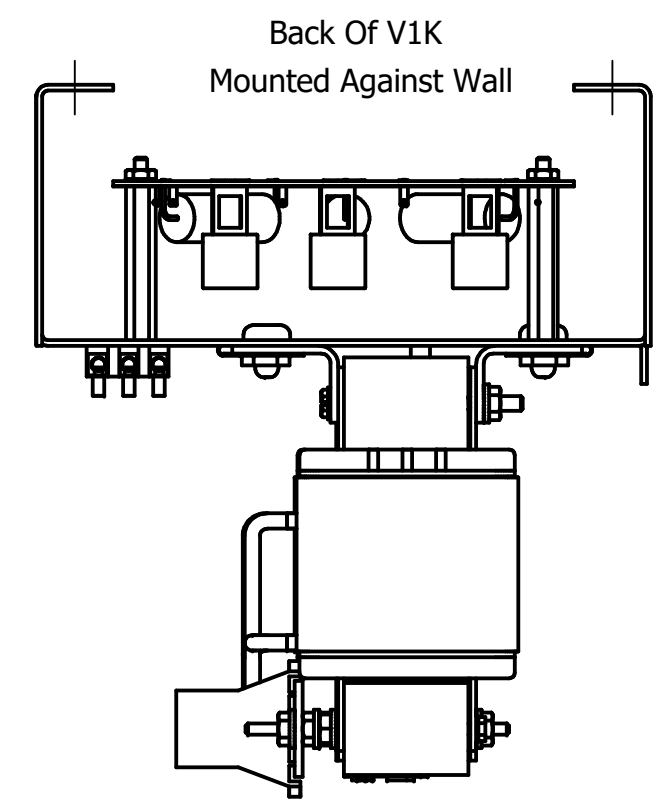
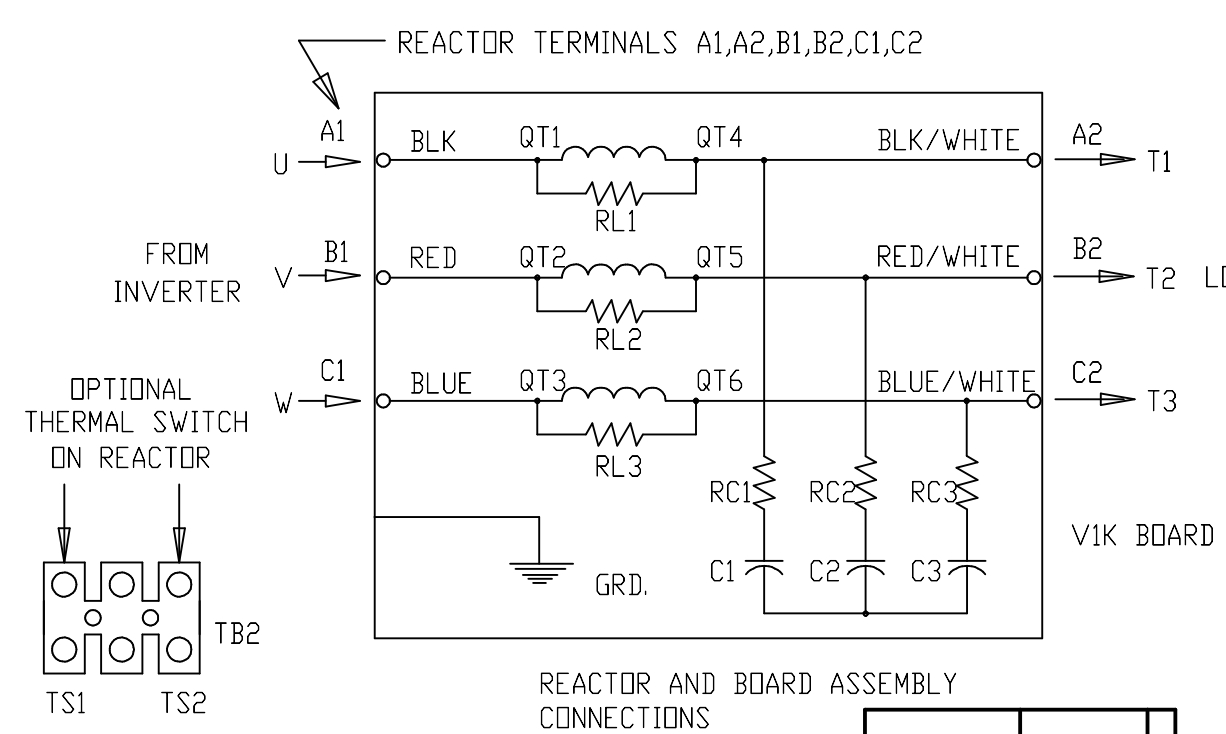


V1K Part Number	Max Voltage	Amps	Phase	Weight (LBS)
V1K80A00*	600	80	3	23
V1K80A00EX*	600	80	3	23

* = (Blank) - No Thermal Switch
 * = T - Thermal Switch Option


See V1K Installation Guide For Terminal Wire Size And Torque Information.

Note: Maintain Clearance of 3 Inches On All Sides To Other Equipment.



Customer Is Responsible For Installation to Meet All National And Local Electrical Codes.

Material(s) Shall be RoHS Compliant

THE INFORMATION AND DESIGNS CONTAINED IN THIS DRAWING ARE CONFIDENTIAL AND THE PROPRIETARY PROPERTY OF ALLIED MOTION TECHNOLOGIES INC. AND ITS SUBSIDIARIES. NEITHER THIS DESIGN NOR ANY INFORMATION CONTAINED IN THIS DRAWING MAY BE REPRODUCED OR DISCLOSED TO OTHERS WITHOUT THE EXPRESS WRITTEN CONSENT OF ALLIED MOTION TECHNOLOGIES INC. AND ITS SUBSIDIARIES.				TOLERANCES (EXCEPT AS NOTED)	 W132N10611 Grant Drive Germantown, WI 53022 © 2022 TCI, LLC	
				DECIMAL		
	I	5898 Add T/S, Update Schematic	03/29/22	JRN		.XX ± .25 .XXX ± .10
	H	4658 Rated To Max Voltage	03/04/19	JRN		FRACTIONAL ± 1/32
	G	4030, Combine V1k Drawings	6/7/17	DSW		ANGULAR ± 1°
NO	REVISION	DATE	BY		V1k, Open 80 Amp DRN BY DSW DATE 4/26/17 102400DG SCALE: TO FIT APRVD: SIZE C SHT 1 OF 1	