

4

3

2

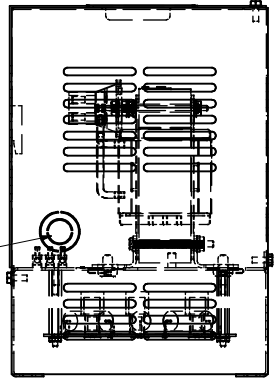
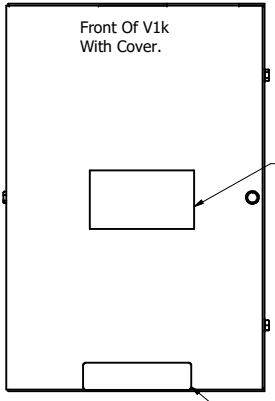
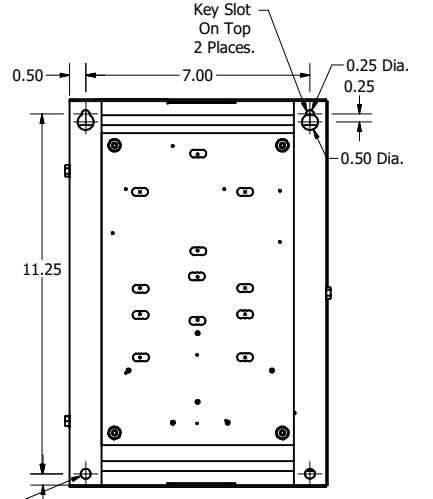
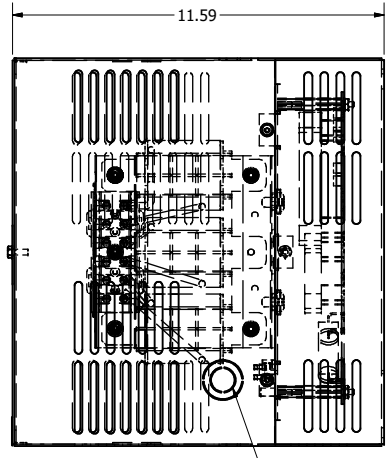
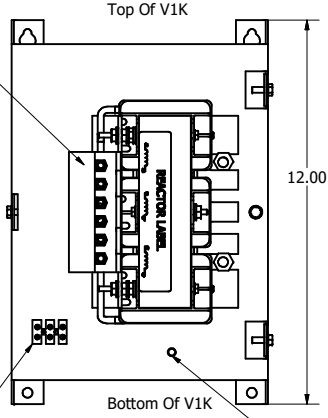
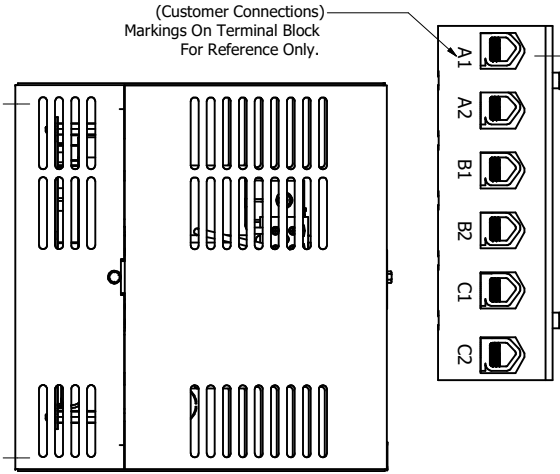
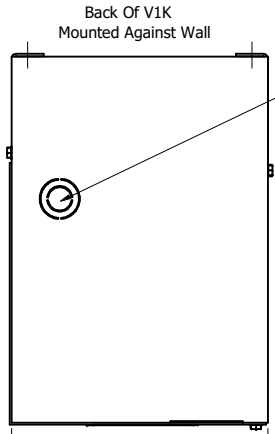
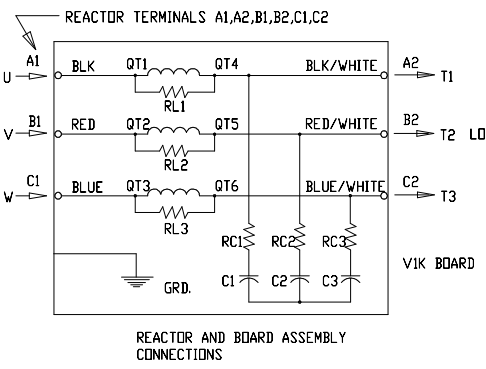
1

V1K Part Number	Max Voltage	Amps	Phase	Weight (LBS)
V1K80A01*	600	80	3	29
V1K80A01EX*	600	80	3	29


* = (Blank) - No Thermal Switch
 * = T - Thermal Switch Option

See V1K Installation Guide For Terminal Wire Size And Torque Information.

Note: Maintain Clearance of 3 Inches On All Sides To Other Equipment.



Customer Is Responsible For Installation to Meet All National And Local Electrical Codes.
 Material(s) Shall be RoHS Compliant

THE INFORMATION AND DESIGNS CONTAINED IN THIS DRAWING ARE CONFIDENTIAL AND THE PROPRIETARY PROPERTY OF ALLIED MOTION TECHNOLOGIES INC. AND ITS SUBSIDIARIES. NEITHER THIS DESIGN NOR ANY INFORMATION CONTAINED IN THIS DRAWING MAY BE REPRODUCED OR DISCLOSED TO OTHERS WITHOUT THE EXPRESS WRITTEN CONSENT OF ALLIED MOTION TECHNOLOGIES INC. AND ITS SUBSIDIARIES.				TOLERANCES (EXCEPT AS NOTED) DECIMAL .XX ± .25 .XXX ± .10		 TCI <i>An Allied Motion Company</i> V1K, Enclosed, Type 1 80 Amps	W132N10611 (Rev. 11/16) Germantown, WI 53022 © 2022 TCI, LLC
H	\$898 Add T/S Option, Update Schematic	04/05/22	JRN	FRACTIONAL ± 1/32	DRN BY: DSW DATE: 4/26/17		102406DG
G	4658 Rated To Max Voltage	03/04/19	JRN	ANGULAR ± 1°	SCALE: TO FIT		
T	4030, Combine, Update V1K Drawings	6/23/17	DSW				
NO	REVISION	DATE	BY				

4

3

2

1

SHT 1 OF 1