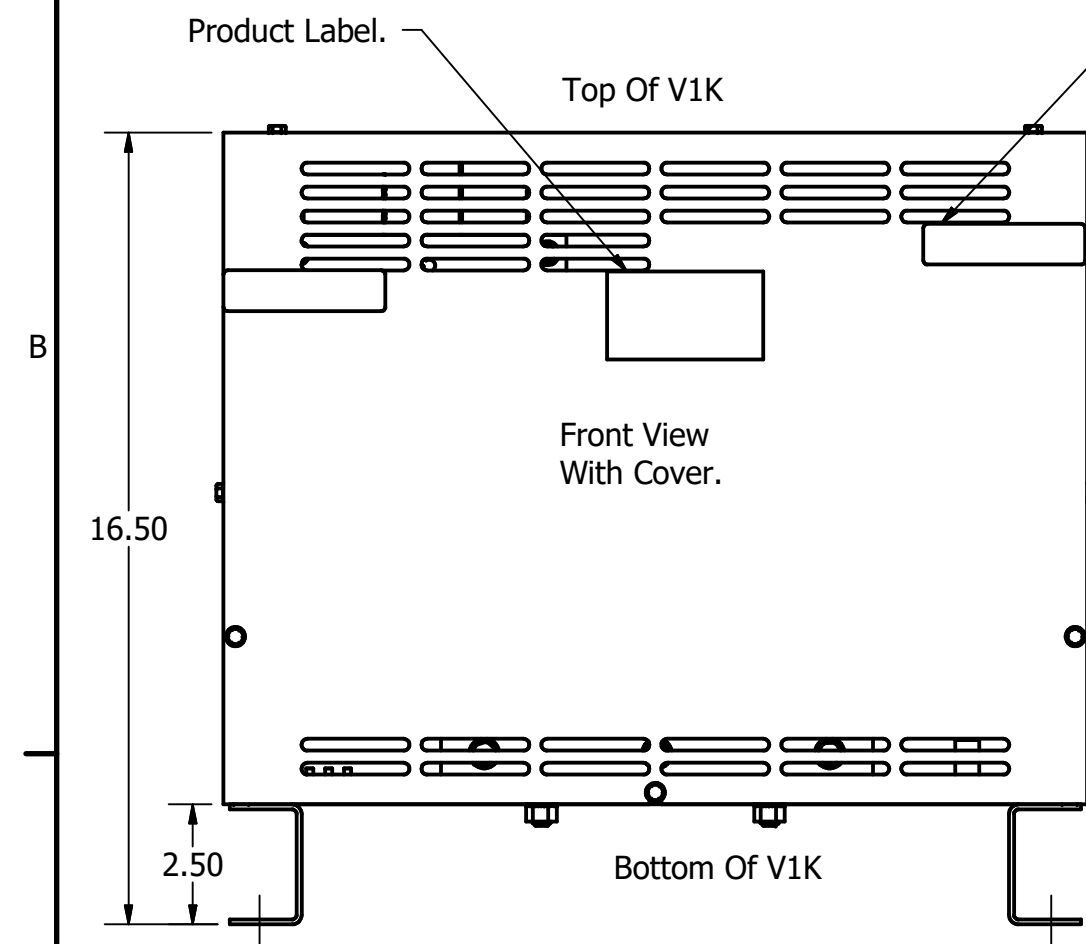
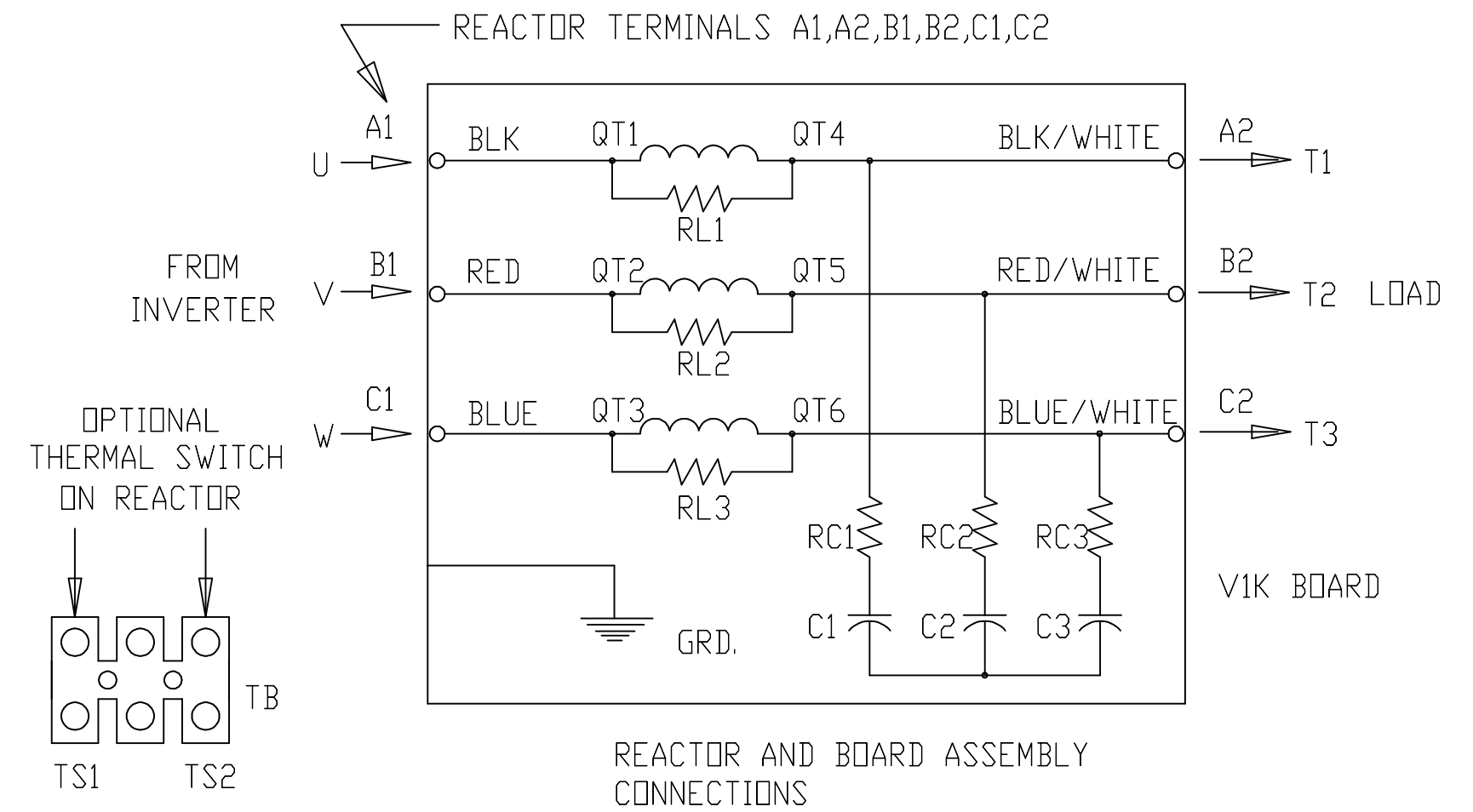


See V1K Installation Guide For Terminal Wire Size And Torque Information.
 Note: Maintain Clearance of 3 Inches On All Sides To Other Equipment.

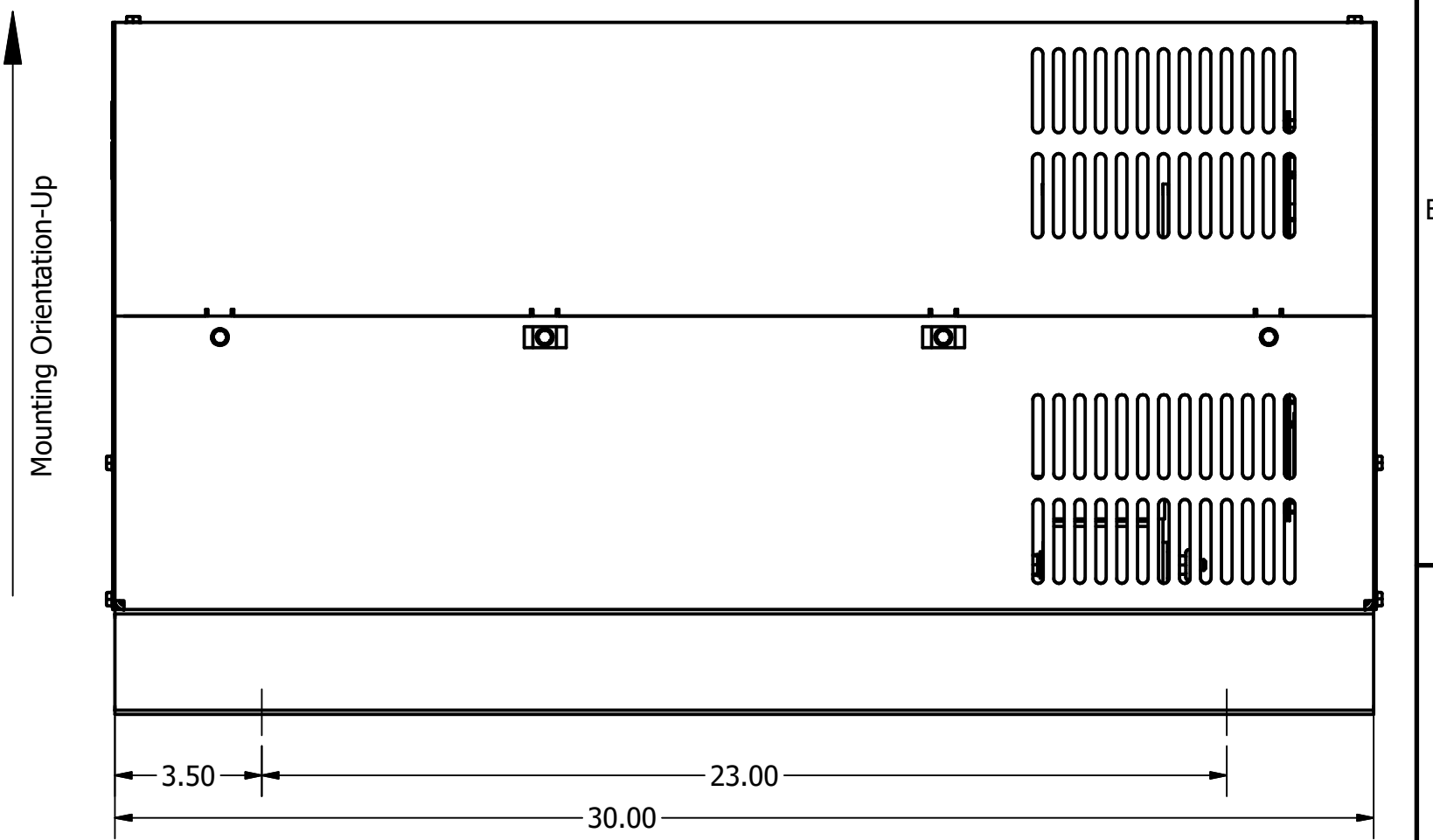
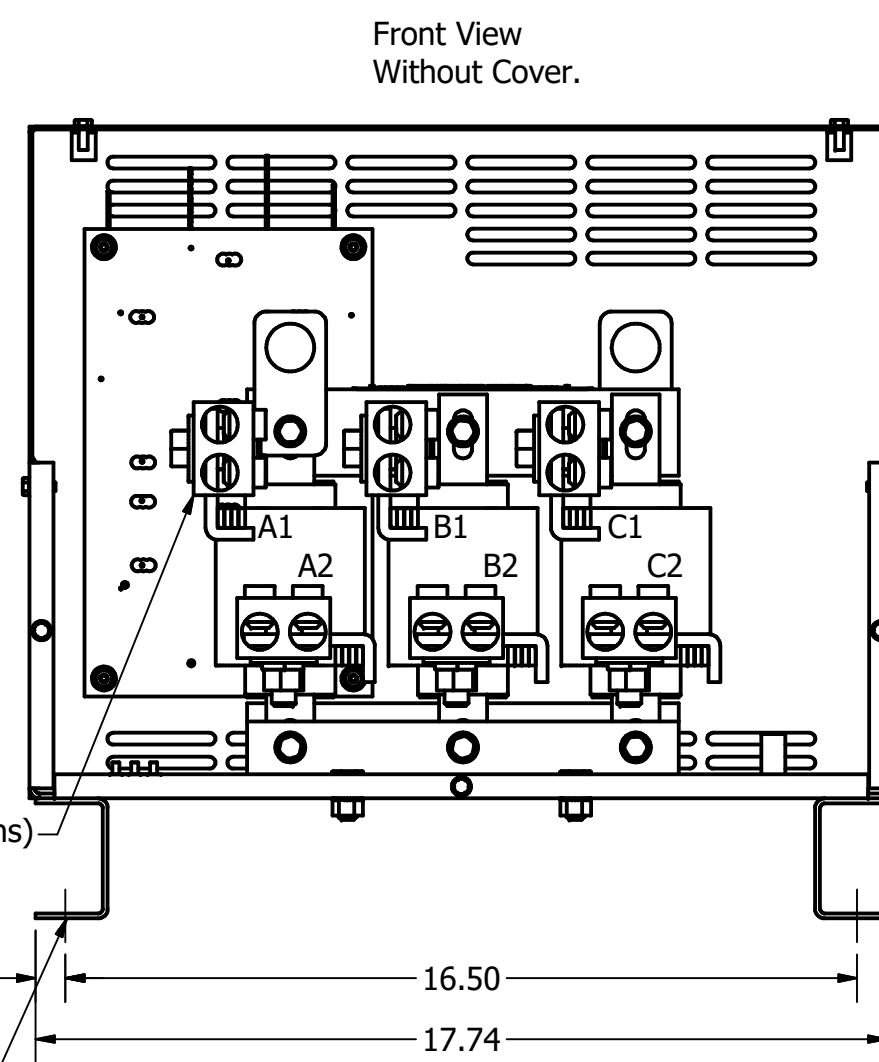
V1K Part Number	Max Voltage	Amps	Phase	Weight (LBS)
V1K305A01*	600	305	3	117
V1K305A01EX*	600	305	3	117
V1K362A01*	600	362	3	117
V1K362A01EX*	600	362	3	117

* = (Blank) - No Thermal Switch
 * = T - Thermal Switch Option



(Customer Connections) Markings On Coil For Reference Only.

0.41 Dia Mounting Holes - 4 Places.



Customer Is Responsible For Installation to Meet All National And Local Electrical Codes.

Material(s) Shall be RoHS Compliant

THE INFORMATION AND DESIGNS CONTAINED IN THIS DRAWING ARE CONFIDENTIAL AND THE PROPRIETARY PROPERTY OF ALLIED MOTION TECHNOLOGIES INC. AND ITS SUBSIDIARIES. NEITHER THIS DESIGN NOR ANY INFORMATION CONTAINED IN THIS DRAWING MAY BE REPRODUCED OR DISCLOSED TO OTHERS WITHOUT THE EXPRESS WRITTEN CONSENT OF ALLIED MOTION TECHNOLOGIES INC. AND ITS SUBSIDIARIES.

NO	REVISION	DATE	BY
K	6032 Ad T/S Option	08/31/22	JRN
I	4658 Rated To Max Voltage	03/04/19	JRN
J	4030, Combine, Update V1K Drawings	6/23/17	DSW

TOLERANCES (EXCEPT AS NOTED)	
DECIMAL	FRACTIONAL
.XX ± .25	± 1/16
.XXX ± .10	ANGULAR ± 1°

TCL W132N10611 Grant Drive
 Germantown, WI 53022
 © 2022 TCL, LLC

V1K, Enclosed, Type 1
 305 Amps, 362 Amps

DRN BY: DSW DATE: 4/26/17
 SCALE: TO FIT APRVD: 102412DG
 SIZE: C SHT 1 OF 1