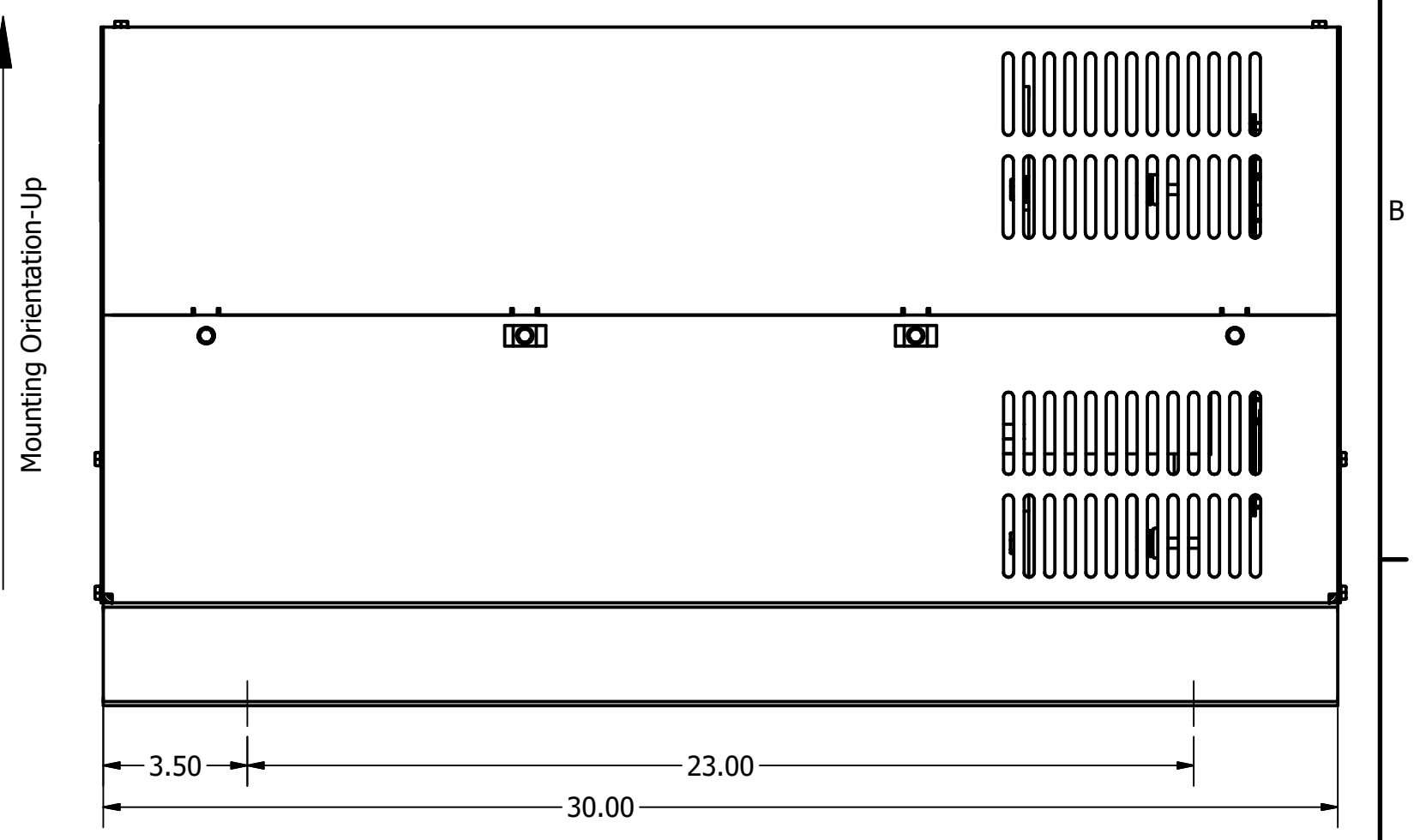
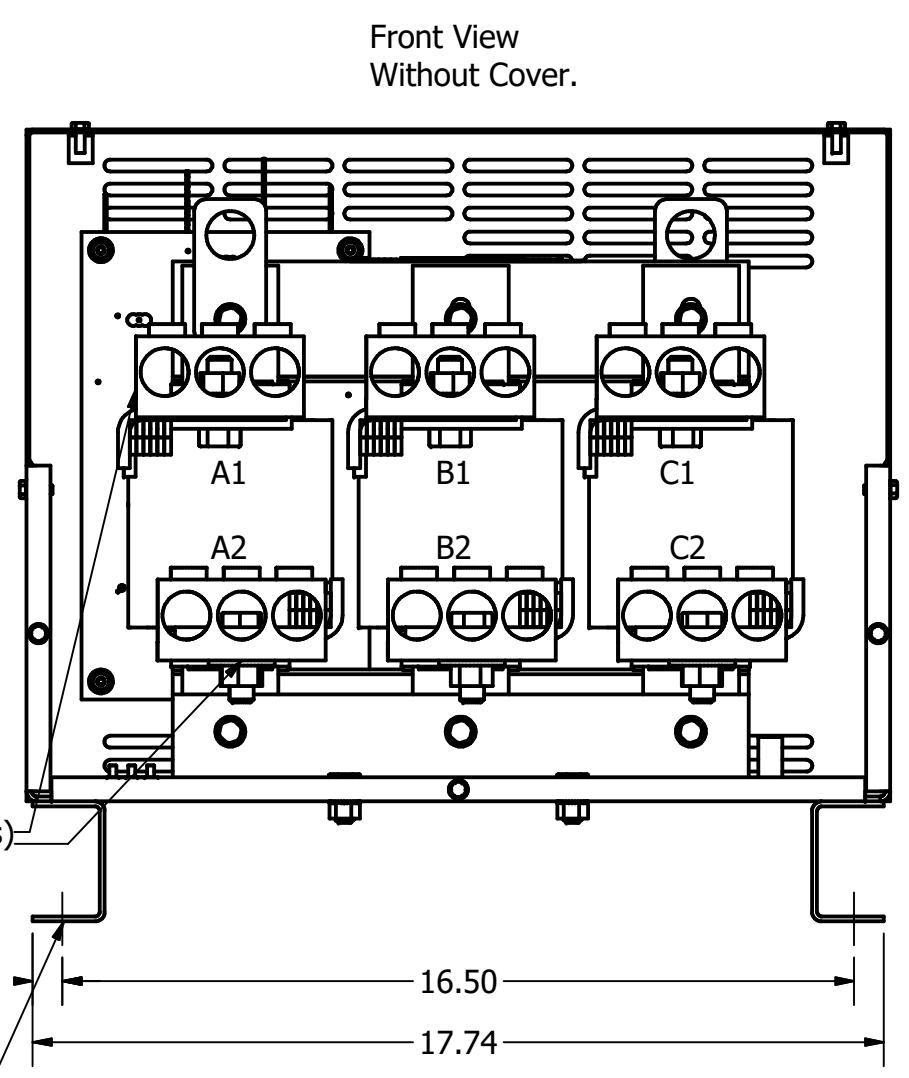
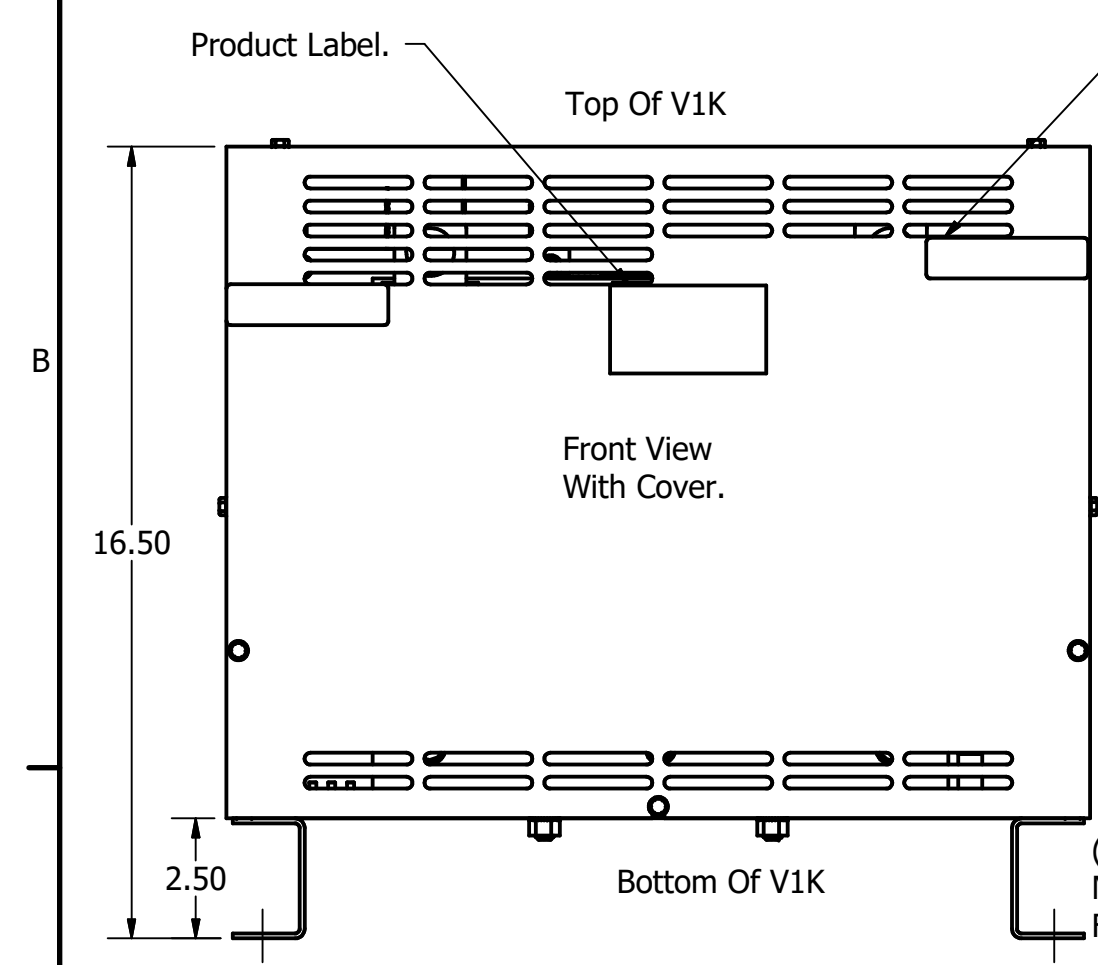
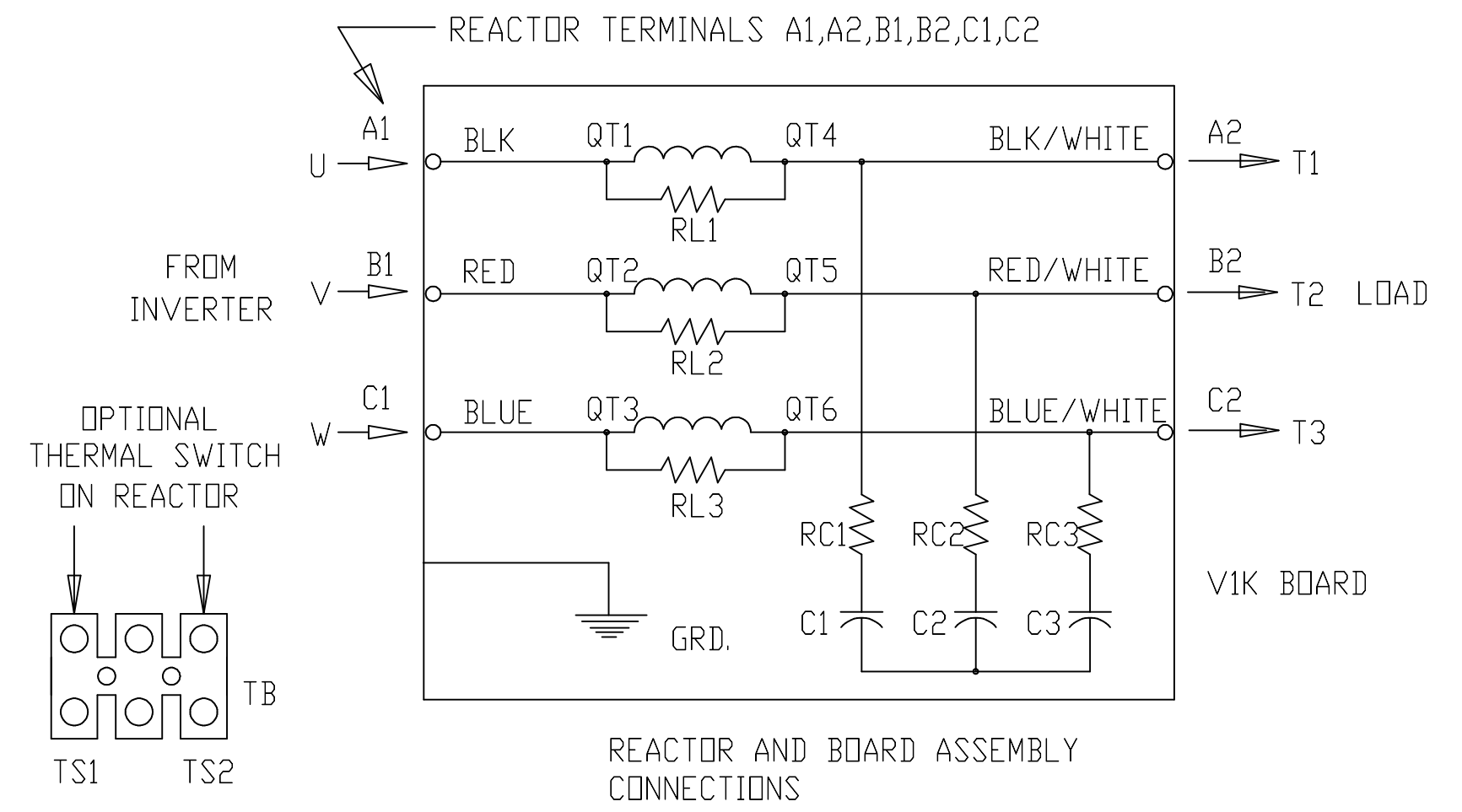


See V1K Installation Guide For Terminal Wire Size And Torque Information.

Note: Maintain Clearance of 3 Inches On All Sides To Other Equipment.

V1K Part Number	Max Voltage	Amps	Phase	Weight (LBS)
V1K750A01*	600	750	3	180
V1K750A01EX*	600	750	3	180

* = (Blank) - No Thermal Switch
 * = T - Thermal Switch Option



0.41 Dia Mounting Holes - 4 Places.

Customer Is Responsible For Installation to Meet All National And Local Electrical Codes.

Material(s) Shall be RoHS Compliant

THE INFORMATION AND DESIGNS CONTAINED IN THIS DRAWING ARE CONFIDENTIAL AND THE PROPRIETARY PROPERTY OF ALLIED MOTION TECHNOLOGIES INC. AND ITS SUBSIDIARIES. NEITHER THIS DESIGN NOR ANY INFORMATION CONTAINED IN THIS DRAWING MAY BE REPRODUCED OR DISCLOSED TO OTHERS WITHOUT THE EXPRESS WRITTEN CONSENT OF ALLIED MOTION TECHNOLOGIES INC. AND ITS SUBSIDIARIES.

NO	REVISION	DATE	BY	ANGULAR
I	6032 Added T/S Option	08/31/22	JRN	FRACTIONAL ± 1/16
H	4658 Rated To Max Voltage	03/04/19	JRN	ANGULAR ± 1°
G	4030, Combine, Update V1K Drawings	6/23/17	DSW	

TOLERANCES (EXCEPT AS NOTED)

DECIMAL .XX ± .25 .XXX ± .10

FRACTIONAL ± 1/16

ANGULAR ± 1°

SCALE TO FIT

DRN BY DSW DATE 4/26/17

APRVD: 102417DG

SIZE C

SHT 1 OF 1

TCI An Allied Motion Company

W132N10611 Grant Drive Germantown, WI 53022 © 2022 TCI, LLC

V1K, Enclosed, Type 1 750 Amps