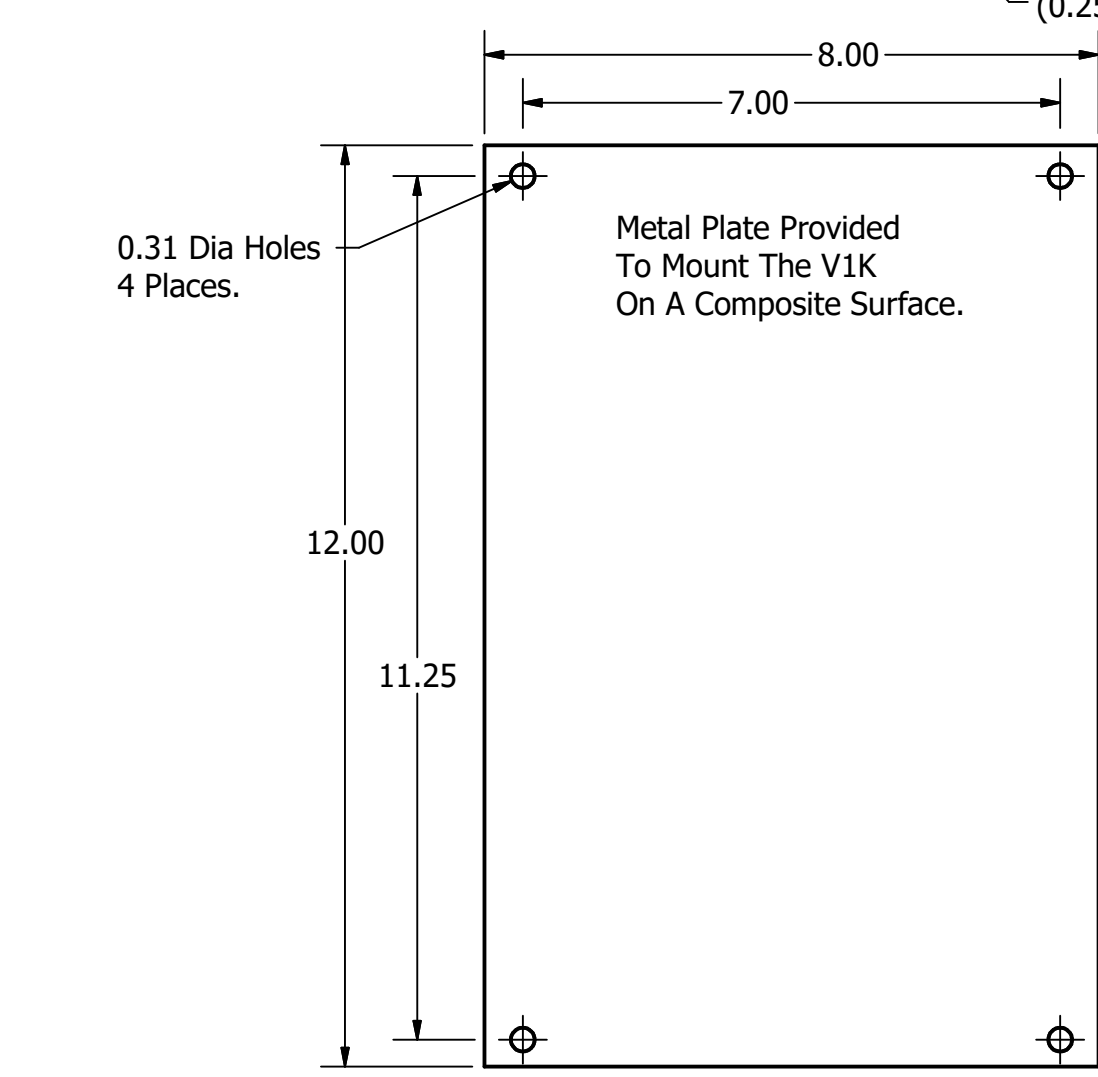
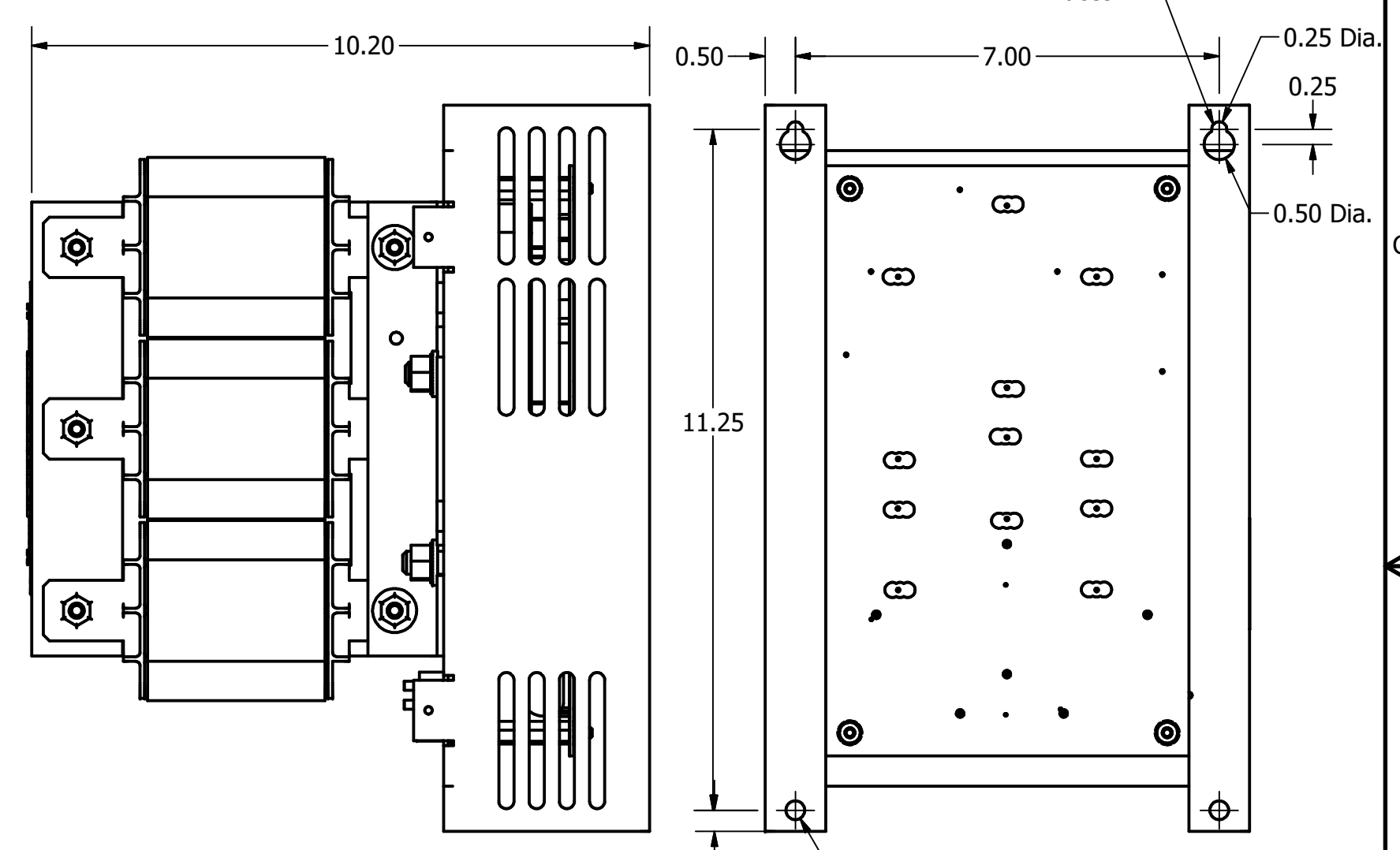
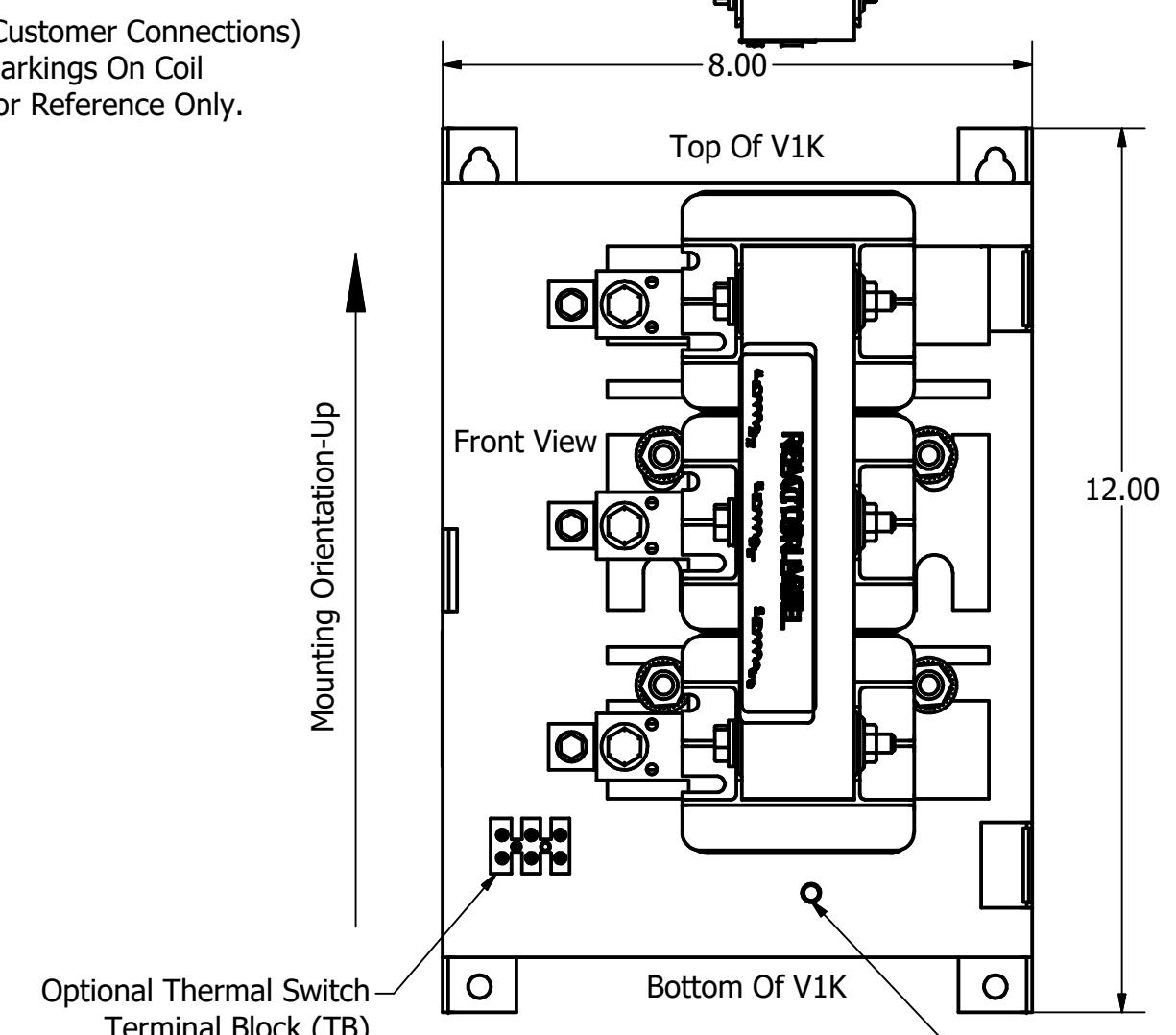
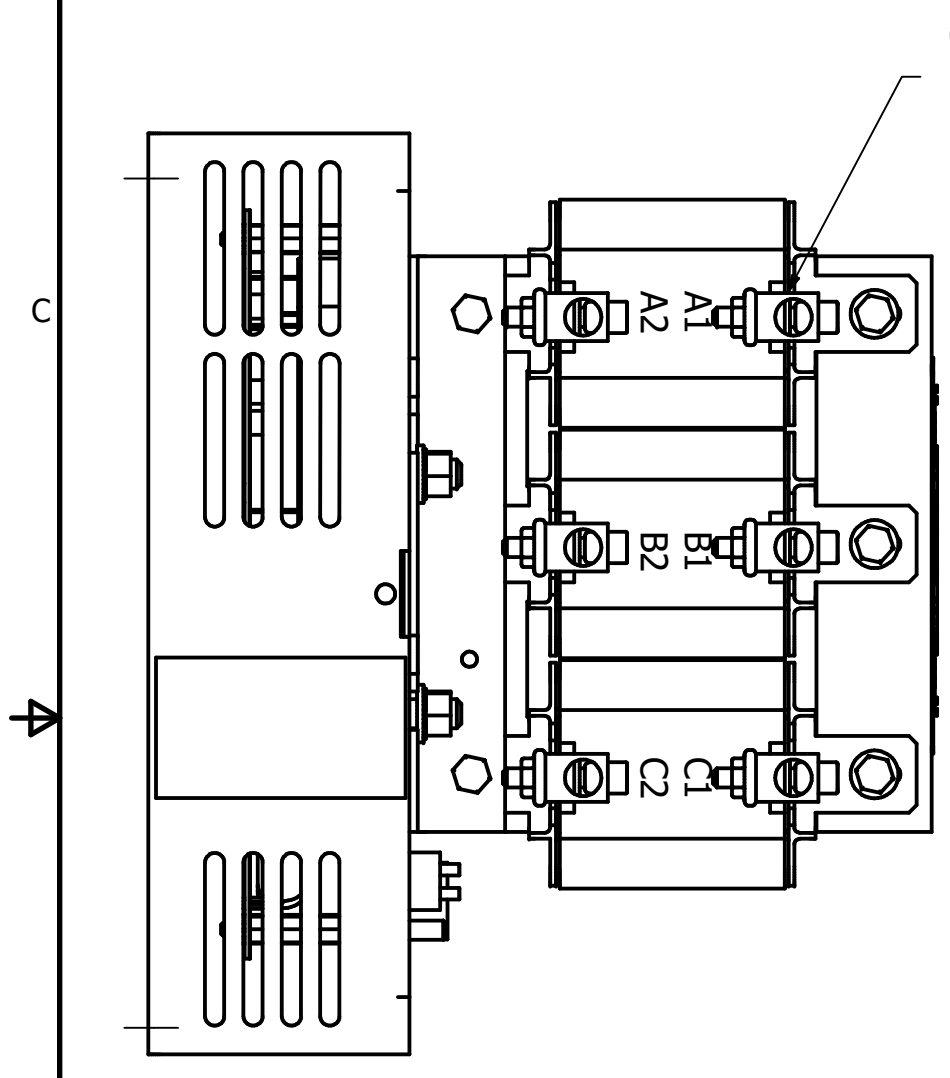
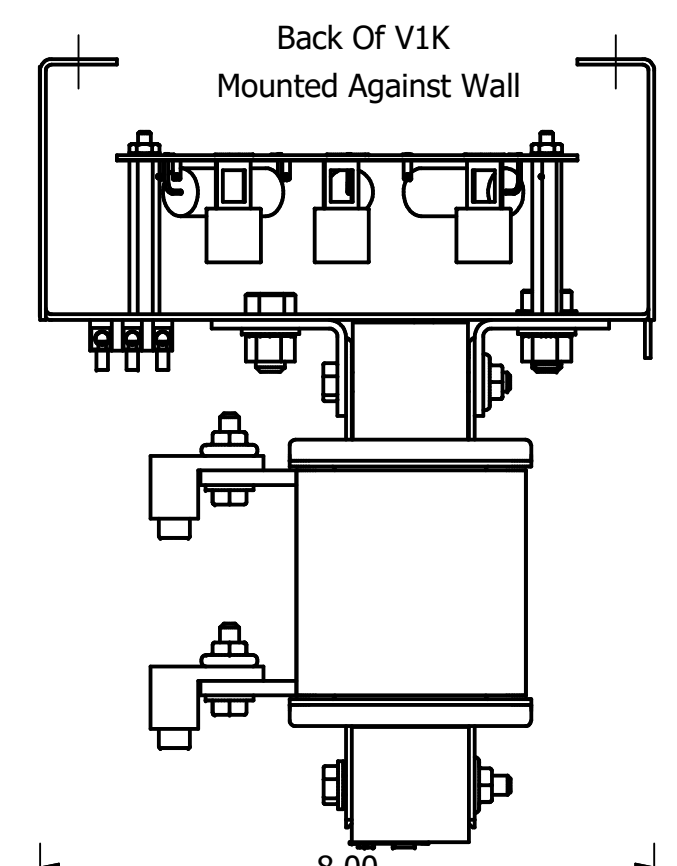
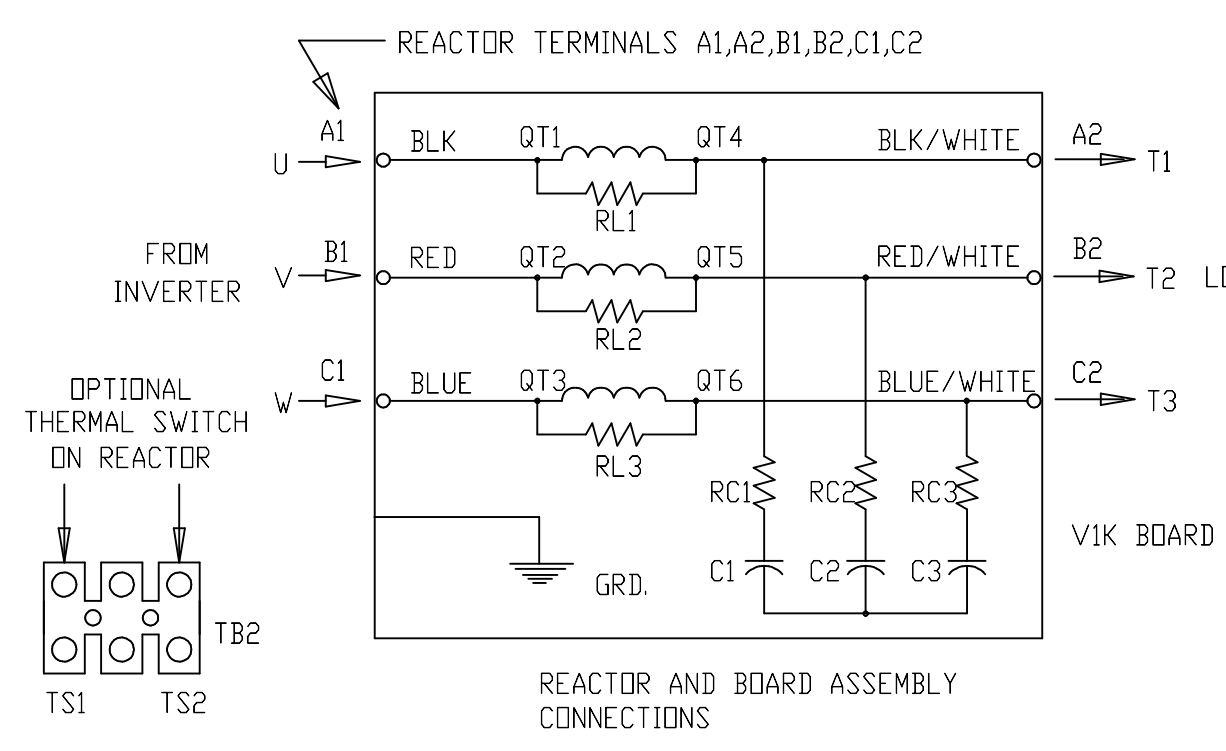


| V1K Part Number | Max Voltage | Amps | Phase | Weight (LBS) |
|-----------------|-------------|------|-------|--------------|
| V1K110A00* | 600 | 110 | 3 | 40 |
| V1K110A00EX* | 600 | 110 | 3 | 40 |

* = (Blank) - No Thermal Switch
 * = T - Thermal Switch Option

See V1K Installation Guide For Terminal Wire Size And Torque Information.

Note: Maintain Clearance of 3 Inches On All Sides To Other Equipment.



Customer Is Responsible For Installation to Meet All National And Local Electrical Codes. Material(s) Shall be RoHS Compliant

| | | | | | | | |
|--|----------------------------|---------------------------------------|----------|------------------------------|--|---|--|
| THE INFORMATION AND DESIGNS CONTAINED IN THIS DRAWING ARE CONFIDENTIAL AND THE PROPRIETARY PROPERTY OF ALLIED MOTION TECHNOLOGIES INC. AND ITS SUBSIDIARIES. NEITHER THIS DESIGN NOR ANY INFORMATION CONTAINED IN THIS DRAWING MAY BE REPRODUCED OR DISCLOSED TO OTHERS WITHOUT THE EXPRESS WRITTEN CONSENT OF ALLIED MOTION TECHNOLOGIES INC. AND ITS SUBSIDIARIES. | | | | TOLERANCES (EXCEPT AS NOTED) | TCI An Allied Motion Company | W132N10611 Grant Drive Germantown, WI 53022 © 2022 TCI, LLC | |
| | | | | DECIMAL | | | |
| | I | 5898 Add T/S Option, Update Schematic | 03/29/22 | JRN | .XX ± .25 .XXX ± .10 | V1K Open, 110 Amps | |
| | H | 4658 Rated To Max Voltage | 03/04/19 | JRN | FRACTIONAL ± 1/32 | | |
| G | 4030, Combine V1k Drawings | 6/7/17 | DSW | ANGULAR ± 1° | DRN BY DSW | DATE 4/26/17 | |
| NO | REVISION | DATE | BY | | SCALE TO FIT | APRVD: 102650DG | |