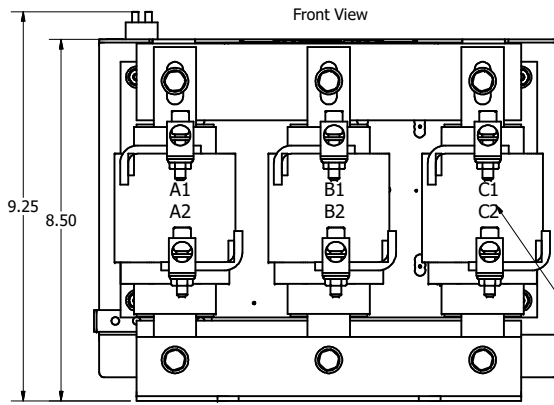
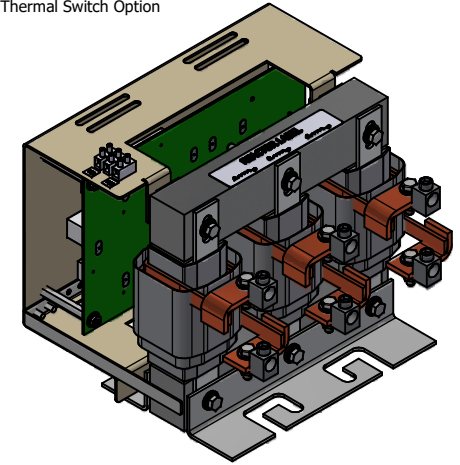
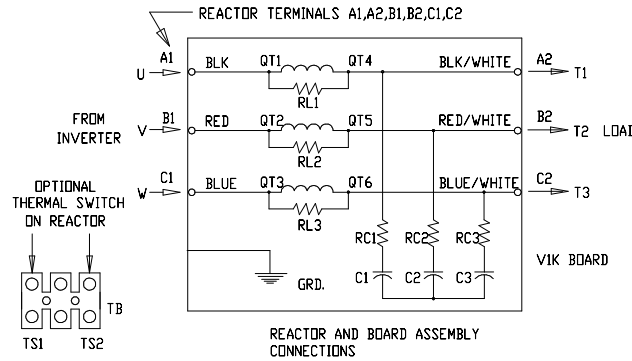
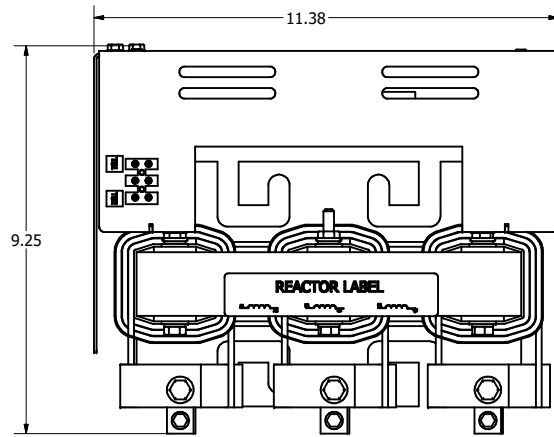


See V1K Installation Guide For Terminal Wire Size And Torque Information.

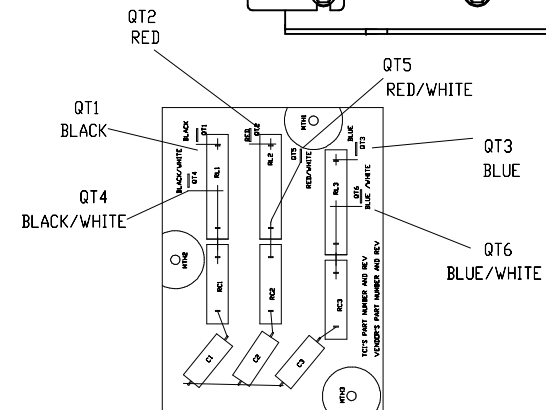
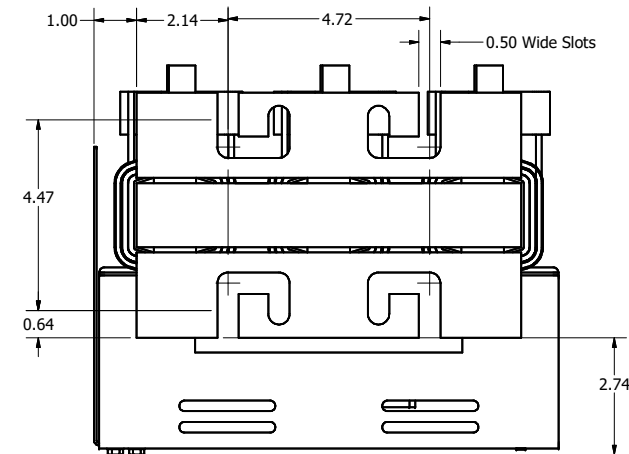
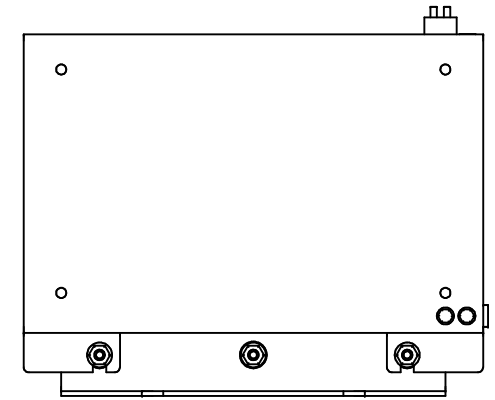
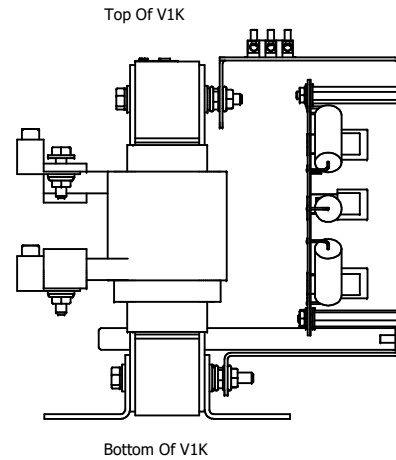
V1K Part Number	Max Voltage	Amps	Phase	Weight (LBS)
V1K130A00*	600	130	3	55
V1K130A00EX*	600	130	3	55

Note: Maintain Clearance of 3 Inches On All Sides To Other Equipment. * = (Blank) - No Thermal Switch
* = T - Thermal Switch Option




Mounting Orientation-Up

(Customer Connections) Markings On Coil For Reference Only.



Customer Is Responsible For Installation to Meet All National And Local Electrical Codes.

Material(s) Shall be RoHS Compliant

THE INFORMATION AND DESIGNS CONTAINED IN THIS DRAWING ARE CONFIDENTIAL AND THE PROPRIETARY PROPERTY OF ALLIED MOTION TECHNOLOGIES INC. AND ITS SUBSIDIARIES. NEITHER THIS DESIGN NOR ANY INFORMATION CONTAINED IN THIS DRAWING MAY BE REPRODUCED OR DISCLOSED TO OTHERS WITHOUT THE EXPRESS WRITTEN CONSENT OF ALLIED MOTION TECHNOLOGIES INC. AND ITS SUBSIDIARIES.				TOLERANCES (EXCEPT AS NOTED)		 W132N10611 (Rev 13) 5/23 Germantown, WI 53022 © 2023 TCI, LLC	
H	6391, Inductor Updated	8/24/2023	DSW	DECIMAL	.XX ± .25	V1K Open	
G	5720, Update Board Bracket	2/10/2022	DSW	DECIMAL	.XXX ± .10	130 Amps	
F	4658, Rated to Max Voltage	03/04/2019	DSW	FRACTIONAL	± 1/16	DSN BY: DSW DATE: 4/26/17 SCALE: 1/2 DRAWN BY: []	
E	4030, Combine V1k Drawings	6/7/17	DSW	ANGULAR	± 1°	102651DG SHEET 1 OF 1	
NO	REVISION	DATE	BY				