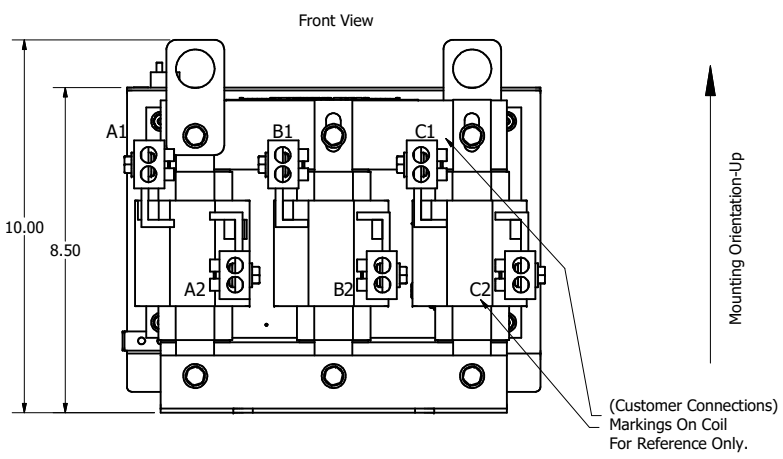
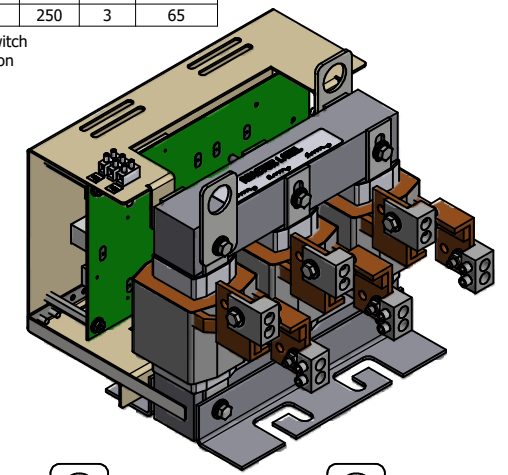
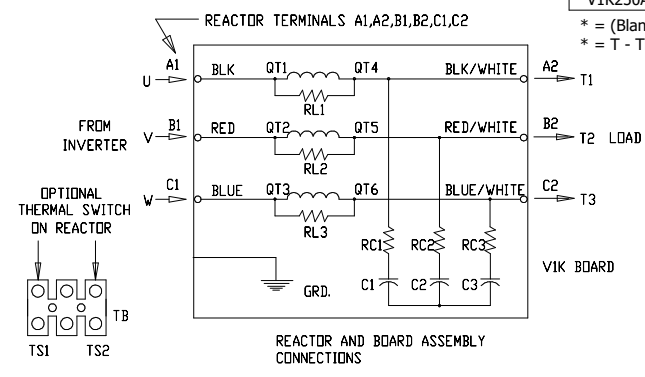


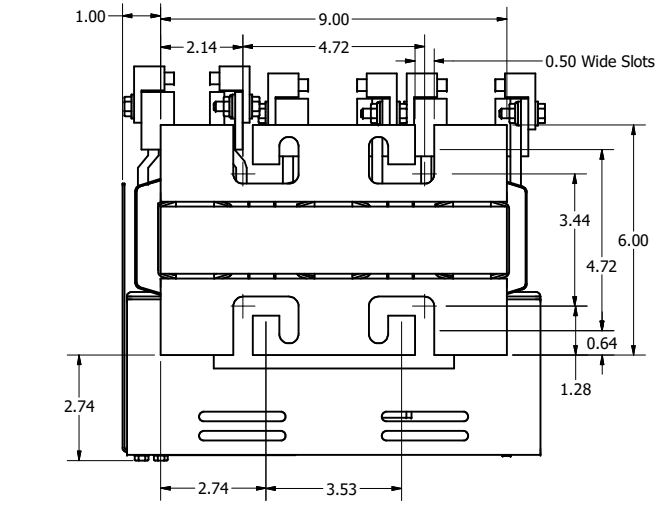
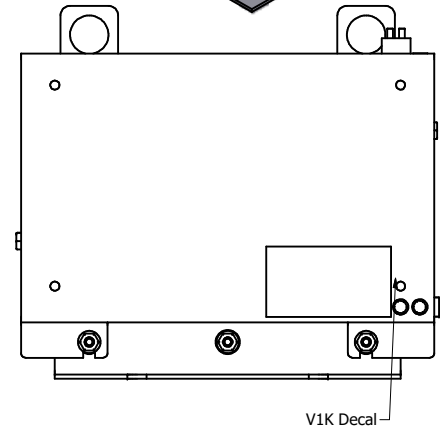
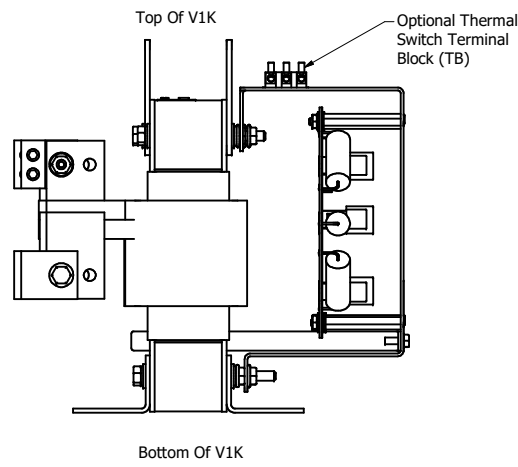
See V1K Installation Guide For Terminal Wire Size And Torque Information.
 Note: Maintain Clearance of 3 Inches On All Sides To Other Equipment.

V1K Part Number	Max Voltage	Amps	Phase	Weight (LBS)
V1K200A00*	600	200	3	60
V1K200A00EX*	600	200	3	60
V1K250A00*	600	250	3	65
V1K250A00EX*	600	250	3	65

* = (Blank) - No Thermal Switch
 * = T - Thermal Switch Option



Mounting Orientation-Up



Customer Is Responsible For Installation to Meet All National And Local Electrical Codes.
 Material(s) Shall be RoHS Compliant

THE INFORMATION AND DESIGNS CONTAINED IN THIS DRAWING ARE CONFIDENTIAL AND THE PROPRIETARY PROPERTY OF ALLIED MOTION TECHNOLOGIES INC. AND ITS SUBSIDIARIES. NEITHER THIS DESIGN NOR ANY INFORMATION CONTAINED IN THIS DRAWING MAY BE REPRODUCED OR DISCLOSED TO OTHERS WITHOUT THE EXPRESS WRITTEN CONSENT OF ALLIED MOTION TECHNOLOGIES INC. AND ITS SUBSIDIARIES.				TOLERANCES (EXCEPT AS NOTED) DECIMAL .XX ± .25 .XXX ± .10		 An Allied Motion Company W182N10611 (Rev 13) © 2021 TCI, LLC V1K Open
M	5997-1 Add T/S Option	08/02/22	JRN	FRACTIONAL ± 1/16		
L	5720, Update Borad Mounting	9/21/2021	DSW	ANGULAR ± 1°		
K	4658 Rated to Max Voltage	03/04/2019	JRN	DRN BY: DSW DATE: 4/26/17		
J	4030, Combine V1k Drawings	6/12/17	DSW	SCALE: 1/2		
NO	REVISION	DATE	BY	PART: 102653DG		
				SHEET 1 OF 1		