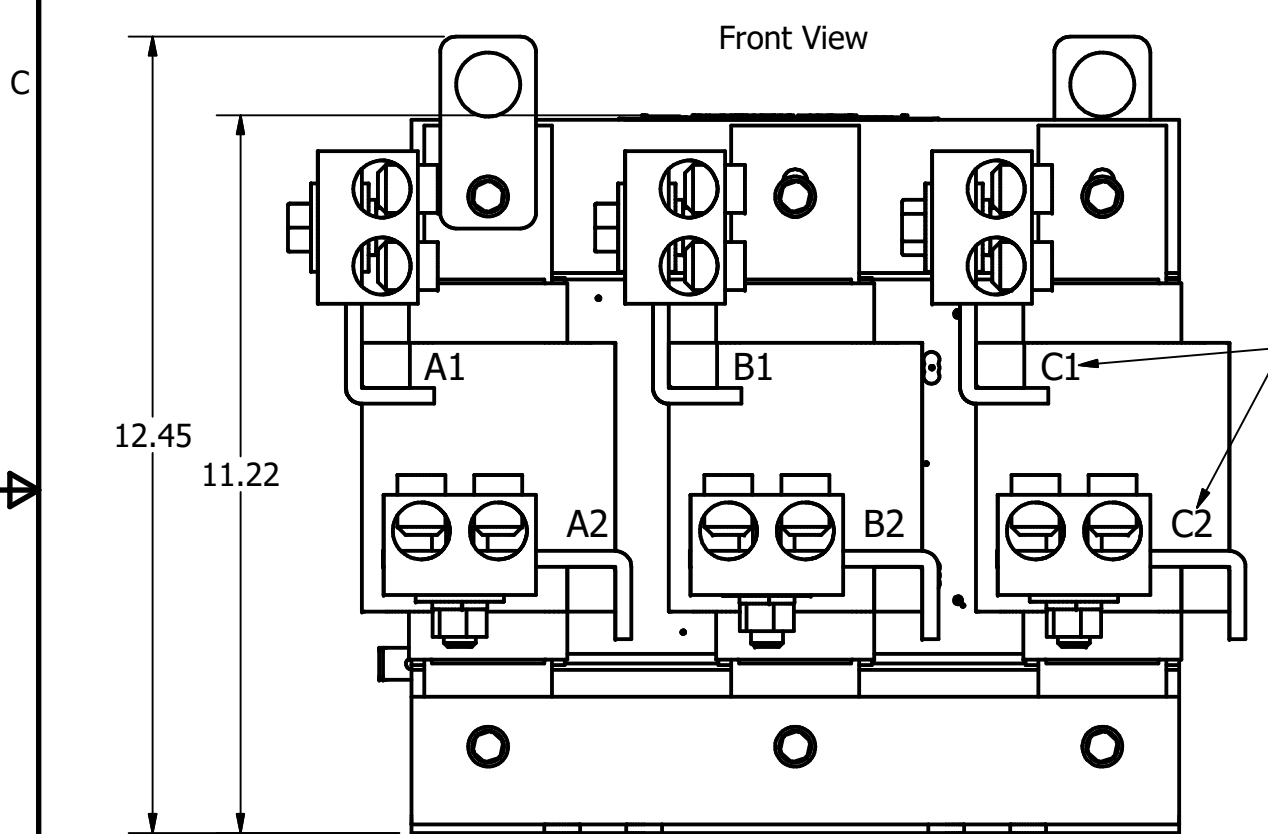
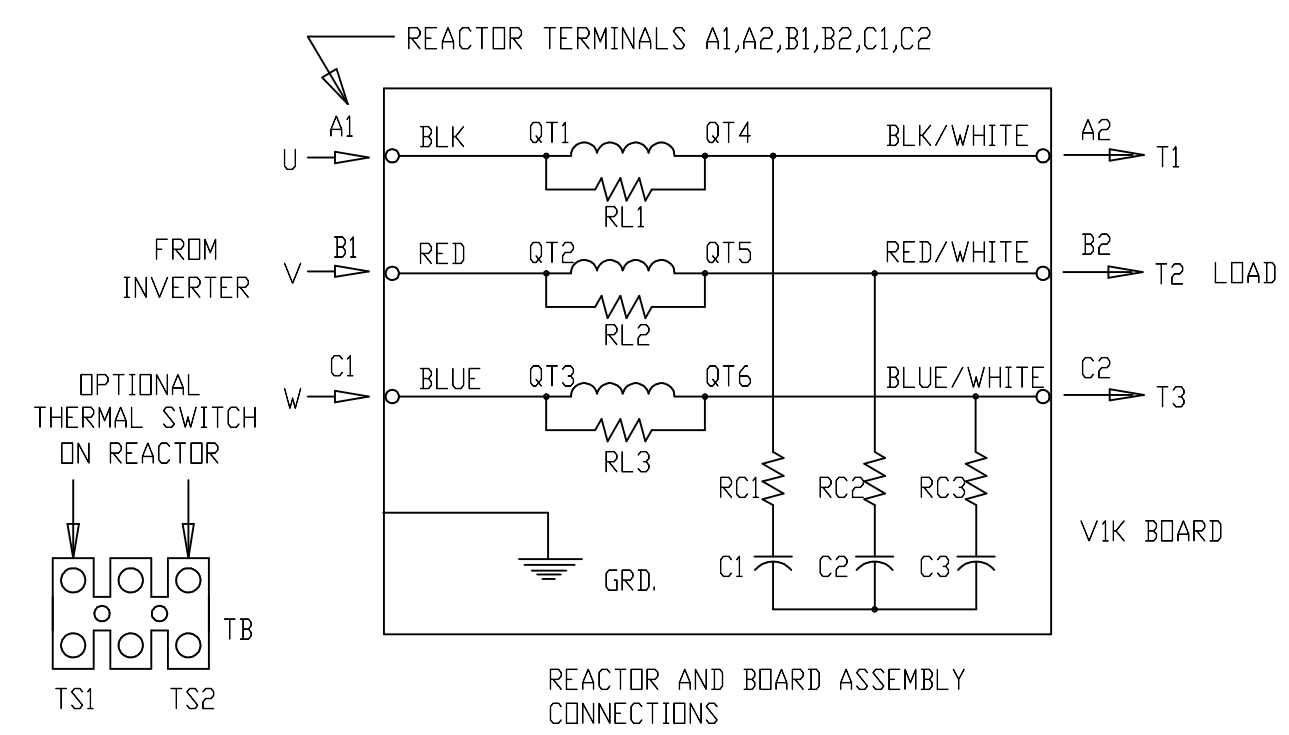
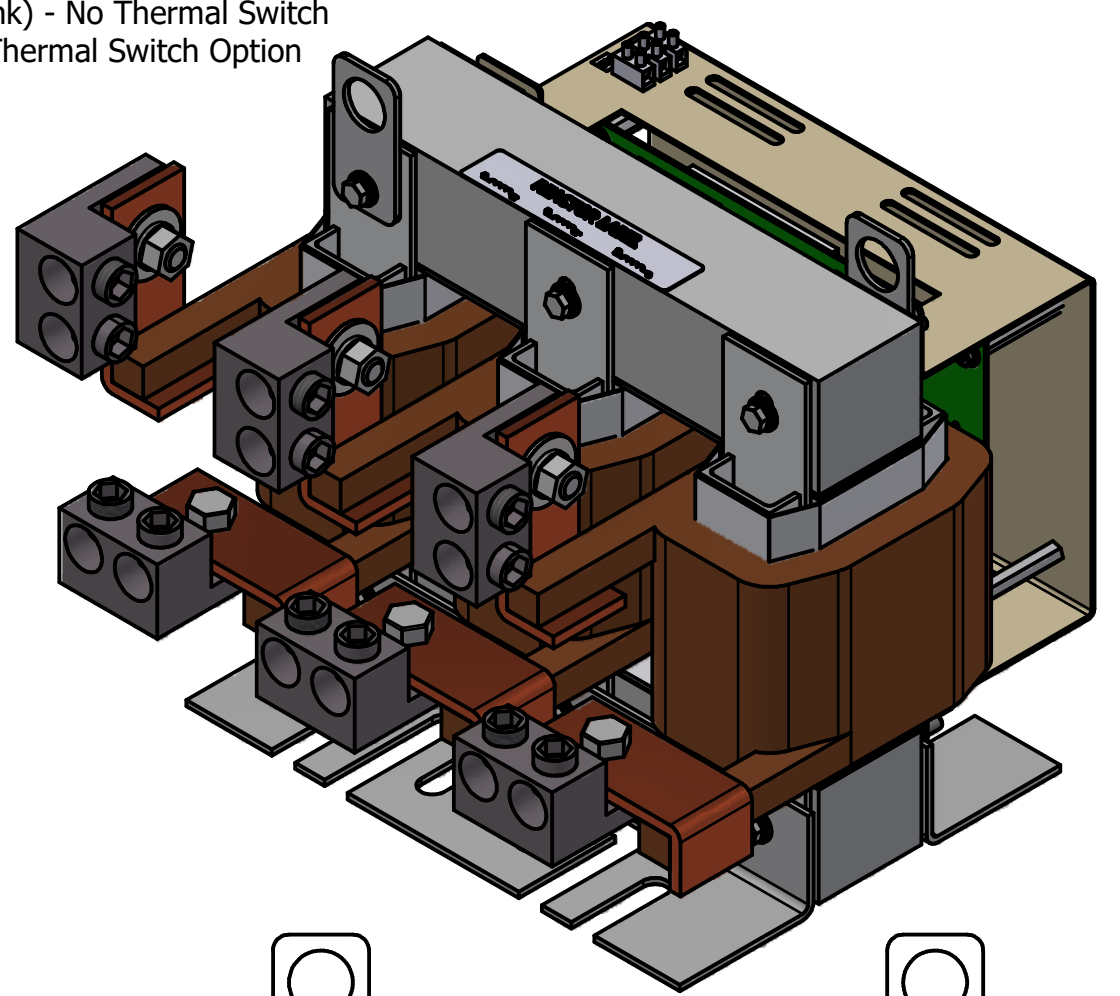


See V1K Installation Guide For Terminal Wire Size And Torque Information.
 Note: Maintain Clearance of 3 Inches On All Sides To Other Equipment.

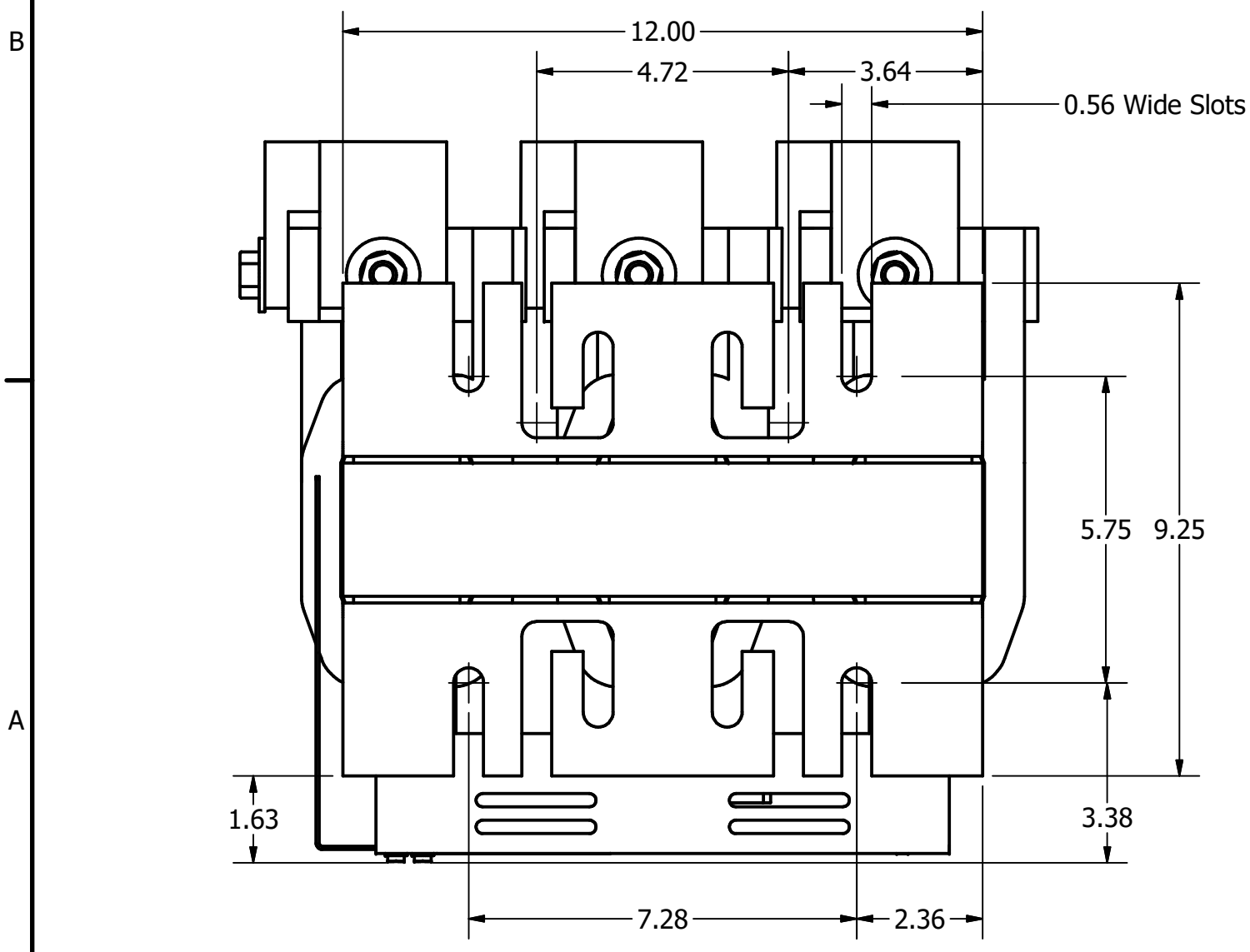
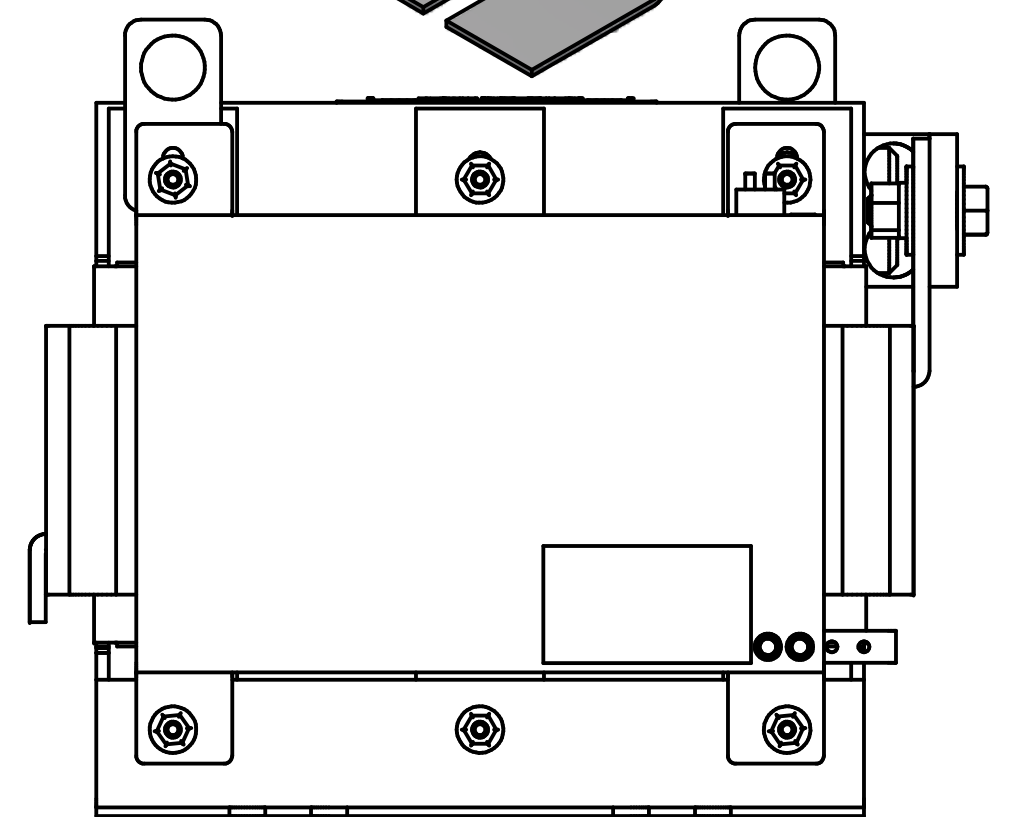
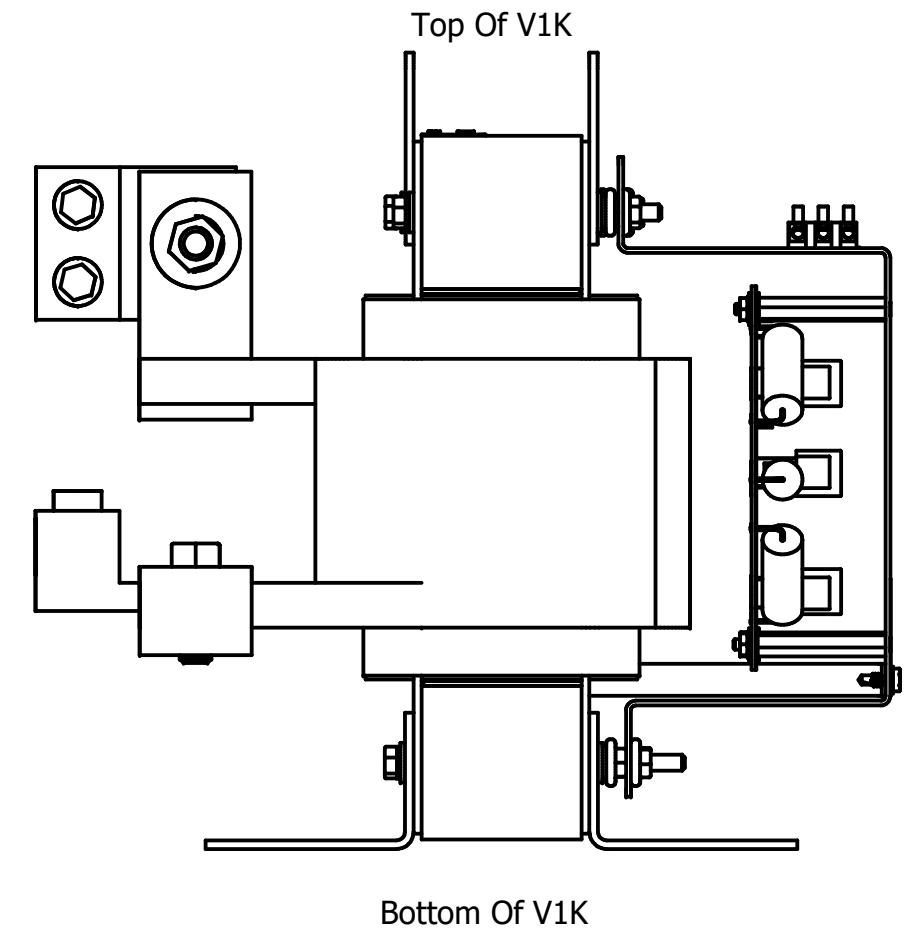
V1K Part Number	Max Voltage	Amps	Phase	Weight (LBS)
V1K600A00*	600	600	3	130
V1K600A00EX*	600	600	3	130

* = (Blank) - No Thermal Switch
 * = T - Thermal Switch Option



(Customer Connections) Markings On Coil For Reference Only.

Mounting Orientation-Up



Customer Is Responsible For Installation to Meet All National And Local Electrical Codes.
 Material(s) Shall be RoHS Compliant

THE INFORMATION AND DESIGNS CONTAINED IN THIS DRAWING ARE CONFIDENTIAL AND THE PROPRIETARY PROPERTY OF ALLIED MOTION TECHNOLOGIES INC. AND ITS SUBSIDIARIES. NEITHER THIS DESIGN NOR ANY INFORMATION CONTAINED IN THIS DRAWING MAY BE REPRODUCED OR DISCLOSED TO OTHERS WITHOUT THE EXPRESS WRITTEN CONSENT OF ALLIED MOTION TECHNOLOGIES INC. AND ITS SUBSIDIARIES.				TOLERANCES (EXCEPT AS NOTED)	W132N10611 Grant Drive Germantown, WI 53022 © 2022 TCI, LLC	
				DECIMAL		
	J	6012 Added T/S Option	08/03/22	JRN	.XX ± .25 .XXX ± .10	V1K, Open 600 Amps
	I	5720, Update Board mounting	2/10/2022	DSW	FRACTIONAL ± 1/16	
	H	4658, Rated To Max	03/06/19	JRN	ANGULAR ± 1°	
G	4030, Combine V1k Drawings	6/19/17	DSW		DRN BY: DSW DATE: 6/19/17 SCALE: 1/3 APRVD:	
NO	REVISION	DATE	BY		102659DG SIZE C SHT.1 OF 1	