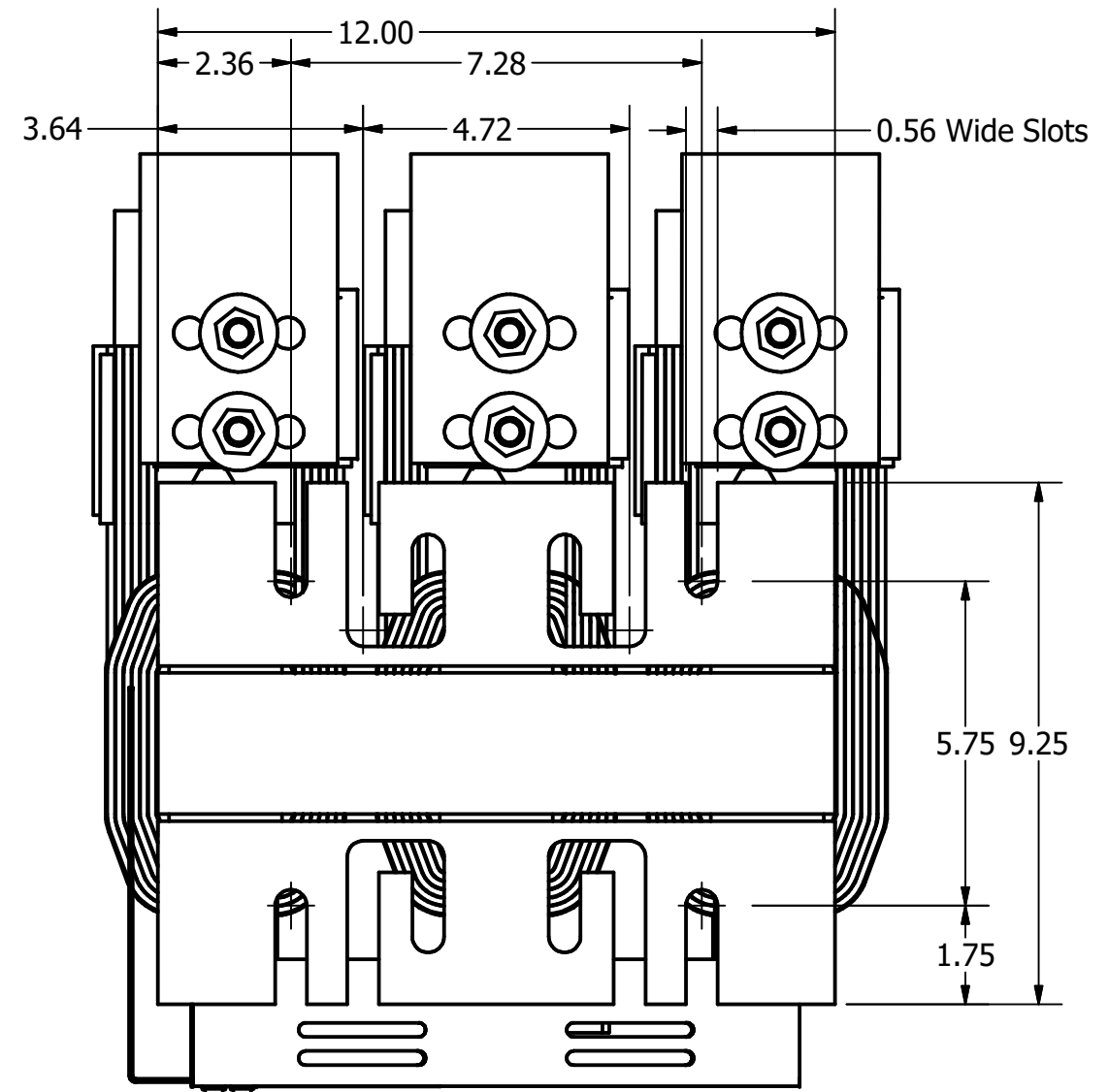
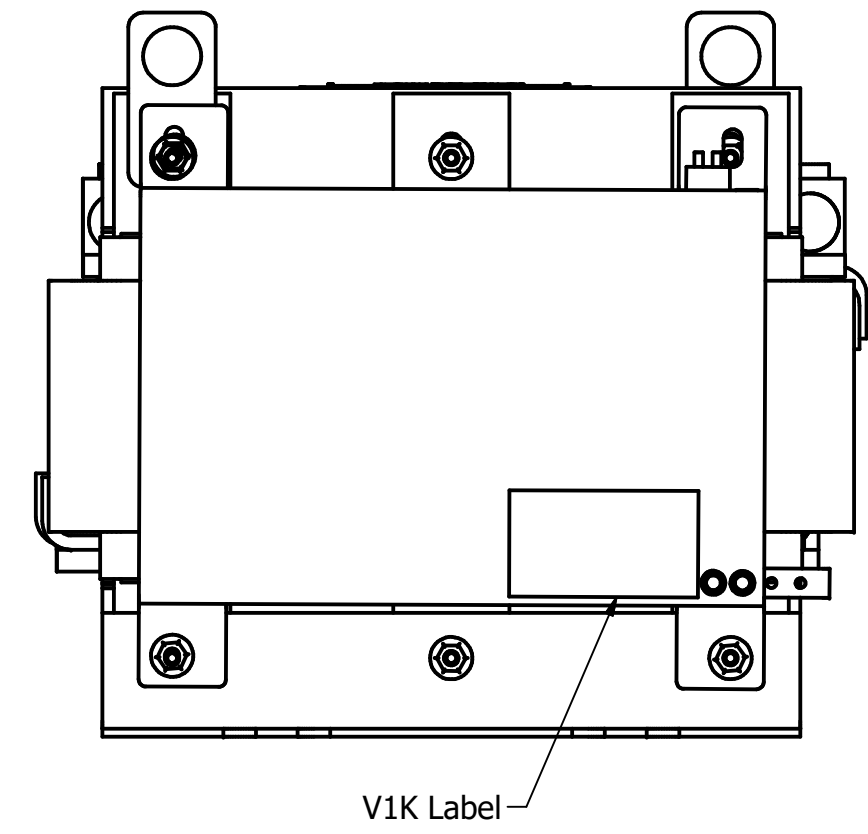
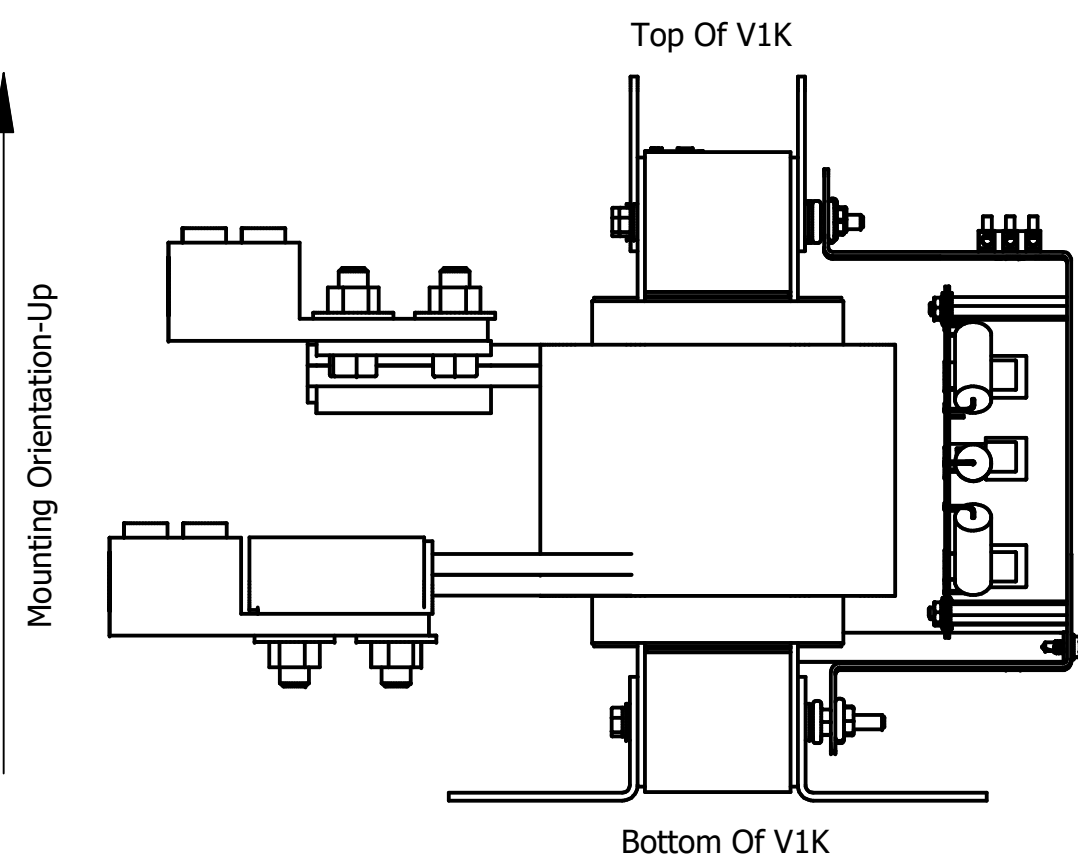
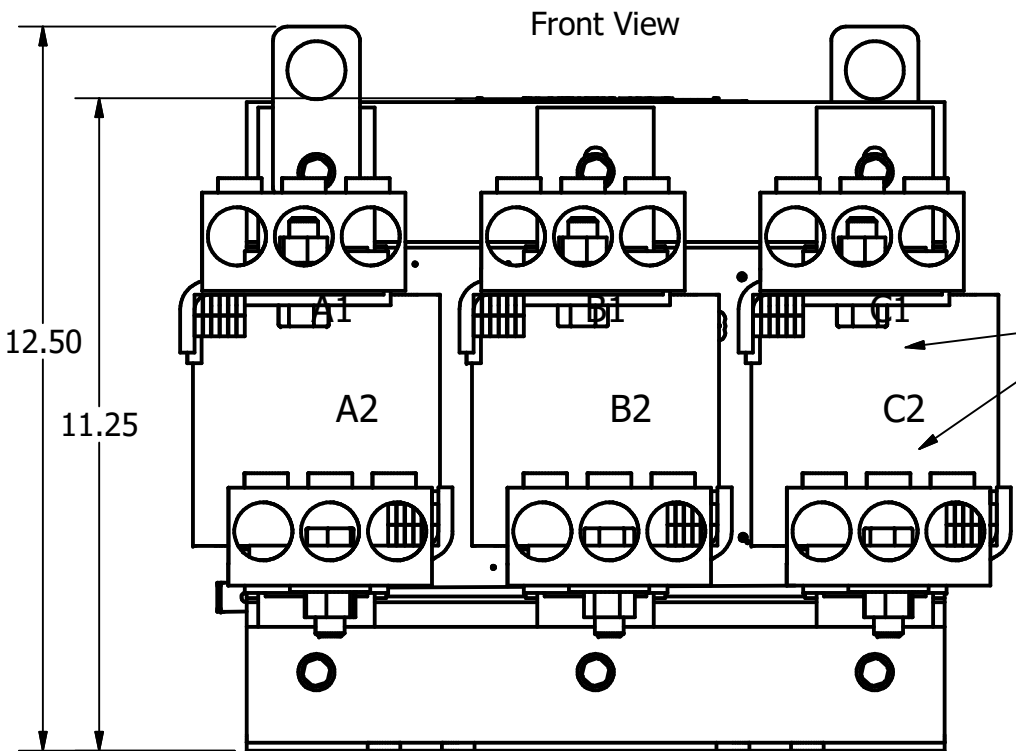
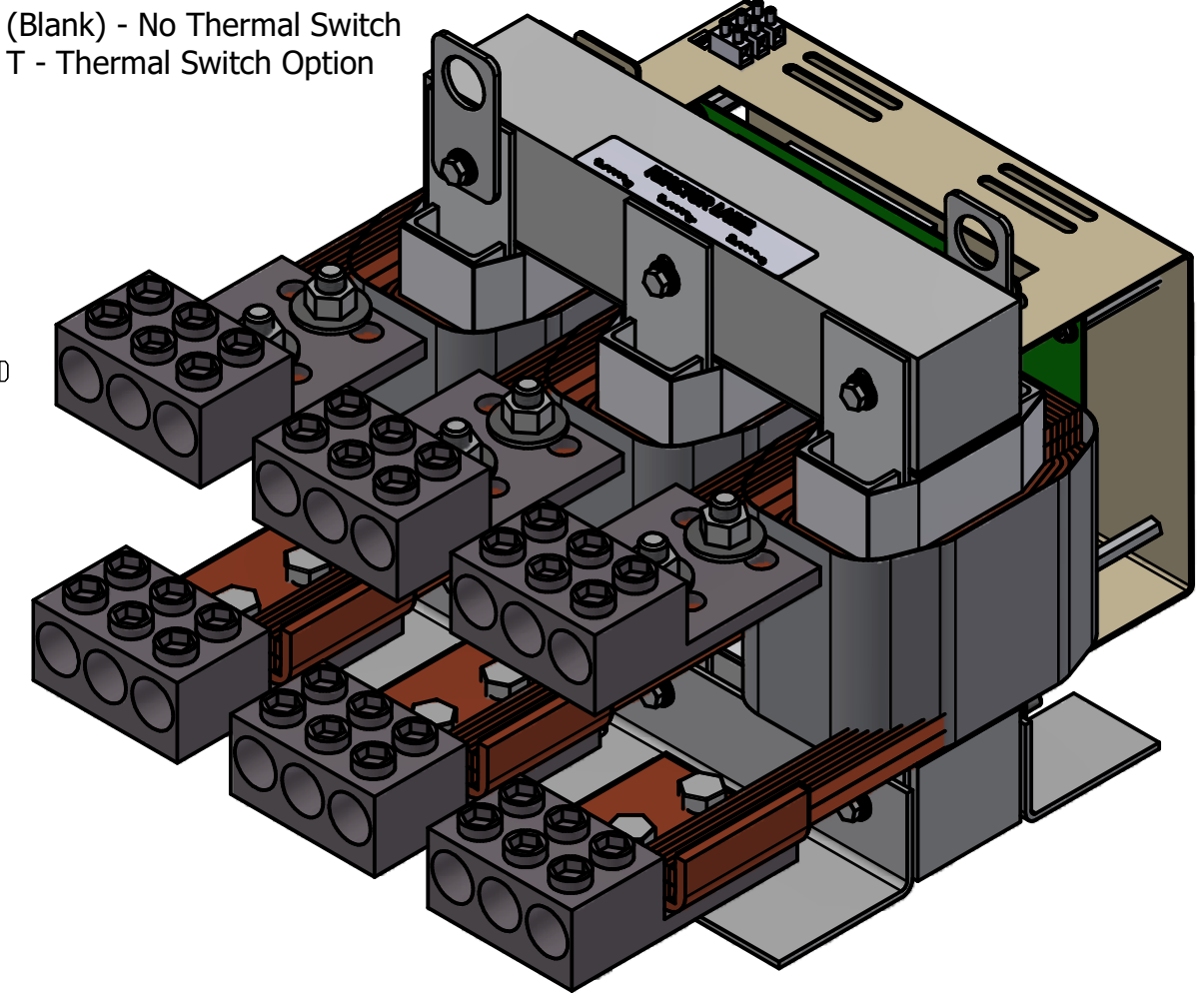
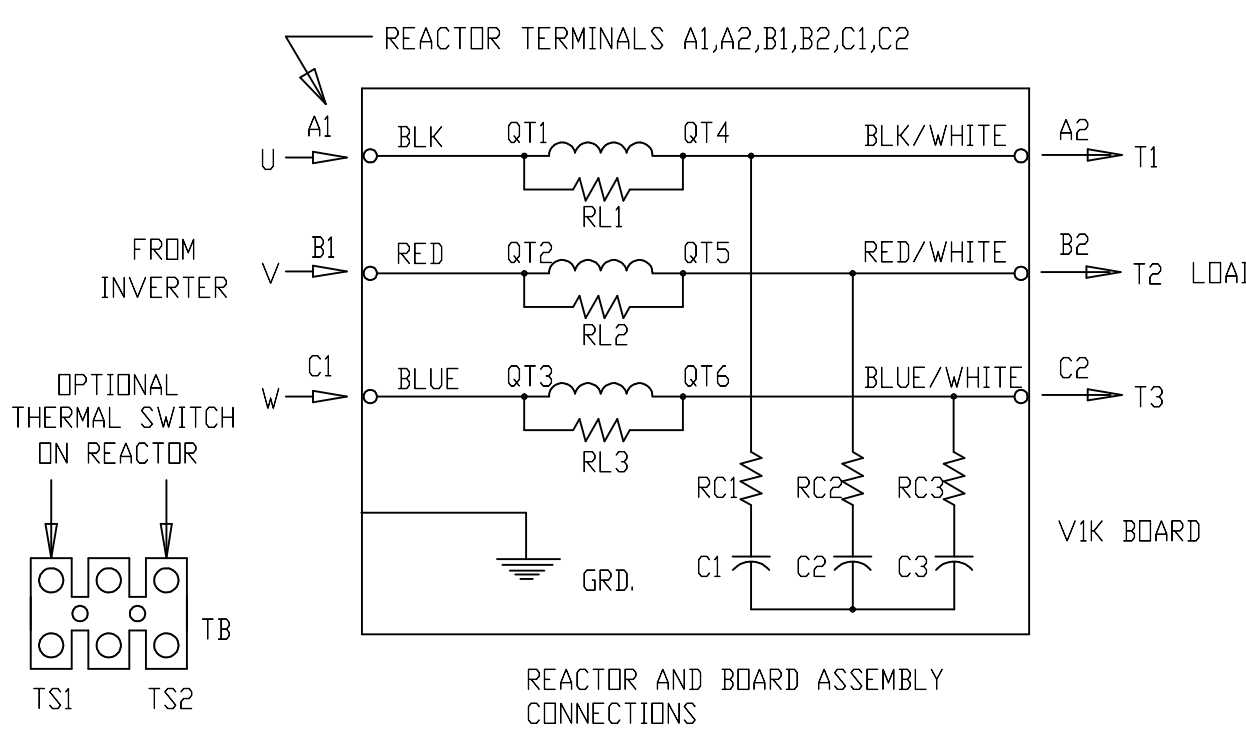
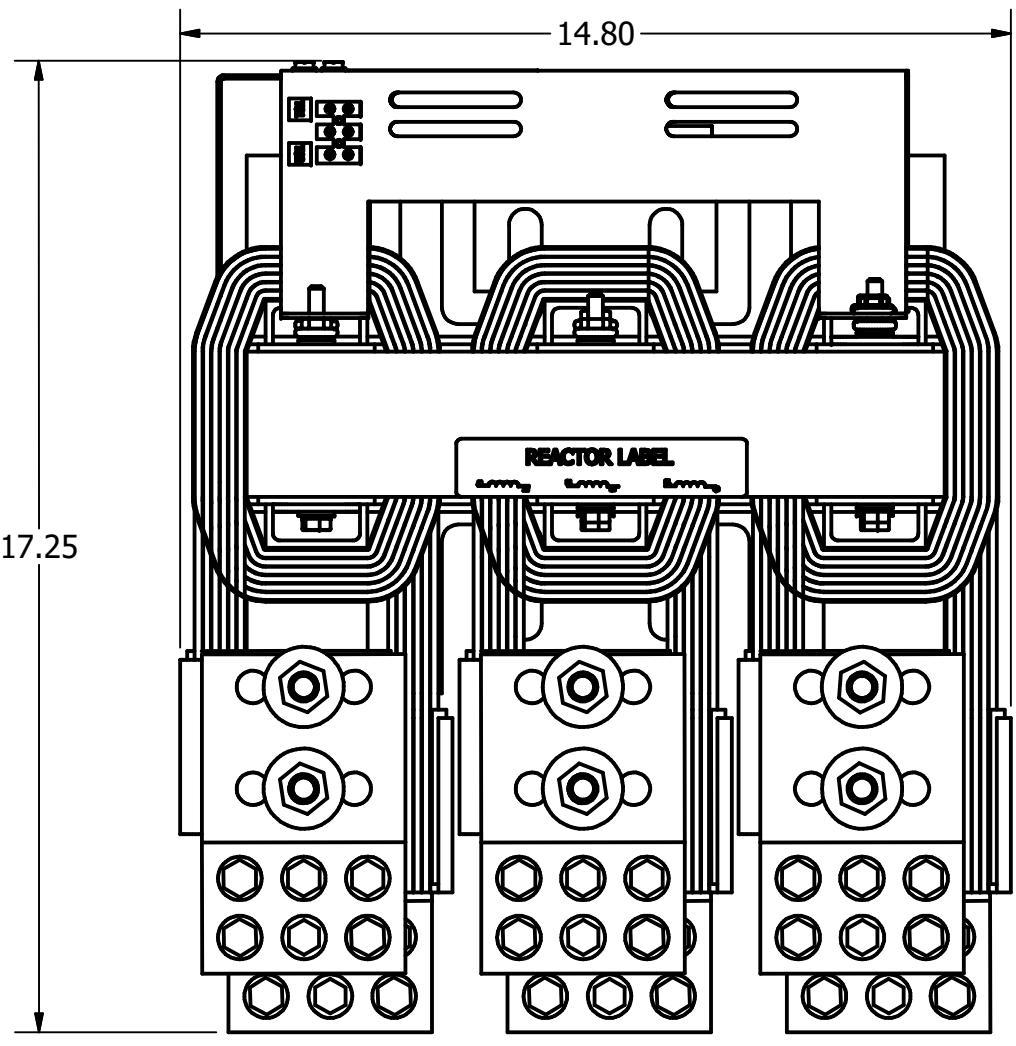



VIK Part Number	Max Voltage	Amps	Phase	Weight (LBS)
V1K750A00*	600	750	3	135
V1K750A00EX*	600	750	3	135

\* = (Blank) - No Thermal Switch  
 \* = T - Thermal Switch Option

See V1K Installation Guide For Terminal Wire Size And Torque Information.  
 Note: Maintain Clearance of 3 Inches On All Sides To Other Equipment.



Customer Is Responsible For Installation to Meet All National And Local Electrical Codes.  
 Material(s) Shall be RoHS Compliant

THE INFORMATION AND DESIGNS CONTAINED IN THIS DRAWING ARE CONFIDENTIAL AND THE PROPRIETARY PROPERTY OF ALLIED MOTION TECHNOLOGIES INC. AND ITS SUBSIDIARIES. NEITHER THIS DESIGN NOR ANY INFORMATION CONTAINED IN THIS DRAWING MAY BE REPRODUCED OR DISCLOSED TO OTHERS WITHOUT THE EXPRESS WRITTEN CONSENT OF ALLIED MOTION TECHNOLOGIES INC. AND ITS SUBSIDIARIES.				TOLERANCES (EXCEPT AS NOTED)	 W132N10611 Grant Drive Germantown, WI 53022 © 2022 TCI, LLC	
				DECIMAL		
	L	6012 Add T/S Options	08/03/22	JRN	.XX ± .25	VIK Open 750 Amps
	K	5720, Update Board Mounting	9/21/2021	DSW	.XXX ± .10	
	J	4658, Rated to Max Voltage	03/06/2019	DSW	FRACTIONAL ± 1/16	
I	4030, Combine V1k Drawings	6/19/17	DSW	ANGULAR ± 1°	DRN BY: DSW DATE: 6/19/17 SCALE: TO FIT APRVD:	102660DG SIZE C
NO	REVISION	DATE	BY		SHT. 1 OF 1	