

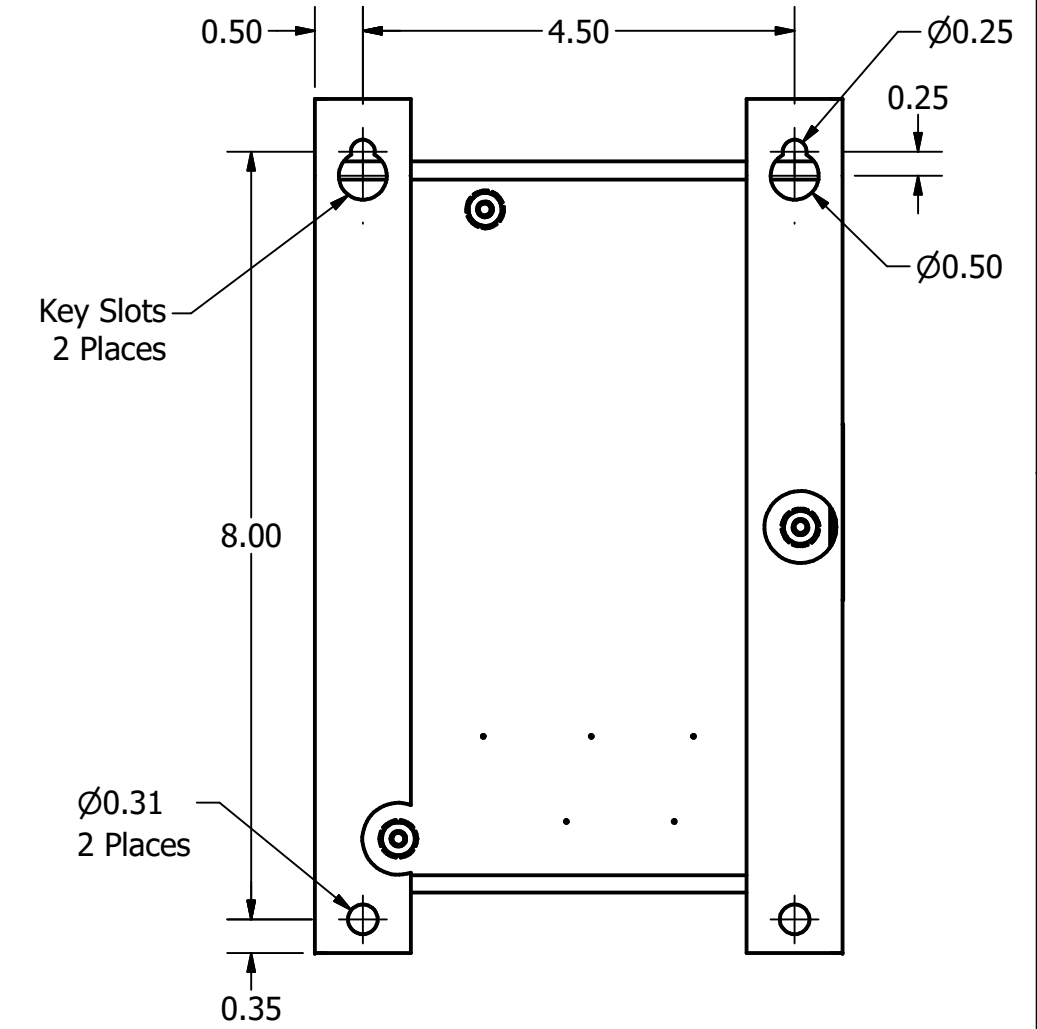
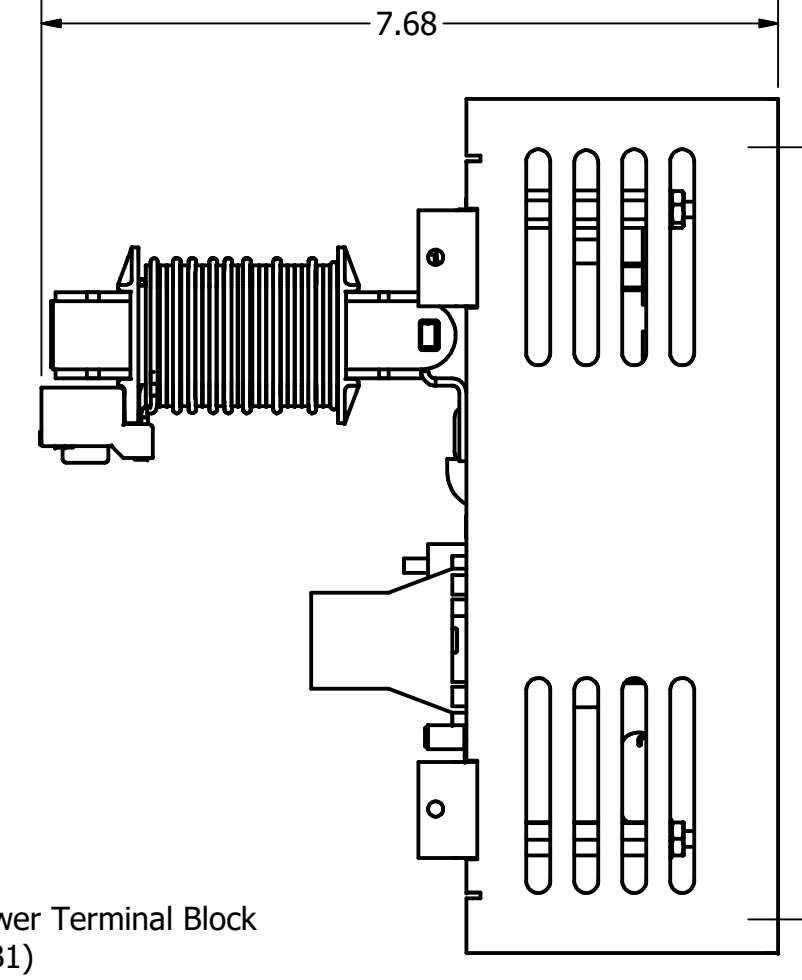
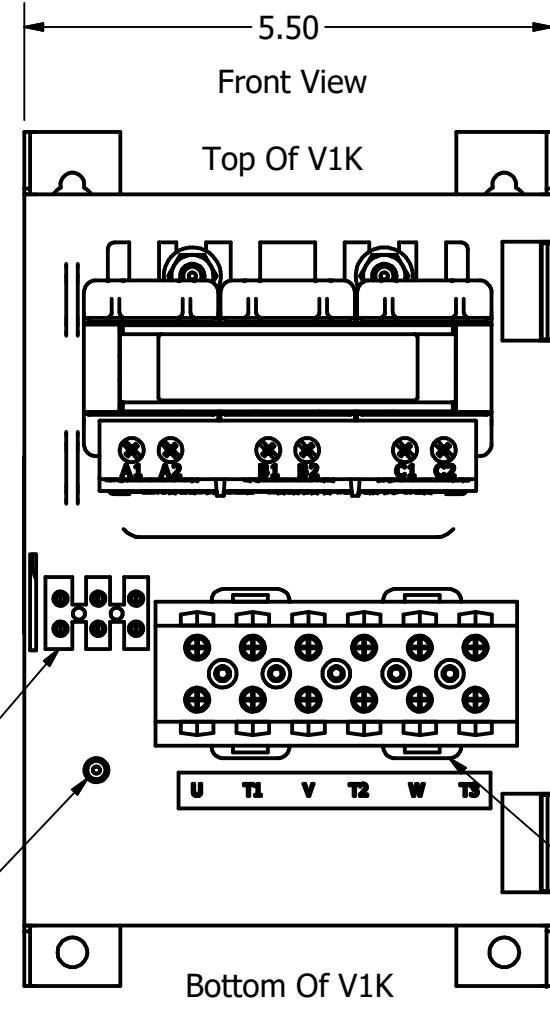
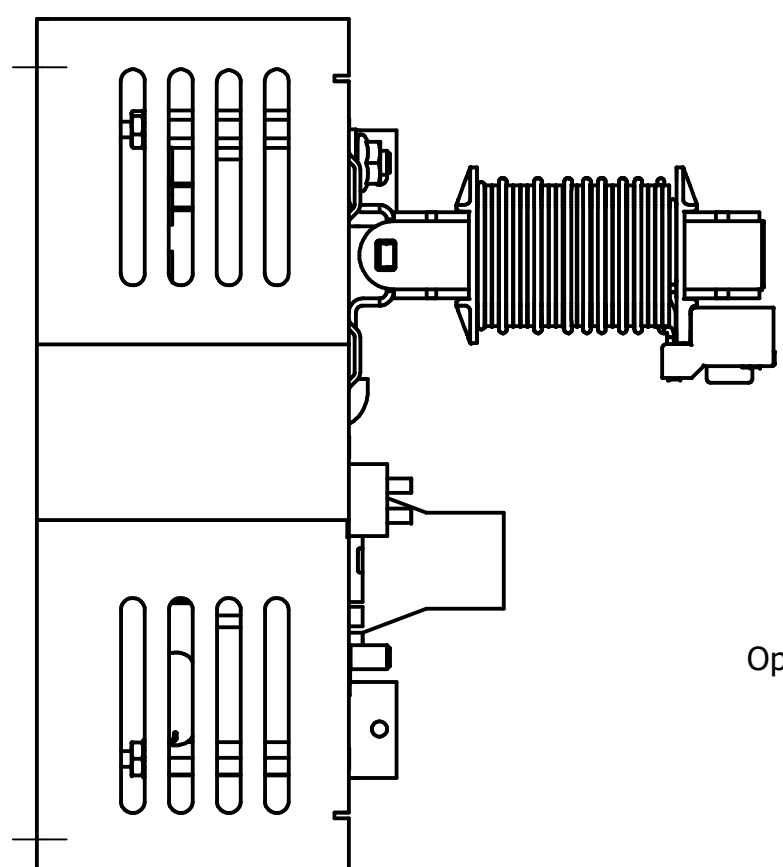
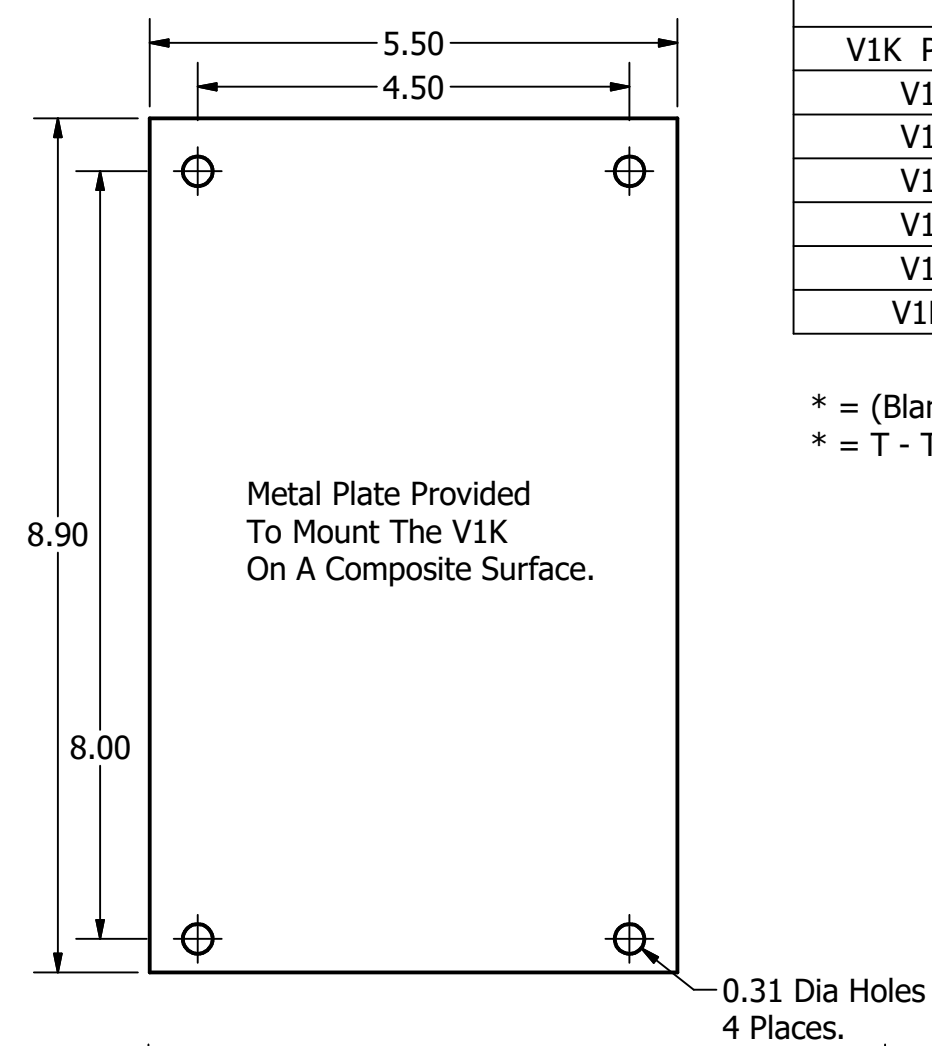
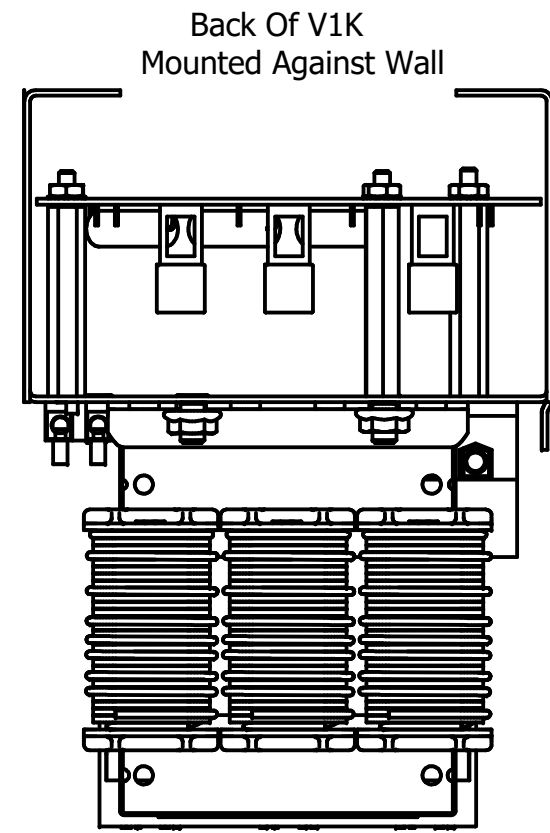
See V1K Installation Guide For Terminal Wire Size And Torque Information.

Note: Maintain Clearance of 3 Inches On All Sides To Other Equipment.

V1K Open Units

V1K Part Number	Max Voltage	Amps	Phase	Weight (LBS)
V1K2A00*	600	2	3	8
V1K3A00*	600	3	3	8
V1K4A00*	600	4	3	8
V1K6A00*	600	6	3	8
V1K8A00*	600	8	3	8
V1K12A00*	600	12	3	8

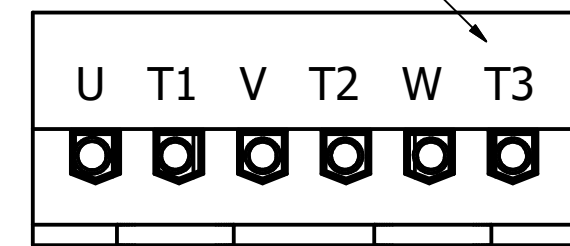
\* = (Blank) - No Thermal Switch  
 \* = T - Thermal Switch Option



Optional Thermal Switch Terminal Block (TB2)  
 0.25-20 Ground Stud

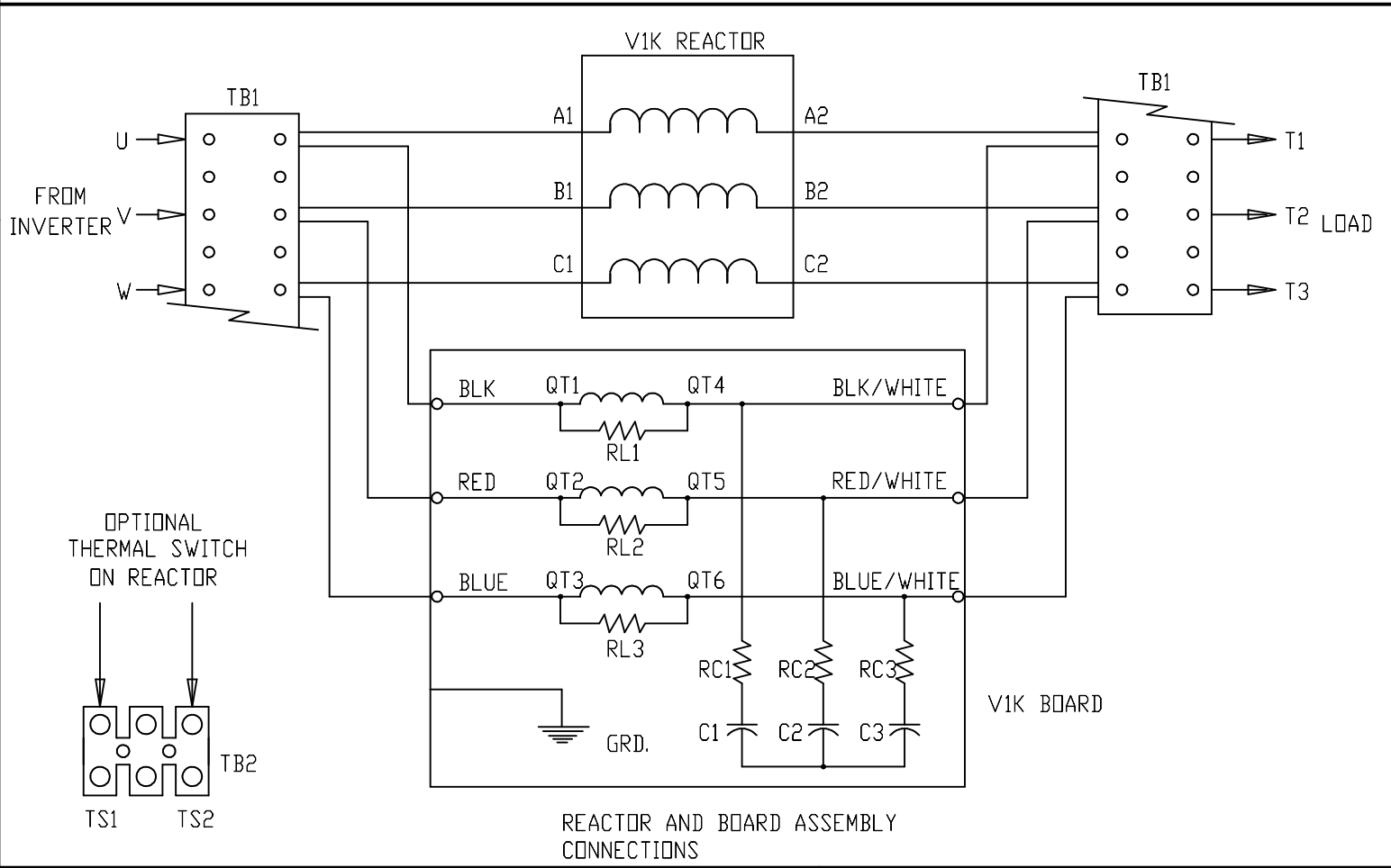
Power Terminal Block (TB1)

(Customer Connections) Markings On Terminal Block For Reference Only.



Customer Is Responsible For Installation to Meet All National And Local Electrical Codes.

Material(s) Shall be RoHS Compliant



THE INFORMATION AND DESIGNS CONTAINED IN THIS DRAWING ARE CONFIDENTIAL AND THE PROPRIETARY PROPERTY OF ALLIED MOTION TECHNOLOGIES INC. AND ITS SUBSIDIARIES. NEITHER THIS DESIGN NOR ANY INFORMATION CONTAINED IN THIS DRAWING MAY BE REPRODUCED OR DISCLOSED TO OTHERS WITHOUT THE EXPRESS WRITTEN CONSENT OF ALLIED MOTION TECHNOLOGIES INC. AND ITS SUBSIDIARIES.

TOLERANCES (EXCEPT AS NOTED)			
DECIMAL			
	.XX	± .25	
	.XXX	± .10	
FRACTIONAL			
	± 1/32		
ANGULAR			
	± 1°		

**TCI**  
 An Allied Motion Company

W132N10611 Grant Drive  
 Germantown, WI 53022  
 © 2021 TCI, LLC

V1K, Open  
 2 Amps to 12 Amps

DRN BY: JRN DATE: 03/11/21  
 SCALE: TO FIT APRVD: 108867DG  
 NO. REVISION DATE BY SIZE

SHT. 1 OF 1