

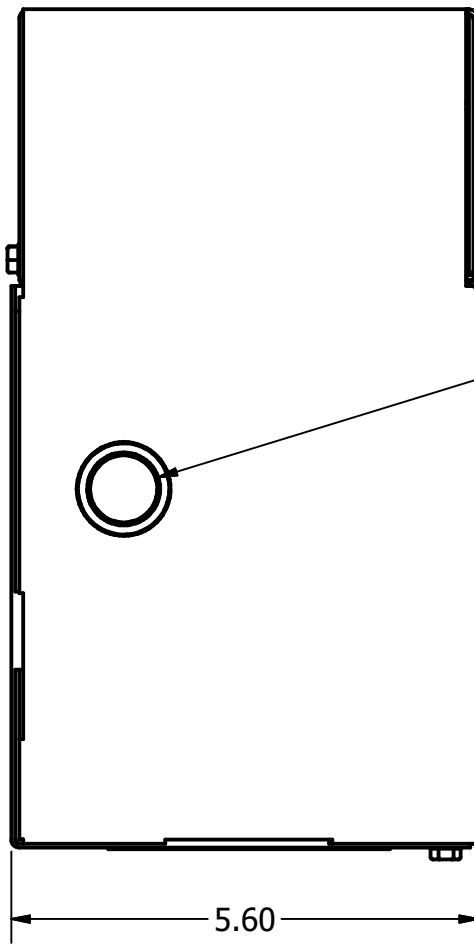
V1K Type 1 Units				
V1K Part Number	Max Voltage	Amps	Phase	Weight (LBS)
V1K2A01*	600	2	3	11
V1K3A01*	600	3	3	11
V1K4A01*	600	4	3	11
V1K6A01*	600	6	3	11
V1K8A01*	600	8	3	11
V1K12A01*	600	12	3	11

\* = (Blank) - No Thermal Switch  
 \* = T - Thermal Switch Option

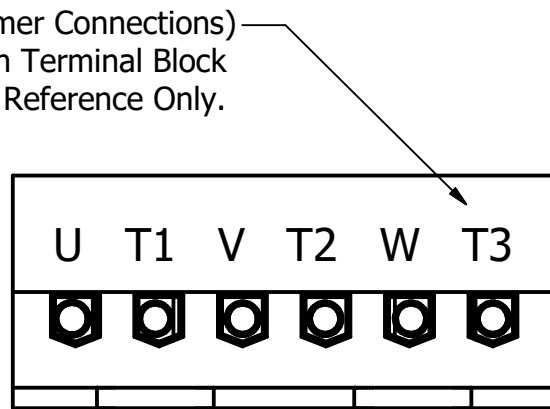
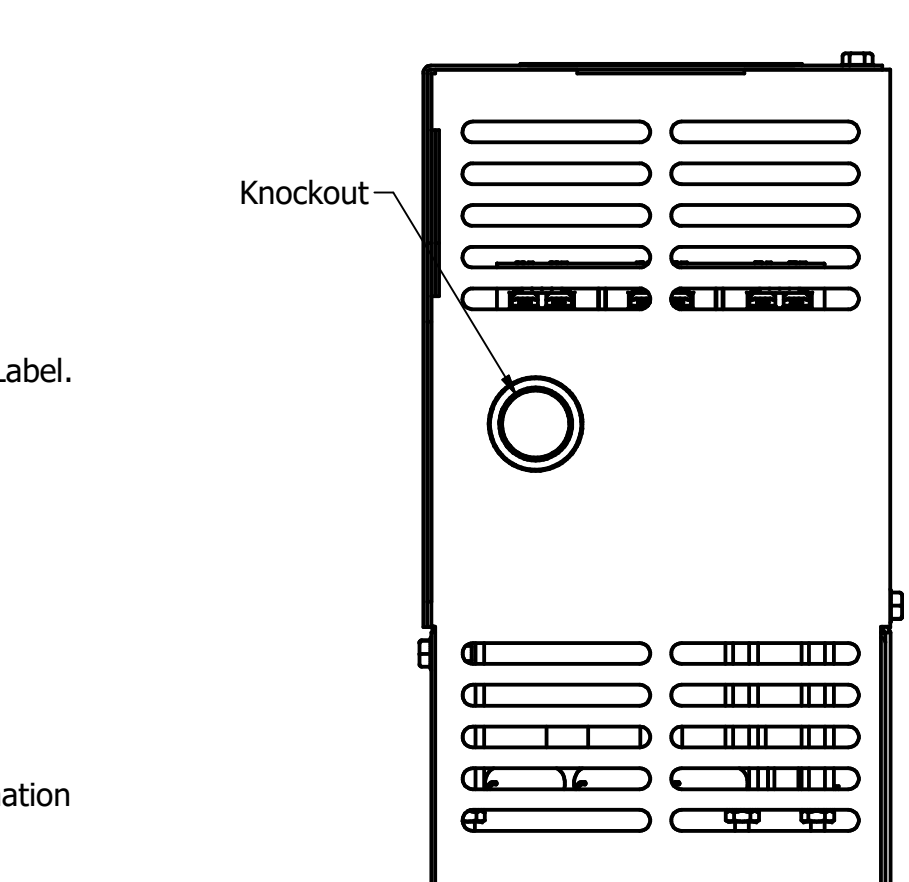
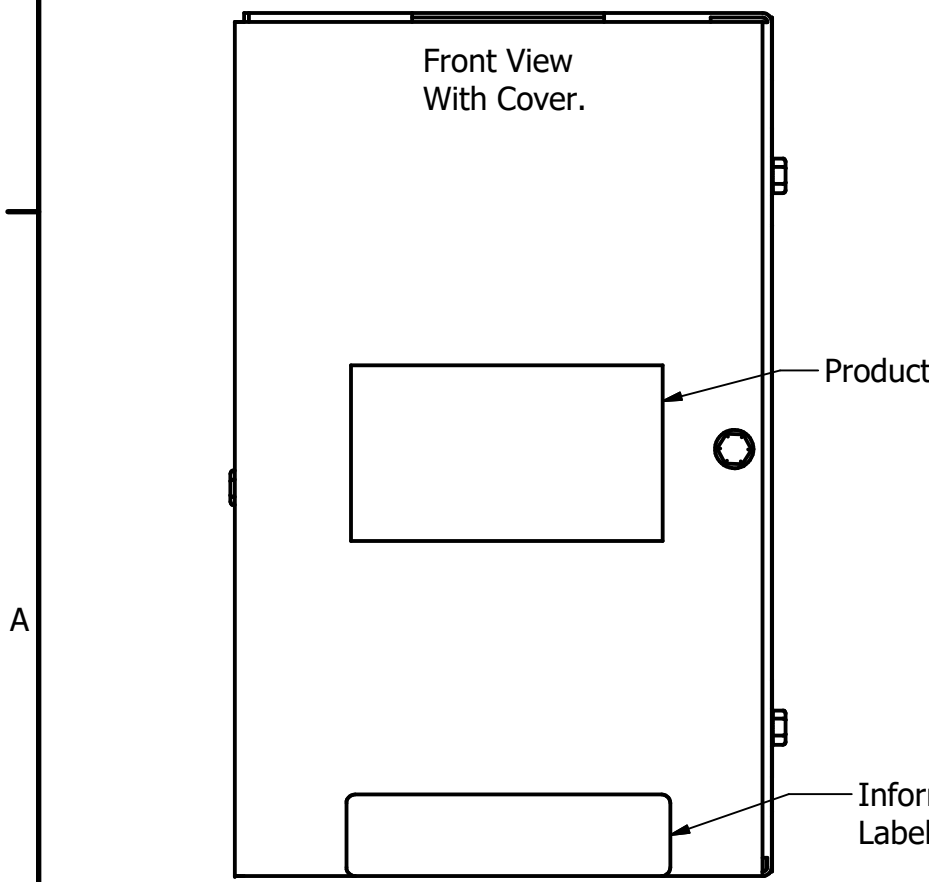
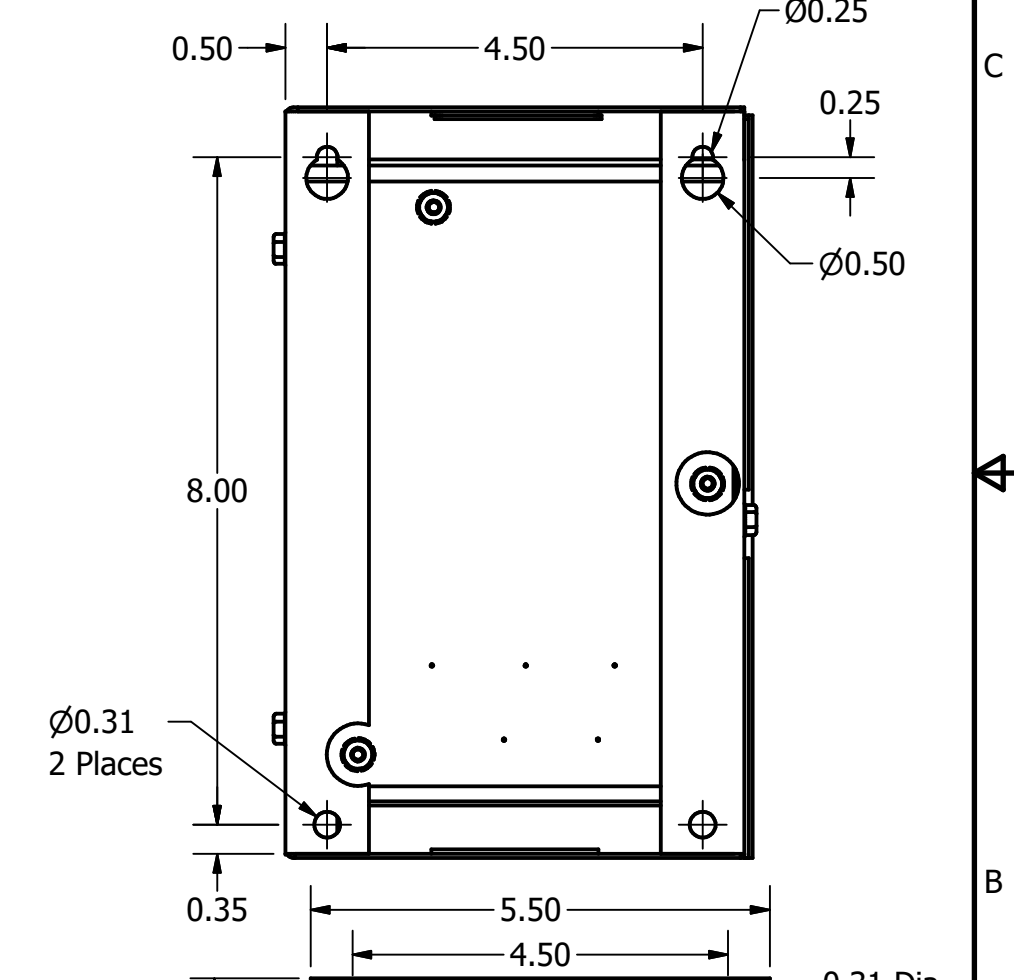
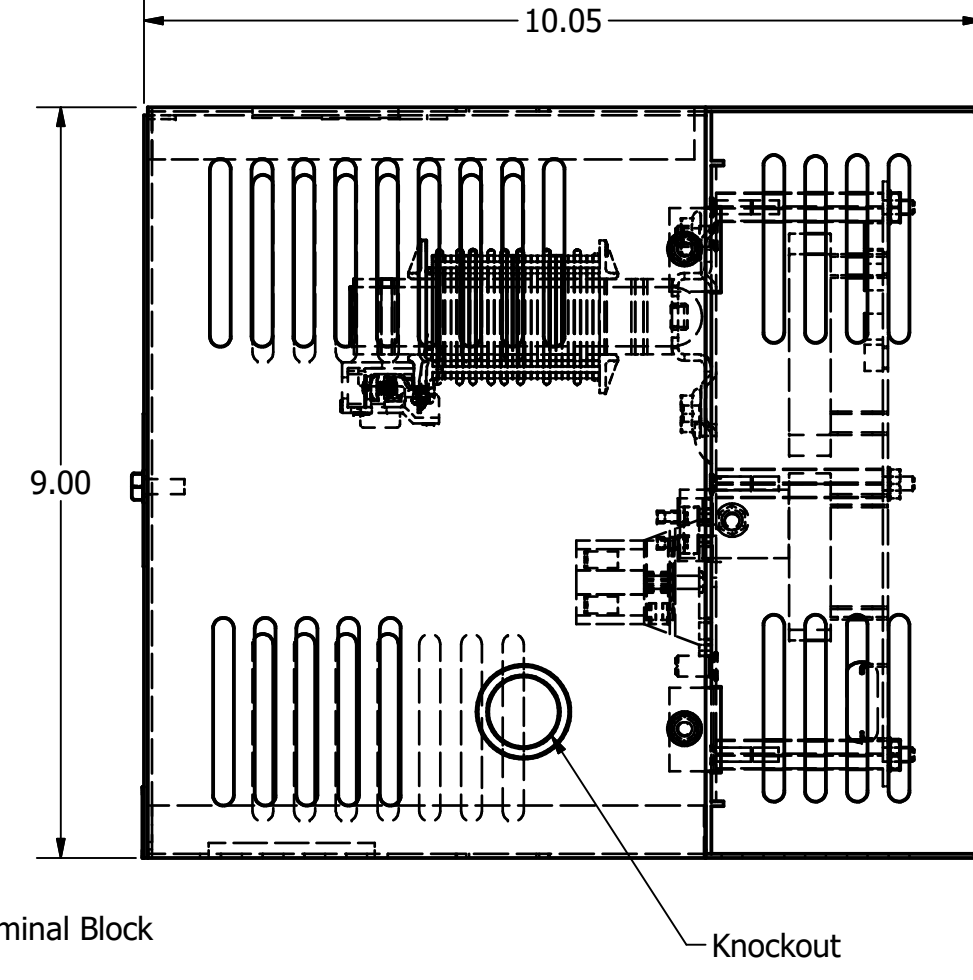
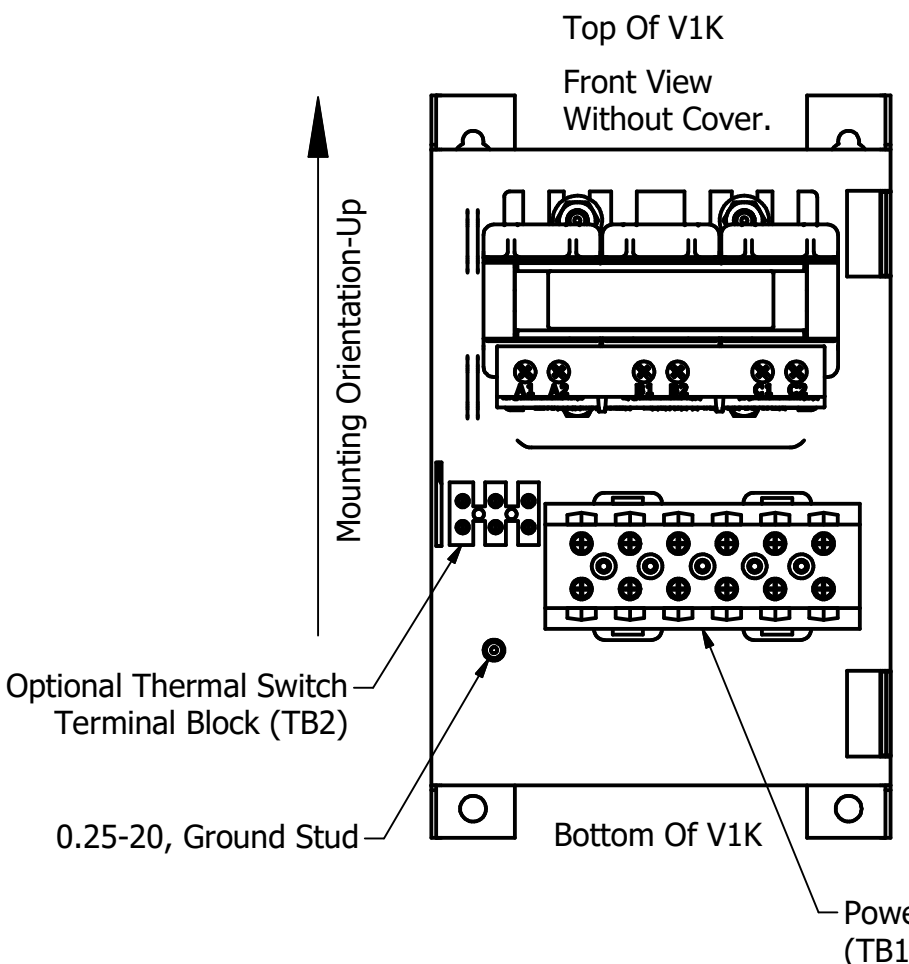
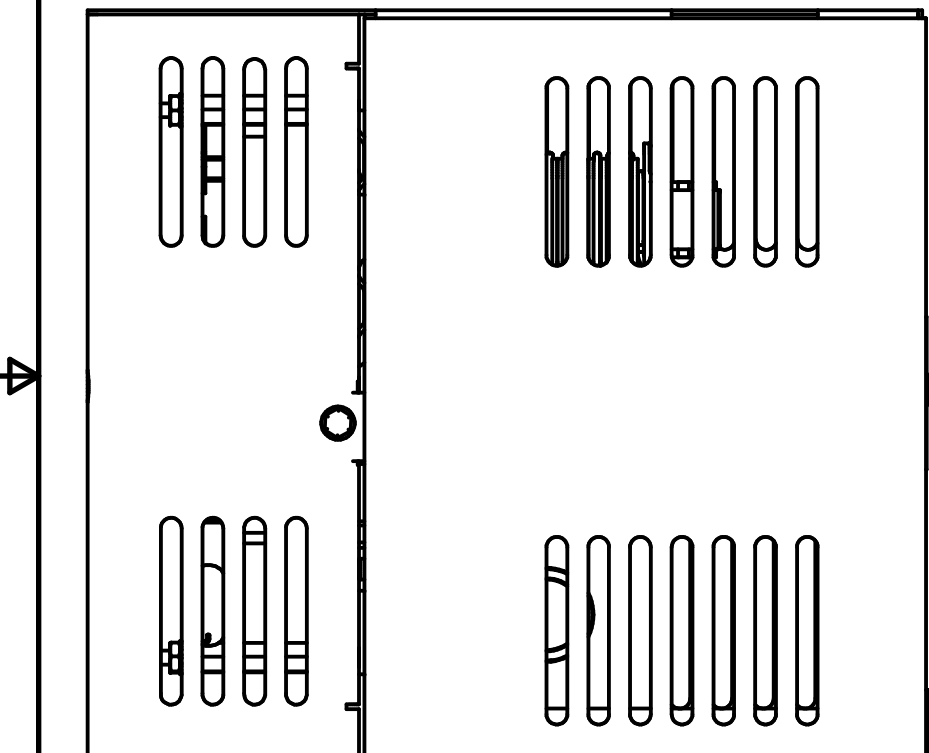
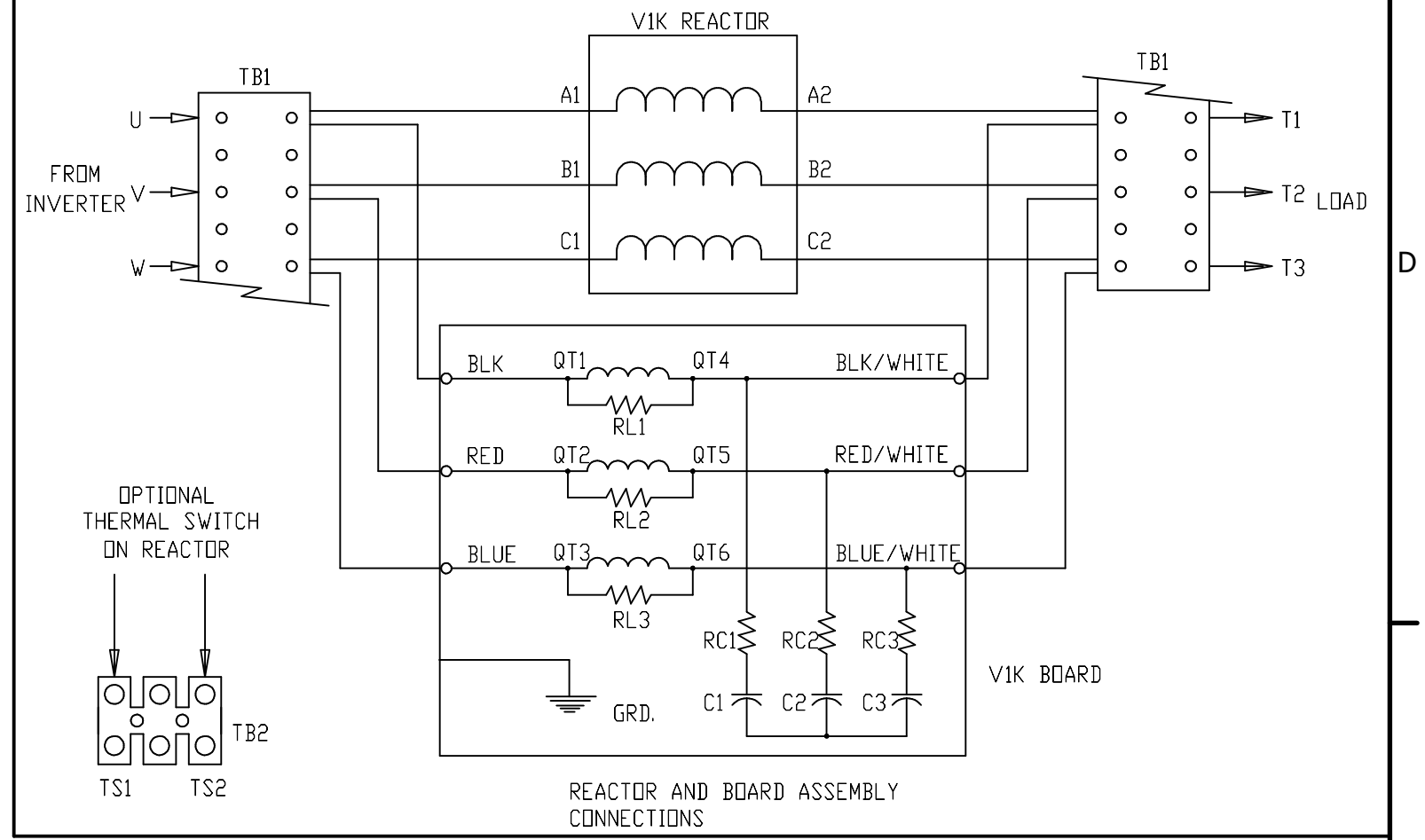
See V1K Installation Guide For Terminal Wire Size And Torque Information.

Note: Maintain Clearance of 3 Inches On All Sides To Other Equipment.


Back Of V1K Mounted Against Wall



7/8-1-1/8 Knockouts 3 Places. For Customer Entry Options.



Customer Is Responsible For Installation to Meet All National And Local Electrical Codes.

THE INFORMATION AND DESIGNS CONTAINED IN THIS DRAWING ARE CONFIDENTIAL AND THE PROPRIETARY PROPERTY OF ALLIED MOTION TECHNOLOGIES INC. AND ITS SUBSIDIARIES. NEITHER THIS DESIGN NOR ANY INFORMATION CONTAINED IN THIS DRAWING MAY BE REPRODUCED OR DISCLOSED TO OTHERS WITHOUT THE EXPRESS WRITTEN CONSENT OF ALLIED MOTION TECHNOLOGIES INC. AND ITS SUBSIDIARIES.				TOLERANCES (EXCEPT AS NOTED)	 W132N10611 Grant Drive Germantown, WI 53022 © 2021 TCI, LLC
				DECIMAL	
				.XX ± .25 .XXX ± .10	
				FRACTIONAL ± 1/32	
	A As Designed	06/24/21	JRN	ANGULAR ± 1°	V1K, Enclosed, Type 1 2 Amps to 12 Amps
NO	REVISION	DATE	BY	SCALE: To Fit	DRN BY: JRN DATE: 06/24/21 APRVD: [Signature] SIZE: C 108868DG SHT.1 OF 1