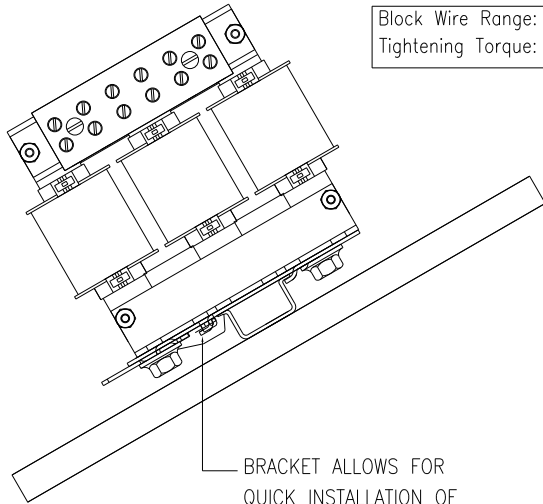
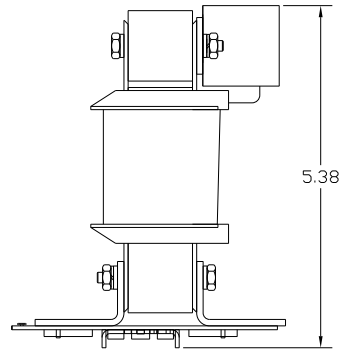
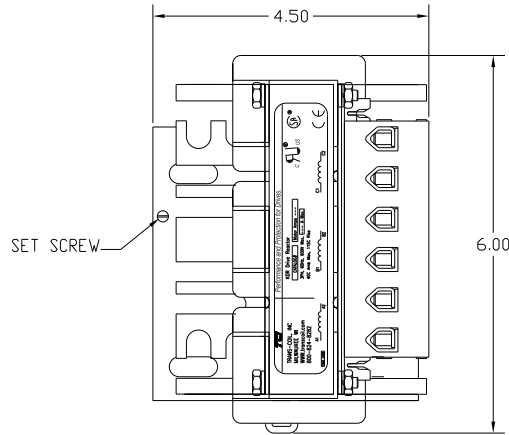


Block Wire Range: #18 to #4 AWG Solid or Stranded, Copper
 Tightening Torque: 20 LB-IN

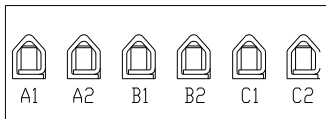


BRACKET ALLOWS FOR QUICK INSTALLATION OF REACTOR ON DIN RAIL.



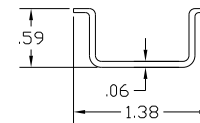
TCI		Performance and Protection for Drives.	
TRANS-COIL, INC MILWAUKEE WI WWW.transcoil.com 800-824-8282		KDR Drive Reactor	
A1 A2		C1 C2	
B1 B2		SP	
KDR Drive Reactor		CATALOG# [Motor Amps ---]	
3PH, 60Hz, 600V Max. [--- A Max.]		40C Amb. Max. 115C Rise	

NOTE: A1, A2, B1, B2, C1, C2, MARKINGS ON TERMINAL BLOCK FOR REFERENCE ONLY.

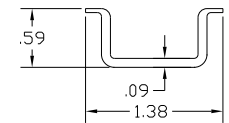


CATALOG NO	VOLTAGE	NEC MOTOR HP	NEC MOTOR CURRENT	WATTS LOSS	APPROX. WEIGHT-LBS	TORQUE (LB-IN)
KDRBILDR	480	20	27	79	8	20

TCI'S DIN RAIL MOUNTED REACTORS FIT STANDARD SIZE DIN RAIL. TCI RECOMMENDS USING HIGH PROFILE STANDARD STEEL RAIL OR HEAVY DUTY STANDARD STEEL DIN RAIL.



STANDARD STEEL HIGH PROFILE DIN RAIL.



HEAVY DUTY STEEL DIN RAIL.

TCI RECOMMENDS TAKING PRECAUTIONS WHEN SHIPPING MOUNTED REACTORS.

				TOLERANCES EXCEPT AS NOTED:		TCI 7878 N. 86th STREET MILWAUKEE, WI 53224	
				XX ± .03		KDR B FRAME DINRAIL REACTOR	
				XXX ± .01			
				FRACTIONAL ± 1/32			
				DECIMAL ± 1/2"		REV. BY DSW DATE 11/29/11	
				SCALE NONE		APPV. J D KDRBIL DRDG	
						SHT. 1 OF 1	