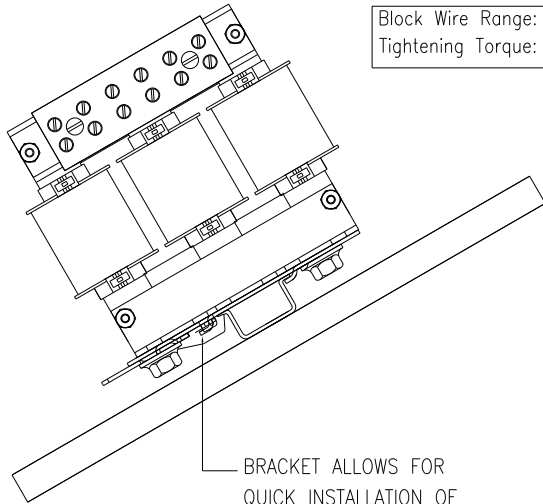
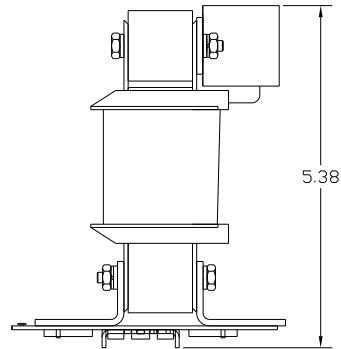
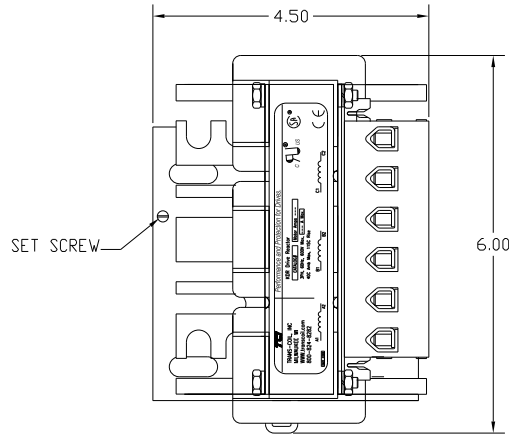


Block Wire Range: #18 to #4 AWG Solid or Stranded, Copper  
 Tightening Torque: 20 LB-IN

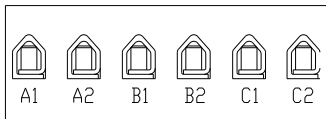


BRACKET ALLOWS FOR QUICK INSTALLATION OF REACTOR ON DIN RAIL.



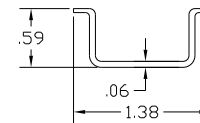
<b>TCI</b>		Performance and Protection for Drives.	
TRANS-COIL, INC MILWAUKEE WI WWW.transcoil.com 800-824-8282		KDR Drive Reactor CATALOG# [Motor Amps ---] 3PH, 60Hz, 600V Max. [--- A Max.] 40C Amb. Max. 115C Rise	

NOTE: A1, A2, B1, B2, C1, C2, MARKINGS ON TERMINAL BLOCK FOR REFERENCE ONLY.

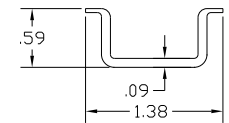


CATALOG NO	VOLTAGE	NEC MOTOR HP	NEC MOTOR CURRENT	WATTS LOSS	APPROX. WEIGHT-LBS	TORQUE (LB-IN)
KDRB2HDR	480	15	21	133	7	20

TCI'S DIN RAIL MOUNTED REACTORS FIT STANDARD SIZE DIN RAIL. TCI RECOMMENDS USING HIGH PROFILE STANDARD STEEL RAIL OR HEAVY DUTY STANDARD STEEL DIN RAIL.



STANDARD STEEL HIGH PROFILE DIN RAIL.



HEAVY DUTY STEEL DIN RAIL.

TCI RECOMMENDS TAKING PRECAUTIONS WHEN SHIPPING MOUNTED REACTORS.

				TOLERANCES EXCEPT AS NOTED:		<b>TCI</b> 7878 N. 86th STREET MILWAUKEE, WI 53224	
				XX ± .03		KDR B FRAME DINRAIL REACTOR	
				XXX ± .01			
				FRACTIONAL ± 1/32			
				DECIMAL ± 1/2"			
NO	REVISION	DATE	BY	DESIGNED BY	DATE	APP'D BY	CHK'D BY
				DSW	11/29/11	J	KDRB2HDRDG
				NONE			SHT. 1 OF 1