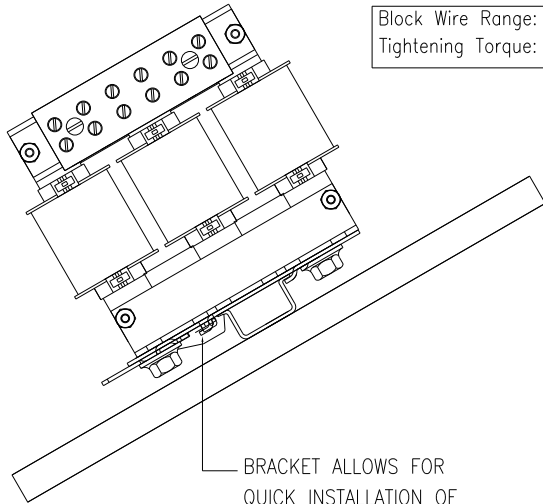
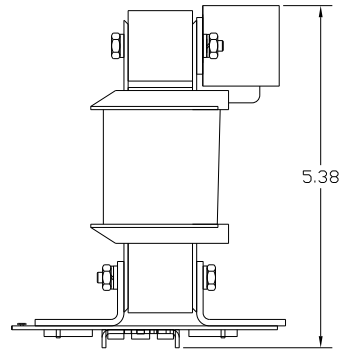
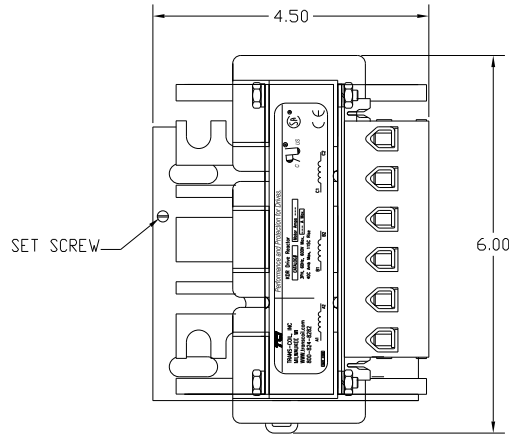


Block Wire Range: #18 to #4 AWG Solid or Stranded, Copper
 Tightening Torque: 20 LB-IN

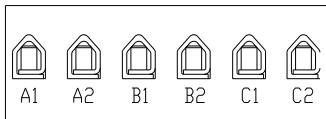


BRACKET ALLOWS FOR QUICK INSTALLATION OF REACTOR ON DIN RAIL.



TCI		Performance and Protection for Drives.	
TRANS-COIL, INC MILWAUKEE WI WWW.transcoil.com 800-824-8282		KDR Drive Reactor	
A1 A2		C1 C2	
B1 B2		SP	
40C Amb. Max. 115C Rise		CE	

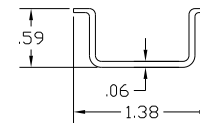
NOTE: A1, A2, B1, B2, C1, C2, MARKINGS ON TERMINAL BLOCK FOR REFERENCE ONLY.



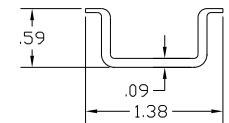
CATALOG NO	VOLTAGE	NEC MOTOR HP	NEC MOTOR CURRENT	WATTS LOSS	APPROX. WEIGHT-LBS	TORQUE (LB-IN)
KDRB43HDR	575/600	10	11	71	8	20

NEC MOTOR CURRENTS SHOWN IN THE 208/240 VOLT CHART ARE BASED ON HORSE POWERS AT 208 VOLT. 575/600 VOLT CHART USE THE 575 VOLT CURRENT RATING.

TCI'S DIN RAIL MOUNTED REACTORS FIT STANDARD SIZE DIN RAIL. TCI RECOMMENDS USING HIGH PROFILE STANDARD STEEL RAIL OR HEAVY DUTY STANDARD STEEL DIN RAIL.



STANDARD STEEL HIGH PROFILE DIN RAIL.



HEAVY DUTY STEEL DIN RAIL.

TCI RECOMMENDS TAKING PRECAUTIONS WHEN SHIPPING MOUNTED REACTORS.

				TOLERANCES EXCEPT AS NOTED:		TCI 7878 N. 86th STREET MILWAUKEE, WI 53224	
				XX ± .03		KDR B FRAME DINRAIL REACTOR	
				XXX ± .01			
				FRACTIONAL ± 1/32			
				DECIMAL ± 1/2"		REV. BY DSW DATE 11/29/11	
				APPROX ± 1/2"		APPV D	
NO	REVISION	DATE	BY	SCALE	DSW	DATE	NO. OF SHEETS
				NONE		11/29/11	1 OF 1