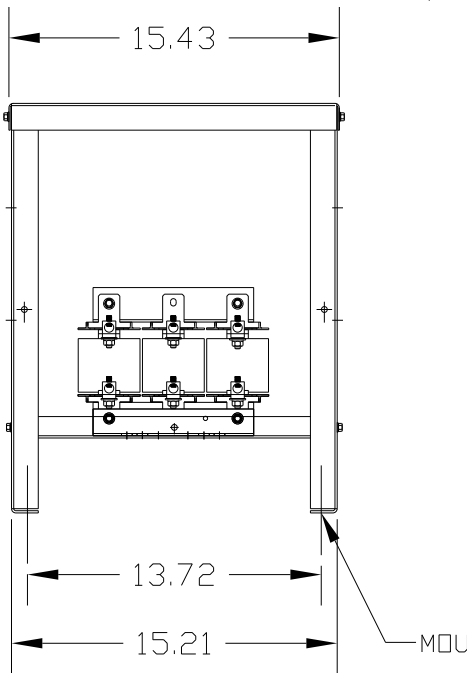
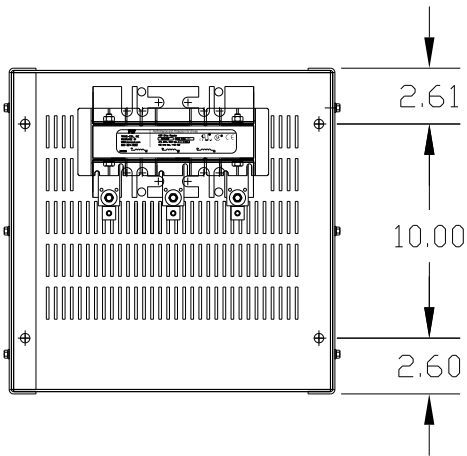
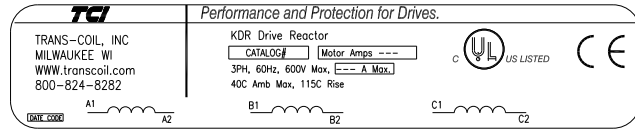


CATALOG NO	VOLTAGE	NEC MOTOR HP	NEC MOTOR CURRENT	WATTS LOSS	APPROX. WEIGHT-LBS	TORQUE (LB-IN)
KDRULF3LE01	480	75	96	193	67	120



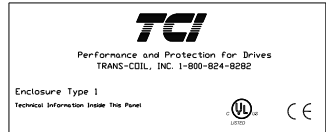
.44 DIA MOUNTING HOLES
4 PLACES.

CUSTOMER IS RESPONSIBLE FOR INSTALLATION TO MEET ALL LOCAL AND NATIONAL CODES

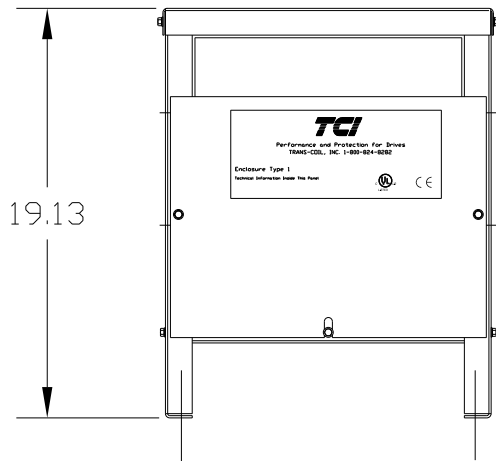


LABEL PLACED ON INSIDE WALL OF CABINET.

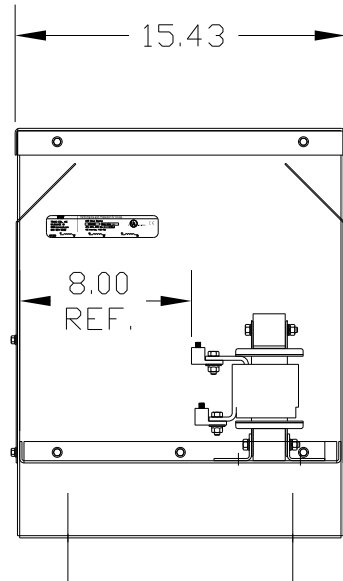
RECOMMENDED CONDUIT ENTRANCE AREA - LEFT FRONT SIDE, BOTTOM FRONT, RIGHT FRONT SIDE AND TOP.



LABEL PLACED ON FRONT OF CABINET.




LUG WIRE RANGE 2/0-6, AL OR CU.
FOR REACTOR.
TIGHTENING TORQUE. 120 LB-IN



VENDOR LILLY POWDER COATINGS, INC.
PRODUCT CODE 312E
COLOR PEBBLE GRAY
POWDER TYPE POLYESTER POLYURETHANE

PAINT SUITABLE FOR OUTDOOR APPLICATION PER UL TYPE 3R AND APPLIED PER A UL ACCEPTED DTW2 COATING PROGRAM.

				TOLERANCES (EXCEPT AS NOTED): DECIMAL .XX ± .03 .XXX ± .01 FRACTIONAL ± 1/32 ANGULAR ± 1/2°	 8778 N. 86th STREET MILWAUKEE, WI 53224 KDR DRIVE REACTOR 480V, ENCLOSED, TYPE 1
NO	REVISION	DATE	BY	DRN. BY DSW DATE 6/21/04 DWG. NO. BKDRULF3LE01DG SCALE APRVD. SHT. 1 OF 1	