

BALDOR® • RELIANCE 

Product Information Packet

IDBRPM321254

125HP,1780RPM,3PH,N/AHZ,L3203,TEBC,FOOT,

Part Detail							
Revision:	A	Status:	INA/A	Change #:		Proprietary:	No
Type:	AC	Elec. Spec:	L1656A	CD Diagram:	422927-001	Mfg Plant:	
Mech. Spec:		Layout:	616763-001	Poles:	04	Created Date:	04-10-2015
Base:		Eff. Date:	09-25-2018	Leads:			

Specs			
Catalog Number:	IDBRPM321254		
Enclosure:	TEBC		
Frame:	L3203		
Frame Material:	Exposed Laminations		
Output @ Frequency:	125.000 HP @ 60 HZ		
Synchronous Speed @ Frequency:	1800 RPM @ 60 HZ		
Voltage @ Frequency:	460.0 V @ 60 HZ		
Agency Approvals:	CCSA US		
Auxillary Box:	No Auxillary Box		
Base Indicator:	Rigid		
Bearing Grease Type:	Polyrex EM (-20F +300F)		
Current @ Voltage:	150.000 A @ 460.0 V		
Duty Rating:	CONT		
Feedback Device:	NO FEEDBACK		
Frame Prefix:	L		
Heater Indicator:	No Heater		
Insulation Class:	H		
Mounting Arrangement:	F3		

Product Family:	General Industrial		
Pulley End Bearing Type:	Ball		
Pulley Face Code:	Standard		
Shaft Ground Indicator:	No Shaft Grounding		
Shaft Rotation:	Reversible		
Motor Standards:	NEMA		
Thermal Device - Bearing:	None		
Thermal Device - Winding:	Normally Closed Thermostat		

Nameplate 000613006NS										
	DUTY	HP	RPM	AMPS	VOLTS	HZ				
	CONT	125	1780	150	460	60				
	CONT	125	3560	141	460	120				
CAT.NO.	IDBRPM321254		SPEC. NO.		P32L0230					
SER.NO.			FR	L 3203	INSUL	H				
PH.	3		MAX SAFE SPEED	4000	AMB.	40			MIN. AMB.	-25
DESIGN NO.	L1656A		TYPE		ENCL.	TEAO-BC				
S.F.	1.0		D.E. BRG.	85BC02J30X						
ENCL MOD			O.D.E. BRG.	65BC02J30X						

Parts List		
Part Number	Description	Quantity
WS286661	WS P32L0230	1.000 EA
RA282869	RA P32L0230	1.000 EA
000613006NS	RPM AC WITH CERTIFIED LOGO	1.000 EA
000692000FP	NP, WARNING LIFT INSTRUCTIONS	1.000 EA
418057747A	METAL FASTENER	8.000 EA
000692000NH	LABEL DIRECTION AIR FL	1.000 EA
000692000VD	LABEL WARNING	1.000 EA
418056062B	NP AC BLOWER DATA	1.000 EA
422927001	C/D LABEL	1.000 EA
034693001AB	PPLG - G508- use 034692001AB	1.000 EA
034693001AB	PPLG - G508- use 034692001AB	1.000 EA
035000001A	ALFTG 1/8" 1610-BL	1.000 EA
035000001BC	ALFTG 1/8" 1613-B - 280	1.000 EA
036000100KB	HHCS,ODE CAP	3.000 EA
036100070JA	SHCS M8 70MM UNPLATED	3.000 EA
036140001D	EYEBOLT - 360	2.000 EA
036500013AB	HX NUT,ODE BRKT	4.000 EA
036500013AB	HX NUT,ODE BRKT	4.000 EA
048977006B	GRFTG - XP	1.000 EA
400638001AF	WWSHR OS-H-KK-2	1.000 EA
418150003A	GREASE FITTING CAP	2.000 EA
609830005ABX	THRUBOLT 24.25	4.000 EA
807520002A	BRKT,ODE,L320	1.000 EA
807521002A	BRKT,DE,L320	1.000 EA

Parts List (continued)		
Part Number	Description	Quantity
004824015A	GREASE POLYREX EM	0.400 LB
036000012HB	HHCS M6X12MM LONG PLATED	4.000 EA
036000016JB	HHCS M8-1.25X16MMPLTD-250	4.000 EA
036000016KB	HHCSM10-1.5X16MM PLTD-280	4.000 EA
418018074A	GROUND LABEL G100 METRIC 160 D.C.	3.000 EA
036000020JB	HHCS M8-1.25X20L PLTD-250	4.000 EA
036320012FB	CTSKHMS	4.000 EA
036600009AB	METRIC FLWASH M8 PLATED	4.000 EA
036610009AB	MHSLW M8 SPL.PLTD-G508- BS	4.000 EA
036620009AB	M8 EXTERNAL LK WASHER	1.000 EA
036620010AB	M10 EXT. TOOTH LK WASHER	2.000 EA
074875000A	CONDUIT BOX COVER	1.000 EA
402731000A	GASK 320-400	1.000 EA
412043012A	PLUG	1.000 EA
036000016KB	HHCSM10-1.5X16MM PLTD-280	2.000 EA
417733004D	GASKET CONDUIT BOX	1.000 EA
417077-141	BLWR MTR	1.000 EA
415000103G	TLUG	1.000 EA
706305020A	GUARD, SHAFT	1.000 EA
706320009A	CB, 2.00 CONDUIT, METRIC, SHEET METAL	1.000 EA
804814017A	FNCVR	1.000 EA
000640000P	TAG WINDING THERMOST	1.000 EA
004824007K	SPECIAL PAINT	0.200 EA
034180034JA	3/4X3/4 X 41/4 L KEY	1.000 EA

REL. S.O. - VOLTS 460 ENCLOSURE TEBC WYE CONN EQ CKT OHMS PER PHASE
 FRAME L3203 AMPS 150 MAX SAFE RPM 4000 (AT BASE RATING, 25 °C)
 HP 125 DUTY CONT IM (AMPS) 67 R1 .0169 X1 .126
 BASE SPEED 1780 S.F. 1.0 P.F.@NL/FL .037/.84 R2 .0140 X2 .165
 PHASE/HERTZ 3/60 AMB °C/INSUL 40/H Wk² (Lb-FT²) 21.3 XM 3.97

RATED FULL LOAD DATA

	RPM	HP	TORQUE LB-FT	FUND VOLTS	FREQ-HZ	AMPS
BASE SPEED	1782	125	368	460	60	150
MAX SPEED	3562	125	184	460	120	141
MIN SPEED	0	0	0	7.60	.587	150


LOAD PERFORMANCE AT BASE SPEED

	RPM	HP	TORQUE LB-FT	FUND VOLTS	FREQ-HZ	AMPS
NO LOAD	1800	0	0	460	60	65.2
1/4	1796	31.3	91	460	60	74.9
1/2	1791	62.5	183	460	60	94.7
3/4	1787	93.7	275	460	60	121
FULL LOAD	1782	125	368	460	60	150
O/L	1773	187	553	460	60	213

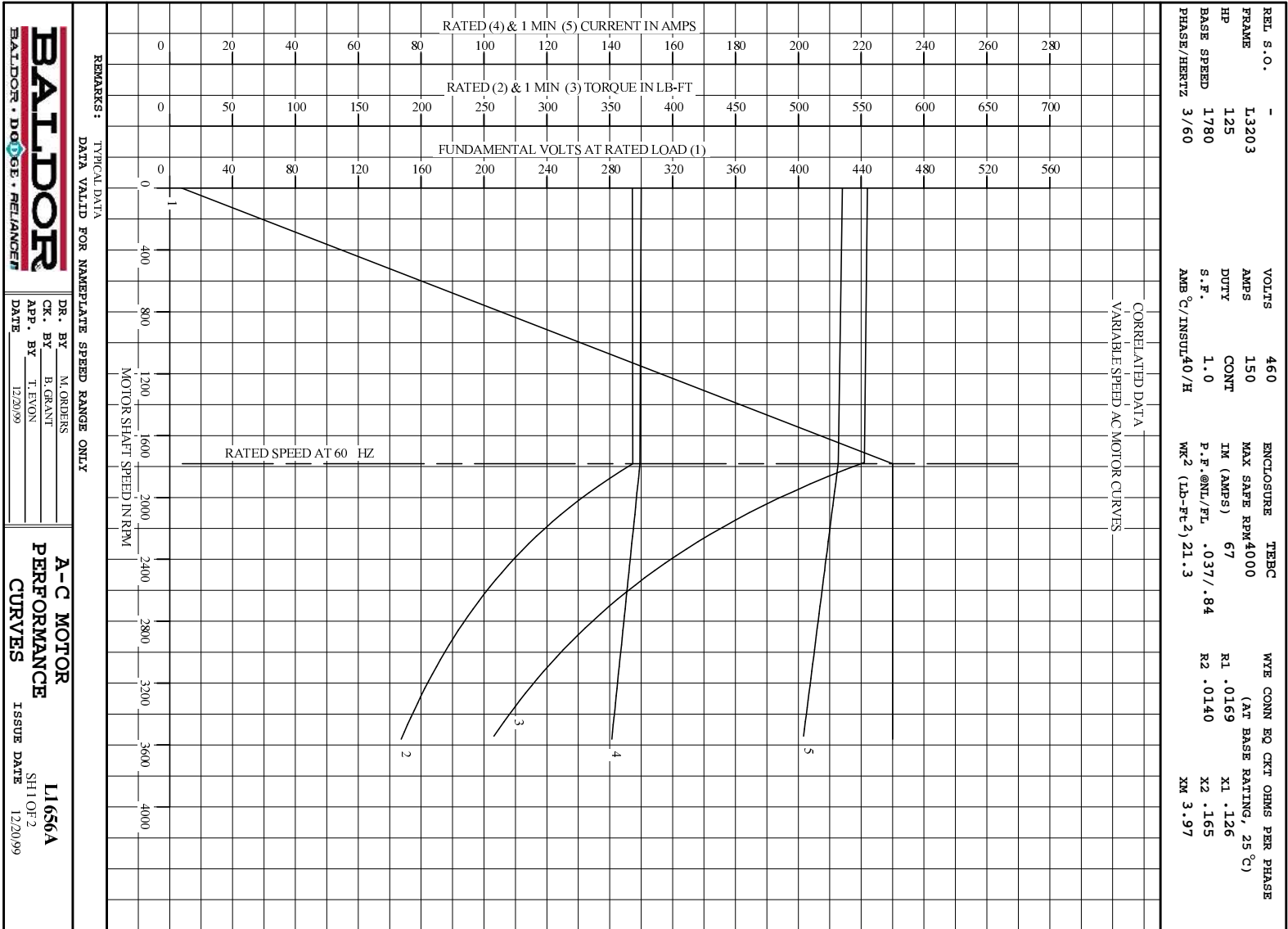
BLOWER DATA

VOLTS	PH/HZ	FL AMPS	LR AMPS	FRAME	CFM

REMARKS: TYPICAL DATA
CORRELATED DATA

	DR. BY _____ M. ORDERS	A-C MOTOR PERFORMANCE DATA L11656A ISSUE DATE 12/20/99
	CK. BY _____ B. GRANT	
	APP. BY _____ T. EVON DATE 12/20/99	

1

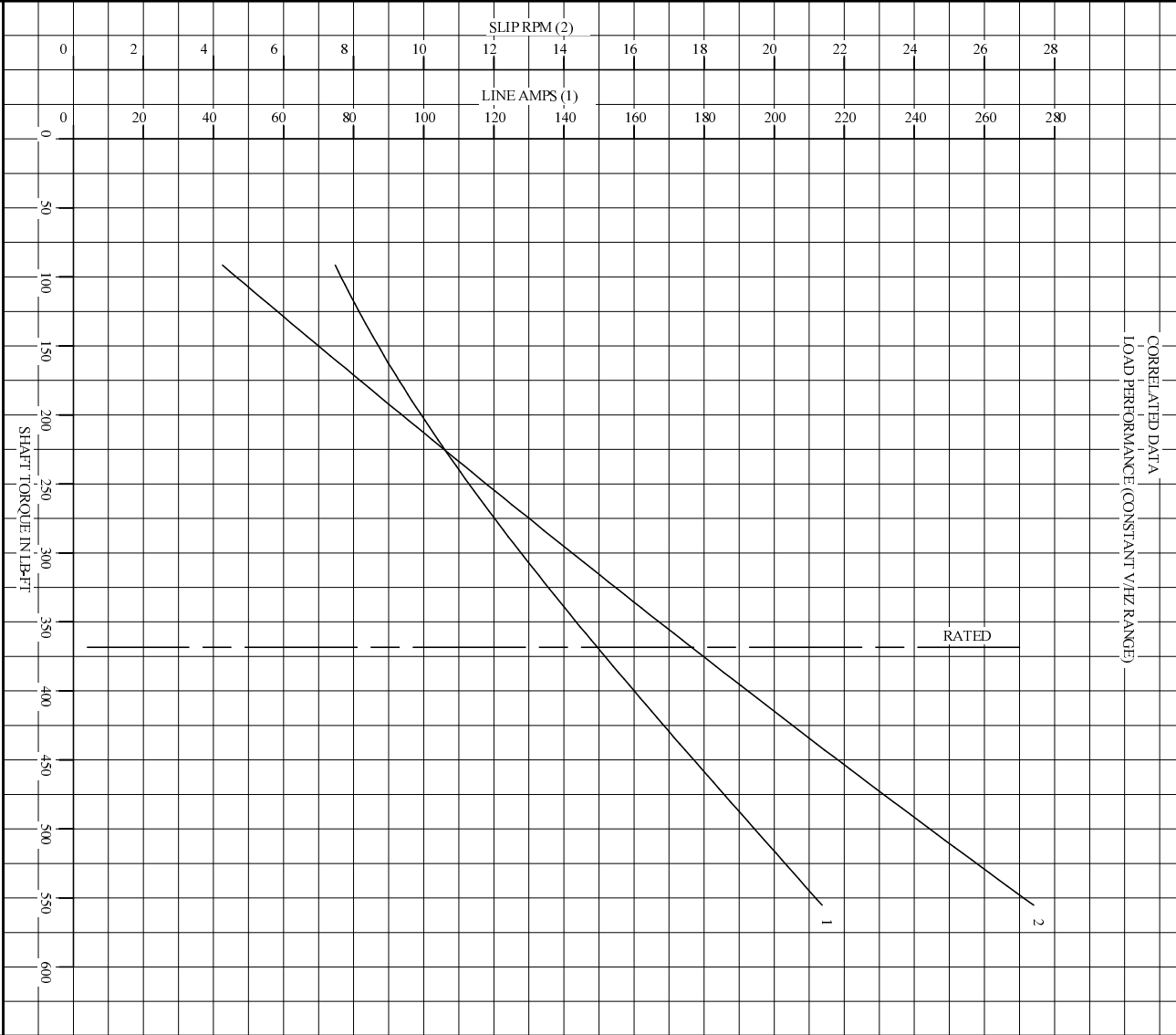


BALDOR
BALDOR • DOUGLASS • RELIANCE

DR. BY M. GRUBBS
CK. BY B. GRANT
APP. BY T. EVON
DATE 12/20/99

A-C MOTOR
PERFORMANCE
CURVES
L1656A
SH 1 OF 2
ISSUE DATE 12/20/99

REL S.O.	-	VOLTS	460	ENCLOSURE	TEBC	WYE CONN EQ CKT OHMS PER PHASE
FRAME	I3203	AMPS	150	MAX SAFE RPM	4000	(AT BASE RATING, 25°C)
HP	125	DUTY	CONT	IM (AMPS)	67	X1 .126
BASE SPEED	1780	S.F.	1.0	P.F.@NL/FL	.037/.84	R1 .0169 R2 .0140 X2 .165
PHASE/HERTZ	3/60	AMB C/INSUL	40/H	WK ² (LB-FT ²)	21.3	XN 3.97



REMARKS: TYPICAL DATA
DATA VALID FOR NAMEPLATE SPEED RANGE ONLY

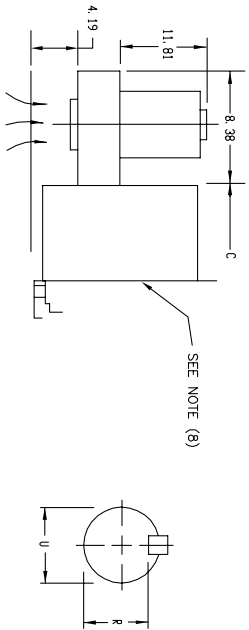
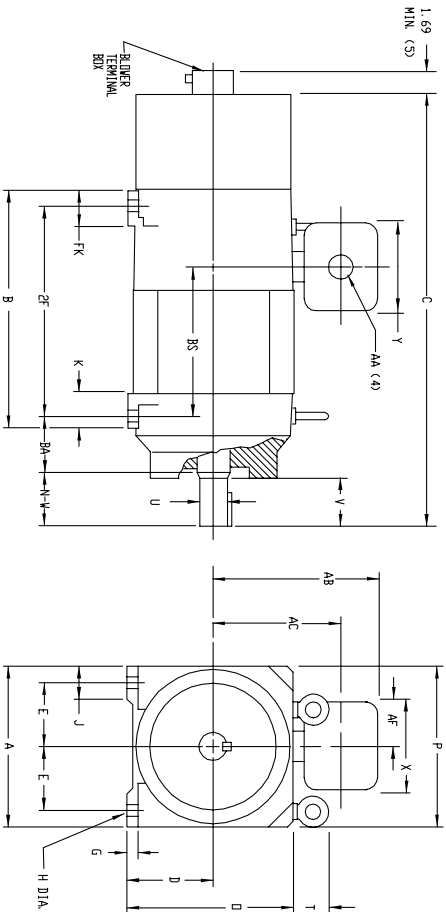
 BALDOR • DOUG • RELIANCE	DR. BY	M. ORDERS	A-C MOTOR PERFORMANCE CURVES	LI656A SH20F2 ISSUE DATE 12/20/99
	CK. BY	B. GRANT		
	APP. BY	T. EVON		
	DATE	12/20/99		

**VARIABLE SPEED ALTERNATING CURRENT MOTORS
RPM AC**

ENCLOSURE: TOTALLY ENCLOSED
MOUNTING: FOOT
DRIVE METHOD: COUPLED OR BELTED

FRAMES L3203Z THRU UL3213Z

COOLING: BLOWER COOLED
AIR-OVER INLINE
PROVISIONS FOR
TACHOMETER MOUNTING
ONLY WHEN SPECIFIED



DIMENSIONS ARE IN INCHES

FRAME	A	DK(1)	E	G	H	J	D	P	T	BA	K	FK
L3203Z THRU UL3213Z	15.50	8.00	6.25	.88	.69	3.00	15.81	15.62	3.06	5.25	3.25	8.00

FRAME	C (6)	B	BS	ZF	DRIVE END SHAFT AND KEY				WT. LBS.		
					N-M	U(2)	V	R(3)		SQ	LGTH.
UL&L3203Z	44.25	27.75	20.94	25.75	5.75	2.875	5.50	2.450	.750	4.25	1170
UL&L3213Z	46.75	30.25	23.44	28.25	5.75	2.875	5.50	2.450	.750	4.25	1310

- (1) *Z* DIMENSION WILL NOT BE EXCEEDED, SHIMS UP TO .03 INCHES IN THICKNESS
 - (2) ARE USUALLY REQUIRED FOR COUPLED OR GEARED MACHINES.
 - (3) UP VARIABLES -- +.000 - .001
 - (4) FOR TERMINAL BOX DIMENSIONS *4K*, *4P*, *4R*, *4S*, *4T*, *4U*, *4V*, *4W*, *4X*, *4Y*, *4Z* DIMENSIONS TO BODY OF MOTOR. DIMENSIONS TO END OF FEEDBACK DIMENSIONS TO BODY OF MOTOR. DIMENSIONS TO END OF FEEDBACK DIMENSIONS TO BODY OF MOTOR.
 - (5) *VARS* OR OBSTRUCTIONS MUST NOT ENDOUGH ON AIR INLET SPACE.
 - (6) *C* DIMENSION IS OVERALL LENGTH WITH OR WITHOUT THE FEEDBACK DEVICES SHOWN ON DS 616779-10 FOR TEAD-BC.
 - (7) REFER TO DS 616779-10 (TEAD-BC) FOR TACH CONNECTION DIMENSIONS.
 - (8) DIMENSIONS FOR *X1* FEATURES OR CENTRIFUGAL BLOWER ONLY.
- TERMINAL BOX CAN BE ROTATED IN 90 DEG. INCREMENTS.
TERMINAL BOX MOUNTED ON TOP AS STANDARD.
TERMINAL BOX CAN BE LOCATED ON SIDE IN F1 OR F2 POSITION WHEN SPECIFIED.
MOTOR WEIGHT MAY VARY 15% FOR NON-STANDARD RATINGS AND/OR ACCESSORIES.
IF MOUNTING CLEARANCE DETAILS ARE REQUIRED, CONSULT FACTORY.
FRAME PREFIX UL = ROLLER BEARING
FRAME PREFIX L = BALL BEARINGS

100-697919

CUSTOMER IS RESPONSIBLE FOR DETERMINING THAT BALDOR'S PRODUCT WILL PERFORM SUITABLY IN THE INTENDED APPLICATION.

REV. DESC: ADD NOTE: CENTRIFUGAL STYLE BLOWERS	VERSION: 01	TDR: 000000740277
REV. LTR: A	REVISED: 04:09:59 03/29/2012	BY: RGGTBI
FILE: \RGG\00003\683		
MTL: -		

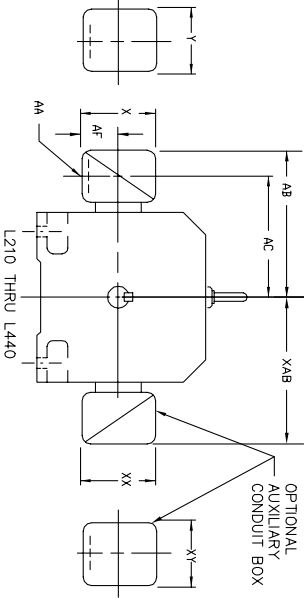
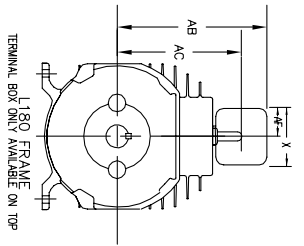
BALDOR

DIM SHT L3203Z THRU UL3213Z RPM AC TEBC AO INLINE FT MTG

SH 1 of 1

RPM AC INDUSTRIAL ALTERNATING CURRENT MOTORS

STEEL, CAST IRON, MILL AND TERMINAL BOARD CONDUIT BOX DIMENSIONS
NEMA FRAMES L180 thru L440 and IEC FRAMES DL112 thru DL280



DIMENSIONS ARE IN INCHES (mm)

STEEL TERMINAL BOX DIMENSIONS (MAXIMUM)						CAST IRON TERMINAL BOX DIMENSIONS (MAXIMUM)					
FRAME SIZE	MAX AMPS	AK(1)	AB	AC	AF	STANDARD SIZE	MAX AMPS	AK(2)	AB	AC	AF
L180	40	1.38	8.62	6.94	2.25	4.50	5.00	706320-3-A			
L210	75	2	9.38	7.50	2.81	5.62	6.12	706320-3-A	L180	60	1
L210	160	2	12.75	9.19	4.25	8.44	7.25	706320-3-A & D	L210	140	3
L210	305	4	14.62	10.50	5.38	10.56	9.00	706320-16-A & D	L210	210	4
L210	500	5	18.38	13.81	6.50	12.10	14.62	706320-16-A & D	L210	510	5
L250	160	2	13.75	10.63	4.25	8.44	7.25	706320-3-A & D	L250	140	3
L250	305	4	15.75	11.56	5.38	10.56	9.00	706320-16-A & D	L250	210	4
L250	500	5	19.50	14.31	6.50	12.10	14.62	706320-16-A & D	L250	510	5
L280	160	2	14.00	10.44	4.25	8.44	7.25	706320-3-A & D	L280	140	3
L280	305	4	15.88	11.75	5.38	10.56	9.00	706320-16-A & D	L280	210	4
L280	500	5	19.62	14.50	6.50	12.10	14.62	706320-16-A & D	L280	510	5
L320	160	2	13.38	11.81	4.25	8.44	7.25	706320-3-A & D	L320	140	3
L320	305	4	17.25	13.12	5.38	10.56	9.00	706320-16-A & D	L320	210	4
L320	500	5	21.00	15.88	6.50	12.10	14.62	706320-16-A & D	L320	510	5
L360	160	2	16.38	12.81	4.25	8.44	7.25	706320-3-A & D	L360	140	3
L360	305	4	18.25	14.12	5.38	10.56	9.00	706320-16-A & D	L360	210	4
L360	500	5	22.00	16.88	6.50	12.10	14.62	706320-16-A & D	L360	510	5

MILL CONDUIT BOX DIMENSIONS (MAXIMUM)					
FRAME SIZE	MAX AMPS	AA	AB	AC	AF
L210	160	1.60	10.78	8.41	3.50
L250	160	1.60	11.84	9.47	3.50
L280	160	1.60	12.75	10.75	3.50
L320	160	1.60	14.75	11.34	4.50
L360	160	1.60	15.47	12.06	4.50
L400	160	1.60	16.47	13.06	4.50
L440	160	1.60	18.00	15.00	4.50
L440	1260	1260	27.38	19.88	6.06

IEC CONDUIT BOX DIMENSIONS WITH TERMINAL BOARDS (MAXIMUM)											
FRAME NEMA/IEC	AMP'S	AA	AB (mm)	AC (mm)	AF (mm)	X (mm)	Y (mm)	PART NUMBER	PART NUMBER	PART NUMBER	PART NUMBER
L180/UL112	85	<4>	9.38(239)	7.50(191)	2.81(72)	5.62(143)	6.12(156)	706320-5-A or 4-C	706320-5-A or 4-C	706320-5-A or 4-C	706320-5-A or 4-C
L210/UL132	100	--	10.77(274)	9.04(230)	3.74(95)	7.48(190)	7.48(190)	706310-56-A	706310-56-A	706310-225-R	706310-225-R
L250/UL160	160	--	11.63(296)	9.62(245)	4.41(112)	8.82(224)	8.82(224)	706310-56-B	706310-56-B	706310-225-R	706310-225-R
L320/UL180	160	--	12.09(307)	10.36(264)	3.74(95)	7.48(190)	7.48(190)	706310-56-A	706310-56-A	706310-225-R	706310-225-R
L360/UL200	160	--	12.95(329)	10.94(278)	4.41(112)	8.82(224)	8.82(224)	706310-56-B	706310-56-B	706310-225-R	706310-225-R
L400/UL250	160	--	13.58(345)	11.57(294)	4.41(112)	8.82(224)	8.82(224)	706310-56-B	706310-56-B	706310-225-R	706310-225-R
L440/UL280	160	--	13.99(355)	12.06(306)	4.41(112)	8.82(224)	8.82(224)	706310-56-B	706310-56-B	706310-225-R	706310-225-R
L320/UL180	400	--	19.09(485)	14.37(365)	6.20(158)	14.39(366)	14.39(366)	706310-63-B	706310-63-B	706310-63-B	706310-63-B
L360/UL200	800	--	20.06(510)	17.53(446)	6.20(158)	14.39(366)	14.39(366)	706310-63-B	706310-63-B	706310-63-B	706310-63-B
L400/UL250	800	--	20.78(528)	18.25(464)	6.20(158)	14.39(366)	14.39(366)	706310-63-B	706310-63-B	706310-63-B	706310-63-B
L440/UL280	1260	--	25.94(659)	18.44(468)	6.06(154)	18.50(470)	18.50(470)	706310-63-E	706310-63-E	706310-63-E	706310-63-E
L440/UL280	1260	--	27.38(696)	19.88(505)	6.06(154)	18.50(470)	18.50(470)	706310-63-E	706310-63-E	706310-63-E	706310-63-E
L440/UL280	1300	--	30.38(772)	21.38(543)	12.44(316)	24.00(610)	24.00(610)	706310-360-A	706310-360-A	706310-360-A	706310-360-A

DEPT. AUXILIARY CONDUIT BOX DIMENSIONS (MAXIMUM)											
FRAME SIZE	XY	XY	XY	XY	XY	XY	XY	XY	XY	XY	XY
L210/UL132	7.48	4.25	4.25	6.02007-26-A	L210/UL132	10.88	8.00	8.00	8.00	706310-3-B	706310-3-B
L250/UL160	8.44	4.25	4.25	6.02007-26-A	L250/UL160	11.88	8.00	8.00	8.00	706310-3-B	706310-3-B
L280/UL180	9.12	4.25	4.25	6.02007-26-A	L280/UL180	12.62	8.00	8.00	8.00	706310-3-B	706310-3-B
L320/UL200	10.00	4.25	4.25	6.02007-26-A	L320/UL200	13.50	8.00	8.00	8.00	706310-3-B	706310-3-B
L360/UL225	11.00	4.25	4.25	6.02007-26-A	L360/UL225	14.50	8.00	8.00	8.00	706310-3-B	706310-3-B
L400/UL250	12.00	4.25	4.25	6.02007-26-A	L400/UL250	15.50	8.00	8.00	8.00	706310-3-B	706310-3-B
L440/UL280	13.12	4.25	4.25	6.02007-26-A	L440/UL280	16.62	8.00	8.00	8.00	706310-3-B	706310-3-B

(1) *AF CONDUIT.
(2) *AF PIPE TAP.
(3) *CUSTOMER PROVIDED.
(4) 2" DN -5A or 1" TAP DN -4C
CONDUIT BOX CAN BE ROTATED 360°. CONDUIT BOX MAY BE LOCATED FL, F2 OR F3 AS SPECIFIED

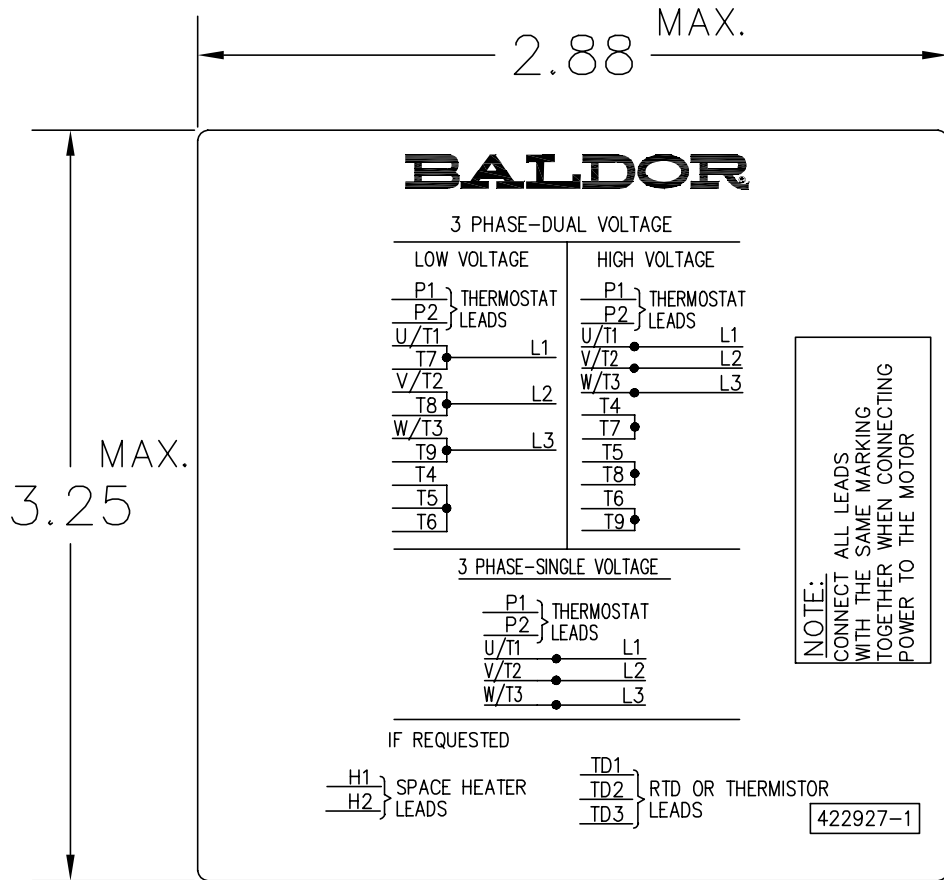
CUSTOMER IS RESPONSIBLE FOR DETERMINING THAT BALDOR'S PRODUCT WILL PERFORM SUITABLY IN THE INTENDED APPLICATION.

REV. DESC: ADD 1260 AMP L400, ADD 1300 AMP L440	TDR: 000000804459
REV. LTR: A	VERSION: 01
FILE: \RGG\00003\688	REVISED: 10: 23: 58 06/18/2013
MTL: -	BY: RGGWT



DIM SHT NEMA L180 THRU L440 & IEC DL112 THRU DL280

422927-001



NOTE:
DATA TO BE SIZED
SO THAT IT FITS INTO
MATERIAL DECAL
DIMENSIONS. MAKE
LETTERS & NUMBERS
AS LARGE AS POSSIBLE.

MATERIAL: CERAMATIC DGF-P4
PERMA GRIP ADHESIVE

ALL LETTERS, NUMBERS
AND LINES TO BE BLACK
ON WHITE BACKGROUND.

NOTE:
CONNECT ALL LEADS
WITH THE SAME MARKING
TOGETHER WHEN CONNECTING
POWER TO THE MOTOR

422927-001

REV. DESC: CHANGE BACKGROUND COLOR FROM GOLD TO WHITE		
REV. LTR: B	VERSION: 02	TDR: 000000788708
FILE: \RGG\00000\203	REVISED: 08:09:29 03/04/2013	
MTL: -	BY: RGGWT	

BALDOR

EXTERNAL CONNECTION LABEL

SH 1 of 1

Marketing maintained PDF of MN406:

<http://www.baldor.com/support/Literature/Load.ashx/MN406?ManNumber=MN406>