

BALDOR® • RELIANCE 

Product Information Packet

IDDRPM21404

40HP,1750RPM,3PH,N/AHZ,2162,DPG-FV,

Part Detail							
Revision:	-	Status:	PRD/A	Change #:		Proprietary:	No
Type:	AC	Elec. Spec:	L0231A	CD Diagram:	422927-001	Mfg Plant:	
Mech. Spec:		Layout:	617202-001	Poles:	04	Created Date:	04-10-2015
Base:		Eff. Date:	04-13-2015	Leads:			

Specs			
Catalog Number:	IDDRPM21404		
Enclosure:	DPFV		
Frame:	RL2162		
Frame Material:	Exposed Laminations		
Output @ Frequency:	40.000 HP @ 60 HZ		
Synchronous Speed @ Frequency:	1800 RPM @ 60 HZ		
Voltage @ Frequency:	460.0 V @ 60 HZ		
Agency Approvals:	CCSA US		
	UR		
Auxillary Box:	No Auxillary Box		
Base Indicator:	Rigid		
Bearing Grease Type:	No Grease		
Current @ Voltage:	52.000 A @ 460.0 V		
Duty Rating:	CONT		
Enclosure Modification:	FORCE VENT		
Feedback Device:	NO FEEDBACK		
Frame Prefix:	RL		
Heater Indicator:	No Heater		

Insulation Class:	H		
Mounting Arrangement:	F1		
Product Family:	General Industrial		
Pulley End Bearing Type:	Ball		
Pulley Face Code:	Standard		
Shaft Ground Indicator:	No Shaft Grounding		
Shaft Rotation:	Reversible		
Motor Standards:	NEMA		
Thermal Device - Bearing:	NONE (OLD)		
Thermal Device - Winding:	Normally Closed Thermostat		

Nameplate 000613006NN										
	DUTY	HP	RPM	AMPS	VOLTS	HZ				
	CONT	40	1750	52	460	60				
	CONT	40	2000	52	460	69				
CAT.NO.	IDDRPM21404		SPEC. NO.		P21R0211					
SER.NO.			FR	RL 2162	INSUL	H				
PH.	3		MAX SAFE SPEED	5000	AMB.	40			MIN. AMB.	0
DESIGN NO.	L0231A		TYPE		ENCL.	DP				
S.F.	1.00		D.E. BRG.	50BC03JPP30A						
ENCL MOD	FORCE VENT		O.D.E. BRG.	45BC02JPP30A						

Parts List		
Part Number	Description	Quantity
WS286772	WS P21R0211	1.000 EA
RA282980	RA P21R0211	1.000 EA
000613006NN	RPM AC WITH CERTIFIED LOGOS	1.000 EA
000692000FP	NP, WARNING LIFT INSTRUCTIONS	1.000 EA
000692000VD	LABEL WARNING	1.000 EA
036170004EA	ROUND HEAD DRIVE SCREW	4.000 EA
422927001	C/D LABEL	1.000 EA
036100080KA	M10-1.50X 80MM HXSOCHDCS	3.000 EA
036140001B	METRIC EYEBOLT	2.000 EA
036500010AB	METRIC NUT M10-1.5PLTD400	4.000 EA
036500010AB	METRIC NUT M10-1.5PLTD400	4.000 EA
036600010AB	MFWSH M10 PLATED	8.000 EA
400638001AB	WASHER SPRING - 210	1.000 EA
HA4054	SHORT T-DRAIN FITTING, .125" N.P.T.	1.000 EA
HA4054	SHORT T-DRAIN FITTING, .125" N.P.T.	1.000 EA
609830005ACL	STUD FRAME .375X11.38	4.000 EA
807527202DAE	BRKT,DE,RL210,DPFV	1.000 EA
807527203CCB	BRKT,ODE,RL210,DPFV	1.000 EA
000613006NT	NAME PLATE IEC	1.000 EA
032018004AK	HHCS 1/4-20X1/2 PLATED	2.000 EA
032018004DK	HHCS,DRIP COVER	4.000 EA
032018006CK	HHCS 3/8-16X3/4L PLATED	4.000 EA
034017014AB	LCKW 3/8 STD. PLATED	4.000 EA
036000012JB	M8-1.25 X 12MM HXHDC	3.000 EA

Parts List (continued)		
Part Number	Description	Quantity
036000012JB	M8-1.25 X 12MM HXHDC	4.000 EA
036000020HB	HHCS M6-1.0X20MM PLATED	4.000 EA
036000020HB	HHCS M6-1.0X20MM PLATED	8.000 EA
036321020HB	HEXSOCKET FLAT SCREW M	4.000 EA
036600009AB	METRIC FLWASH M8 PLATED	3.000 EA
036620008AB	M6 METRIC EXT LOCKWASHER	1.000 EA
065564000B	GASK 250-280	1.000 EA
075452000B	C/BOX, PAINTED 210-250	1.000 EA
075453000A	CBOXC, PAINTED 250-280	1.000 EA
410978010C	FLANGE, INLET BLOWER HSG.	1.000 EA
410978019A	SCREEN, INLET FLANGE	1.000 EA
415000103A	T/LUG #14AWG-#4AWG W/HOLE FOR .250 BOLT	1.000 EA
417733004T	GASKET CONDUIT BOX	2.000 EA
418018074A	GROUND LABEL G100 METRIC 160 D.C.	1.000 EA
422919190	HHCVR KIT,DC180,DE, LOUVERED	1.000 EA
422919190	HHCVR KIT,DC180,DE, LOUVERED	1.000 EA
609843001K	GASKET HANDHOLE COVER FE	1.000 EA
610409128A	ADAPTER, BLOWER	1.000 EA
610490001A	.5HP,3450//2850RPM,3PH,60//50HZ,56C,3420	1.000 EA
611917002AN	GASKT RL210 DPFV	1.000 EA
611965001A	WHEEL, BLOWER	1.000 EA
706305301A	GUARD, SHAFT	1.000 EA
708528004G	HOUSING, BLOWER	1.000 EA
000640000P	TAG WINDING THERMOST	1.000 EA

Product Information Packet: IDDRPM21404 - 40HP,1750RPM,3PH,N/AHZ,2162,DPG-FV,

004824007K	SPECIAL PAINT	0.100 EA
034180020GA	KEY 1/2X1/2X2-1/2 L	1.000 EA
418018116	WARNING PLATE	1.000 EA

S/O	-	VOLTS	460	ENCLOSURE		DRY		WYE	CONN EQ CKT PER PHASE (AT BASE RATING, 25°C)
FRAME	RL2162	AMPS	49.26	MAX SAFE SPEED	5000				
HP	40	DUTY	CONT	IM (AMPS)	15.52		R1 .177	X1 .748	
BASE SPEED	1750	S.F.	1.0	P.F. @NL./FL	.089/.872		R2 .113	X2 .717	
PHASE/HZ	3/60	AMB:°C/INSUL	40/H	WK³ (Lb-Ft³)	1.99			X1 17.6	


RATED FULL LOAD DATA

	RPM	HP	TORQUE LB-FT	FUND VOLTS	FREQ-HZ	AMPS
BASE SPEED	1747	40.0	120	460	60	49.6
MAX SPEED	2007	40.0	105	460	69	48.9
MIN SPEED	0	0	120	26.7	1.78	49.6

LOAD PERFORMANCE AT BASE SPEED

	RPM	HP	TORQUE LB-FT	FUND VOLTS	FREQ-HZ	AMPS
NO LOAD	1800	0	0	460	60	15.3
1/4	1788	10.0	29	460	60	19.4
1/2	1776	20.0	59	460	60	27.6
3/4	1762	30.0	89	460	60	37.7
FULL LOAD	1747	40.0	120	460	60	49.6
0/L	1707	58.6	180	460	60	76.8

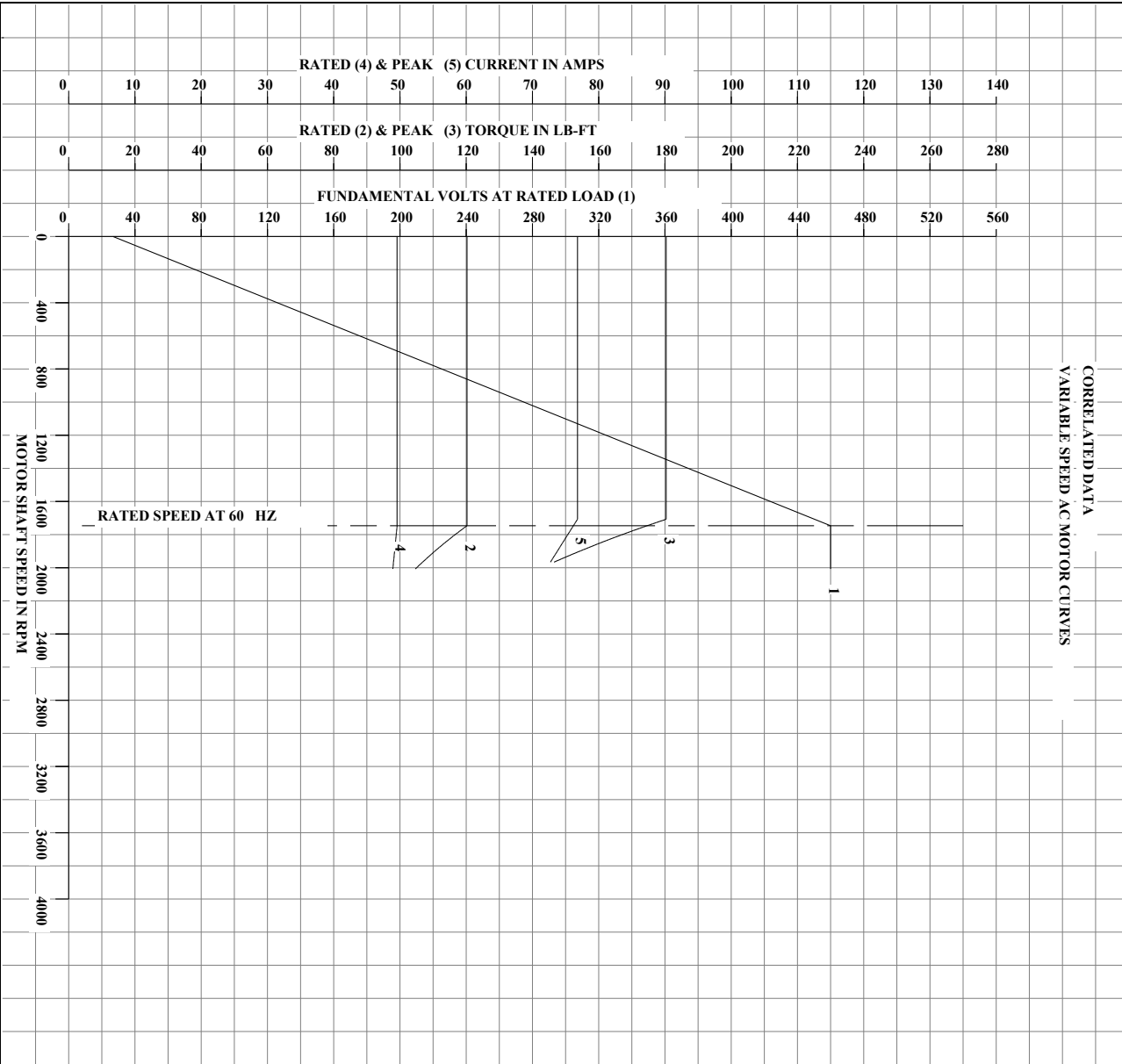
REMARKS:
TYPICAL DATA
CORRELATED DATA

	DRAWN BY: B. GRANT	AC MOTOR PERFORMANCE DATA	L0231A
	CHECKED BY: B. GRANT APPROVED BY: T. EVON DATE: 3-7-05		

USBAGRA

Printed on 03/04/2019 3:36 PM

S/O	-	VOLTS	460	ENCLOSURE	DPFV	WYE CONN EQ CKT PER PHASE (AT BASE RATING, 25°C)
FRAME	RL2162	AMPS	49.26	MAX SAFE SPEED	5000	R1 .177 X1 .748
HP	40	DUTY	CONT	IM (AMPS)	15.52	R2 .113 X2 .717
BASE SPEED	1750	S.F.	1.0	P.F. @ NL / FL	.089 / .872	X3 .717
PHASE/HZ	3/60	AMB. °C / INSUL.	40/H	WK ₂ (LB-FT ²)	1.99	X4 17.6



TYPICAL DATA. DATA VALID FOR NAMEPLATE SPEED RANGE ONLY



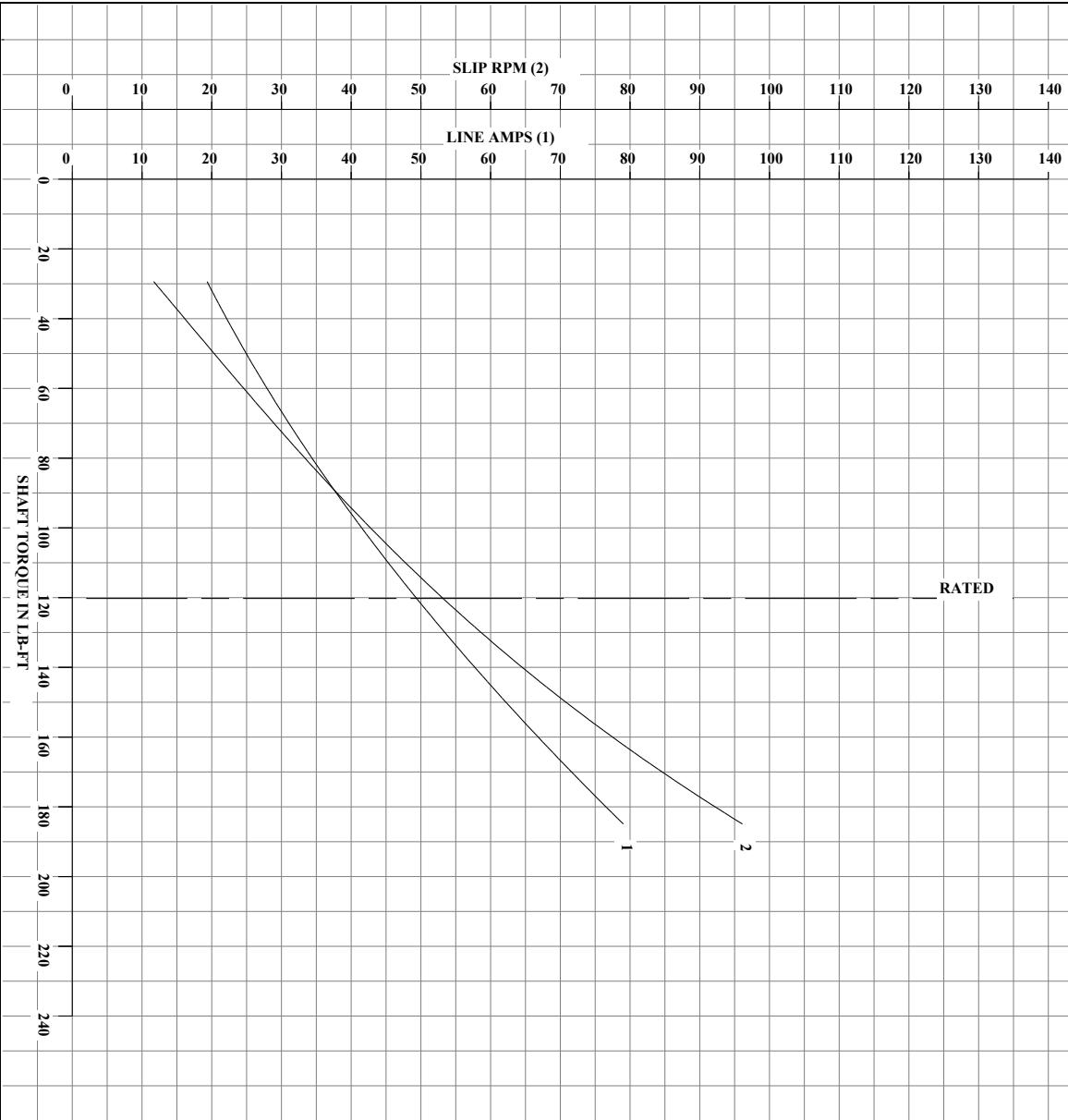
DRAWN BY: B. GRANT
 CHECKED BY: B. GRANT
 APPROVED BY: T. EVON
 DATE: 3-7-05

AC MOTOR
 PERFORMANCE
 DATA

L0231A
 ISSUE DATE: 3-7-05

S/O	-	VOLTS	460	ENCLOSURE	DPFV	WYE CONN EQ CKT PER PHASE (AT BASE RATING, 25°C)
FRAME	RL2162	AMPS	49.26	MAX SAFE SPEED	5000	R1 .177 X1 .748
HP	40	DUTY	CONT	IM (AMPS)	15.52	R2 .113 X2 .717
BASE SPEED	1750	S.F.	1.0	P.F. @ NL / FL	.089 / .872	XM 17.6
PHASE/HZ	3/60	AMB. °C / INSUL	40/H	WK ₂ (LB-FT ²)	1.99	

CORRELATED DATA
LOAD PERFORMANCE (CONSTANT V/Hz RANGE)



TYPICAL DATA. DATA VALID FOR NAMEPLATE SPEED RANGE ONLY



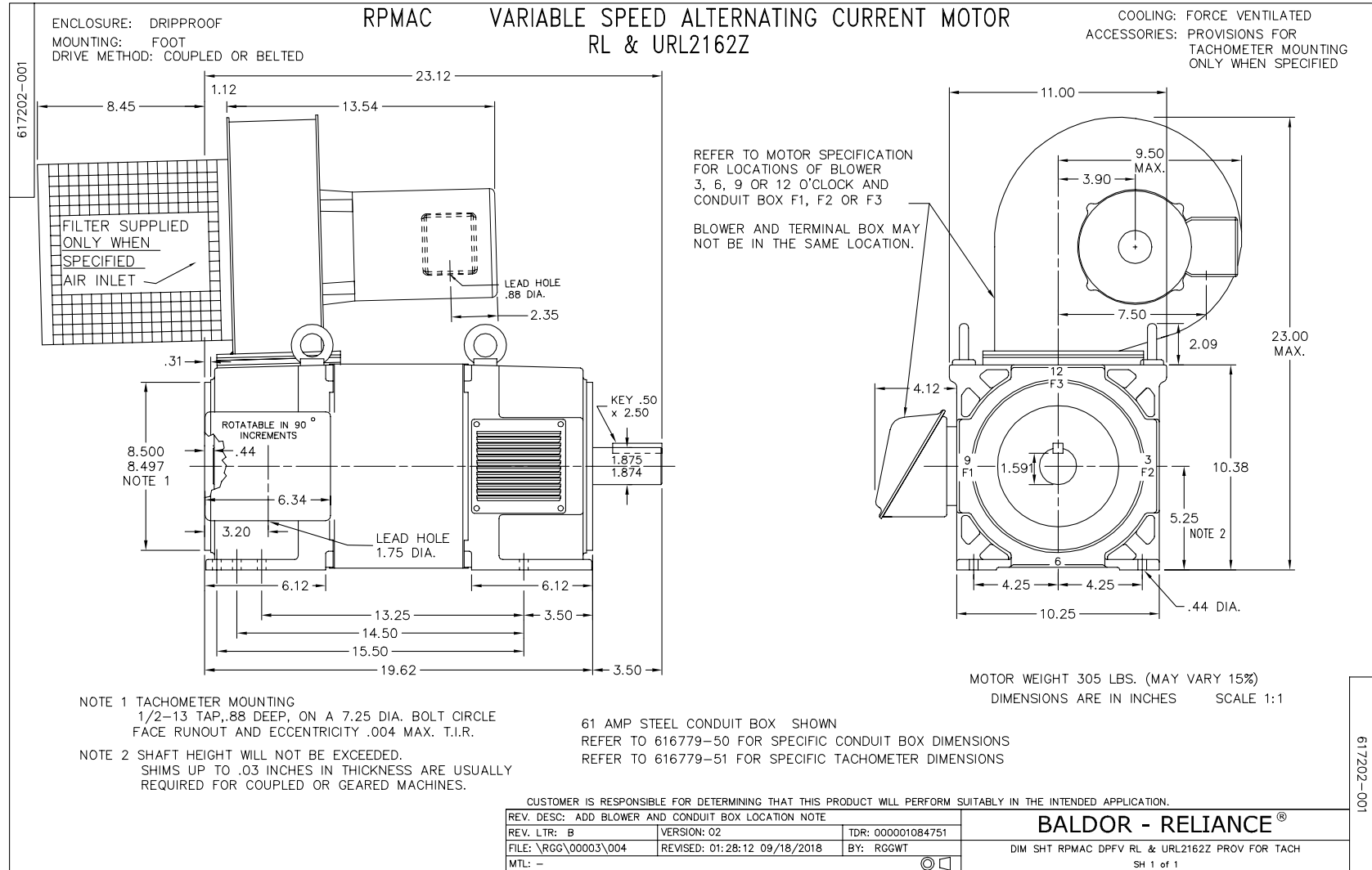
DRAWN BY: B. GRANT
CHECKED BY: B. GRANT
APPROVED BY: T. EVON
DATE: 3-7-05

AC MOTOR
PERFORMANCE
DATA

L0231A
ISSUE DATE: 3-7-05

USBAGRA

Printed on 03/04/2019 3:36 PM

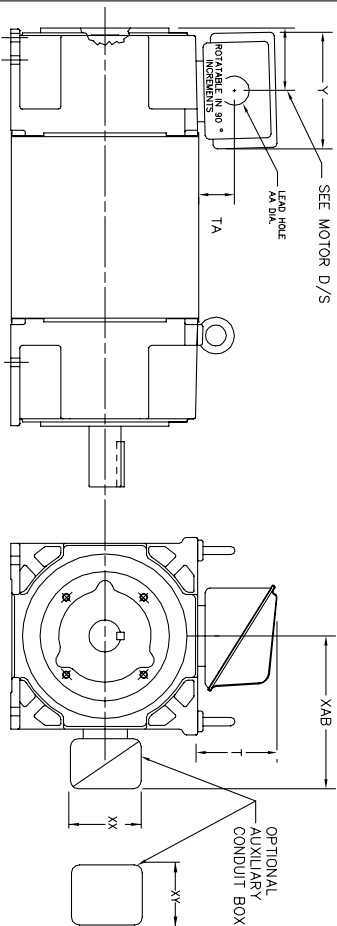


616779-050

INDUSTRIAL ALTERNATING CURRENT MOTORS

RPM AC

STEEL, CAST IRON, MILL AND TERMINAL BOARD CONDUIT BOX DIMENSIONS
 NEMA FRAMES RL210 thru RL280 and IEC FRAMES RDL132 thru RDL180
 NEMA FRAMES FL180 thru FL280 and IEC FRAMES FDL112 thru FDL180



FRAME	TYPE	TERMINAL STRIP	AMPS	C/BOX	Y	TA	T	AA
FL180	STEEL	N	40	706320003A	5.00	1.62	3.00	1.12
FL180	STEEL	Y/N	7/5	706320005A	6.12	2.38	4.38	1.75/2.00
FL180	STEEL	N	208	706320007A	7.62	2.00	7.00	2.50/3.00
FL180	CAST IRON	Y/N	60	706320004C	5.75	2.38	4.38	1.0 TAP
FL180 & FDL11	MILL	Y	100	706310056A	7.75	2.30	4.40	PG29/PG16

FL210 & RL210	STEEL	N	61	075452000B	6.34	2.00	4.12	1.75
FL210 & RL210	STEEL	N	121	075454001AJ	7.69	2.38	5.25	1.94
FL210 & RL210	STEEL	N	305	706320016A	9.00	4.12	8.44	4.59
FL210 & RL210	CAST IRON	N	110	075460062B	7.25	2.50	5.25	1.5 TAP
FL210 & RL210	CAST IRON	N	110	075460062B	7.25	2.50	5.25	1.5 TAP
FL210 & RL210	MILL	Y	100	706310225R	7.75	2.30	4.40	PG29/PG16
FL210 & RL210	MILL	Y	100	706310226R	7.75	2.30	4.40	PG29/PG16
FL210 & RL210	MILL	Y	160	706310056B	9.00	3.06	5.40	PG36/PG16
FL210 & RL210	MILL	Y	160	706310056B	9.00	3.06	5.40	PG36/PG16

FL250 & RL250	STEEL	N	61	075452000B	6.34	2.00	4.12	1.75
FL250 & RL250	STEEL	N	121	075454001AJ	7.69	2.38	5.25	1.94
FL250 & RL250	STEEL	N	305	706320016A	9.00	4.12	8.44	4.59
FL250 & RL250	CAST IRON	N	110	075460062B	7.25	2.50	5.25	1.5 TAP
FL250 & RL250	CAST IRON	N	110	075460062B	7.25	2.50	5.25	1.5 TAP
FL250 & RL250	CAST IRON	N	210	706320013A	10.50	4.88	9.00	4.0 TAP
FL250 & RL250	CAST IRON	N	210	706320013A	10.50	4.88	9.00	4.0 TAP
FL250 & RL250	MILL	Y	100	706310056A	7.75	2.30	4.40	PG29/PG16
FL250 & RL250	MILL	Y	100	706310056A	7.75	2.30	4.40	PG29/PG16
FL250 & RL250	MILL	Y	160	706310056B	9.00	3.06	5.40	PG36/PG16
FL250 & RL250	MILL	Y	160	706310056B	9.00	3.06	5.40	PG36/PG16
FL250 & RL250	MILL	Y	400	706310063B	14.39	7.43	12.15	BLANK

FL280 & RL280	STEEL	N	160	706320009A	7.25	3.50	7.06	2.50
FL280 & RL280	STEEL	N	305	706320016A	9.00	4.12	8.44	4.59
FL280 & RL280	STEEL	N	500	702658001C	14.62	7.56	12.70	5.00
FL280 & RL280	CAST IRON	N	140	706320012B	9.25	4.81	8.56	3.0 TAP
FL280 & RL280	CAST IRON	N	210	706320013A	10.50	4.88	9.00	4.0 TAP
FL280 & RL280	CAST IRON	N	510	706320014D	15.00	7.56	12.81	5.0 TAP
FL280 & RL280	MILL	Y	100	706310056A	7.75	2.30	4.40	PG29/PG16
FL280 & RL280	MILL	Y	100	706310056A	7.75	2.30	4.40	PG29/PG16
FL280 & RL280	MILL	Y	160	706310056B	9.00	3.06	5.40	PG36/PG16
FL280 & RL280	MILL	Y	160	706310056B	9.00	3.06	5.40	PG36/PG16
FL280 & RL280	MILL	Y	400	706310063B	14.39	7.43	12.15	BLANK

FRAME SIZE	OPTIMAL AUXILIARY CONDUIT BOX DIMENSIONS (MAXIMUM)								
	XAB	XX	XY	PART NUMBER	FRAME SIZE	XAB	XX	XY	PART NUMBER
FL180/TL180/RL180/FL180	7.38	4.25	4.25	603C007-26-A	FL210/TL210/RL210/FL210	10.88	8.00	8.00	706310-3-B
FL210/TL210/RL210/FL210	8.44	4.25	4.25	603C007-26-A	FL250/TL250/RL250/FL250	11.88	8.00	8.00	706310-3-B
FL250/TL250/RL250/FL250	9.12	4.25	4.25	603C007-26-A	FL280/TL280/RL280/FL280	12.62	8.00	8.00	706310-3-B

- (1) TAP CONDUIT
- (2) TAP PIPE TAP
- (3) CUSTOMER TO PROVIDE HOLE FOR CONDUIT.
- (4) 2" DN -5A or 1" TAP DN -4C

TERMINAL BOX CAN BE KEPT FOR LEAD OUTLET AT TOP. SIZES DR BOTTOM TERMINAL BOX CAN BE KEPT FOR LEAD OUTLET AT BOTTOM. SIZES DR TOP. DR C-1 MOUNTING IS SPECIFIED. DRX LOCATED ON TOP WHEN SPECIFIED.

050-667919

CUSTOMER IS RESPONSIBLE FOR DETERMINING THAT BALDOR'S PRODUCT WILL PERFORM SUITABLY IN THE INTENDED APPLICATION.

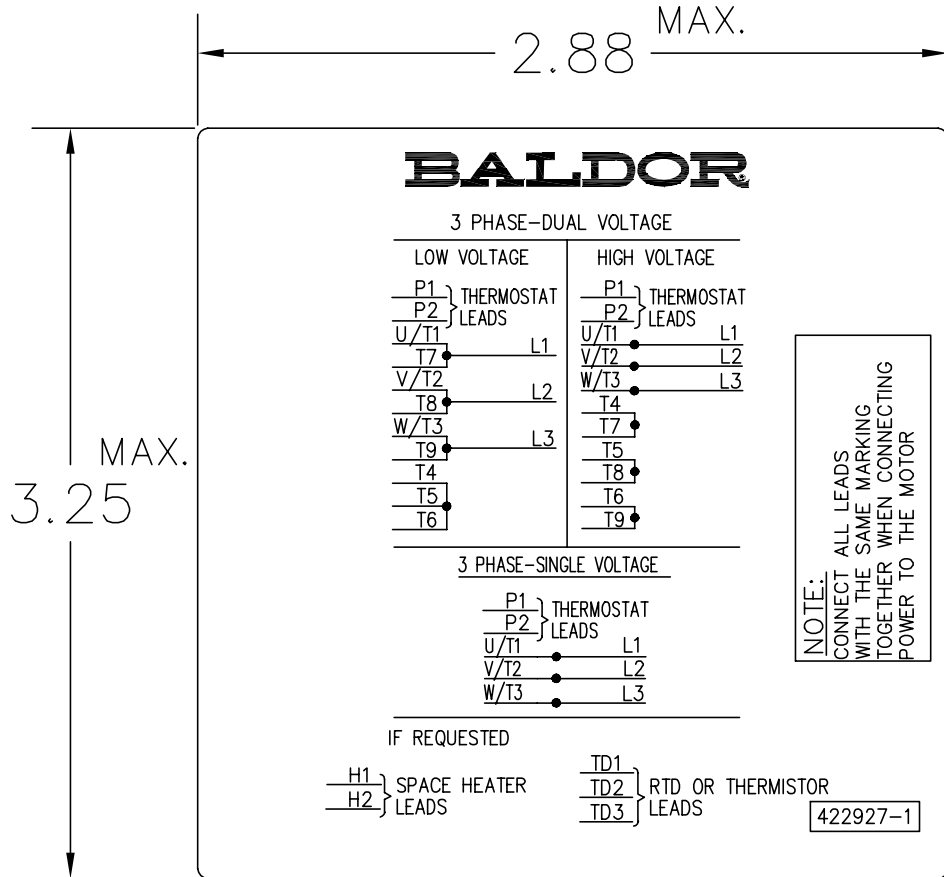
REV. DESC: ADD C/BOX 706310-225 & -226R	VERSION: 05	TDR: 000001093792
REV. LTR: E	REVISED: 07: 27: 52 12/18/2018	BY: RGGWT
FILE: \RGG\00003\692		
MTL: -		

BALDOR - RELIANCE®

DIM SHT NEMA RL210-RL280 FL180-FL280 IEC RDL132-RDL180

SH 1 of 1

422927-001



NOTE:
DATA TO BE SIZED SO THAT IT FITS INTO MATERIAL DECAL DIMENSIONS. MAKE LETTERS & NUMBERS AS LARGE AS POSSIBLE.

MATERIAL: CERAMATIC DGF-P4
PERMA GRIP ADHESIVE

ALL LETTERS, NUMBERS AND LINES TO BE BLACK ON WHITE BACKGROUND.

422927-001

REV. DESC: CHANGE BACKGROUND COLOR FROM GOLD TO WHITE		
REV. LTR: B	VERSION: 02	TDR: 000000788708
FILE: \RGG\00000\203	REVISED: 08:09:29 03/04/2013	
MTL: -	BY: RGGWT	

BALDOR

EXTERNAL CONNECTION LABEL

SH 1 of 1

Marketing maintained PDF of MN406:

<http://www.baldor.com/support/Literature/Load.ashx/MN406?ManNumber=MN406>