

CATALOG

eOT Enclosed Rotary Switches

UL 508 listed



—
Energizing your equipment safely and efficiently doesn't have to be complex. We know that switches are a small part of a much bigger picture — it's time they started supporting your design goals with simple selection and easy installation. With ABB's expanded Enclosed Rotary Switches range, it's now simpler than ever to find the switch that fits your project .

Table of contents

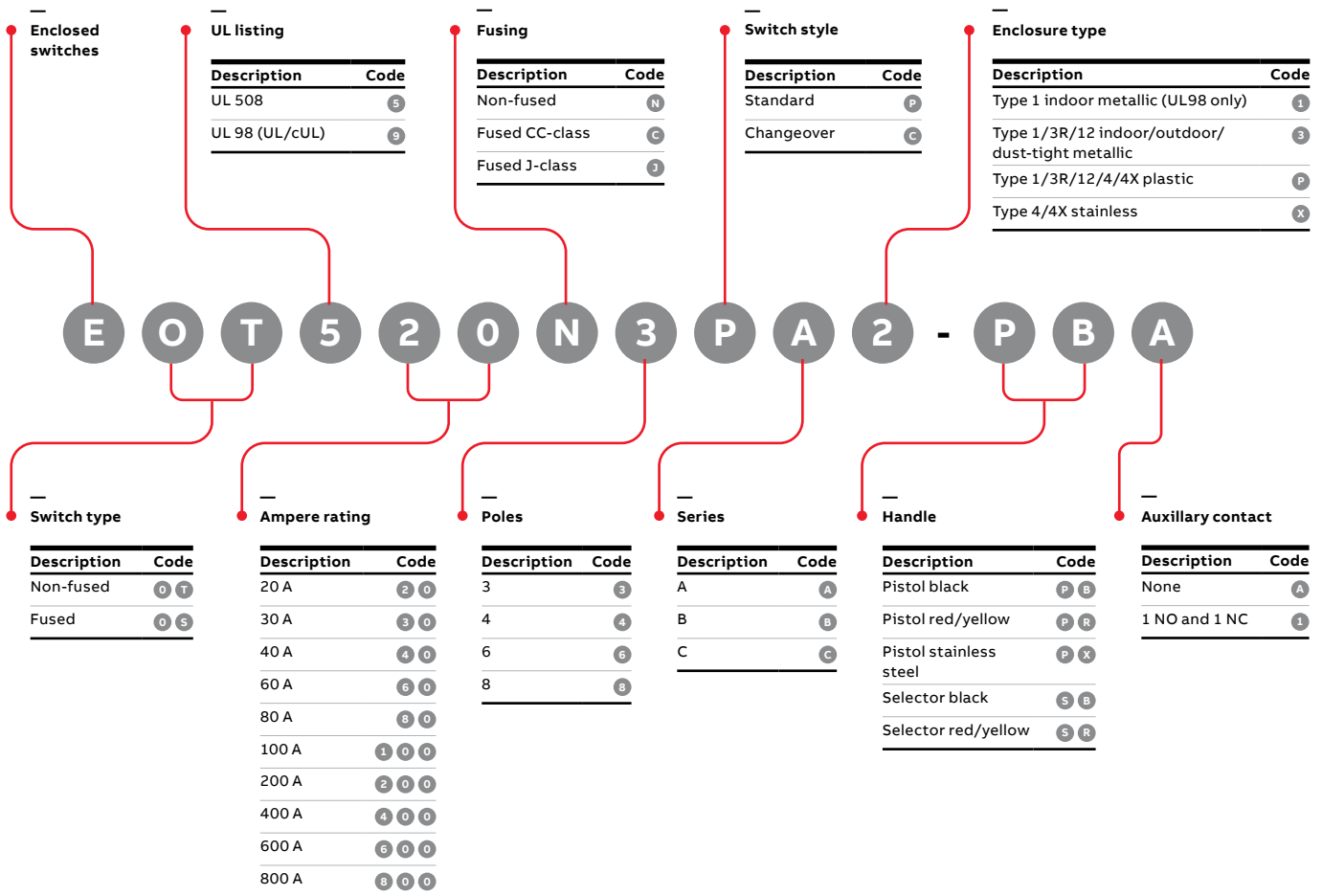
004–005	Overview
006–008	EOT520 ... EOT580 3-pole UL 508, non-fused
009–011	EOT520 ... EOT580 6-pole UL 508, non-fused
012–013	EOT520 ... EOT580 3-pole UL 508, changeover
014–016	Dimensions: UL 508, non-fused
016	Dimensions: UL 508, changeover

Enclosed Rotary Switches

General information

The eOS and eOT series of Enclosed Rotary Switches are available in a wide range of options to suit your application.

- Enclosure NEMA types 1, 3R, 4X stainless steel and 4 plastic
- UL 98 listed 30–600 A; UL 508 listed 20–80 A
- Fused (eOS) and non-fused (eOT) options
- Rated up to 600 V
- 3-pole, 6-pole and 3-pole changeover
- Pistol and selector switch operators
- Auxiliary contacts



EOT520 ... EOT580 Enclosed Rotary Switches

Technical data

UL 508

Technical data according to UL/CSA, AC ratings

Switch type		EOT520		EOT530		EOT540		EOT560		EOT580		
		Approval	cUL _{us} Listed		cUL _{us} Listed		cUL _{us} Listed		cUL _{us} Listed		cUL _{us} Listed	
		File #	E63822		E63822		E63822		E63822		E63822	
		Compliance	UL 508		UL 508		UL 508		UL 508		UL 508	
General purpose amp rating	pf= 0.7...0.8	-40 °C to 40 °C	20 A		30 A		40 A		60 A		80 A	
Max. operating voltage			600 V		600 V		600 V		600 V		600 V	
Max. horsepower rating/motor FLA current	pf= 0.4...0.5	240 V	5 hp/15.2 A		7.5 hp/22.0 A		10 hp/28.0 A		15 hp/42.0 A		20 hp/54.0 A	
		480 V	10 hp/14.0 A		15 hp/21.0 A		20 hp/27.0 A		30 hp/40.0 A		40 hp/52.0 A	
	Three phase		600 V	10 hp/11.0 A		20 hp/22.0 A		25 hp/27.0 A		30 hp/32.0 A		40 hp/41.0 A
		120 V	1 hp/16.0 A		1.5 hp/20.0 A		2 hp/24.0 A		2 hp/24.0 A		2 hp/24.0 A	
			240 V	2 hp/12.0 A		3 hp/17.0 A		5 hp/28.0 A		7.5 hp/40.0 A		10 hp/50.0 A
		Single phase		480 V	5 hp/14.0 A		7.5 hp/21.0 A		10 hp/26.0 A		15 hp/34.0 A	
600 V	7.5 hp/16.0 A		10 hp/20.0 A		15 hp/27.0 A		15 hp/27.0 A		20 hp/38.5 A			
Short circuit rating with fuse	Maximum fuse size		30 A	60 A	30 A	60 A	30 A	60 A	100 A	150 A	100 A	150 A
		Fuse type	J	10 kA	10 kA	10 kA	10 kA	10 kA	10 kA	100 kA	-	100 kA
	Fuse type	T	10 kA	10 kA	10 kA	10 kA	10 kA	10 kA	100 kA	-	100 kA	-
	Fuse type	RK1	10 kA	-	10 kA	-	10 kA	-	-	-	-	-
	Fuse type	RK5*	5 kA	5 kA	5 kA	5 kA	5 kA	5 kA	10 kA	5 kA	10 kA	5 kA
	Fuse type	L	-	-	-	-	-	-	-	-	-	-
	Fuse type	H	-	-	-	-	-	-	-	5 kA	-	5 kA

* Fuse size 70 A for RK5.

Endurances

Min. electrical endurance, pf. 0.75...0.8		6000 oper.	6000 oper.	6000 oper.	6000 oper.	6000 oper.	6000 oper.	6000 oper.	6000 oper.	6000 oper.
Mechanical endurance		20,000 oper.	20,000 oper.	20,000 oper.	20,000 oper.	20,000 oper.	20,000 oper.	20,000 oper.	20,000 oper.	20,000 oper.
Terminal lugs		Integrated	Integrated	Integrated	Integrated	Integrated	Integrated	Integrated	Integrated	Integrated
Copper wire range	60-75 °C	18-8 AWG	18-8 AWG	18-8 AWG	14-4 AWG	14-4 AWG	14-4 AWG	14-4 AWG	14-4 AWG	8-1/0 AWG
Torque	Wire tightening	0.8 Nm/ 7 lb. in.	0.8 Nm/ 7 lb. in.	0.8 Nm/ 7 lb. in.	2 Nm/ 18 lb. in.	2 Nm/ 18 lb. in.	6.2 Nm/ 55 lb. in.	6.2 Nm/ 55 lb. in.	6.2 Nm/ 55 lb. in.	6.2 Nm/ 55 lb. in.

EOT520 ... EOT580 Enclosed Rotary Switches

3-pole UL 508, non-fused

NEMA 3R/12 metal enclosure



EOT540N3PA3-SBA

3-pole UL 508, non-fused — NEMA 3R/12 metal enclosure

Amp rating (A)	Horsepower rating 3-phase			Handle type	Handle color	Auxiliary contacts	Catalog number	Weight / unit (lb / kg)
	240 V AC	480 V AC	600 V AC					
	HP	HP	HP					
20	5	10	10	Pistol	Black	–	EOT520N3PA3-PBA	2.30 / 1.04
					Red/yellow	–	EOT520N3PA3-PRA	2.30 / 1.04
					Black	1 NO + 1 NC	EOT520N3PA3-PR1	2.37 / 1.07
				Selector	Red/yellow	1 NO + 1 NC	EOT520N3PA3-PB1	2.37 / 1.07
					Black	–	EOT520N3PA3-SBA	2.30 / 1.04
					Red/yellow	–	EOT520N3PA3-SRA	2.30 / 1.04
					Black	1 NO + 1 NC	EOT520N3PA3-SB1	2.37 / 1.07
Red/yellow	1 NO + 1 NC	EOT520N3PA3-SR1	2.37 / 1.07					
30	7	15	20	Pistol	Black	–	EOT530N3PA3-PBA	2.30 / 1.04
					Red/yellow	–	EOT530N3PA3-PRA	2.30 / 1.04
					Black	1 NO + 1 NC	EOT530N3PA3-PB1	2.37 / 1.07
				Selector	Red/yellow	1 NO + 1 NC	EOT530N3PA3-PR1	2.37 / 1.07
					Black	–	EOT530N3PA3-SBA	2.30 / 1.04
					Red/yellow	–	EOT530N3PA3-SRA	2.30 / 1.04
					Black	1 NO + 1 NC	EOT530N3PA3-SB1	2.37 / 1.07
Red/yellow	1 NO + 1 NC	EOT530N3PA3-SR1	2.37 / 1.07					
40	10	20	25	Pistol	Black	–	EOT540N3PA3-PBA	2.30 / 1.04
					Red/yellow	–	EOT540N3PA3-PRA	2.30 / 1.04
					Black	1 NO + 1 NC	EOT540N3PA3-PB1	2.37 / 1.07
				Selector	Red/yellow	1 NO + 1 NC	EOT540N3PA3-PR1	2.37 / 1.07
					Black	–	EOT540N3PA3-SBA	2.30 / 1.04
					Red/yellow	–	EOT540N3PA3-SRA	2.30 / 1.04
					Black	1 NO + 1 NC	EOT540N3PA3-SB1	2.37 / 1.07
Red/yellow	1 NO + 1 NC	EOT540N3PA3-SR1	2.37 / 1.07					
60	15	30	30	Pistol	Black	–	EOT560N3PA3-PBA	3.35 / 1.52
					Red/yellow	–	EOT560N3PA3-PRA	3.35 / 1.52
					Black	1 NO + 1 NC	EOT560N3PA3-PB1	3.42 / 1.55
				Selector	Red/yellow	1 NO + 1 NC	EOT560N3PA3-PR1	3.42 / 1.55
					Black	–	EOT560N3PA3-SBA	3.35 / 1.52
					Red/yellow	–	EOT560N3PA3-SRA	3.35 / 1.52
					Black	1 NO + 1 NC	EOT560N3PA3-SB1	3.42 / 1.55
Red/yellow	1 NO + 1 NC	EOT560N3PA3-SR1	3.42 / 1.55					
80	20	40	40	Pistol	Black	–	EOT580N3PA3-PBA	3.79 / 1.72
					Red/yellow	–	EOT580N3PA3-PRA	3.79 / 1.72
					Black	1 NO + 1 NC	EOT580N3PA3-PB1	3.86 / 1.75
				Selector	Red/yellow	1 NO + 1 NC	EOT580N3PA3-PR1	3.86 / 1.75
					Black	–	EOT580N3PA3-SBA	3.79 / 1.72
					Red/yellow	–	EOT580N3PA3-SRA	3.79 / 1.72
					Black	1 NO + 1 NC	EOT580N3PA3-SB1	3.86 / 1.75
Red/yellow	1 NO + 1 NC	EOT580N3PA3-SR1	3.86 / 1.75					

EOT520 ... EOT580 Enclosed Rotary Switches

3-pole UL 508, non-fused

NEMA 4/4X stainless steel enclosure



EOT520N3PAX-PBA

3-pole UL 508, non-fused — NEMA 4/4X stainless steel enclosure

Amp rating (A)	Horsepower rating 3-phase			Handle type	Handle color	Auxiliary contacts	Catalog number	Weight / unit (lb / kg)
	240 V AC HP	480 V AC HP	600 V AC HP					
20	5	10	10	Pistol	Black	–	EOT520N3PAX-PBA	2.30 / 1.04
					Red/yellow	–	EOT520N3PAX-PRA	2.30 / 1.04
					Stainless steel	–	EOT520N3PAX-PXA	2.30 / 1.04
					Black	1 NO + 1 NC	EOT520N3PAX-PR1	2.37 / 1.07
					Red/yellow	1 NO + 1 NC	EOT520N3PAX-PB1	2.30 / 1.04
					Stainless steel	1 NO + 1 NC	EOT520N3PAX-PX1	2.30 / 1.04
30	7	15	20	Pistol	Black	–	EOT530N3PAX-PBA	2.30 / 1.04
					Red/yellow	–	EOT530N3PAX-PRA	2.30 / 1.04
					Stainless steel	–	EOT530N3PAX-PXA	2.30 / 1.04
					Black	1 NO + 1 NC	EOT530N3PAX-PB1	2.37 / 1.07
					Red/yellow	1 NO + 1 NC	EOT530N3PAX-PR1	2.30 / 1.04
					Stainless steel	1 NO + 1 NC	EOT530N3PAX-PX1	2.30 / 1.04
40	10	20	25	Pistol	Black	–	EOT540N3PAX-PBA	2.30 / 1.04
					Red/yellow	–	EOT540N3PAX-PRA	2.30 / 1.04
					Stainless steel	–	EOT540N3PAX-PXA	2.30 / 1.04
					Black	1 NO + 1 NC	EOT540N3PAX-PB1	2.37 / 1.07
					Red/yellow	1 NO + 1 NC	EOT540N3PAX-PR1	2.30 / 1.04
					Stainless steel	1 NO + 1 NC	EOT540N3PAX-PX1	2.30 / 1.04
60	15	30	30	Pistol	Black	–	EOT560N3PAX-PBA	3.35 / 1.52
					Red/yellow	–	EOT560N3PAX-PRA	3.35 / 1.52
					Stainless steel	–	EOT560N3PAX-PXA	3.35 / 1.52
					Black	1 NO + 1 NC	EOT560N3PAX-PB1	3.42 / 1.55
					Red/yellow	1 NO + 1 NC	EOT560N3PAX-PR1	3.42 / 1.55
					Stainless steel	1 NO + 1 NC	EOT560N3PAX-PX1	3.42 / 1.55
80	20	40	40	Pistol	Black	–	EOT580N3PAX-PBA	3.79 / 1.72
					Red/yellow	–	EOT580N3PAX-PRA	3.79 / 1.72
					Stainless steel	–	EOT580N3PAX-PXA	3.79 / 1.72
					Black	1 NO + 1 NC	EOT580N3PAX-PB1	3.86 / 1.75
					Red/yellow	1 NO + 1 NC	EOT580N3PAX-PR1	3.86 / 1.75
					Stainless steel	1 NO + 1 NC	EOT580N3PAX-PX1	3.86 / 1.75

EOT520 ... EOT580 Enclosed Rotary Switches

3-pole UL 508, non-fused

NEMA 4/4X plastic enclosure



EOT520N3PAP-PBA

3-pole UL 508, non-fused — NEMA 4/4X plastic enclosure

Amp rating (A)	Horsepower rating 3-phase			Handle type	Handle color	Auxiliary contacts	Catalog number	Weight / unit (lb / kg)
	240 V AC	480 V AC	600 V AC					
	HP	HP	HP					
20	5	10	10	Pistol	Black	–	EOT520N3PAP-PBA	1.80 / 0.82
					Red/yellow	–	EOT520N3PAP-PRA	1.80 / 0.82
					Black	1 NO + 1 NC	EOT520N3PAP-PB1	1.87 / 0.85
					Red/yellow	1 NO + 1 NC	EOT520N3PAP-PR1	1.87 / 0.85
				Selector	Black	–	EOT520N3PAP-SBA	1.80 / 0.82
					Red/yellow	–	EOT520N3PAP-SRA	1.80 / 0.82
					Black	1 NO + 1 NC	EOT520N3PAP-SB1	1.87 / 0.85
					Red/yellow	1 NO + 1 NC	EOT520N3PAP-SR1	1.87 / 0.85
30	7	15	20	Pistol	Black	–	EOT530N3PAP-PBA	1.80 / 0.82
					Red/yellow	–	EOT530N3PAP-PRA	1.80 / 0.82
					Black	1 NO + 1 NC	EOT530N3PAP-PB1	1.87 / 0.85
					Red/yellow	1 NO + 1 NC	EOT530N3PAP-PR1	1.87 / 0.85
				Selector	Black	–	EOT530N3PAP-SBA	1.80 / 0.82
					Red/yellow	–	EOT530N3PAP-SRA	1.80 / 0.82
					Black	1 NO + 1 NC	EOT530N3PAP-SB1	1.87 / 0.85
					Red/yellow	1 NO + 1 NC	EOT530N3PAP-SR1	1.87 / 0.85
40	10	20	25	Pistol	Black	–	EOT540N3PAP-PBA	1.80 / 0.82
					Red/yellow	–	EOT540N3PAP-PRA	1.80 / 0.82
					Black	1 NO + 1 NC	EOT540N3PAP-PB1	1.87 / 0.85
					Red/yellow	1 NO + 1 NC	EOT540N3PAP-PR1	1.87 / 0.85
				Selector	Black	–	EOT540N3PAP-SBA	1.80 / 0.82
					Red/yellow	–	EOT540N3PAP-SRA	1.80 / 0.82
					Black	1 NO + 1 NC	EOT540N3PAP-SB1	1.87 / 0.85
					Red/yellow	1 NO + 1 NC	EOT540N3PAP-SR1	1.87 / 0.85
60	15	30	30	Pistol	Black	–	EOT560N3PAP-PBA	1.35 / 0.61
					Red/yellow	–	EOT560N3PAP-PRA	1.35 / 0.61
					Black	1 NO + 1 NC	EOT560N3PAP-PB1	1.42 / 0.64
					Red/yellow	1 NO + 1 NC	EOT560N3PAP-PR1	1.42 / 0.64
				Selector	Black	–	EOT560N3PAP-SBA	1.35 / 0.61
					Red/yellow	–	EOT560N3PAP-SRA	1.35 / 0.61
					Black	1 NO + 1 NC	EOT560N3PAP-SB1	1.42 / 0.64
					Red/yellow	1 NO + 1 NC	EOT560N3PAP-SR1	1.42 / 0.64
80	20	40	40	Pistol	Black	–	EOT580N3PAP-PBA	1.79 / 0.81
					Red/yellow	–	EOT580N3PAP-PRA	1.79 / 0.81
					Black	1 NO + 1 NC	EOT580N3PAP-PB1	1.86 / 0.85
					Red/yellow	1 NO + 1 NC	EOT580N3PAP-PR1	1.86 / 0.85
				Selector	Black	–	EOT580N3PAP-SBA	1.79 / 0.81
					Red/yellow	–	EOT580N3PAP-SRA	1.79 / 0.81
					Black	1 NO + 1 NC	EOT580N3PAP-SB1	1.86 / 0.85
					Red/yellow	1 NO + 1 NC	EOT580N3PAP-SR1	1.86 / 0.85

EOT520 ... EOT580 Enclosed Rotary Switches

6-pole UL 508, non-fused

NEMA 3R/12 metal enclosure



EOT560N6PA3-PRA

6-pole UL 508, non-fused — NEMA 3R/12 metal enclosure

Amp rating (A)	Horsepower rating 3-phase			Handle type	Handle color	Auxiliary contacts	Catalog number	Weight / unit (lb / kg)
	240 V AC	480 V AC	600 V AC					
	HP	HP	HP					
20	5	10	10	Pistol	Black	–	EOT520N6PA3-PBA	3.70 / 1.68
					Red/yellow	–	EOT520N6PA3-PRA	3.70 / 1.68
					Black	1 NO + 1 NC	EOT520N6PA3-PB1	3.77 / 1.71
					Red/yellow	1 NO + 1 NC	EOT520N6PA3-PR1	3.77 / 1.71
				Selector	Black	–	EOT520N6PA3-SBA	3.70 / 1.68
					Red/yellow	–	EOT520N6PA3-SRA	3.70 / 1.68
					Black	1 NO + 1 NC	EOT520N6PA3-SB1	3.77 / 1.71
					Red/yellow	1 NO + 1 NC	EOT520N6PA3-SR1	3.77 / 1.71
30	7	15	20	Pistol	Black	–	EOT530N6PA3-PBA	3.70 / 1.68
					Red/yellow	–	EOT530N6PA3-PRA	3.70 / 1.68
					Black	1 NO + 1 NC	EOT530N6PA3-PB1	3.77 / 1.71
					Red/yellow	1 NO + 1 NC	EOT530N6PA3-PR1	3.77 / 1.71
				Selector	Black	–	EOT530N6PA3-SBA	3.70 / 1.68
					Red/yellow	–	EOT530N6PA3-SRA	3.70 / 1.68
					Black	1 NO + 1 NC	EOT530N6PA3-SB1	3.77 / 1.71
					Red/yellow	1 NO + 1 NC	EOT530N6PA3-SR1	3.77 / 1.71
40	10	20	25	Pistol	Black	–	EOT540N6PA3-PBA	3.70 / 1.68
					Red/yellow	–	EOT540N6PA3-PRA	3.70 / 1.68
					Black	1 NO + 1 NC	EOT540N6PA3-PB1	3.77 / 1.71
					Red/yellow	1 NO + 1 NC	EOT540N6PA3-PR1	3.77 / 1.71
				Selector	Black	–	EOT540N6PA3-SBA	3.70 / 1.68
					Red/yellow	–	EOT540N6PA3-SRA	3.70 / 1.68
					Black	1 NO + 1 NC	EOT540N6PA3-SB1	3.77 / 1.71
					Red/yellow	1 NO + 1 NC	EOT540N6PA3-SR1	3.77 / 1.71
60	15	30	30	Pistol	Black	–	EOT560N6PA3-PBA	4.70 / 2.13
					Red/yellow	–	EOT560N6PA3-PRA	4.70 / 2.13
					Black	1 NO + 1 NC	EOT560N6PA3-PB1	4.77 / 2.16
					Red/yellow	1 NO + 1 NC	EOT560N6PA3-PR1	4.77 / 2.16
				Selector	Black	–	EOT560N6PA3-SBA	4.70 / 2.13
					Red/yellow	–	EOT560N6PA3-SRA	4.70 / 2.13
					Black	1 NO + 1 NC	EOT560N6PA3-SB1	4.77 / 2.16
					Red/yellow	1 NO + 1 NC	EOT560N6PA3-SR1	4.77 / 2.16
80	20	40	40	Pistol	Black	–	EOT580N6PA3-PBA	5.70 / 2.59
					Red/yellow	–	EOT580N6PA3-PRA	5.70 / 2.59
					Black	1 NO + 1 NC	EOT580N6PA3-PB1	5.77 / 2.62
					Red/yellow	1 NO + 1 NC	EOT580N6PA3-PR1	5.77 / 2.62
				Selector	Black	–	EOT580N6PA3-SBA	5.70 / 2.59
					Red/yellow	–	EOT580N6PA3-SRA	5.70 / 2.59
					Black	1 NO + 1 NC	EOT580N6PA3-SB1	5.77 / 2.62
					Red/yellow	1 NO + 1 NC	EOT580N6PA3-SR1	5.77 / 2.62

EOT520 ... EOT580 Enclosed Rotary Switches

6-pole UL 508, non-fused

NEMA 4/4X stainless steel enclosure



EOT530N6PAX-PRA

6-pole UL 508, non-fused — NEMA 4/4X stainless steel enclosure

Amp rating (A)	Horsepower rating 3-phase			Handle type	Handle color	Auxiliary contacts	Catalog number	Weight / unit (lb / kg)
	240 V AC	480 V AC	600 V AC					
	HP	HP	HP					
20	5	10	10	Pistol	Black	–	EOT520N6PAX-PBA	3.70 / 1.68
					Red/yellow	–	EOT520N6PAX-PRA	3.70 / 1.68
	5	10	10		Black	1 NO + 1 NC	EOT520N6PAX-PB1	3.77 / 1.71
					Red/yellow	1 NO + 1 NC	EOT520N6PAX-PR1	3.77 / 1.71
30	7	15	20	Pistol	Black	–	EOT530N6PAX-PBA	3.70 / 1.68
					Red/yellow	–	EOT530N6PAX-PRA	3.70 / 1.68
	7	15	20		Black	1 NO + 1 NC	EOT530N6PAX-PB1	3.77 / 1.71
					Red/yellow	1 NO + 1 NC	EOT530N6PAX-PR1	3.77 / 1.71
40	10	20	25	Pistol	Black	–	EOT540N6PAX-PBA	3.70 / 1.68
					Red/yellow	–	EOT540N6PAX-PRA	3.70 / 1.68
	10	20	25		Black	1 NO + 1 NC	EOT540N6PAX-PB1	3.77 / 1.71
					Red/yellow	1 NO + 1 NC	EOT540N6PAX-PR1	3.77 / 1.71
60	15	30	30	Pistol	Black	–	EOT560N6PAX-PBA	4.70 / 2.13
					Red/yellow	–	EOT560N6PAX-PRA	4.70 / 2.13
	15	30	30		Black	1 NO + 1 NC	EOT560N6PAX-PB1	4.77 / 2.16
					Red/yellow	1 NO + 1 NC	EOT560N6PAX-PR1	4.77 / 2.16
80	20	40	40	Pistol	Black	–	EOT580N6PAX-PBA	5.70 / 2.59
					Red/yellow	–	EOT580N6PAX-PRA	5.70 / 2.59
	20	40	40		Black	1 NO + 1 NC	EOT580N6PAX-PB1	5.77 / 2.62
					Red/yellow	1 NO + 1 NC	EOT580N6PAX-PR1	5.77 / 2.62

EOT520 ... EOT580 Enclosed Rotary Switches

6-pole UL 508, non-fused
NEMA 4/4X plastic enclosure



EOT520N6PAP-PBA

6-pole UL 508, non-fused — NEMA 4/4X plastic enclosure

Amp rating (A)	Horsepower rating 3-phase			Handle type	Handle color	Auxiliary contacts	Catalog number	Weight / unit (lb / kg)
	240 V AC	480 V AC	600 V AC					
	HP	HP	HP					
20	5	10	10	Pistol	Black	–	EOT520N6PAP-PBA	1.70 / 0.77
					Red/yellow	–	EOT520N6PAP-PRA	1.70 / 0.77
					Black	1 NO + 1 NC	EOT520N6PAP-PB1	1.77 / 0.80
					Red/yellow	1 NO + 1 NC	EOT520N6PAP-PR1	1.77 / 0.80
				Selector	Black	–	EOT520N6PAP-SBA	1.70 / 0.77
					Red/yellow	–	EOT520N6PAP-SRA	1.70 / 0.77
					Black	–	EOT520N6PAP-SB1	1.77 / 0.80
					Red/yellow	–	EOT520N6PAP-SR1	1.77 / 0.80
30	7	15	20	Pistol	Black	–	EOT530N6PAP-PBA	1.70 / 0.77
					Red/yellow	–	EOT530N6PAP-PRA	1.70 / 0.77
					Black	1 NO + 1 NC	EOT530N6PAP-PB1	1.77 / 0.80
					Red/yellow	1 NO + 1 NC	EOT530N6PAP-PR1	1.77 / 0.80
				Selector	Black	–	EOT530N6PAP-SBA	1.70 / 0.77
					Red/yellow	–	EOT530N6PAP-SRA	1.70 / 0.77
					Black	–	EOT530N6PAP-SB1	1.77 / 0.80
					Red/yellow	–	EOT530N6PAP-SR1	1.77 / 0.80
40	10	20	25	Pistol	Black	–	EOT540N6PAP-PBA	1.70 / 0.77
					Red/yellow	–	EOT540N6PAP-PRA	1.70 / 0.77
					Black	1 NO + 1 NC	EOT540N6PAP-PB1	1.77 / 0.80
					Red/yellow	1 NO + 1 NC	EOT540N6PAP-PR1	1.77 / 0.80
				Selector	Black	–	EOT540N6PAP-SBA	1.70 / 0.77
					Red/yellow	–	EOT540N6PAP-SRA	1.70 / 0.77
					Black	–	EOT540N6PAP-SB1	1.77 / 0.80
					Red/yellow	–	EOT540N6PAP-SR1	1.77 / 0.80
60	15	30	30	Pistol	Black	–	EOT560N6PAP-PBA	2.70 / 1.22
					Red/yellow	–	EOT560N6PAP-PRA	2.70 / 1.22
					Black	1 NO + 1 NC	EOT560N6PAP-PB1	2.77 / 1.25
					Red/yellow	1 NO + 1 NC	EOT560N6PAP-PR1	2.77 / 1.25
				Selector	Black	–	EOT560N6PAP-SBA	2.70 / 1.22
					Red/yellow	–	EOT560N6PAP-SRA	2.70 / 1.22
					Black	–	EOT560N6PAP-SB1	2.77 / 1.25
					Red/yellow	–	EOT560N6PAP-SR1	2.77 / 1.25
80	20	40	40	Pistol	Black	–	EOT580N6PAP-PBA	3.70 / 1.68
					Red/yellow	–	EOT580N6PAP-PRA	3.70 / 1.68
					Black	1 NO + 1 NC	EOT580N6PAP-PB1	3.77 / 1.71
					Red/yellow	1 NO + 1 NC	EOT580N6PAP-PR1	3.77 / 1.71
				Selector	Black	–	EOT580N6PAP-SBA	3.70 / 1.68
					Red/yellow	–	EOT580N6PAP-SRA	3.70 / 1.68
					Black	1 NO + 1 NC	EOT580N6PAP-SB1	3.77 / 1.71
					Red/yellow	1 NO + 1 NC	EOT580N6PAP-SR1	3.77 / 1.71

EOT520 ... EOT580 Enclosed Rotary Switches

3-pole UL 508, changeover

NEMA 4/4X stainless steel and NEMA 4/4X plastic enclosures



EOT540N3CAX-PBA

3-pole UL 508, changeover — NEMA 4/4X stainless steel enclosure

Amp rating (A)	Horsepower rating 3-phase			Handle type	Handle color	Auxiliary contacts	Catalog number	Weight / unit (lb / kg)
	240 V AC	480 V AC	600 V AC					
	HP	HP	HP					
20	5	10	10	Pistol	Black	–	EOT520N3CAX-PBA	3.70 / 1.68
					Black	1 NO + 1 NC	EOT520N3CAX-PB1	3.77 / 1.71
30	7	15	20	Pistol	Black	–	EOT530N3CAX-PBA	3.70 / 1.68
					Black	1 NO + 1 NC	EOT530N3CAX-PB1	3.77 / 1.71
40	10	20	25	Pistol	Black	–	EOT540N3CAX-PBA	3.70 / 1.68
					Black	1 NO + 1 NC	EOT540N3CAX-PB1	3.77 / 1.71
60	15	30	30	Pistol	Black	–	EOT560N3CAX-PBA	4.70 / 2.13
					Black	1 NO + 1 NC	EOT560N3CAX-PB1	4.77 / 2.16
80	20	40	40	Pistol	Black	–	EOT580N3CAX-PBA	5.70 / 2.59
					Black	1 NO + 1 NC	EOT580N3CAX-PB1	5.77 / 2.62



EOT540N3CAP-PBA

3-pole UL 508, changeover — NEMA 4/4X plastic enclosure

Amp rating (A)	Horsepower rating 3-phase			Handle type	Handle color	Auxiliary contacts	Catalog number	Weight / unit (lb / kg)
	240 V AC	480 V AC	600 V AC					
	HP	HP	HP					
20	5	10	10	Pistol	Black	–	EOT520N3CAP-PBA	1.70 / 0.77
					Black	1 NO + 1 NC	EOT520N3CAP-PB1	1.77 / 0.80
				Selector	Black	–	EOT520N3CAP-SBA	1.70 / 0.77
					Black	1 NO + 1 NC	EOT520N3CAP-SB1	1.77 / 0.80
30	7	15	20	Pistol	Black	–	EOT530N3CAP-PBA	1.70 / 0.77
					Black	1 NO + 1 NC	EOT530N3CAP-PB1	1.77 / 0.80
				Selector	Black	–	EOT530N3CAP-SBA	1.70 / 0.77
					Black	1 NO + 1 NC	EOT530N3CAP-SB1	1.77 / 0.80
40	10	20	25	Pistol	Black	–	EOT540N3CAP-PBA	1.70 / 0.77
					Black	1 NO + 1 NC	EOT540N3CAP-PB1	1.77 / 0.80
				Selector	Black	–	EOT540N3CAP-SBA	1.70 / 0.77
					Black	1 NO + 1 NC	EOT540N3CAP-SB1	1.77 / 0.80
60	15	30	30	Pistol	Black	–	EOT560N3CAP-PBA	2.70 / 1.22
					Black	1 NO + 1 NC	EOT560N3CAP-PB1	2.77 / 1.25
				Selector	Black	–	EOT560N3CAP-SBA	2.70 / 1.22
					Black	1 NO + 1 NC	EOT560N3CAP-SB1	2.77 / 1.25
80	20	40	40	Pistol	Black	–	EOT580N3CAP-PBA	3.70 / 1.68
					Black	1 NO + 1 NC	EOT580N3CAP-PB1	3.77 / 1.71
				Selector	Black	–	EOT580N3CAP-SBA	3.70 / 1.68
					Black	1 NO + 1 NC	EOT580N3CAP-SB1	3.77 / 1.71

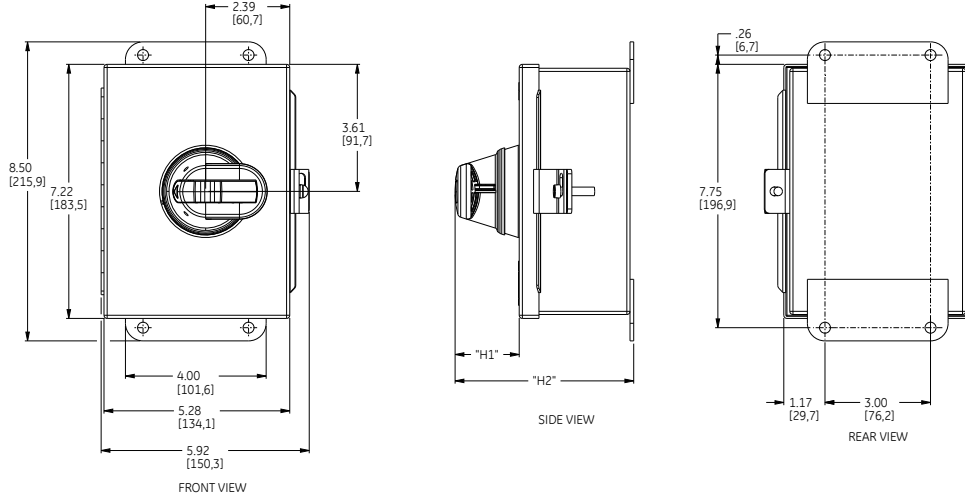
Enclosed Rotary Switches EOT520, EOT530, EOT540

3-pole UL 508, non-fused

Dimensions

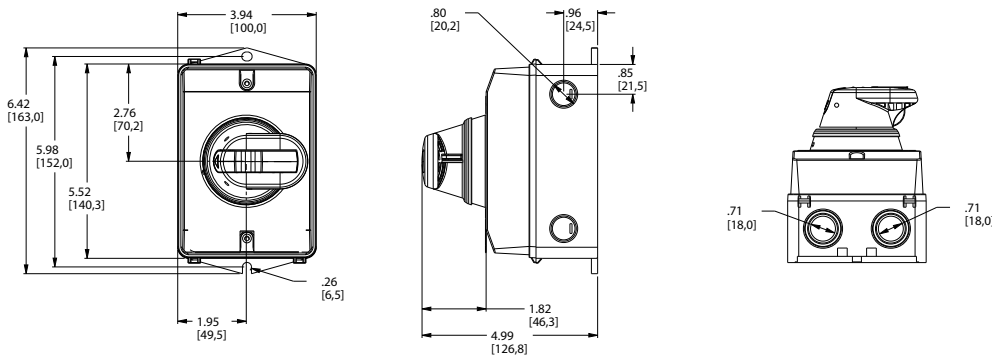
NEMA 3R/12 metal enclosure

NEMA 4/4X stainless steel enclosure



EOT520, EOT530, EOT540

NEMA 4/4X plastic enclosure



EOT520, EOT530, EOT540

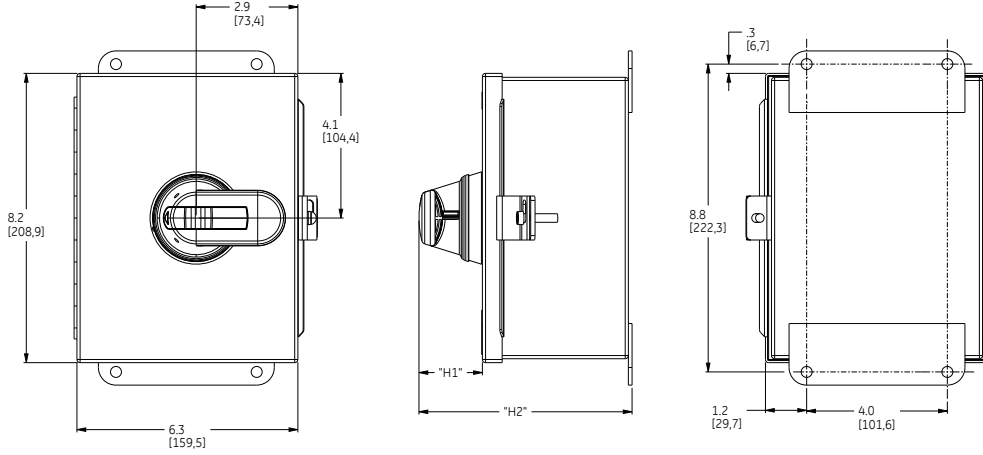
Enclosed Rotary Switches EOT560, EOT580

3-pole UL 508, non-fused

Dimensions

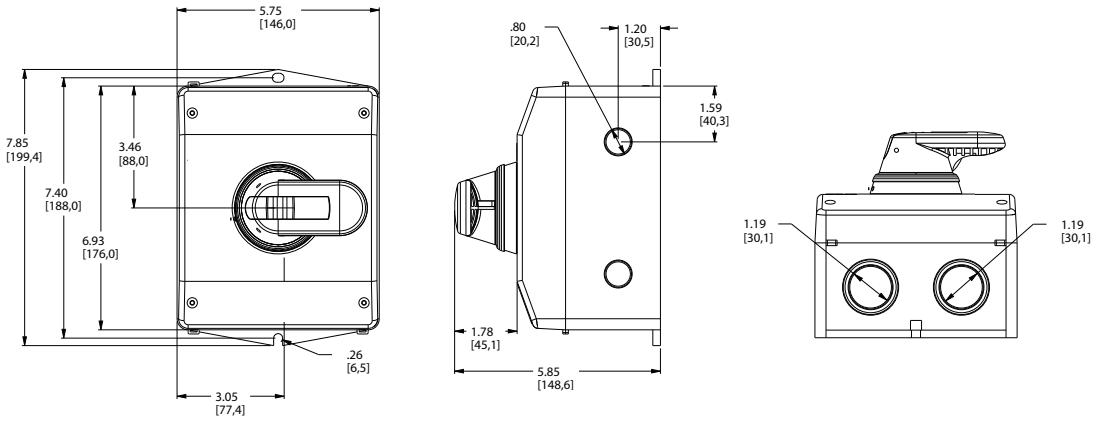
NEMA 3R/12 metal enclosure

NEMA 4/4X stainless steel enclosure

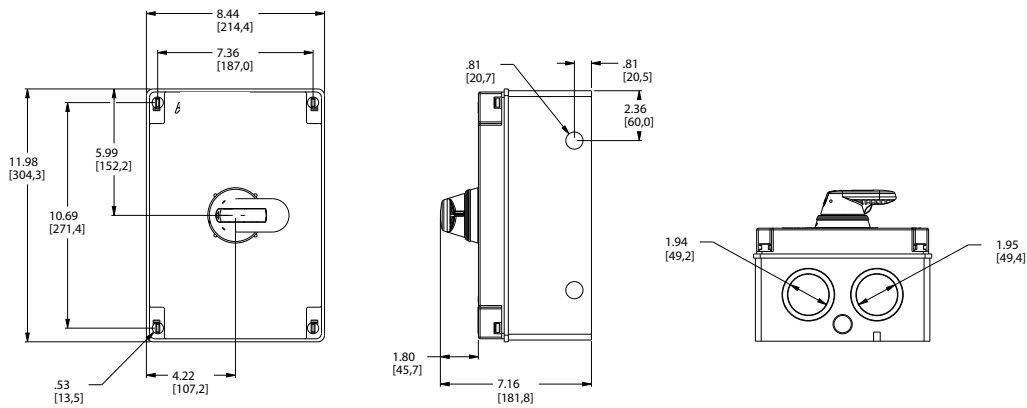


EOT560, EOT580

NEMA 4/4X plastic enclosure



EOT560



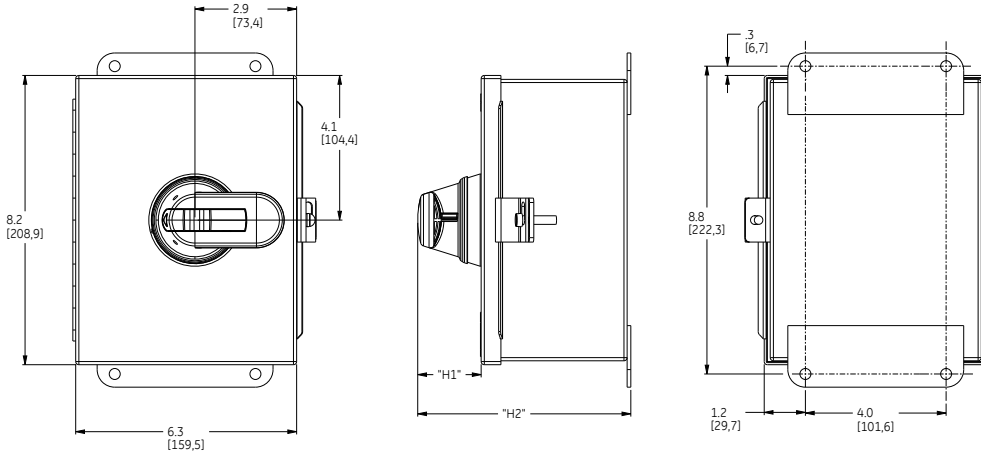
EOT580

Dimensions inches (mm)

Enclosed Rotary Switches EOT520, EOT530, EOT540, EOT560, EOT580

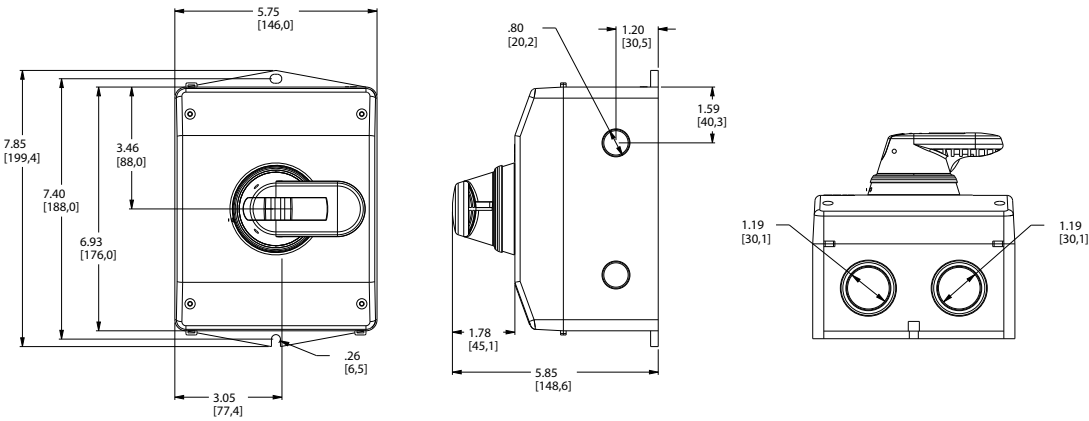
6-pole UL 508, non-fused
 3-pole UL 508, changeover
 Dimensions

NEMA 3R/12 metal enclosure
NEMA 4/4X stainless steel enclosure

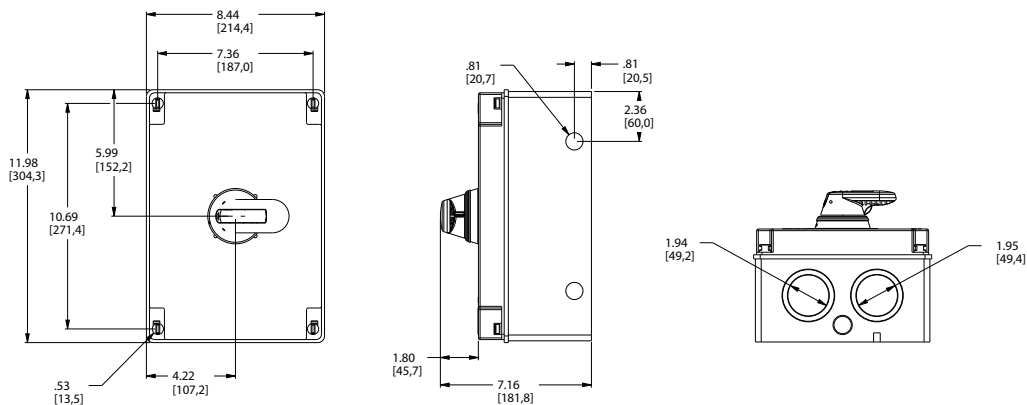


EOT520, EOT530, EOT540, EOT560, EOT580

NEMA 4/4X plastic enclosure



EOT520, EOT530, EOT540, EOT560



EOT580

Dimensions inches (mm)

Additional information

We reserve the right to make technical changes or modify the contents of this document without prior notice. With regard to purchase orders, the agreed particulars shall prevail. ABB Inc. does not accept any responsibility whatsoever for potential errors or possible lack of information in this document.

We reserve all rights in this document and in the subject matter and illustrations contained therein. Any reproduction, disclosure to third parties or utilization of its contents – in whole or in parts – is forbidden without prior written consent of ABB Inc.



ABB Inc.

305 Gregson Drive
Cary, NC 27511
USA

electrification.us.abb.com

ISQC920005C0201 - 02.2024