

US CATALOG 2022

Pilot devices

The complete offering



ABB pilot devices are engineered for total reliability. Their innovative design simplify the entire process, from selection to installation. Enclosures, signal towers and signal beacons complete the portfolio.

Pilot devices

The complete offering

OVERVIEW
P.2

**MODULAR
PLASTIC RANGE,
22 MM**
P.13

**MODULAR
METAL RANGE,
22 MM**
P.55

**COMPACT RANGE,
22 MM**
P.89

**ENCLOSURES
AND ASSEMBLED
STATIONS**
P.121

**LEGEND PLATES
AND TEXT CAPS**
P.133

**HEAVY DUTY
OIL-TIGHT RANGE,
30 MM**
P.141

**SIGNAL TOWERS
AND SIGNAL
BEACONS**
P.181

**GENERAL
TECHNICAL DATA**
P.190

INDEX
P.192

**MARKETING
MATERIALS**
P. 226

Pilot devices

Reliable in all applications

Whether it is installed in an EV charger or in the testing equipment of an elevator ABB pilot devices will work as a reliable interface for operators. They are designed and tested to withstand extreme environments.



—
01



—
02



—
03

- 01 Elevator
- 02 EV charging
- 03 Marine

A small upgrade that can make a big difference. Trust is everything. And in industrial environments, it is essential to have human-machine interfaces you can count on. Whenever you start or stop a process, the response must be assured. That’s why ABB pilot devices are designed and engineered to deliver total reliability.

Continuous production, maximum uptime and higher profits require exceptional process reliability.



—
04

—
04 Food and beverage
—
05 Marine and ports

When it comes to the safety of your people, dependability is essential.



—
05

The details matter. Work starts and stops with pilot devices and so does your productivity and safety. Rely on ABB pilot devices to perform when it matters the most.

Pilot devices

Reliable products, easy to select and install



ABB pilot devices are engineered for total reliability. Our products are tested to extremes and proven in the toughest environments. Their innovative design simplify the entire process, from selection to installation. Enclosures, signal towers and signal beacons complete the portfolio.



Continuous operation

Engineered for tough environments

ABB pilot devices are designed with protection degree of up to IP69K and 4X, guaranteeing reliability in extreme environments – making ABB pilot devices ideal for use in demanding industries such as construction and food and beverage. An innovative design that automatically cleans contacts ensures high reliability for all products.



Global availability

Simple selection and stock management

ABB's core offering includes the pilot devices most in demand, so product selection is easier, stock management is simpler and product availability is higher.

Support for exporters is world-class, thanks to ABB's standardized global range, certified to comply with all major international standards.



Easy to install

Save time and space

The unique design of ABB's modular ranges enable tool-free installation that is quick and simple. It provides high flexibility for last-minute changes. With its all-in-one construction, the compact range reduces installation space and saves time.

Pilot devices

Reliability that lasts

Continuous operation

Longer lifetime

- ABB pilot Devices are engineered and tested to sustain frequent use over time in any environment

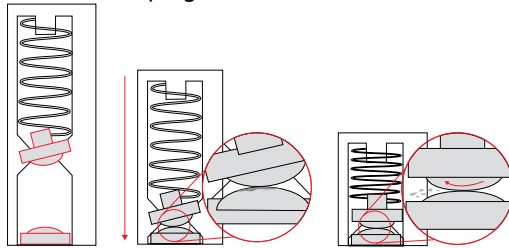
High mechanical durability

- Tested to achieve mechanical life time of up to 10 million operations

Ensuring electric connectivity

- Self-cleaning contacts ensure reliable operation without the need for maintenance, increasing uptime

The built-in wiping mechanism cleans the



contacts when operated to remove dust and oxidation on the contacts and improve conductivity.

Dust and water proof

All ABB pilot devices are impenetrable to dust and are extremely resistant to water exposure.

IP66

IP66-classed pilot devices can withstand high-pressure water jets and are suitable for tough outdoor use.

IP67

IP67-classed pilot devices can withstand immersion in one meter of water for 30 minutes. They are suitable for use in the harshest environments with water and dust.

IP69K

IP69K pilot devices can withstand both rough treatment and intensive, high-temperature cleaning. They are ideal for environments with high sanitary requirements, such as the food and beverage industry.

Find full test description in general technical data section.

—
01 Mechanical durability test

—
02 Total protection against any kind of dust

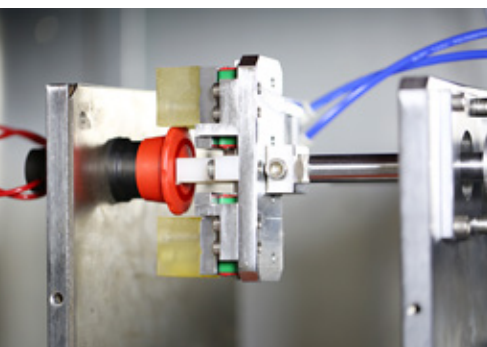
—
03 Powerful water jets projected against the front from a distance of 3 meters

Testing that goes beyond the standards



Watch the video

Trust ABB to produce products that work in any environment.



01



02



03

Pilot devices

Global quality, local support



Global availability

Available worldwide from ABB

Achieve truly global solutions

- Same products and quality all around the world
- Local support available everywhere with ABB's global distribution network
- All certificates and spare parts available globally.

Always the right solution with the wide range of LEDs

Save time and money on your projects with fewer order codes for your illuminated products.

With supply voltage of 6.3 V DC to 415 V AC for both modular and compact range, ABB covers all the needs with no additional transformers.

Easy to install

Reduce installation time by choosing between

the flexible modular ranges and the all-in-one compact range of pilot devices.

Mixing and matching the two ranges enables faster and more flexible purchasing and design. Fastening of the nut is tool-free and most accessories can be used for both ranges.

Modular plastic range

Flexible configuration

A versatile selection of operators with high levels of flexibility and a broad choice of electrical ratings. Find the perfect solution for almost every application.



Modular metal range

Designed for demanding applications

ABB’s modular metal range combines ultimate reliability with the total flexibility of a modular range. For mining, construction and heavy industry applications, find the right solution here.

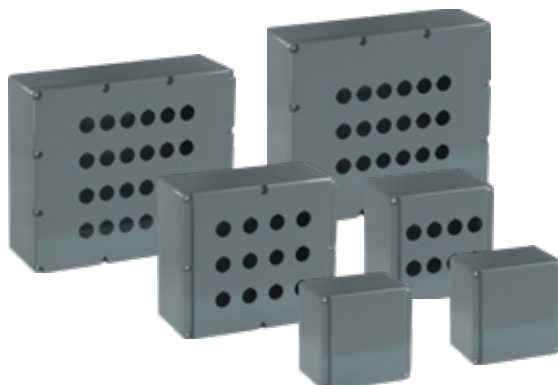


Installation time savings
Tool-free, snap-on components make mounting and dismantling quick and easy

Snap on holder for 3 or 5 contact blocks

- Assured robustness for demanding environments**
- Full satin chrome metal body and nut
 - High friction nut and metal stops make sure the operator stays in place
 - IP66 high dust and water protection rating

IP66 aluminum metal enclosures are available to accompany this range



Compact range

All-in-one solution

The most efficient solution available, reducing installation time and cost. The compact range have the highest level of dust and water resistance on the market.



Pushbuttons



Heavy duty pushbuttons



Mushroom pushbuttons



Emergency stop pushbuttons



Machine stop pushbuttons



Pilot lights



Selector switches



Buzzers

Fewer order codes make selection easy and save time.

All-in-one design makes installation fast.



Improve reliability:
Higher protection levels
with IP66, IP67 and
IP69K classification and
4X (NEMA)

Compact:
Just 42 mm
built in depth

Pilot devices, 22 mm

Modular plastic range

Ordering details

14	Mounting instructions
15	Non-illuminated pushbuttons
17	Illuminated pushbuttons
19	Non-illuminated double pushbuttons
20	Illuminated double pushbuttons
22	Mushroom pushbuttons
23	Emergency stop pushbuttons
24	Machine stop pushbuttons
25	Heavy duty pushbuttons
26	Non-illuminated selector switches
32	Illuminated selector switches
36	Key-operated selector switches–2 and 3 position
38	Potentiometers
39	Reset pushbuttons
41	Joysticks
42	Toggle switches

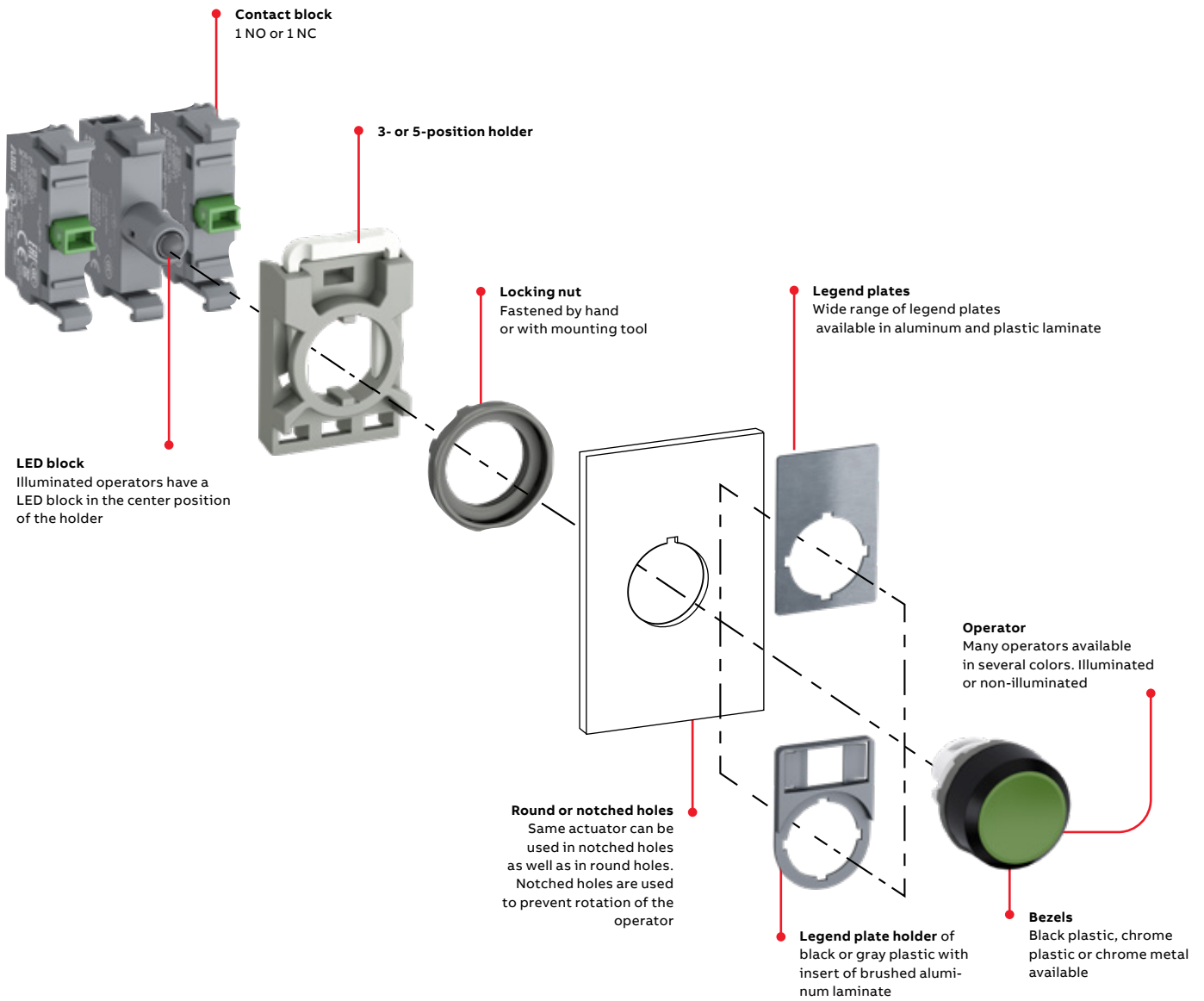
Accessories for modular range

43	Contact block configuration
44	Holders and contact blocks for front mounting
45	LED blocks for front mounting
47	Other accessories

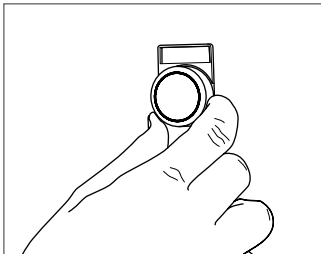
Technical data

Drilling plan

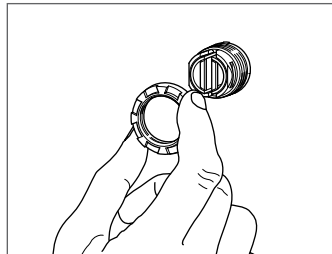
Modular plastic range



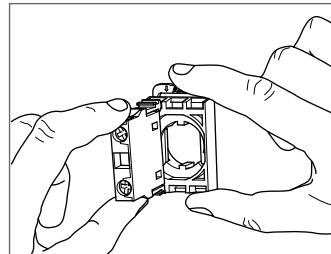
Easy to install



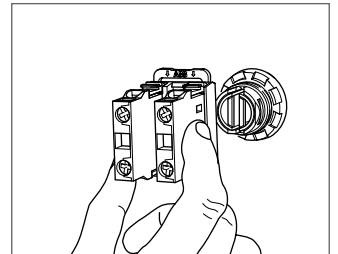
The operator is to be inserted from the front...



...and secured at the back with the nut.

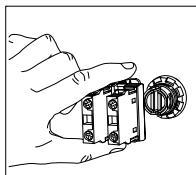
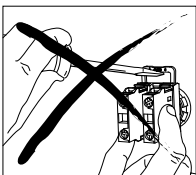


The contact blocks/LED block are then snapped on to the holder...



...and the holder snaps on to the operator.

...and to remove



Press down the spring on the holder and pull the holder from the actuator.

Simple and fast installation



Watch the video

Modular plastic range

Non-illuminated flush pushbuttons



MP1-10R

1SFC151004V0001



MP1-10Y

1SFC151016V0001



MP1-30L

1SFC151031V0001



MP2-10G

1SFC151015V0001



MP2-10W

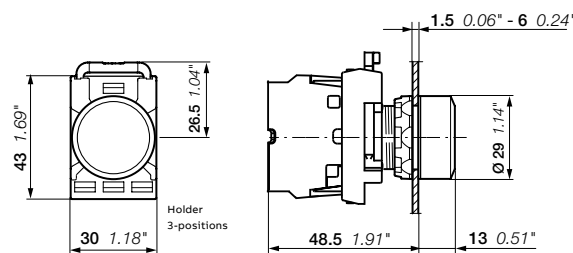
1SFC151018V0001



MP2-20B

1SFC151029V0001

Operator	Bezel	Type	Order code	Pkg qty	Weight (1 pce) kg
Momentary					
● Red	Black plastic	MP1-10R	1SFA611100R1001	1	0.016
	Chrome plastic	MP1-20R	1SFA611100R2001	1	0.016
	Chrome metal	MP1-30R	1SFA611100R3001	1	0.026
● Green	Black plastic	MP1-10G	1SFA611100R1002	1	0.016
	Chrome plastic	MP1-20G	1SFA611100R2002	1	0.016
	Chrome metal	MP1-30G	1SFA611100R3002	1	0.026
● Yellow	Black plastic	MP1-10Y	1SFA611100R1003	1	0.016
	Chrome plastic	MP1-20Y	1SFA611100R2003	1	0.016
	Chrome metal	MP1-30Y	1SFA611100R3003	1	0.026
● Blue	Black plastic	MP1-10L	1SFA611100R1004	1	0.016
	Chrome plastic	MP1-20L	1SFA611100R2004	1	0.016
	Chrome metal	MP1-30L	1SFA611100R3004	1	0.026
○ White	Black plastic	MP1-10W	1SFA611100R1005	1	0.016
	Chrome plastic	MP1-20W	1SFA611100R2005	1	0.016
	Chrome metal	MP1-30W	1SFA611100R3005	1	0.026
● Black	Black plastic	MP1-10B	1SFA611100R1006	1	0.016
	Chrome plastic	MP1-20B	1SFA611100R2006	1	0.016
	Chrome metal	MP1-30B	1SFA611100R3006	1	0.026
○ Clear	Black plastic	MP1-10C	1SFA611100R1008	1	0.016
	Chrome plastic	MP1-20C	1SFA611100R2008	1	0.016
	Chrome metal	MP1-30C	1SFA611100R3008	1	0.026
Maintained					
● Red	Black plastic	MP2-10R	1SFA611101R1001	1	0.016
	Chrome plastic	MP2-20R	1SFA611101R2001	1	0.016
	Chrome metal	MP2-30R	1SFA611101R3001	1	0.026
● Green	Black plastic	MP2-10G	1SFA611101R1002	1	0.016
	Chrome plastic	MP2-20G	1SFA611101R2002	1	0.016
	Chrome metal	MP2-30G	1SFA611101R3002	1	0.026
● Yellow	Black plastic	MP2-10Y	1SFA611101R1003	1	0.016
	Chrome metal	MP2-30Y	1SFA611101R3003	1	0.026
	● Blue	Black plastic	MP2-10L	1SFA611101R1004	1
Chrome plastic		MP2-20L	1SFA611101R2004	1	0.016
Chrome metal		MP2-30L	1SFA611101R3004	1	0.026
○ White	Black plastic	MP2-10W	1SFA611101R1005	1	0.016
	Chrome plastic	MP2-20W	1SFA611101R2005	1	0.016
	● Black	Black plastic	MP2-10B	1SFA611101R1006	1
Chrome plastic		MP2-20B	1SFA611101R2006	1	0.016
Chrome metal		MP2-30B	1SFA611101R3006	1	0.026
○ Clear	Black plastic	MP2-10C	1SFA611101R1008	1	0.016



MP1, MP2
Dimensions (mm, inches)

Modular plastic range

Non-illuminated extended pushbuttons



MP3-10R

1SFC151006V0001



MP3-20Y

1SFC151028V0001



MP3-10W

1SFC151013V0001



MP3-10C

1SFC151333V0001



MP4-10G

1SFC151012V0001



MP4-10L

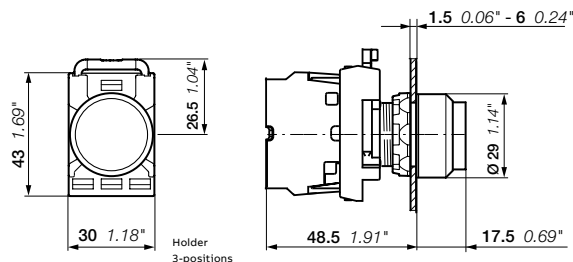
1SFC151019V0001



MP4-10B

1SFC151011V0001

Operator	Bezel	Type	Order code	Pkg qty	Weight (1 pce) kg
Momentary					
● Red	Black plastic	MP3-10R	1SFA611102R1001	1	0.016
	Chrome plastic	MP3-20R	1SFA611102R2001	1	0.016
	Chrome metal	MP3-30R	1SFA611102R3001	1	0.026
● Green	Black plastic	MP3-10G	1SFA611102R1002	1	0.016
	Chrome plastic	MP3-20G	1SFA611102R2002	1	0.016
	Chrome metal	MP3-30G	1SFA611102R3002	1	0.026
● Yellow	Black plastic	MP3-10Y	1SFA611102R1003	1	0.016
	Chrome plastic	MP3-20Y	1SFA611102R2003	1	0.016
	Chrome metal	MP3-30Y	1SFA611102R3003	1	0.026
● Blue	Black plastic	MP3-10L	1SFA611102R1004	1	0.016
	Chrome plastic	MP3-20L	1SFA611102R2004	1	0.016
	Chrome metal	MP3-30L	1SFA611102R3004	1	0.026
○ White	Black plastic	MP3-10W	1SFA611102R1005	1	0.016
	Chrome plastic	MP3-20W	1SFA611102R2005	1	0.016
	Chrome metal	MP3-30W	1SFA611102R3005	1	0.026
● Black	Black plastic	MP3-10B	1SFA611102R1006	1	0.016
	Chrome plastic	MP3-20B	1SFA611102R2006	1	0.016
	Chrome metal	MP3-30B	1SFA611102R3006	1	0.026
○ Clear	Black plastic	MP3-10C	1SFA611102R1008	1	0.016
	Chrome metal	MP3-30C	1SFA611102R3008	1	0.026
	Maintained				
● Red	Black plastic	MP4-10R	1SFA611103R1001	1	0.016
	Chrome plastic	MP4-20R	1SFA611103R2001	1	0.016
● Green	Black plastic	MP4-10G	1SFA611103R1002	1	0.016
	Chrome plastic	MP4-20G	1SFA611103R2002	1	0.016
	Chrome metal	MP4-30G	1SFA611103R3002	1	0.026
● Yellow	Black plastic	MP4-10Y	1SFA611103R1003	1	0.016
	Chrome plastic	MP4-20Y	1SFA611103R2003	1	0.016
● Blue	Black plastic	MP4-10L	1SFA611103R1004	1	0.016
	Chrome plastic	MP4-20L	1SFA611103R2004	1	0.016
○ White	Black plastic	MP4-10W	1SFA611103R1005	1	0.016
● Black	Black plastic	MP4-10B	1SFA611103R1006	1	0.016
	Chrome metal	MP4-30B	1SFA611103R3006	1	0.026
○ Clear	Black plastic	MP4-10C	1SFA611103R1008	1	0.016



MP3, MP4
Dimensions (mm, inches)

Modular plastic range

Illuminated flush pushbuttons



MP1-31G

1SFCL51048V0001



MP1-11Y

1SFCL51042V0001



MP1-21L

1SFCL51046V0001



MP2-31R

1SFCL51046V0001



MP2-11L

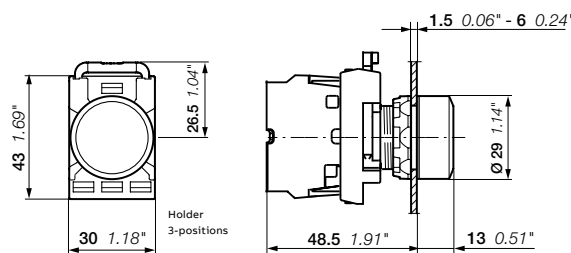
1SFCL51040V0001



MP2-11C

1SFCL51044V0001

Operator	Bezel	Type	Order code	Pkg qty	Weight (1 pce) kg
Momentary					
● Red	Black plastic	MP1-11R	1SFA611100R1101	1	0.016
	Chrome plastic	MP1-21R	1SFA611100R2101	1	0.016
	Chrome metal	MP1-31R	1SFA611100R3101	1	0.026
● Green	Black plastic	MP1-11G	1SFA611100R1102	1	0.016
	Chrome plastic	MP1-21G	1SFA611100R2102	1	0.016
	Chrome metal	MP1-31G	1SFA611100R3102	1	0.026
● Yellow	Black plastic	MP1-11Y	1SFA611100R1103	1	0.016
	Chrome plastic	MP1-21Y	1SFA611100R2103	1	0.016
	Chrome metal	MP1-31Y	1SFA611100R3103	1	0.026
● Blue	Black plastic	MP1-11L	1SFA611100R1104	1	0.016
	Chrome plastic	MP1-21L	1SFA611100R2104	1	0.016
	Chrome metal	MP1-31L	1SFA611100R3104	1	0.026
○ White	Black plastic	MP1-11W	1SFA611100R1105	1	0.016
	Chrome plastic	MP1-21W	1SFA611100R2105	1	0.016
	Chrome metal	MP1-31W	1SFA611100R3105	1	0.026
○ Clear	Black plastic	MP1-11C	1SFA611100R1108	1	0.016
	Chrome plastic	MP1-21C	1SFA611100R2108	1	0.016
	Chrome metal	MP1-31C	1SFA611100R3108	1	0.026
Maintained					
● Red	Black plastic	MP2-11R	1SFA611101R1101	1	0.016
	Chrome plastic	MP2-21R	1SFA611101R2101	1	0.016
	Chrome metal	MP2-31R	1SFA611101R3101	1	0.026
● Green	Black plastic	MP2-11G	1SFA611101R1102	1	0.016
	Chrome plastic	MP2-21G	1SFA611101R2102	1	0.016
	Chrome metal	MP2-31G	1SFA611101R3102	1	0.026
● Yellow	Black plastic	MP2-11Y	1SFA611101R1103	1	0.016
	Chrome plastic	MP2-21Y	1SFA611101R2103	1	0.016
	Chrome metal	MP2-31Y	1SFA611101R3103	1	0.026
● Blue	Black plastic	MP2-11L	1SFA611101R1104	1	0.016
	Chrome plastic	MP2-21L	1SFA611101R2104	1	0.016
	Chrome metal	MP2-31L	1SFA611101R3104	1	0.026
○ White	Black plastic	MP2-11W	1SFA611101R1105	1	0.016
	Chrome plastic	MP2-21W	1SFA611101R2105	1	0.016
	Chrome metal	MP2-31W	1SFA611101R3105	1	0.026
○ Clear	Black plastic	MP2-11C	1SFA611101R1108	1	0.016
	Chrome plastic	MP2-21C	1SFA611101R2108	1	0.016
	Chrome metal	MP2-31C	1SFA611101R3108	1	0.026



MP1, MP2
Dimensions (mm, inches)

Modular plastic range

Illuminated extended pushbuttons



1SFC151065V0001

MP3-11R



1SFC151062V0001

MP3-31G



1SFC151072V0001

MP3-11W



1SFC151083V0001

MP4-11Y



1SFC151061V0001

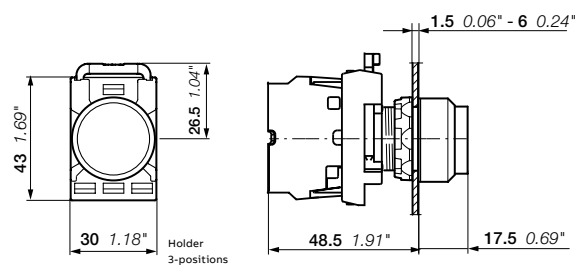
MP4-31L



1SFC151067V0001

MP4-21C

Operator	Bezel	Type	Order code	Pkg qty	Weight (1 pce) kg
Momentary					
● Red	Black plastic	MP3-11R	1SFA611102R1101	1	0.016
	Chrome plastic	MP3-21R	1SFA611102R2101	1	0.016
	Chrome metal	MP3-31R	1SFA611102R3101	1	0.026
● Green	Black plastic	MP3-11G	1SFA611102R1102	1	0.016
	Chrome plastic	MP3-21G	1SFA611102R2102	1	0.016
	Chrome metal	MP3-31G	1SFA611102R3102	1	0.026
● Yellow	Black plastic	MP3-11Y	1SFA611102R1103	1	0.016
	Chrome plastic	MP3-21Y	1SFA611102R2103	1	0.016
	Chrome metal	MP3-31Y	1SFA611102R3103	1	0.026
● Blue	Black plastic	MP3-11L	1SFA611102R1104	1	0.016
	Chrome plastic	MP3-21L	1SFA611102R2104	1	0.016
	Chrome metal	MP3-31L	1SFA611102R3104	1	0.026
○ White	Black plastic	MP3-11W	1SFA611102R1105	1	0.016
	Chrome plastic	MP3-21W	1SFA611102R2105	1	0.016
	Chrome metal	MP3-31W	1SFA611102R3105	1	0.026
○ Clear	Black plastic	MP3-11C	1SFA611102R1108	1	0.016
	Chrome plastic	MP3-21C	1SFA611102R2108	1	0.016
	Chrome metal	MP3-31C	1SFA611102R3108	1	0.026
Maintained					
● Red	Black plastic	MP4-11R	1SFA611103R1101	1	0.016
	Chrome plastic	MP4-21R	1SFA611103R2101	1	0.016
	Chrome metal	MP4-31R	1SFA611103R3101	1	0.026
● Green	Black plastic	MP4-11G	1SFA611103R1102	1	0.016
	Chrome plastic	MP4-21G	1SFA611103R2102	1	0.016
	Chrome metal	MP4-31G	1SFA611103R3102	1	0.026
● Yellow	Black plastic	MP4-11Y	1SFA611103R1103	1	0.016
	Chrome plastic	MP4-21Y	1SFA611103R2103	1	0.016
● Blue	Black plastic	MP4-11L	1SFA611103R1104	1	0.016
	Chrome plastic	MP4-21L	1SFA611103R2104	1	0.016
	Chrome metal	MP4-31L	1SFA611103R3104	1	0.026
○ White	Black plastic	MP4-11W	1SFA611103R1105	1	0.016
	Chrome plastic	MP4-21W	1SFA611103R2105	1	0.016
○ Clear	Black plastic	MP4-11C	1SFA611103R1108	1	0.016
	Chrome plastic	MP4-21C	1SFA611103R2108	1	0.016
	Chrome metal	MP4-31C	1SFA611103R3108	1	0.026



MP3, MP4

Dimensions (mm, inches)

Modular plastic range

Non-illuminated double pushbuttons momentary



MPD1-11B



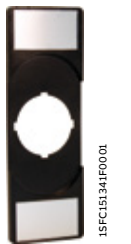
MPD5-11B



MPD13-11B



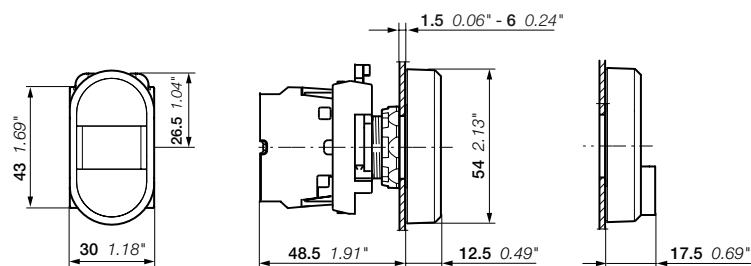
MPD15-11B



MA1-8139

Operator upper button	Operator lower button	Type	Order code	Pkg qty	Weight (1 pce) kg
Flush pushbutton					
● Green	● Red				
No text	No text	MPD1-11B	1SFA611130R1106	1	0.025
I	O	MPD2-11B	1SFA611131R1106	1	0.025
ON	OFF	MPD3-11B	1SFA611132R1106	1	0.025
START	STOP	MPD4-11B	1SFA611133R1106	1	0.025
○ White	● Black				
No text	No text	MPD5-11B	1SFA611134R1106	1	0.025
I	O	MPD6-11B	1SFA611135R1106	1	0.025
ON	OFF	MPD7-11B	1SFA611136R1106	1	0.025
START	STOP	MPD8-11B	1SFA611137R1106	1	0.025
● Black	● Red				
No text	No text	MPD9-11B	1SFA611138R1106	1	0.025
Extended lower pushbutton					
● Green	● Red				
No text	No text	MPD12-11B	1SFA611141R1106	1	0.025
I	O	MPD13-11B	1SFA611142R1106	1	0.025
ON	OFF	MPD14-11B	1SFA611143R1106	1	0.025
START	STOP	MPD15-11B	1SFA611144R1106	1	0.025
○ White	● Black				
No text	No text	MPD16-11B	1SFA611145R1106	1	0.025
I	O	MPD17-11B	1SFA611146R1106	1	0.025
ON	OFF	MPD18-11B	1SFA611147R1106	1	0.025
START	STOP	MPD19-11B	1SFA611148R1106	1	0.025
Accessories					
Legend plate holder					
2-position		MA1-8139	1SFA611920R8139	10	0.030

Note: Insert not included. Suitable for insert size 27 x 15 mm. Refer to Legend plates section.



MPD
Dimensions (mm, inches)

Modular plastic range

Illuminated double pushbuttons momentary–Flush lower button

02



MPD4-11C



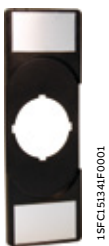
MPD5-11C



MPD2-11R



MPD3-11G



MA1-8139

Operator upper button	Operator lower button	Type	Order code	Pkg qty	Weight (1 pce) kg
-----------------------	-----------------------	------	------------	---------	-------------------

Clear light indicator

● Green	● Red				
No text	No text	MPD1-11C	1SFA611130R1108	1	0.025
I	O	MPD2-11C	1SFA611131R1108	1	0.025
ON	OFF	MPD3-11C	1SFA611132R1108	1	0.025
START	STOP	MPD4-11C	1SFA611133R1108	1	0.025
○ White	● Black				
No text	No text	MPD5-11C	1SFA611134R1108	1	0.025
I	O	MPD6-11C	1SFA611135R1108	1	0.025
START	STOP	MPD8-11C	1SFA611137R1108	1	0.025

Red light indicator

● Green	● Red				
No text	No text	MPD1-11R	1SFA611130R1101	1	0.025
I	O	MPD2-11R	1SFA611131R1101	1	0.025
ON	OFF	MPD3-11R	1SFA611132R1101	1	0.025
START	STOP	MPD4-11R	1SFA611133R1101	1	0.025
○ White	● Black				
No text	No text	MPD5-11R	1SFA611134R1101	1	0.025

Green light indicator

● Green	● Red				
No text	No text	MPD1-11G	1SFA611130R1102	1	0.025
I	O	MPD2-11G	1SFA611131R1102	1	0.025
ON	OFF	MPD3-11G	1SFA611132R1102	1	0.025
START	STOP	MPD4-11G	1SFA611133R1102	1	0.025
○ White	● Black				
No text	No text	MPD5-11G	1SFA611134R1102	1	0.025
I	O	MPD6-11G	1SFA611135R1102	1	0.025
ON	OFF	MPD7-11G	1SFA611136R1102	1	0.025
START	STOP	MPD8-11G	1SFA611137R1102	1	0.025

Yellow light indicator

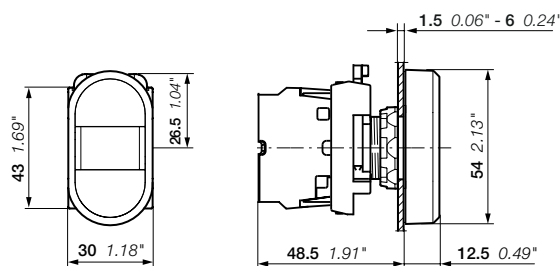
● Green	● Red				
No text	No text	MPD1-11Y	1SFA611130R1103	1	0.025
I	O	MPD2-11Y	1SFA611131R1103	1	0.025
ON	OFF	MPD3-11Y	1SFA611132R1103	1	0.025
START	STOP	MPD4-11Y	1SFA611133R1103	1	0.025
○ White	● Black				
No text	No text	MPD5-11Y	1SFA611134R1103	1	0.025

Accessories

Legend plate holder

2-position	MA1-8139	1SFA611920R8139	10	0.030
------------	----------	-----------------	----	-------

Note: Insert not included. Suitable for insert size 27 x 15 mm. Refer to Legend plates section.



MPD
Dimensions (mm, inches)

Modular plastic range

Illuminated double pushbuttons momentary–Extended lower button



MPD12-11C

1SFA6114R1108



MPD14-11C

1SFA61143R1108



MDP13-11R

1SFA61142R1101



MDP14-11G

1SFA61143R1102



MDP12-11Y

1SFA61141R1103



MA1-8139

1SFA611920R8139

Operator upper button	Operator lower button	Type	Order code	Pkg qty	Weight (1 pce) kg
-----------------------	-----------------------	------	------------	---------	-------------------

Clear light indicator

● Green	● Red				
No text	No text	MPD12-11C	1SFA611141R1108	1	0.025
I	0	MPD13-11C	1SFA611142R1108	1	0.025
ON	OFF	MPD14-11C	1SFA611143R1108	1	0.025
START	STOP	MPD15-11C	1SFA611144R1108	1	0.025
○ White	● Black				
No text	No text	MPD16-11C	1SFA611145R1108	1	0.025
I	0	MPD17-11C	1SFA611146R1108	1	0.025
START	STOP	MPD19-11C	1SFA611148R1108	1	0.025

Red light indicator

● Green	● Red				
No text	No text	MPD12-11R	1SFA611141R1101	1	0.025
I	0	MPD13-11R	1SFA611142R1101	1	0.025
ON	OFF	MPD14-11R	1SFA611143R1101	1	0.025
START	STOP	MPD15-11R	1SFA611144R1101	1	0.025
○ White	● Black				
No text	No text	MPD16-11R	1SFA611145R1101	1	0.025

Green light indicator

● Green	● Red				
No text	No text	MPD12-11G	1SFA611141R1102	1	0.025
I	0	MPD13-11G	1SFA611142R1102	1	0.025
ON	OFF	MPD14-11G	1SFA611143R1102	1	0.025
START	STOP	MPD15-11G	1SFA611144R1102	1	0.025
○ White	● Black				
No text	No text	MPD16-11G	1SFA611145R1102	1	0.025
I	0	MPD17-11G	1SFA611146R1102	1	0.025
START	STOP	MPD19-11G	1SFA611148R1102	1	0.025

Yellow light indicator

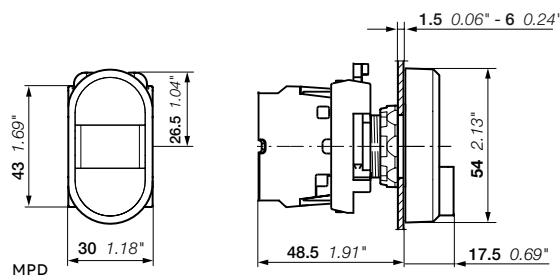
● Green	● Red				
No text	No text	MPD12-11Y	1SFA611141R1103	1	0.025
I	0	MPD13-11Y	1SFA611142R1103	1	0.025
ON	OFF	MPD14-11Y	1SFA611143R1103	1	0.025
START	STOP	MPD15-11Y	1SFA611144R1103	1	0.025
○ White	● Black				
No text	No text	MPD16-11Y	1SFA611145R1103	1	0.025
I	0	MPD17-11Y	1SFA611146R1103	1	0.025

Accessories

Legend plate holder

2-position	MA1-8139	1SFA611920R8139	10	0.030
------------	----------	-----------------	----	-------

Note: Insert not included. Suitable for insert size 27 x 15 mm. Refer to Legend plates section.



Modular plastic range

Mushroom pushbuttons momentary

02



1SFC151007V0001

MPM1-10G



1SFC151010V0001

MPM1-10B



1SFC151073V0001

MPM2-10R



1SFC151074V0001

MPM2-10Y



1SFC151173V0001

MPM1-11G



1SFC151155V0001

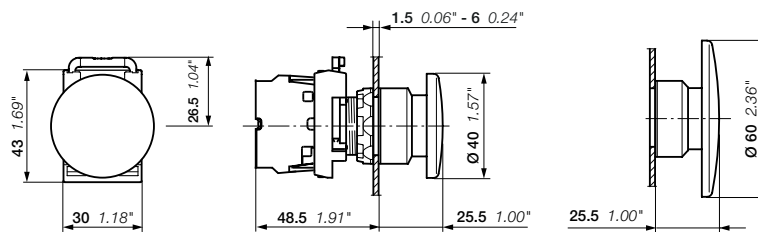
MPM2-11R

Non illuminated

Operator	Type	Order code	Pkg qty	Weight (1 pce) kg
Ø 40 mm				
● Red	MPM1-10R	1SFA611124R1001	1	0.018
● Green	MPM1-10G	1SFA611124R1002	1	0.018
● Yellow	MPM1-10Y	1SFA611124R1003	1	0.018
● Black	MPM1-10B	1SFA611124R1006	1	0.018
Ø 60 mm				
● Red	MPM2-10R	1SFA611125R1001	1	0.020
● Yellow	MPM2-10Y	1SFA611125R1003	1	0.020
● Black	MPM2-10B	1SFA611125R1006	1	0.020

Illuminated

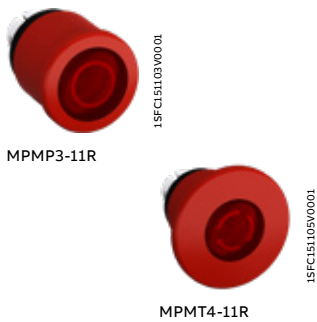
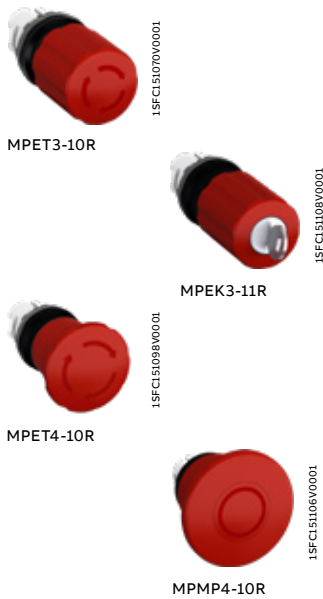
Operator	Type	Order code	Pkg qty	Weight (1 pce) kg
Ø 40 mm				
● Red	MPM1-11R	1SFA611124R1101	1	0.018
● Green	MPM1-11G	1SFA611124R1102	1	0.018
● Yellow	MPM1-11Y	1SFA611124R1103	1	0.018
Ø 60 mm				
● Red	MPM2-11R	1SFA611125R1101	1	0.020
● Yellow	MPM2-11Y	1SFA611125R1103	1	0.020



MPM1, MPM2
Dimensions (mm, inches)

Modular plastic range

Emergency stop pushbuttons



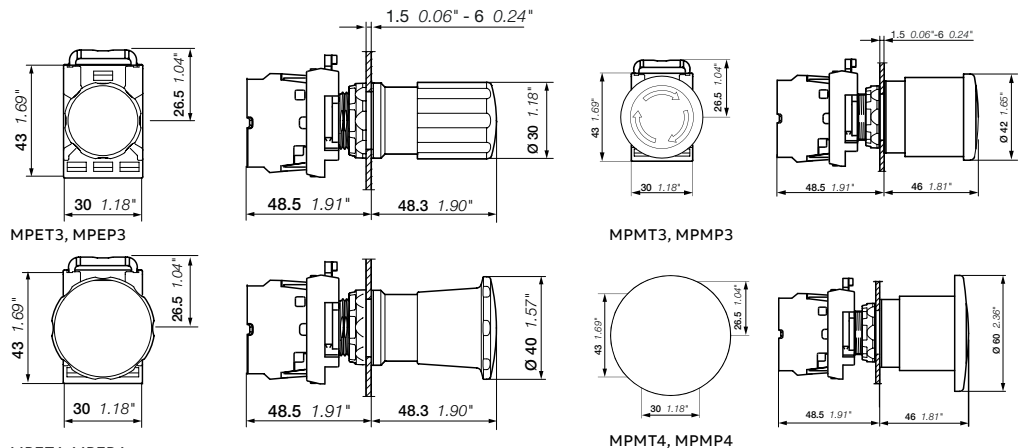
Non illuminated

The emergency stops pushbuttons conform to the standard EN/IEC 60947-5-5, Safety of machinery EN/ISO 13850, IEC 60204-1 and to Machinery directive 2006/42/EC.

Operator	Release method	Type	Order code	Pkg qty	Weight (1 pce) kg
Ø 30 mm					
● Red	Twist release	MPET3-10R	1SFA611520R1001	1	0.036
● Red	Pull release	MPEP3-10R	1SFA611521R1001	1	0.036
● Red	Key code 455	MPEK3-11R	1SFA611522R1101	1	0.065
● Red	Key code 421	MPEK3-12R	1SFA611522R1201	1	0.065
● Red	Key code 3433-E	MPEK3-13R	1SFA611522R1301	1	0.065
Ø 40 mm					
● Red	Twist release	MPET4-10R	1SFA611523R1001	1	0.036
● Red	Pull release	MPEP4-10R	1SFA611524R1001	1	0.036
● Red	Key code 455	MPEK4-11R	1SFA611525R1101	1	0.065
● Red	Key code 421	MPEK4-12R	1SFA611525R1201	1	0.065
● Red	Key code 3433-E	MPEK4-13R	1SFA611525R1301	1	0.065
Ø 60 mm					
● Red	Twist release	MPMT4-10R	1SFA611513R1001	1	0.048
● Red	Pull release	MPMP4-10R	1SFA611514R1001	1	0.048

Illuminated

Operator	Release method	Type	Order code	Pkg qty	Weight (1 pce) kg
Ø 40 mm					
● Red	Twist release	MPMT3-11R	1SFA611510R1101	1	0.041
● Red	Pull release	MPMP3-11R	1SFA611511R1101	1	0.041
Ø 60 mm					
● Red	Twist release	MPMT4-11R	1SFA611513R1101	1	0.048
● Red	Pull release	MPMP4-11R	1SFA611514R1101	1	0.048



Modular plastic range

Machine stop pushbuttons

02



1SFC151094V0001

MPET3-10B



1SFC151096V0001

MPET4-10B

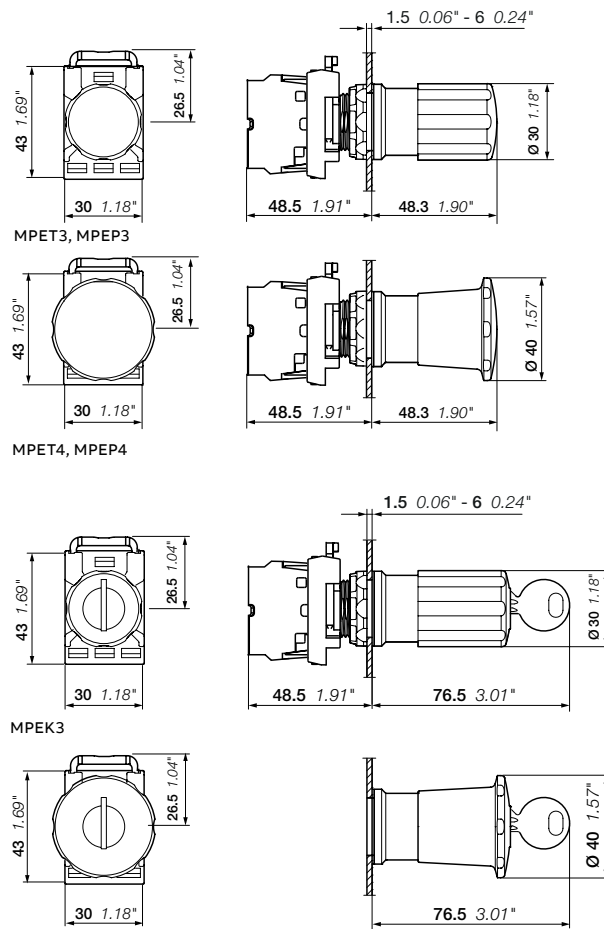


1SFC151110V0001

MPEK4-11B

Non illuminated

Operator	Release method	Type	Order code	Pkg qty	Weight (1 pce) kg
Ø 30 mm					
● Black	Twist release	MPET3-10B	1SFA611520R1006	1	0.036
● Black	Pull release	MPEP3-10B	1SFA611521R1006	1	0.036
● Black	Key code 455	MPEK3-11B	1SFA611522R1106	1	0.065
Ø 40 mm					
● Black	Twist release	MPET4-10B	1SFA611523R1006	1	0.036
● Black	Pull release	MPEP4-10B	1SFA611524R1006	1	0.036
● Black	Key code 455	MPEK4-11B	1SFA611525R1106	1	0.065



Dimensions (mm, inches)

Modular plastic range

Heavy duty pushbuttons



KP6-40R

1SFC15133V0001



KP6-40G

1SFC151336V0001



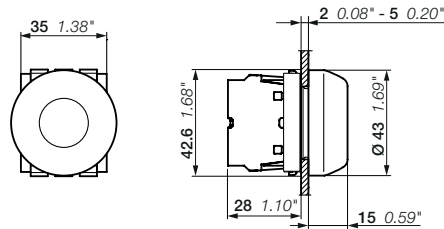
KP6-40B

1SFC151337V0001

Description

For 30 mm mounting hole, 3-position holder included

Color	Type	Order code	Pkg qty	Weight (1 pce) kg
● Red	KP6-40R	1SFA616105R4001	1	0.028
● Green	KP6-40G	1SFA616105R4002	1	0.028
● Black	KP6-40B	1SFA616105R4006	1	0.028



KP6

Modular plastic range

Pilot lights



ML1-100R

1SFC151134V0001



ML1-100G

1SFC151135V0001



ML1-100Y

1SFC151136V0001



ML1-100C

1SFC151138V0001



ML1-100L

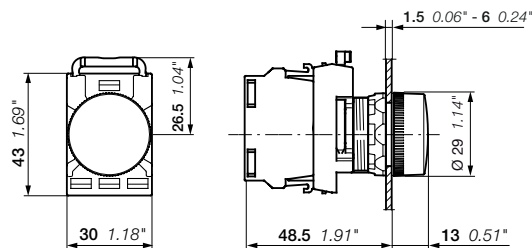
1SFC151137V0001

Color	Type	Order code	Pkg qty	Weight (1 pce) kg
● Red	ML1-100R	1SFA611400R1001	1	0.018
● Green	ML1-100G	1SFA611400R1002	1	0.018
● Yellow	ML1-100Y	1SFA611400R1003	1	0.018
● Blue	ML1-100L	1SFA611400R1004	1	0.018
○ White	ML1-100W	1SFA611400R1005	1	0.018
○ Clear	ML1-100C	1SFA611400R1008	1	0.018

Lens

Light diffusing lens	Order code	Pkg qty	Weight (1 pce) kg
KA1-8005	1SFA616920R8005	10	0.001

Note: Light diffusing lens is used to improve spread of illumination from LED blocks. Cannot be used together with text cap.



ML1

Dimensions (mm, inches)

Modular plastic range

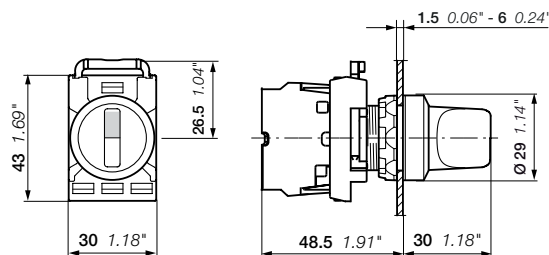
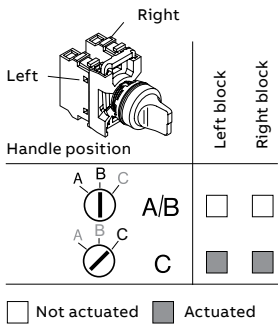
Non-illuminated selector switches–2-position–Short handle

02



Operating principle	Color	Bezel	Type	Order code	Pkg qty	Weight (1 pce) kg	
	● Red	Black plastic	M2SS1-10R	1SFA611200R1001	1	0.015	
		Chrome plastic	M2SS1-20R	1SFA611200R2001	1	0.015	
		Chrome metal	M2SS1-30R	1SFA611200R3001	1	0.024	
	● Black	Black plastic	M2SS1-10B	1SFA611200R1006	1	0.015	
		Chrome plastic	M2SS1-20B	1SFA611200R2006	1	0.015	
		Chrome metal	M2SS1-30B	1SFA611200R3006	1	0.024	
● Grey	Black plastic	M2SS1-10U	1SFA611200R1007	1	0.015		
	Chrome plastic	M2SS1-20U	1SFA611200R2007	1	0.015		
	● Red	Black plastic	M2SS2-10R	1SFA611201R1001	1	0.015	
		Chrome plastic	M2SS2-20R	1SFA611201R2001	1	0.015	
		Chrome metal	M2SS2-30R	1SFA611201R3001	1	0.024	
	● Black	Black plastic	M2SS2-10B	1SFA611201R1006	1	0.015	
		Chrome plastic	M2SS2-20B	1SFA611201R2006	1	0.015	
		Chrome metal	M2SS2-30B	1SFA611201R3006	1	0.024	
	● Grey	Black plastic	M2SS2-10U	1SFA611201R1007	1	0.015	
		Chrome plastic	M2SS2-20U	1SFA611201R2007	1	0.015	
		Chrome metal	M2SS2-30U	1SFA611201R3007	1	0.024	
		● Red	Black plastic	M2SS3-10R	1SFA611202R1001	1	0.015
			Chrome plastic	M2SS3-20R	1SFA611202R2001	1	0.015
			Chrome metal	M2SS3-30R	1SFA611202R3001	1	0.024
● Black		Black plastic	M2SS3-10B	1SFA611202R1006	1	0.015	
		Chrome plastic	M2SS3-20B	1SFA611202R2006	1	0.015	
		Chrome metal	M2SS3-30B	1SFA611202R3006	1	0.024	
● Grey	Black plastic	M2SS3-10U	1SFA611202R1007	1	0.015		
	Chrome plastic	M2SS3-20U	1SFA611202R2007	1	0.015		

Contacts actuated



M2SS
Dimensions (mm, inches)

Modular plastic range

Non-illuminated selector switches–2-position–Long handle



M2SS4-10R



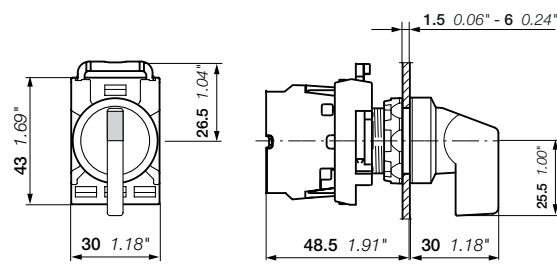
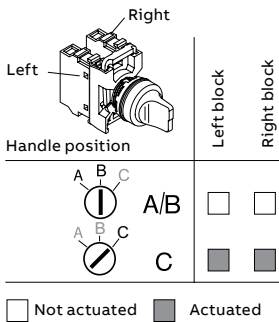
M2SS4-30B



M2SS4-10U

Operating principle	Color	Bezel	Type	Order code	Pkg qty	Weight (1 pce) kg
	● Red	Black plastic	M2SS4-10R	1SFA611203R1001	1	0.018
		Chrome plastic	M2SS4-20R	1SFA611203R2001	1	0.018
	● Black	Black plastic	M2SS4-10B	1SFA611203R1006	1	0.018
		Chrome plastic	M2SS4-20B	1SFA611203R2006	1	0.018
	● Grey	Chrome metal	M2SS4-30B	1SFA611203R3006	1	0.027
		Black plastic	M2SS4-10U	1SFA611203R1007	1	0.018
	● Red	Black plastic	M2SS5-10R	1SFA611204R1001	1	0.018
		Chrome plastic	M2SS5-20R	1SFA611204R2001	1	0.018
		Chrome metal	M2SS5-30R	1SFA611204R3001	1	0.027
	● Black	Black plastic	M2SS5-10B	1SFA611204R1006	1	0.018
		Chrome plastic	M2SS5-20B	1SFA611204R2006	1	0.018
		Chrome metal	M2SS5-30B	1SFA611204R3006	1	0.027
● Grey	Black plastic	M2SS5-10U	1SFA611204R1007	1	0.018	
	Chrome plastic	M2SS5-20U	1SFA611204R2007	1	0.018	
	● Red	Black plastic	M2SS6-10R	1SFA611205R1001	1	0.018
		Black plastic	M2SS6-10B	1SFA611205R1006	1	0.018
		Chrome plastic	M2SS6-20B	1SFA611205R2006	1	0.018
	● Black	Chrome metal	M2SS6-30B	1SFA611205R3006	1	0.027
		Black plastic	M2SS6-10U	1SFA611205R1007	1	0.018
		Chrome plastic	M2SS6-20U	1SFA611205R2007	1	0.018

Contacts actuated



M2SS

Dimensions (mm, inches)

Modular plastic range

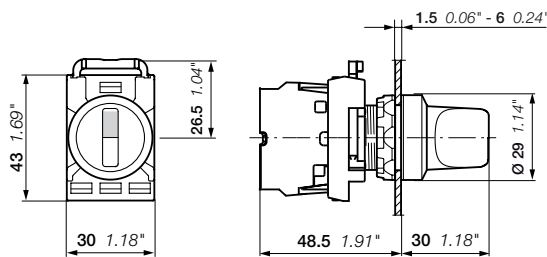
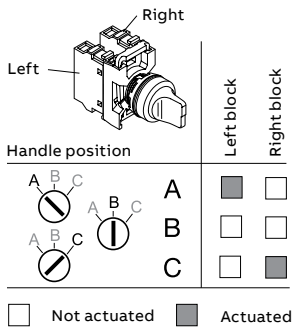
Non-illuminated selector switches–3-position–Short handle

02



Operating principle	Color	Bezel	Type	Order code	Pkg qty	Weight (1 pce) kg
	● Red	Black plastic	M3SS1-10R	1SFA611210R1001	1	0.015
		Chrome plastic	M3SS1-20R	1SFA611210R2001	1	0.015
		Chrome metal	M3SS1-30R	1SFA611210R3001	1	0.024
	● Black	Black plastic	M3SS1-10B	1SFA611210R1006	1	0.015
		Chrome plastic	M3SS1-20B	1SFA611210R2006	1	0.015
		Chrome metal	M3SS1-30B	1SFA611210R3006	1	0.024
	● Grey	Black plastic	M3SS1-10U	1SFA611210R1007	1	0.015
		Chrome plastic	M3SS1-20U	1SFA611210R2007	1	0.015
		Chrome metal	M3SS1-30U	1SFA611210R3007	1	0.024
	● Red	Black plastic	M3SS2-10R	1SFA611211R1001	1	0.015
		Chrome plastic	M3SS2-20R	1SFA611211R2001	1	0.015
		Chrome metal	M3SS2-30R	1SFA611211R3001	1	0.024
	● Black	Black plastic	M3SS2-10B	1SFA611211R1006	1	0.015
		Chrome plastic	M3SS2-20B	1SFA611211R2006	1	0.015
		Chrome metal	M3SS2-30B	1SFA611211R3006	1	0.024
	● Grey	Black plastic	M3SS2-10U	1SFA611211R1007	1	0.015
		Chrome plastic	M3SS2-20U	1SFA611211R2007	1	0.015
		Chrome metal	M3SS2-30U	1SFA611211R3007	1	0.024
	● Red	Black plastic	M3SS3-10R	1SFA611212R1001	1	0.015
		Chrome plastic	M3SS3-20R	1SFA611212R2001	1	0.015
		Chrome metal	M3SS3-30R	1SFA611212R3001	1	0.024
	● Black	Black plastic	M3SS3-10B	1SFA611212R1006	1	0.015
		Chrome plastic	M3SS3-20B	1SFA611212R2006	1	0.015
		Chrome metal	M3SS3-30B	1SFA611212R3006	1	0.024
	● Grey	Black plastic	M3SS3-10U	1SFA611212R1007	1	0.015
		Chrome plastic	M3SS3-20U	1SFA611212R2007	1	0.015
		Chrome metal	M3SS3-30U	1SFA611212R3007	1	0.024
	● Red	Black plastic	M3SS7-10R	1SFA611216R1001	1	0.015
		Chrome plastic	M3SS7-20R	1SFA611216R2001	1	0.015
		Chrome metal	M3SS7-30R	1SFA611216R3001	1	0.024
	● Black	Black plastic	M3SS7-10B	1SFA611216R1006	1	0.015
		Chrome plastic	M3SS7-20B	1SFA611216R2006	1	0.015
		Chrome metal	M3SS7-30B	1SFA611216R3006	1	0.024
	● Grey	Black plastic	M3SS7-10U	1SFA611216R1007	1	0.015
		Chrome plastic	M3SS7-20U	1SFA611216R2007	1	0.015
		Chrome metal	M3SS7-30U	1SFA611216R3007	1	0.024

Contacts actuated



M3SS
Dimensions (mm, inches)

Modular plastic range

Non-illuminated selector switches–3-position–Long handle



M3SS4-10R



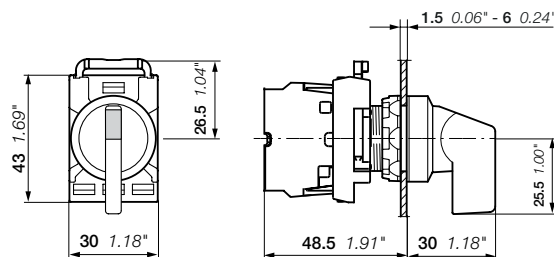
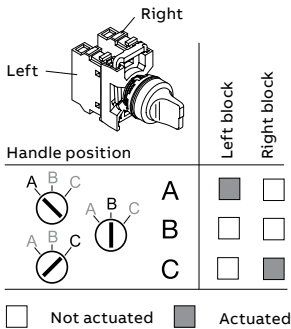
M3SS5-30B



M3SS6-10U

Operating principle	Color	Bezel	Type	Order code	Pkg qty	Weight (1 pce) kg
	● Red	Black plastic	M3SS4-10R	1SFA611213R1001	1	0.018
		Chrome plastic	M3SS4-20R	1SFA611213R2001	1	0.018
	● Black	Black plastic	M3SS4-10B	1SFA611213R1006	1	0.018
		Chrome plastic	M3SS4-20B	1SFA611213R2006	1	0.018
	● Grey	Chrome metal	M3SS4-30B	1SFA611213R3006	1	0.027
		Black plastic	M3SS4-10U	1SFA611213R1007	1	0.018
	● Red	Black plastic	M3SS5-10R	1SFA611214R1001	1	0.018
		Chrome metal	M3SS5-30R	1SFA611214R3001	1	0.018
	● Black	Black plastic	M3SS5-10B	1SFA611214R1006	1	0.018
		Chrome plastic	M3SS5-20B	1SFA611214R2006	1	0.018
	● Grey	Chrome metal	M3SS5-30B	1SFA611214R3006	1	0.027
		Black plastic	M3SS5-10U	1SFA611214R1007	1	0.018
	● Red	Black plastic	M3SS6-10R	1SFA611215R1001	1	0.018
		Black plastic	M3SS6-10B	1SFA611215R1006	1	0.018
	● Black	Chrome plastic	M3SS6-20B	1SFA611215R2006	1	0.018
		Chrome metal	M3SS6-30B	1SFA611215R3006	1	0.027
	● Grey	Black plastic	M3SS6-10U	1SFA611215R1007	1	0.018
			● Red	Black plastic	M3SS8-10R	1SFA611217R1001
Black plastic	M3SS8-10B			1SFA611217R1006	1	0.018
● Black	Chrome plastic		M3SS8-20B	1SFA611217R2006	1	0.018
	Chrome metal		M3SS8-30B	1SFA611217R3006	1	0.027
● Grey	Black plastic	M3SS8-10U	1SFA611217R1007	1	0.018	

Contacts actuated



M3SS

Dimensions (mm, inches)

Modular plastic range

Non-illuminated selector switches–3-position–Short handle

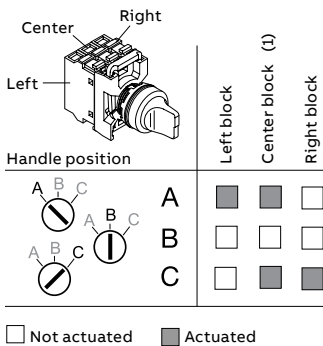
02



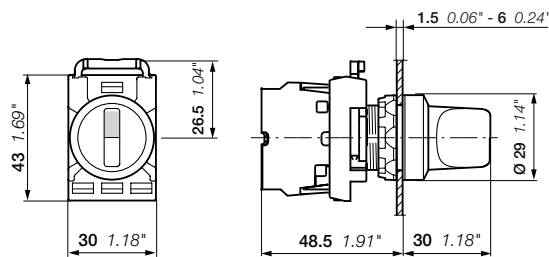
Center block operating

Operating principle	Color	Bezel	Type	Order code	Pkg qty	Weight (1 pce) kg
	● Black	Black plastic	M3SSC1-10B	1SFA611250R1006	1	0.015
		Chrome metal	M3SSC1-30B	1SFA611250R3006	1	0.024
	● Black	Black plastic	M3SSC2-10B	1SFA611251R1006	1	0.015
		Chrome metal	M3SSC2-30B	1SFA611251R3006	1	0.024
	● Black	Black plastic	M3SSC3-10B	1SFA611252R1006	1	0.015
		Chrome metal	M3SSC3-30B	1SFA611252R3006	1	0.024
	● Black	Black plastic	M3SSC7-10B	1SFA611256R1006	1	0.015
		Chrome metal	M3SSC7-30B	1SFA611256R3006	1	0.024

Contacts actuated



(1) To connect 3 separate circuits, one to each position ABC, use 1 NO in left position and right position and 1 NC in center position.



M3SSC
Dimensions (mm, inches)

Modular range

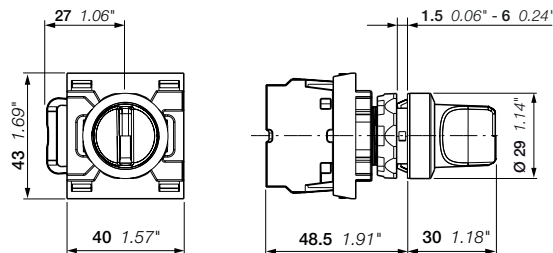
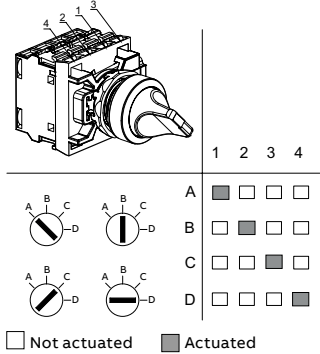
Non-illuminated selector switches–4-position



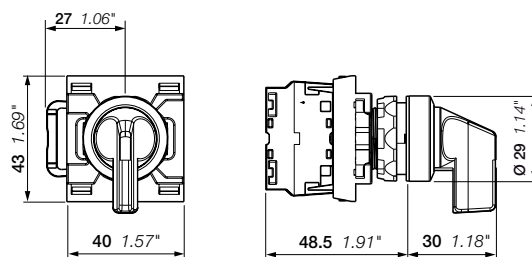
4 position holder included. Contact blocks need to order separately.

Operating principle	Color	Bezel	Type	Order code	Pkg qty	Weight (1 pce) kg
Short handle						
● Red	Black plastic	M4SS1-10R	1SFA611290R4001	1	0.027	
	Chrome metal	M4SS1-30R	1SFA611290R6001	1	0.036	
● Black	Black plastic	M4SS1-10B	1SFA611290R4006	1	0.027	
	Chrome metal	M4SS1-30B	1SFA611290R6006	1	0.036	
Long handle						
● Red	Black plastic	M4SS2-10R	1SFA611291R4001	1	0.030	
	Chrome metal	M4SS2-30R	1SFA611291R6001	1	0.039	
● Black	Black plastic	M4SS2-10B	1SFA611291R4006	1	0.030	
	Chrome metal	M4SS2-30B	1SFA611291R6006	1	0.039	

Contacts actuated



M4SS Short handle



M4SS Long handle

Dimensions (mm, inches)

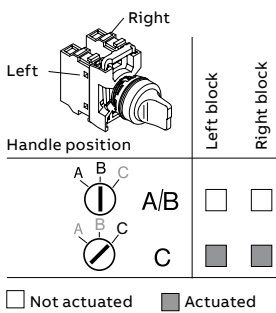
Modular plastic range



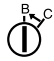
Illuminated selector switches–2-position–Short handle

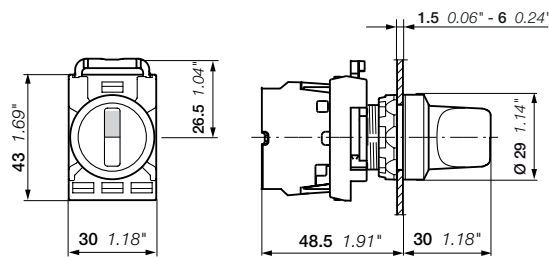
02



Contacts actuated



Operating principle	Color	Bezel	Type	Order code	Pkg qty	Weight (1 pce) kg
	● Red	Black plastic	M2SS1-11R	1SFA611200R1101	1	0.015
		Chrome plastic	M2SS1-21R	1SFA611200R2101	1	0.015
		Chrome metal	M2SS1-31R	1SFA611200R3101	1	0.024
	● Green	Black plastic	M2SS1-11G	1SFA611200R1102	1	0.015
		Chrome plastic	M2SS1-21G	1SFA611200R2102	1	0.015
		Chrome metal	M2SS1-31G	1SFA611200R3102	1	0.024
	● Yellow	Black plastic	M2SS1-11Y	1SFA611200R1103	1	0.015
		Chrome plastic	M2SS1-21Y	1SFA611200R2103	1	0.015
		Chrome metal	M2SS1-31Y	1SFA611200R3103	1	0.024
	● Blue	Black plastic	M2SS1-11L	1SFA611200R1104	1	0.015
		Chrome plastic	M2SS1-21L	1SFA611200R2104	1	0.015
		Chrome metal	M2SS1-31L	1SFA611200R3104	1	0.024
○ Clear	Black plastic	M2SS1-11C	1SFA611200R1108	1	0.015	
	Chrome plastic	M2SS1-21C	1SFA611200R2108	1	0.015	
	Chrome metal	M2SS1-31C	1SFA611200R3108	1	0.024	
	● Red	Black plastic	M2SS2-11R	1SFA611201R1101	1	0.015
		Chrome plastic	M2SS2-21R	1SFA611201R2101	1	0.015
		Chrome metal	M2SS2-31R	1SFA611201R3101	1	0.024
	● Green	Black plastic	M2SS2-11G	1SFA611201R1102	1	0.015
		Chrome plastic	M2SS2-21G	1SFA611201R2102	1	0.015
		Chrome metal	M2SS2-31G	1SFA611201R3102	1	0.024
	● Yellow	Black plastic	M2SS2-11Y	1SFA611201R1103	1	0.015
		Chrome plastic	M2SS2-21Y	1SFA611201R2103	1	0.015
		Chrome metal	M2SS2-31Y	1SFA611201R3103	1	0.024
	● Blue	Black plastic	M2SS2-11L	1SFA611201R1104	1	0.015
		Chrome plastic	M2SS2-21L	1SFA611201R2104	1	0.015
		Chrome metal	M2SS2-31L	1SFA611201R3104	1	0.024
○ Clear	Black plastic	M2SS2-11C	1SFA611201R1108	1	0.015	
	Chrome plastic	M2SS2-21C	1SFA611201R2108	1	0.015	
	Chrome metal	M2SS2-31C	1SFA611201R3108	1	0.024	
	● Red	Black plastic	M2SS3-11R	1SFA611202R1101	1	0.015
		Chrome plastic	M2SS3-21R	1SFA611202R2101	1	0.015
		Chrome metal	M2SS3-31R	1SFA611202R3101	1	0.024
	● Green	Black plastic	M2SS3-11G	1SFA611202R1102	1	0.015
		Chrome plastic	M2SS3-21G	1SFA611202R2102	1	0.015
		Chrome metal	M2SS3-31G	1SFA611202R3102	1	0.024
	● Yellow	Black plastic	M2SS3-11Y	1SFA611202R1103	1	0.015
		Chrome plastic	M2SS3-21Y	1SFA611202R2103	1	0.015
		Chrome metal	M2SS3-31Y	1SFA611202R3103	1	0.024
	● Blue	Black plastic	M2SS3-11L	1SFA611202R1104	1	0.015
		Chrome plastic	M2SS3-21L	1SFA611202R2104	1	0.015
		Chrome metal	M2SS3-31L	1SFA611202R3104	1	0.024
○ Clear	Black plastic	M2SS3-11C	1SFA611202R1108	1	0.015	
	Chrome metal	M2SS3-31C	1SFA611202R3108	1	0.024	



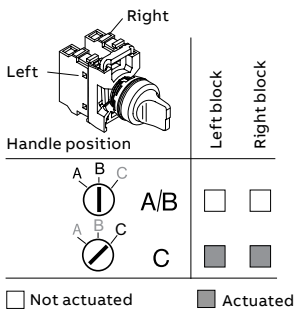
M2SS
Dimensions (mm, inches)

Modular plastic range

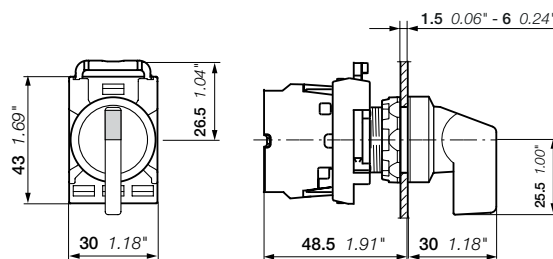
Illuminated selector switches–2-position–Long handle



Contacts actuated



Operating principle	Color	Bezel	Type	Order code	Pkg qty	Weight (1 pce) kg	
	Red	Black plastic	M2SS4-11R	1SFA611203R1101	1	0.018	
		Chrome plastic	M2SS4-21R	1SFA611203R2101	1	0.018	
	Green	Black plastic	M2SS4-11G	1SFA611203R1102	1	0.018	
		Chrome plastic	M2SS4-21G	1SFA611203R2102	1	0.018	
	Yellow	Black plastic	M2SS4-11Y	1SFA611203R1103	1	0.018	
		Chrome plastic	M2SS4-21Y	1SFA611203R2103	1	0.018	
	Blue	Black plastic	M2SS4-11L	1SFA611203R1104	1	0.018	
		Chrome plastic	M2SS4-21L	1SFA611203R2104	1	0.018	
	Clear	Black plastic	M2SS4-11C	1SFA611203R1108	1	0.018	
		Chrome plastic	M2SS4-21C	1SFA611203R2108	1	0.018	
		Chrome metal	M2SS4-31C	1SFA611203R3108	1	0.027	
		Red	Black plastic	M2SS5-11R	1SFA611204R1101	1	0.018
Chrome plastic			M2SS5-21R	1SFA611204R2101	1	0.018	
Chrome metal			M2SS5-31R	1SFA611204R3101	1	0.027	
Green		Black plastic	M2SS5-11G	1SFA611204R1102	1	0.018	
		Chrome plastic	M2SS5-21G	1SFA611204R2102	1	0.018	
		Chrome metal	M2SS5-31G	1SFA611204R3102	1	0.027	
Yellow		Black plastic	M2SS5-11Y	1SFA611204R1103	1	0.018	
		Chrome plastic	M2SS5-21Y	1SFA611204R2103	1	0.018	
		Chrome metal	M2SS5-31Y	1SFA611204R3103	1	0.027	
Blue		Black plastic	M2SS5-11L	1SFA611204R1104	1	0.018	
		Chrome plastic	M2SS5-21L	1SFA611204R2104	1	0.018	
		Chrome metal	M2SS5-31L	1SFA611204R3104	1	0.027	
Clear		Black plastic	M2SS5-11C	1SFA611204R1108	1	0.018	
		Chrome plastic	M2SS5-21C	1SFA611204R2108	1	0.018	
		Chrome metal	M2SS5-31C	1SFA611204R3108	1	0.027	
		Red	Black plastic	M2SS6-11R	1SFA611205R1101	1	0.018
			Chrome plastic	M2SS6-21R	1SFA611205R2101	1	0.018
		Green	Black plastic	M2SS6-11G	1SFA611205R1102	1	0.018
	Chrome plastic		M2SS6-21G	1SFA611205R2102	1	0.018	
	Blue	Black plastic	M2SS6-11L	1SFA611205R1104	1	0.018	
		Chrome plastic	M2SS6-21L	1SFA611205R2104	1	0.018	
Clear	Black plastic	M2SS6-11C	1SFA611205R1108	1	0.018		
	Chrome metal	M2SS6-31C	1SFA611205R3108	1	0.027		



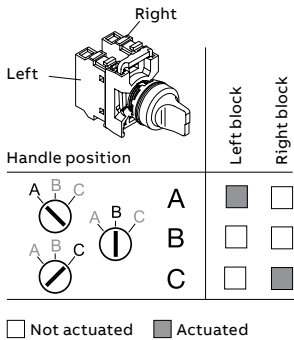
Modular plastic range

Illuminated selector switches–3-position–Short handle

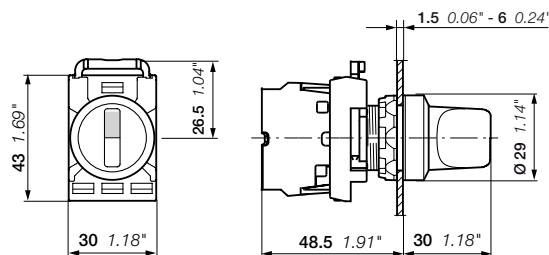
02



Contacts actuated



Operating principle	Color	Bezel	Type	Order code	Pkg qty	Weight (1 pce) kg
	● Red	Black plastic	M3SS1-11R	1SFA611210R1101	1	0.015
		Chrome plastic	M3SS1-21R	1SFA611210R2101	1	0.015
		Chrome metal	M3SS1-31R	1SFA611210R3101	1	0.024
	● Green	Black plastic	M3SS1-11G	1SFA611210R1102	1	0.015
		Chrome plastic	M3SS1-21G	1SFA611210R2102	1	0.015
		Chrome metal	M3SS1-31G	1SFA611210R3102	1	0.024
	● Yellow	Black plastic	M3SS1-11Y	1SFA611210R1103	1	0.015
		Chrome plastic	M3SS1-21Y	1SFA611210R2103	1	0.015
		Chrome metal	M3SS1-31Y	1SFA611210R3103	1	0.024
● Blue	Black plastic	M3SS1-11L	1SFA611210R1104	1	0.015	
	Chrome plastic	M3SS1-21L	1SFA611210R2104	1	0.015	
	Chrome metal	M3SS1-31L	1SFA611210R3104	1	0.024	
○ Clear	Black plastic	M3SS1-11C	1SFA611210R1108	1	0.015	
	Chrome plastic	M3SS1-21C	1SFA611210R2108	1	0.015	
	Chrome metal	M3SS1-31C	1SFA611210R3108	1	0.024	
	● Red	Black plastic	M3SS2-11R	1SFA611211R1101	1	0.015
		Chrome plastic	M3SS2-21R	1SFA611211R2101	1	0.015
		Chrome metal	M3SS2-31R	1SFA611211R3101	1	0.024
	● Green	Black plastic	M3SS2-11G	1SFA611211R1102	1	0.015
		Chrome plastic	M3SS2-21G	1SFA611211R2102	1	0.015
		Chrome metal	M3SS2-31G	1SFA611211R3102	1	0.024
	● Yellow	Black plastic	M3SS2-11Y	1SFA611211R1103	1	0.015
		Chrome plastic	M3SS2-21Y	1SFA611211R2103	1	0.015
		Chrome metal	M3SS2-31Y	1SFA611211R3103	1	0.024
● Blue	Black plastic	M3SS2-11L	1SFA611211R1104	1	0.015	
	Chrome plastic	M3SS2-21L	1SFA611211R2104	1	0.015	
	Chrome metal	M3SS2-31L	1SFA611211R3104	1	0.024	
○ Clear	Black plastic	M3SS2-11C	1SFA611211R1108	1	0.015	
	Chrome plastic	M3SS2-21C	1SFA611211R2108	1	0.015	
	Chrome metal	M3SS2-31C	1SFA611211R3108	1	0.024	
	● Red	Black plastic	M3SS3-11R	1SFA611212R1101	1	0.015
		Chrome plastic	M3SS3-21R	1SFA611212R2101	1	0.015
		Chrome metal	M3SS3-31R	1SFA611212R3101	1	0.024
	● Green	Black plastic	M3SS3-11G	1SFA611212R1102	1	0.015
		Chrome plastic	M3SS3-21G	1SFA611212R2102	1	0.015
		Chrome metal	M3SS3-31G	1SFA611212R3102	1	0.024
	● Yellow	Black plastic	M3SS3-11Y	1SFA611212R1103	1	0.015
		Chrome plastic	M3SS3-21Y	1SFA611212R2103	1	0.015
		Chrome metal	M3SS3-31Y	1SFA611212R3103	1	0.024
● Blue	Black plastic	M3SS3-11L	1SFA611212R1104	1	0.015	
	Chrome plastic	M3SS3-21L	1SFA611212R2104	1	0.015	
	Chrome metal	M3SS3-31L	1SFA611212R3104	1	0.024	
○ Clear	Black plastic	M3SS3-11C	1SFA611212R1108	1	0.015	
	Chrome plastic	M3SS3-21C	1SFA611212R2108	1	0.015	
	Chrome metal	M3SS3-31C	1SFA611212R3108	1	0.024	
	● Red	Black plastic	M3SS7-11R	1SFA611216R1101	1	0.015
		Chrome plastic	M3SS7-21G	1SFA611216R2102	1	0.015
		Chrome metal	M3SS7-31G	1SFA611216R3102	1	0.024
	● Yellow	Black plastic	M3SS7-11Y	1SFA611216R1103	1	0.015
		Chrome plastic	M3SS7-21L	1SFA611216R2104	1	0.015
		Chrome metal	M3SS7-31G	1SFA611216R3102	1	0.024
	● Blue	Black plastic	M3SS7-11L	1SFA611216R1104	1	0.015
		Chrome plastic	M3SS7-21L	1SFA611216R2104	1	0.015
		Chrome metal	M3SS7-31G	1SFA611216R3102	1	0.024
○ Clear	Black plastic	M3SS7-11C	1SFA611216R1108	1	0.015	
	Chrome plastic	M3SS7-21C	1SFA611216R2108	1	0.015	
	Chrome metal	M3SS7-31C	1SFA611216R3108	1	0.024	



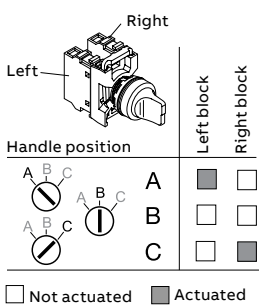
M3SS
Dimensions (mm, inches)

Modular plastic range

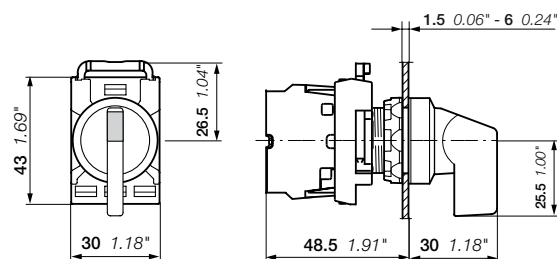
Illuminated selector switches–3-position–Long handle



Contacts actuated



Operating principle	Color	Bezel	Type	Order code	Pkg qty	Weight (1 pce) kg
	● Red	Black plastic	M3SS4-11R	1SFA611213R1101	1	0.018
		Chrome plastic	M3SS4-21R	1SFA611213R2101	1	0.018
		Chrome metal	M3SS4-31R	1SFA611213R3101	1	0.027
	● Green	Black plastic	M3SS4-11G	1SFA611213R1102	1	0.018
		Chrome plastic	M3SS4-21G	1SFA611213R2102	1	0.018
	● Yellow	Black plastic	M3SS4-11Y	1SFA611213R1103	1	0.018
		Chrome plastic	M3SS4-21Y	1SFA611213R2103	1	0.018
	● Blue	Black plastic	M3SS4-11L	1SFA611213R1104	1	0.018
		Chrome plastic	M3SS4-21L	1SFA611213R2104	1	0.018
○ Clear	Black plastic	M3SS4-11C	1SFA611213R1108	1	0.018	
	Chrome plastic	M3SS4-21C	1SFA611213R2108	1	0.018	
	Chrome metal	M3SS4-31C	1SFA611213R3108	1	0.027	
	● Red	Black plastic	M3SS5-11R	1SFA611214R1101	1	0.018
		Chrome plastic	M3SS5-21R	1SFA611214R2101	1	0.018
		Chrome metal	M3SS5-31G	1SFA611214R3102	1	0.027
	● Green	Black plastic	M3SS5-11G	1SFA611214R1102	1	0.018
		Chrome plastic	M3SS5-21G	1SFA611214R2102	1	0.018
	● Yellow	Black plastic	M3SS5-11Y	1SFA611214R1103	1	0.018
		Chrome plastic	M3SS5-21Y	1SFA611214R2103	1	0.018
	● Blue	Black plastic	M3SS5-11L	1SFA611214R1104	1	0.018
		Chrome plastic	M3SS5-21L	1SFA611214R2104	1	0.018
○ Clear	Black plastic	M3SS5-11C	1SFA611214R1108	1	0.018	
	Chrome plastic	M3SS5-21C	1SFA611214R2108	1	0.018	
	Chrome metal	M3SS5-31C	1SFA611214R3108	1	0.027	
	● Red	Black plastic	M3SS6-11R	1SFA611215R1101	1	0.018
		Chrome plastic	M3SS6-21G	1SFA611215R2102	1	0.018
		Chrome metal	M3SS6-31G	1SFA611215R3102	1	0.027
	● Green	Black plastic	M3SS6-11G	1SFA611215R1102	1	0.018
		Chrome plastic	M3SS6-21G	1SFA611215R2102	1	0.018
	● Yellow	Black plastic	M3SS6-11Y	1SFA611215R1103	1	0.018
		Chrome plastic	M3SS6-21Y	1SFA611215R2103	1	0.018
	● Blue	Black plastic	M3SS6-11L	1SFA611215R1104	1	0.018
		Chrome metal	M3SS6-31L	1SFA611215R3104	1	0.027
○ Clear	Black plastic	M3SS6-11C	1SFA611215R1108	1	0.018	
	Chrome plastic	M3SS8-21R	1SFA611217R2101	1	0.018	
	Chrome metal	M3SS8-31R	1SFA611217R3101	1	0.027	
● Green	Black plastic	M3SS8-11G	1SFA611217R1102	1	0.018	
	Chrome plastic	M3SS8-21G	1SFA611217R2102	1	0.018	
● Yellow	Black plastic	M3SS8-11Y	1SFA611217R1103	1	0.018	
	Chrome metal	M3SS8-31G	1SFA611217R3102	1	0.027	
● Blue	Black plastic	M3SS8-11L	1SFA611217R1104	1	0.018	
	Black plastic	M3SS8-11C	1SFA611217R1108	1	0.018	



M3SS
Dimensions (mm, inches)

Modular plastic range

Key-operated selector switches–2-position

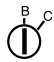
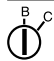
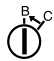

02



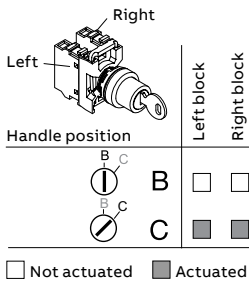
M2SSK1-101

Description

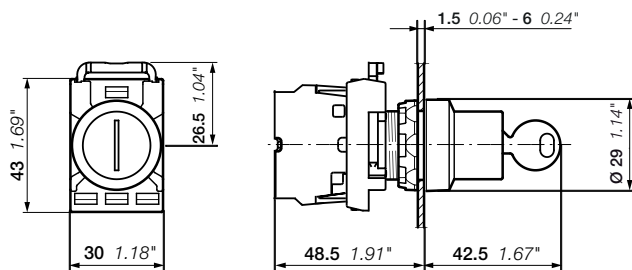
Key-operated selector switches are delivered in black color.

Operating principle	Key	Bezel	Type	Order code	Pkg qty	Weight (1 pce) kg	
 Key can be removed in both positions	Key code 455	Black plastic	M2SSK1-101	1SFA611280R1001	1	0.045	
		Chrome plastic	M2SSK1-201	1SFA611280R2001	1	0.045	
		Chrome metal	M2SSK1-301	1SFA611280R3001	1	0.054	
	Key code 421	Black plastic	M2SSK1-102	1SFA611280R1002	1	0.045	
		Chrome metal	M2SSK1-302	1SFA611280R3002	1	0.054	
		Key code 3433-E	Black plastic	M2SSK1-103	1SFA611280R1003	1	0.045
	Random selection (1)	Black plastic	M2SSK1-104	1SFA611280R1004	25	0.045	
		Chrome metal	M2SSK1-304	1SFA611280R3004	25	0.054	
	 Key can be removed in B position only	Key code 455	Black plastic	M2SSK2-101	1SFA611281R1001	1	0.045
			Chrome plastic	M2SSK2-201	1SFA611281R2001	1	0.045
Chrome metal			M2SSK2-301	1SFA611281R3001	1	0.054	
Key code 421		Black plastic	M2SSK2-102	1SFA611281R1002	1	0.045	
		Chrome metal	M2SSK2-302	1SFA611281R3002	1	0.054	
		Key code 3433-E	Black plastic	M2SSK2-103	1SFA611281R1003	1	0.045
Random selection (1)		Black plastic	M2SSK2-104	1SFA611281R1004	25	0.045	
		Chrome metal	M2SSK2-304	1SFA611281R3004	25	0.054	
 Key can be removed in position B only		Key code 455	Black plastic	M2SSK3-101	1SFA611282R1001	1	0.045
			Chrome metal	M2SSK3-301	1SFA611282R3001	1	0.054
	Key code 421	Black plastic	M2SSK3-102	1SFA611282R1002	1	0.045	
		Chrome metal	M2SSK3-302	1SFA611282R3002	1	0.054	
	Key code 3433-E	Black plastic	M2SSK3-103	1SFA611282R1003	1	0.045	
		Chrome metal	M2SSK3-303	1SFA611282R3003	1	0.054	
	Random selection (1)	Black plastic	M2SSK3-104	1SFA611282R1004	25	0.045	
		Chrome metal	M2SSK3-304	1SFA611282R3004	25	0.054	
	 Key can be removed in A only	Key code 455	Black plastic	M2SSK4-101	1SFA611289R1001	1	0.045

Contacts actuated



(1) The order code includes 25 keys operated selector switches. Each selector switch includes unique key code. Key codes 455, 421 and 3433-E not included.



M2SSK
Dimensions (mm, inches)





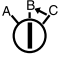
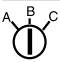
Modular plastic range

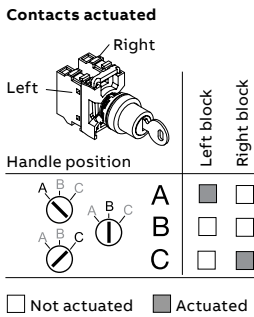
Key-operated selector switches–3-position



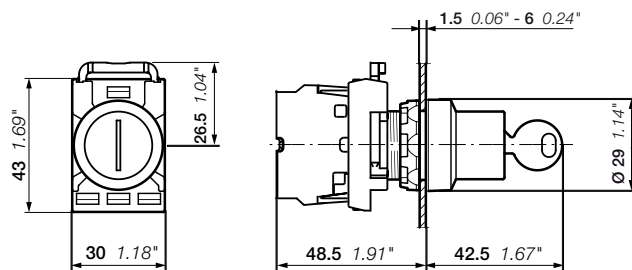
Description

Key-operated selector switches are delivered in black color.

Operating principle	key	Bezel	Type	Order code	Pkg qty (1 pce)	Weight kg
 Key can be removed in all positions	Key code 455	Black plastic	M3SSK1-101	1SFA611283R1001	1	0.045
		Chrome plastic	M3SSK1-201	1SFA611283R2001	1	0.045
	Key code 421	Black plastic	M3SSK1-102	1SFA611283R1002	1	0.045
		Chrome metal	M3SSK1-302	1SFA611283R3002	1	0.054
	Key code 3433-E	Black plastic	M3SSK1-103	1SFA611283R1003	1	0.045
		Chrome metal	M3SSK1-303	1SFA611283R3003	1	0.054
Random selection (1)	Black plastic	M3SSK1-104	1SFA611283R1004	25	0.045	
	Chrome metal	M3SSK1-304	1SFA611283R3004	25	0.054	
 Key can be removed in position B only	Key code 455	Black plastic	M3SSK2-101	1SFA611284R1001	1	0.045
		Chrome metal	M3SSK2-301	1SFA611284R3001	1	0.054
	Key code 421	Black plastic	M3SSK2-102	1SFA611284R1002	1	0.045
		Chrome metal	M3SSK2-302	1SFA611284R3002	1	0.054
Key code 3433-E	Black plastic	M3SSK2-103	1SFA611284R1003	1	0.045	
	Chrome metal	M3SSK2-303	1SFA611284R3003	1	0.054	
Random selection (1)	Black plastic	M3SSK2-104	1SFA611284R1004	25	0.045	
	Chrome metal	M3SSK2-304	1SFA611284R3004	25	0.054	
 Key can be removed in position B only	Key code 455	Black plastic	M3SSK3-101	1SFA611285R1001	1	0.045
		Chrome metal	M3SSK3-301	1SFA611285R3001	1	0.054
	Key code 421	Black plastic	M3SSK3-102	1SFA611285R1002	1	0.045
		Chrome metal	M3SSK3-302	1SFA611285R3002	1	0.054
Key code 3433-E	Black plastic	M3SSK3-103	1SFA611285R1003	1	0.045	
	Chrome metal	M3SSK3-303	1SFA611285R3003	1	0.054	
Random selection (1)	Black plastic	M3SSK3-104	1SFA611285R1004	25	0.045	
	Chrome metal	M3SSK3-304	1SFA611285R3004	25	0.054	
 Key can be removed in position A only	Key code 455	Black plastic	M3SSK4-101	1SFA611286R1001	1	0.045
		Chrome metal	M3SSK4-301	1SFA611286R3001	1	0.054
	Key code 421	Black plastic	M3SSK4-102	1SFA611286R1002	1	0.045
		Chrome metal	M3SSK4-302	1SFA611286R3002	1	0.054
Key code 3433-E	Black plastic	M3SSK4-103	1SFA611286R1003	1	0.045	
	Chrome metal	M3SSK4-303	1SFA611286R3003	1	0.054	
Random selection (1)	Black plastic	M3SSK4-104	1SFA611286R1004	25	0.045	
	Chrome metal	M3SSK4-304	1SFA611286R3004	25	0.054	
 Key can be removed in all positions	Key code 455	Black plastic	M3SSK5-101	1SFA611287R1001	1	0.045
		Chrome metal	M3SSK5-301	1SFA611287R3001	1	0.054
	Key code 3433-E	Black plastic	M3SSK5-103	1SFA611287R1003	1	0.045
 Key can be removed in A only	Key code 455	Black plastic	M3SSK6-101	1SFA611288R1001	1	0.045
		Chrome metal	M3SSK6-301	1SFA611288R3001	1	0.054



(1) The order code includes 25 key operated selector switches. Each selector switch includes unique key code. Key codes 455, 421 and 3433-E not included.



M3SSK
Dimensions (mm, inches)

Modular plastic range

Potentiometers



MT-110B

1SFC151B55W0001

Description

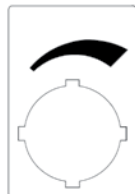
Black knob with integrated position indication and marking in white.

Bezel	Type	Order code	Pkg qty	Weight (1 pce) kg	
Knob with resistor 5 kΩ					
Black plastic	MT-105B	1SFA611410R1056	1	0.040	
Chrome plastic	MT-205B	1SFA611410R2056	1	0.040	
Chrome metal	MT-305B	1SFA611410R3056	1	0.049	
Knob with resistor 10 kΩ					
Black plastic	MT-110B	1SFA611410R1106	1	0.040	
Chrome plastic	MT-210B	1SFA611410R2106	1	0.040	
Chrome metal	MT-310B	1SFA611410R3106	1	0.048	
Knob with resistor 50 kΩ					
Black plastic	MT-150B	1SFA611410R1506	1	0.040	
Chrome plastic	MT-250B	1SFA611410R2506	1	0.040	
Chrome metal	MT-350B	1SFA611410R3506	1	0.049	
Knob without resistor (1)					
Black plastic	MT-1B	1SFA611410R1006	10	0.022	
Chrome metal	MT-3B	1SFA611410R3006	10	0.030	
Legend plates aluminum					
29.6 x 44.5 mm	Ø 22 mm	–	SK615562-87	10	0.002
48.5 x 44.5 mm, scale: 0-10	Ø 22 mm	–	SK615562-88	10	0.002
48.5 x 44.5 mm, scale: 0-50	Ø 22 mm	MA6-1252	1SFA611930R1252	10	0.002

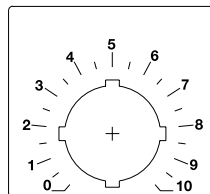
(1) Knob without resistor: for shaft diameter 6-6.35 mm. Min. shaft length 20 mm.



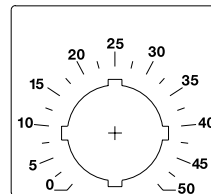
MA6-1252



SK615562-87



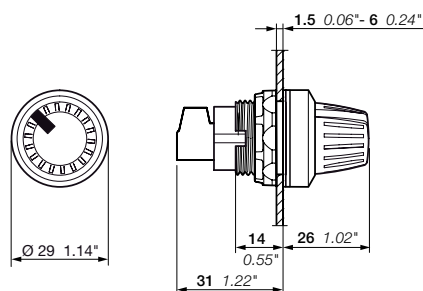
SK615562-88



MA6-1252

Technical data

Power rating	2 W
Mechanical angle	280°
Insulation voltage	900 V
Operating temperature	-1 ... + 70° C
Resistance tolerance	± 10 ohm
Mechanical life	20 000 operations



MT

Dimensions (mm, inches)

Modular plastic range

Reset pushbuttons



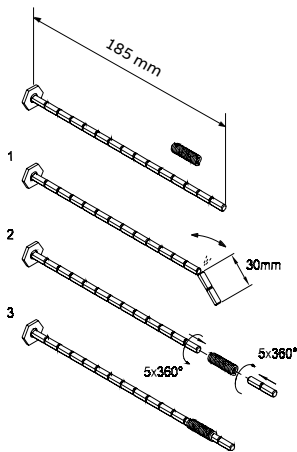
KPR1-100G



KPR1-101L



KPR1-104B



KA1-8046



KA1-8047

Description

Reset pushbuttons are momentary and include only black plastic bezel.

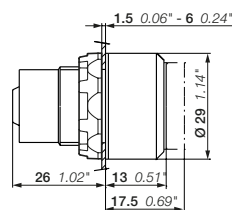
Color	Text	Type	Order code	Pkg qty	Weight (1 pce) kg
Flush reset pushbutton					
● Red	No text	KPR1-100R	1SFA616160R1001	10	0.020
● Green	No text	KPR1-100G	1SFA616160R1002	10	0.020
	I	KPR1-102G	1SFA616160R1022	10	0.020
● Yellow	No text	KPR1-100Y	1SFA616160R1003	10	0.020
● Blue	No text	KPR1-100L	1SFA616160R1004	10	0.020
	R	KPR1-101L	1SFA616160R1014	10	0.020
○ White	No text	KPR1-100W	1SFA616160R1005	10	0.020
	R	KPR1-101W	1SFA616160R1015	10	0.020
	I	KPR1-102W	1SFA616160R1025	10	0.020
	II	KPR1-103W	1SFA616160R1035	10	0.020
● Black	No text	KPR1-100B	1SFA616160R1006	10	0.020
	RESET	KPR1-104B	1SFA616160R1046	10	0.020

Extended reset pushbutton

● Red	No text	KPR2-100R	1SFA616161R1001	10	0.021
	O	KPR2-105R	1SFA616161R1051	10	0.021
● Black	No text	KPR2-100B	1SFA616161R1006	10	0.021

Accessories

	Type	Order code	Pkg qty	Weight (1 pce) kg
Shaft	KA1-8046	1SFA616920R8046	10	0.007
Flexible joint	KA1-8047	1SFA616920R8047	10	0.005



KPR1, KPR2

Dimensions (mm, inches)

Modular plastic range

Reset pushbuttons with shaft



KPR3-100R

15FC15125V0001



KPR3-104B

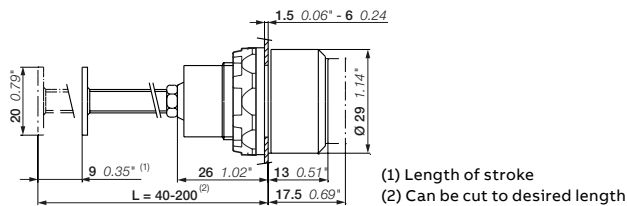
15FC15122V0001

Description

Reset pushbuttons are momentary and include only black plastic bezel.

Color	Text	Type	Order code	Pkg qty	Weight (1 pce) kg
Flush reset pushbutton					
● Red	No text	KPR3-100R	1SFA616162R1001	1	0.027
● Green	No text	KPR3-100G	1SFA616162R1002	1	0.027
	II	KPR3-103G	1SFA616162R1032	1	0.027
● Yellow	No text	KPR3-100Y	1SFA616162R1003	1	0.027
● Blue	No text	KPR3-100L	1SFA616162R1004	1	0.027
	R	KPR3-101L	1SFA616162R1014	1	0.027
○ White	No text	KPR3-100W	1SFA616162R1005	1	0.027
	R	KPR3-101W	1SFA616162R1015	1	0.027
● Black	No text	KPR3-100B	1SFA616162R1006	1	0.027
	RESET	KPR3-104B	1SFA616162R1046	1	0.027
Extended reset pushbutton					
● Red	No text	KPR4-100R	1SFA616163R1001	1	0.028
	O	KPR4-105R	1SFA616163R1051	1	0.028
● Black	No text	KPR4-100B	1SFA616163R1006	1	0.028
	O	KPR4-105B	1SFA616163R1056	1	0.028

Note: Flexible joint not included.



KPR3, KPR4

Dimensions (mm, inches)

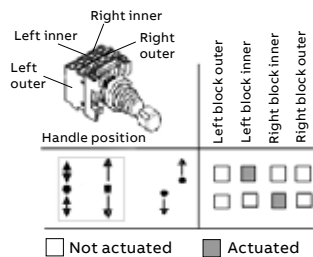
Modular plastic range

Joysticks

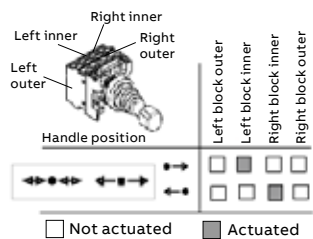


MJS1-60B

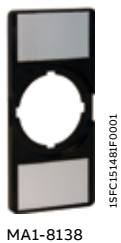
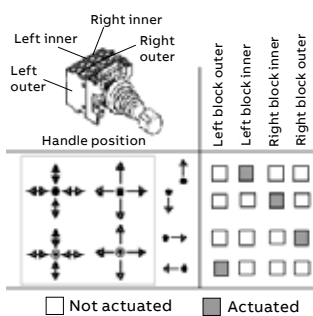
Contacts actuated



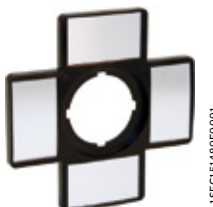
Contacts actuated



Contacts actuated



MA1-8138



MA1-8137

Description

IP protection degree : IP66, IP67 and IP69K. 4-position holder included.

Position	Bezel	Type	Order code	Pkg qty	Weight (1 pce) kg
↑ ↓	Black plastic	MJS1-40B	1SFA611701R4006	1	0.043
	Chrome metal	MJS1-60B	1SFA611701R6006	1	0.052
↑ ↓ ↔	Black plastic	MJS2-40B	1SFA611702R4006	1	0.043
	Chrome metal	MJS2-60B	1SFA611702R6006	1	0.052
↔	Black plastic	MJS3-40B	1SFA611703R4006	1	0.043
	Chrome metal	MJS3-60B	1SFA611703R6006	1	0.052
↔ ↕	Black plastic	MJS4-40B	1SFA611704R4006	1	0.043
	Chrome metal	MJS4-60B	1SFA611704R6006	1	0.052
↕	Black plastic	MJS5-40B	1SFA611705R4006	1	0.043
	Chrome metal	MJS5-60B	1SFA611705R6006	1	0.052
↕ ↔	Black plastic	MJS6-40B	1SFA611706R4006	1	0.043
	Chrome metal	MJS6-60B	1SFA611706R6006	1	0.052

With latching function

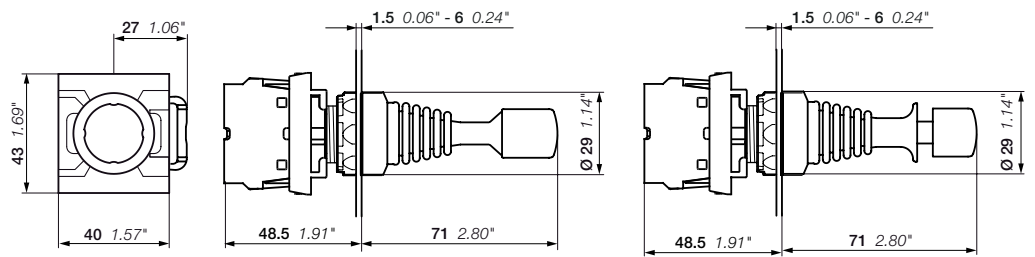
↑ ↓	Black plastic	MJS7-40B	1SFA611707R4006	1	0.043
	Chrome metal	MJS7-60B	1SFA611707R6006	1	0.052
↑ ↓ ↔	Black plastic	MJS9-40B	1SFA611709R4006	1	0.043
	Chrome metal	MJS9-60B	1SFA611709R6006	1	0.052
↔	Black plastic	MJS8-40B	1SFA611708R4006	1	0.043
	Chrome metal	MJS8-60B	1SFA611708R6006	1	0.052
↔ ↕	Black plastic	MJS10-60B	1SFA611710R6006	1	0.052
	Chrome metal	MJS10-40B	1SFA611711R4006	1	0.043
↕	Black plastic	MJS11-40B	1SFA611711R4006	1	0.043
	Chrome metal	MJS11-60B	1SFA611711R6006	1	0.052
↕ ↔	Black plastic	MJS12-40B	1SFA611712R4006	1	0.043
	Chrome metal	MJS12-60B	1SFA611712R6006	1	0.052

Accessories

Type	Order code	Pkg qty	Weight (1 pce) kg
Legend plates, 66 x 59 aluminum laminate with adhesive back			
2-position–Up–Down	MA6-1240 1SFA611930R1240	10	0.004
2-position–Left–Right	MA6-1241 1SFA611930R1241	10	0.004
4-position Up–down–right–left	MA6-1242 1SFA611930R1242	10	0.004

Legend plates holder (inserts not included, suitable for insert size 27x15)

2-position	MA1-8138 1SFA611920R8138	10	0.002
4-position	MA1-8137 1SFA611920R8137	10	0.003



MJS Dimensions (mm, inches)

Modular plastic range

Toggle switches

02



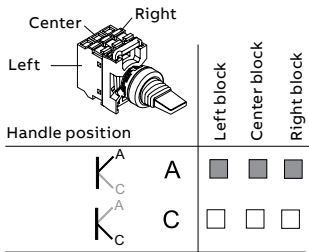
MTS1-10B



MTS1-30B

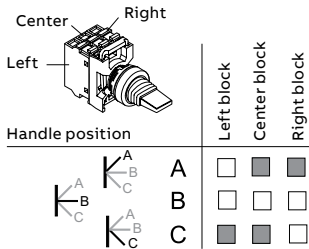
Operating principle	Bezel	Type	Order code	Pkg qty	Weight (1 pce) kg
2-position					
	Black plastic	MTS1-10B	1SFA611300R1006	10	0.014
	Chrome plastic	MTS1-20B	1SFA611300R2006	10	0.014
	Chrome metal	MTS1-30B	1SFA611300R3006	10	0.023
3-position					
	Black plastic	MTS3-10B	1SFA611302R1006	10	0.014
	Chrome plastic	MTS3-20B	1SFA611302R2006	10	0.014
	Chrome metal	MTS3-30B	1SFA611302R3006	10	0.023
	Black plastic	MTS2-10B	1SFA611301R1006	10	0.014
	Chrome plastic	MTS2-20B	1SFA611301R2006	10	0.014
	Chrome metal	MTS2-30B	1SFA611301R3006	10	0.023

Contacts actuated, 2-position

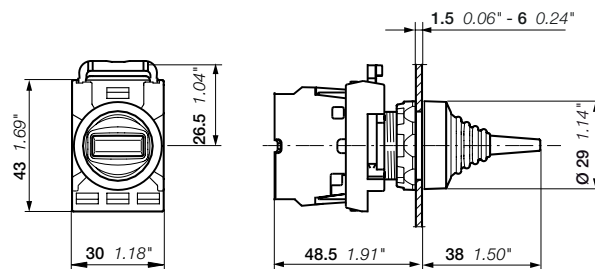


Not actuated Actuated

Contacts actuated, 3-position



Not actuated Actuated

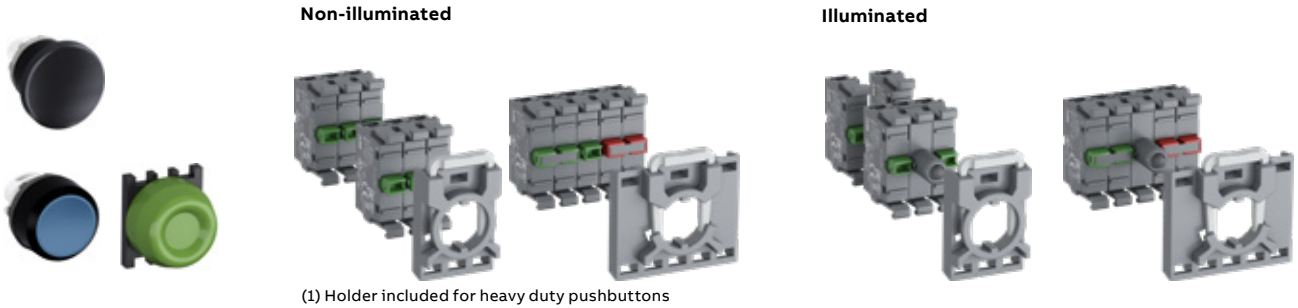


MTS
Dimensions (mm, inches)

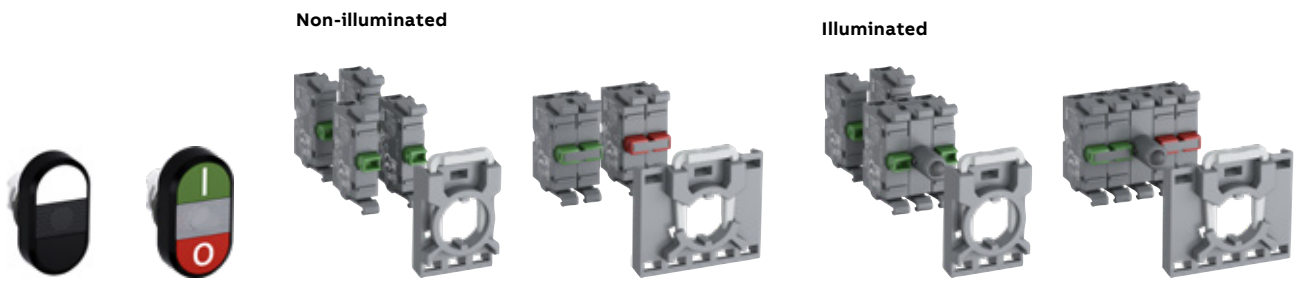
Modular plastic range

Contact block configuration

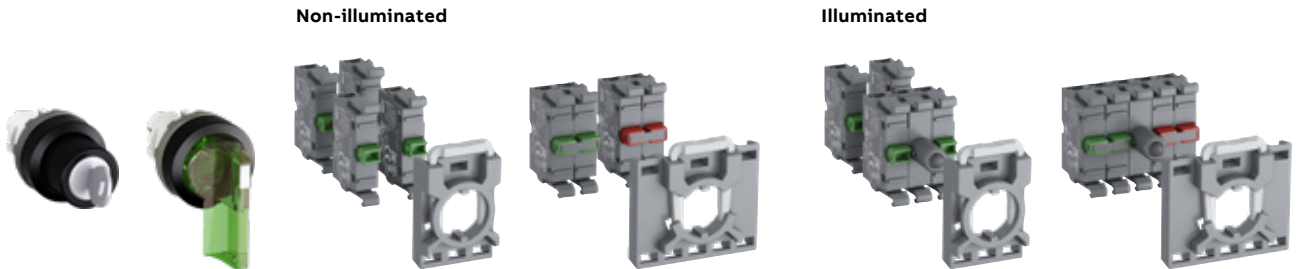
Pushbuttons–Heavy duty pushbuttons (1)–Mushrooms pushbuttons



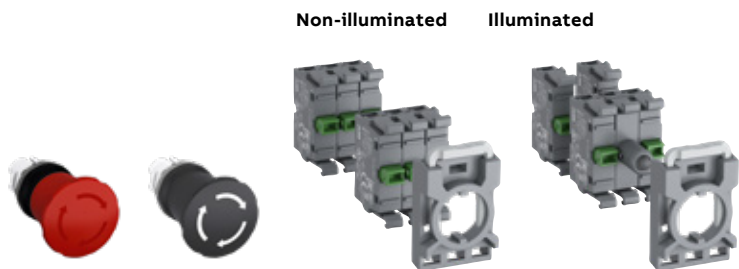
Double pushbuttons



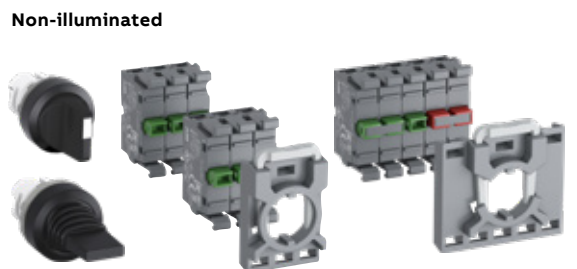
Selector switches



Emergency stop pushbuttons–Machine stop pushbuttons



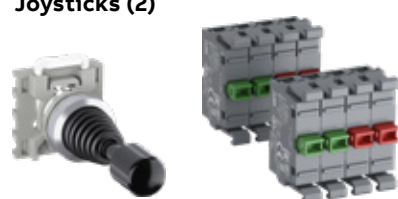
Toggle switches–Center block operating selector switches



Pilot lights



Joysticks (2)



Note: locking nut included with all operators.

(2) Holder is included for joystick.

Modular plastic range

Holders and contact blocks for front mounting

02



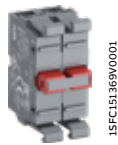
MCBH-00



MCBH5-00



MCB-10



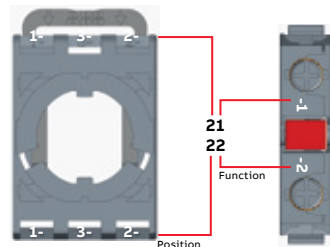
MCB-02



MCBL-01

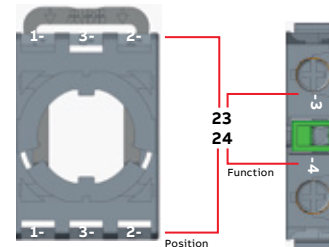
Description	Contacts	Type	Order code	Pkg qty	Weight (1 pce)
kg					
Holders					
3-position	--	MCBH-00	1SFA611605R1100	10	0.006
5-position	--	MCBH5-00	1SFA611601R1100	10	0.008
Single contact blocks					
For 3 & 5-position holder	1 0	MCB-10	1SFA611610R1001	10	0.013
	0 1	MCB-01	1SFA611610R1010	10	0.013
Single contact blocks, gold plated contacts					
For 3 & 5-position holder	1 0	MCB-10G	1SFA611610R1101	10	0.013
	0 1	MCB-01G	1SFA611610R1110	10	0.013
Double contact blocks					
For 3 & 5-position holder	2 0	MCB-20	1SFA611610R1002	10	0.026
	0 2	MCB-02	1SFA611610R1020	10	0.026
	1 1	MCB-11	1SFA611610R1011	10	0.026
Double contact blocks, gold plated contacts					
For 3 & 5-position holder	2 0	MCB-20G	1SFA611610R1102	10	0.026
	0 2	MCB-02G	1SFA611610R1120	10	0.026
	1 1	MCB-11G	1SFA611610R1111	10	0.026
Micro switch contact blocks					
For 3-position holder	1 0	MCBL-10	1SFA611612R1010	10	0.013
	0 1	MCBL-01	1SFA611612R1001	10	0.013

Note: 3 micro switch contact blocks max. allowed. If more than 3 contact blocks are needed, micro switch contact block to be mounted on the second stack.



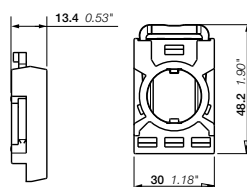
Combined markings

11	31	21
12	32	22

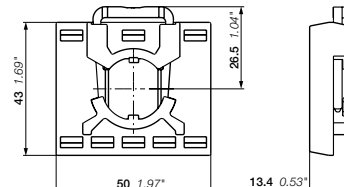


Combined markings

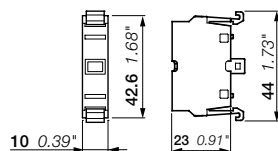
13	33	23
14	34	24



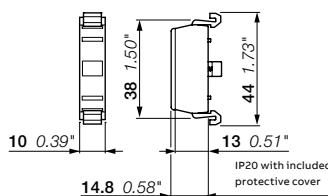
MCBH



MCBH5



MCB



MCBL

Dimensions (mm, inches)

Modular plastic range

LED blocks for front mounting



MLBL-00W

1SFC151417V0001

Color	Rated current mA	Wavelength nm	Luminance mcd	Type	Order code	Pkg qty	Weight (1pce) kg
Rated voltage 12 V DC							
● Red	12.0	620	320	MLBL-00R	1SFA611621R1001	10	0.012
● Green	12.0	520	1500	MLBL-00G	1SFA611621R1002	10	0.012
● Yellow	12.0	588	380	MLBL-00Y	1SFA611621R1003	10	0.012
● Blue	12.0	468	450	MLBL-00L	1SFA611621R1004	10	0.012
○ White	12.0	(1)	600	MLBL-00W	1SFA611621R1005	10	0.012
Rated voltage 24 V AC/DC							
● Red	10.0	620	250	MLBL-01R	1SFA611621R1011	10	0.012
● Green	10.0	520	1500	MLBL-01G	1SFA611621R1012	10	0.012
● Yellow	10.0	588	250	MLBL-01Y	1SFA611621R1013	10	0.012
● Blue	10.0	468	450	MLBL-01L	1SFA611621R1014	10	0.012
○ White	10.0	(1)	600	MLBL-01W	1SFA611621R1015	10	0.012
Rated voltage 48 V AC/DC							
● Red	10.0	620	260	MLBL-02R	1SFA611621R1021	10	0.012
● Green	13.0	520	1500	MLBL-02G	1SFA611621R1022	10	0.012
● Yellow	10.0	588	300	MLBL-02Y	1SFA611621R1023	10	0.012
● Blue	13.0	468	450	MLBL-02L	1SFA611621R1024	10	0.012
○ White	13.0	(1)	600	MLBL-02W	1SFA611621R1025	10	0.012
Rated voltage 60 V AC/DC							
● Red	13.0	620	350	MLBL-03R	1SFA611621R1031	10	0.012
● Green	13.0	520	2000	MLBL-03G	1SFA611621R1032	10	0.012
● Yellow	13.0	588	400	MLBL-03Y	1SFA611621R1033	10	0.012
● Blue	13.0	468	550	MLBL-03L	1SFA611621R1034	10	0.012
○ White	13.0	(1)	750	MLBL-03W	1SFA611621R1035	10	0.012
Rated voltage 110-130 V AC							
● Red	10.0	620	200	MLBL-04R	1SFA611621R1041	10	0.012
● Green	10.0	520	1200	MLBL-04G	1SFA611621R1042	10	0.012
● Yellow	10.0	588	250	MLBL-04Y	1SFA611621R1043	10	0.012
● Blue	10.0	468	400	MLBL-04L	1SFA611621R1044	10	0.012
○ White	10.0	(1)	500	MLBL-04W	1SFA611621R1045	10	0.012
Rated voltage 110-130 V AC high anti-inductive voltage (2)							
● Red	10.0	620	250	MLBL-04AR	1SFA611621R3041	10	0.012
● Green	10.0	520	1500	MLBL-04AG	1SFA611621R3042	10	0.012
● Yellow	10.0	582	300	MLBL-04AY	1SFA611621R3043	10	0.012
● Blue	10.0	468	450	MLBL-04AL	1SFA611621R3044	10	0.012
○ White	10.0	(1)	600	MLBL-04AW	1SFA611621R3045	10	0.012
Rated voltage 110-130 V DC							
● Red	10.0	620	250	MLBL-05R	1SFA611621R1051	10	0.012
● Green	10.0	520	1500	MLBL-05G	1SFA611621R1052	10	0.012
● Yellow	10.0	588	300	MLBL-05Y	1SFA611621R1053	10	0.012
● Blue	10.0	468	450	MLBL-05L	1SFA611621R1054	10	0.012
○ White	10.0	(1)	600	MLBL-05W	1SFA611621R1055	10	0.012
Rated voltage 220 V DC							
● Red	8.0	620	180	MLBL-06R	1SFA611621R1061	10	0.012
● Green	8.0	520	110	MLBL-06G	1SFA611621R1062	10	0.012
● Yellow	8.0	588	200	MLBL-06Y	1SFA611621R1063	10	0.012
● Blue	8.0	468	450	MLBL-06L	1SFA611621R1064	10	0.012
○ White	8.0	(1)	600	MLBL-06W	1SFA611621R1065	10	0.012

Note: care should be taken for DC supply where + and – must be correctly connected. This is marked X1 (+) and X2 (-) on the product.

(1) X=0.31, Y=0.32 according to the ICI Chromaticity diagram.

(2) Higher threshold to light up LED to be used in application where there is risk of large induced voltages.

Modular plastic range

LED blocks for front mounting



MLBL-00W

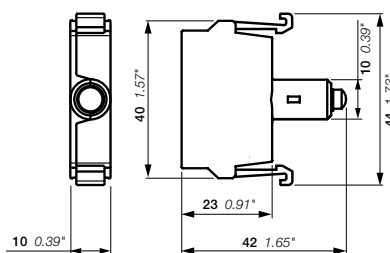
1SFC15141V0001

Color	Rated current mA	Wavelength nm	Luminance mcd	Type	Order code	Pkg qty	Weight (1pce) kg
Rated voltage 230 V AC							
● Red	10.0	620	250	MLBL-07R	1SFA611621R1071	10	0.012
● Green	10.0	520	1500	MLBL-07G	1SFA611621R1072	10	0.012
● Yellow	10.0	588	300	MLBL-07Y	1SFA611621R1073	10	0.012
● Blue	10.0	468	450	MLBL-07L	1SFA611621R1074	10	0.012
○ White	10.0	(1)	600	MLBL-07W	1SFA611621R1075	10	0.012
Rated voltage 230 V AC high anti-inductive voltage (2)							
● Red	10.0	620	250	MLBL-99R	1SFA611621R1991	10	0.012
● Green	10.0	520	1500	MLBL-99G	1SFA611621R1992	10	0.012
● Yellow	10.0	588	300	MLBL-99Y	1SFA611621R1993	10	0.012
● Blue	10.0	468	450	MLBL-99L	1SFA611621R1994	10	0.012
○ White	10.0	(1)	600	MLBL-99W	1SFA611621R1995	10	0.012
Rated voltage 380 V AC							
● Red	10.0	620	250	MLBL-08R	1SFA611621R1081	10	0.012
● Green	10.0	520	1500	MLBL-08G	1SFA611621R1082	10	0.012
● Yellow	10.0	582	300	MLBL-08Y	1SFA611621R1083	10	0.012
● Blue	10.0	468	450	MLBL-08L	1SFA611621R1084	10	0.012
○ White	10.0	(1)	600	MLBL-08W	1SFA611621R1085	10	0.012
Rated voltage 415 V AC							
● Red	11	620	280	MLBL-09R	1SFA611621R1091	10	0.012
● Green	11	520	1800	MLBL-09G	1SFA611621R1092	10	0.012
● Yellow	11	588	350	MLBL-09Y	1SFA611621R1093	10	0.012
● Blue	11	468	500	MLBL-09L	1SFA611621R1094	10	0.012
○ White	11	(1)	650	MLBL-09W	1SFA611621R1095	10	0.012

Note: care should be taken for DC supply where + and – must be correctly connected. This is marked X1 (+) and X2 (-) on the product.

(1) X=0.31, Y=0.32 according to the ICI Chromaticity diagram.

(2) Higher threshold to light up LED to be used in application where there is risk of large induced voltages.



MLBL

Dimensions (mm, inches)

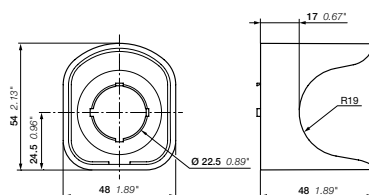
Modular plastic range

Accessories



Description	Bezel / color	Type	Order code	Pkg qty	Weight (1pce) kg
30 mm adapters for 22 mm operator (1.5–4 mm panel thickness)					
Emergency stop pushbuttons, MPM	Black plastic	KA1-8027	1SFA616920R8027	1	0.007
	Chrome metal	KA1-8028	1SFA616920R8028	1	0.021
Pushbuttons, selector switches, pilot lights, potentiometers, emergency stop pushbuttons, MPE, MJS	Black plastic	KA1-8029	1SFA616920R8029	1	0.010
Flush mounted pushbuttons	Chrome metal	KA1-8073	1SFA616920R8073	1	0.050
Flush mounted selector switches	Chrome metal	MA1-8074	1SFA611920R8074	1	0.050
Protective membrane, silicone					
Flush pushbutton		MA1-8052	1SFA611920R8052	10	0.002
Double pushbutton		MA1-8126	1SFA611920R8126	10	0.002
Extended pushbutton		MA1-8002	1SFA611920R8002	10	0.002
Protective ring					
To prevent accidental operation. Cannot be used together with Legend plate holder					
Flush and extended pushbuttons	Clear plastic	-	SK615512-1	10	0.002
Flush pushbuttons	Metal and black plastic	KA1-8010	1SFA616920R8010	10	0.008
Bezel					
Pushbuttons	Black plastic	KA1-8022	1SFA616920R8022	10	0.002
	Chrome plastic	KA1-8020	1SFA616920R8020	10	0.002
	Chrome metal	KA1-8021	1SFA616920R8021	10	0.015
Selector switches	Black plastic	KA1-8080	1SFA616920R8080	10	0.002
	Chrome metal	KA1-8024	1SFA616920R8024	10	0.015
Square bezel					
Black plastic		-	SK616016-2	10	0.001
Lockable shroud					
Pushbuttons, selector switches	Plastic	MA1-8153	1SFA611920R8153	1	0.023
Emergency stop 30 mm	Metal	-	SK615502-D	1	0.080
Touch guard					
Touch guard		MA1-8152	1SFA611920R8152	1	0.023
Shroud with anti rotation tabs, slot for pad-lock and with water drainage					
Emergency stop, machine stop 40 mm	● Yellow	MA1-8053	1SFA611920R8053	1	0.020
	● Grey	MA1-8128	1SFA611920R8128	1	0.020

Note: Din-rail adapter should be used with 2 contact blocks for rear mounting type MCB..B.



MA1
Dimensions (mm, inches)

Modular plastic range

Accessories



MA1-8131

1SFC151276V0001



MDB-2

1SFC151455F0001



MA1-8015

1SFC151275V0001



MA1-8149

1SFC151004F0001



MA1-8019

1SFC151385V0001

Description	Bezel / color	Type	Order code	Pkg qty	Weight (1pce) kg
DIN-rail adapter					
DIN-rail adapter		MA1-8131	1SFA611920R8131	1	0.020
DIN-rail adapter with one dummy block		MA1-8001	1SFA611920R8001	1	0.028
Dummy block		MDB-2	1SFA611630R1002	10	0.003
Note: Din-rail adapter should be used with 2 contact blocks for rear mounting type MCB..B.					
Note: Dummy blocks are used when only one contact block or a compact pilot device is used together with the DIN-rail adapter					
Mounting tools					
Mounting tool for tightening the locking nut		MA1-8015	1SFA611920R8015	1	0.021
Mounting tool for power tool		MA1-8149	1SFA611920R8149	1	0.155
Extra key					
Key code 455			SK616021-71	10	0.007
Key code 421			SK616021-72	10	0.007
Key code 3433-E			SK616021-73	10	0.007
Locking nut					
Locking nut		MA1-8019	1SFA611920R8019	10	0.001

Modular plastic range

Technical data

Standards and approvals

IEC / EN 60947-1	Low Voltage switchgear and control gear- Part 1: General rules
IEC / EN 60947-5-1	Low Voltage switchgear and control gear- part 5-1: control circuit devices and switching elements–Electromechanical control circuit devices
IEC / EN 60947-5-5	Low Voltage switchgear and control gear- part 5-5: control circuit devices and switching elements–Electrical emergency stop device with mechanical latching function
IEC / EN 60073	Basic and safety principles for man-machine interface, marking and identification coding principles for indicators and actuators
IEC / EN 60529	Degrees of protection provided by enclosures (IP code)
EN 50013	Low Voltage switchgear and control gear for industrial use, terminal marking and distinctive number for particular control switches
DIN 40050-9	Road vehicles; Degrees of protection (IP-code); protection against foreign objects; water and contact; electrical equipment
UL 508	Industrial control equipment
CSA C22.2 No 14	Industrial control equipment

Environmental data

Degrees of protection






Operators	IEC/EN DIN	UL/CSA
Pushbutton: MP	IP66	Type 1, 3R, 4, 4X, 12, 13
Double pushbutton: MPD	IP66	Type 1, 3R, 4, 4X, 12, 13
Mushroom pushbutton: MPM	IP66	Type 1, 3R, 4, 4X, 12, 13
Emergency stop pushbuttons: MPMT, MPMP, MPET, MPEP, MPEK	IP66	Type 1, 3R, 4, 4X, 12, 13
Selector switch: M2SS, M3SS	IP66	Type 1, 3R, 4, 4X, 12, 13
Key-operated selector switch: M2SSK, M3SSK	IP66	Type 1, 3R, 4, 4X, 12
Toggle switch: MTS2, MTS3	IP66	Type 1, 3R, 4, 4X, 12, 13
Heavy duty pushbutton: KP6	-	Type 1, 3R, 4, 4X
Reset pushbutton: KPR	IP66	Type 1, 3R, 4, 4X, 12, 13
Joystick: MJS	IP66, 67, 69K	Type 1, 4X (indoor), 12, 13
Pilot light: ML	IP66	Type 1, 3R, 4, 4X, 12, 13
Potentiometer: MT	IP66	Type 1, 3R, 4, 4X, 12, 13
Contact block : MCB	IP20	-
Plastic enclosure: MEP	IP66	Type 1, 3R, 4, 4X, 12, 13

Note: Specified degree of protection is for operator mounted on panel. If other items are mounted in between, please make sure that they are correctly sealed.

Temperature

Ambient temperature during operation	-25 to +70 °C
Storage temperature	-40 to +85 °C

Connecting capacity

Contact block type	MCB	MCBL	MLBL
Connection capacity (min. ... max.)			
 Solid/stranded	1x	0.75...2.5 mm ²	
	2x	0.75...2.5 mm ²	
 Flexible	1x	0.75...2.5 mm ²	
	2x	0.75...2.5 mm ²	
 Flexible with non insulated ferrule	1x	0.75...2.5 mm ²	
	2x	0.75...2.5 mm ²	
 Flexible with insulated ferrule	1x	0.75...2.5 mm ²	
	2x	0.75...2.5 mm ²	
 Lugs	L ≤	7.0 mm	
	l >	3.5 mm	
Connection capacity acc. to UL/CSA 1 or 2 x AWG 18...14			
Stripping length 8 mm			
Tightening torque			
Cable terminals M3.5		0.9 Nm	
Recommended screwdriver for cable terminal		Pozidriv No. 2	
Operators locking nut		Min. 2 Nm / Max. 2.3 Nm	

Material

No ozone depleting substances in the products. All front of panel plastic components are made of polycarbonate

Material	Effects
PC polycarbonate	High impact strength, good outdoor resistance. Chemical resistance (see table below)
PSU polysulphone	Can withstand high temperatures, acids, basic solutions, alkaline compounds, oils, alcohols
PA polyamide	Can withstand high temperatures, aliphatic, aromatic and chlorinated hydrocarbons, esters, ketone-aldehydes, alcohols and basic solutions
PBT	Can withstand high temperature, aliphatic and aromatic hydrocarbons, acids, basic solutions, alcohols, grease and oils
Zinc	Good corrosion resistance in inland-, sea and industrial atmosphere
Light-alloy	Good corrosion resistance in inland-, sea and industrial atmosphere

Chemical resistance for polycarbonate

Chemical class	Effects
Alcohols and alkalis	Generally compatible at low concentration and room temperature. Higher concentrations and elevated temperatures can result in etching and attack evidenced by decomposition
Aliphatic hydrocarbons	Generally compatible
Amines	Surface crystallization and chemical attack. Avoid
Aromatic hydrocarbons	Partial solvents and severe stress cracking agents (i.e., xylene, toluene) Avoid
Detergents and cleaners	Mild soap solutions are generally compatible. Strong alkaline materials should be avoided
Esters	Cause severe crystallization. Partial solvents Avoid
Greases and oils	Pure petroleum types generally compatible. Many additives used with them are not
Halogenated, hydrocarbons	Solvents Avoid
Ketones	Cause severe crystallization and stress cracking. Partial solvents Avoid
Silicone oil and greases	Generally compatible up to 85 °C

Modular plastic range

Technical data

Electrical data

MCB Standard contact blocks (standard and gold plated)

Self cleaning silver contacts, NC contact with positive opening.
At voltages and currents below 24 V and 5.6 mA we recommend our micro switch blocks.

Ratings as per IEC 60947-5-1

Rated insulation voltage, U_i	690 V	
Rated thermal current, I_{th}	10 A	
Rated operational current, I_e utilization category AC 15,	at: 120 V	8 A
	at: 230 V	6 A
	at: 400 V	4 A
	at: 690 V	2 A
Rated operational current, I_e utilization category DC 13,	at: 24 V	5 A
	at: 125 V	1.1 A
	at: 250 V	0.55 A
Rated impulse withstand voltage	U_{imp}	6 kV
Rated frequency	50/60 Hz	
Pollution degree	3	

Ratings as per UL, CSA, NEMA

	A600 AC	Q600 DC		
Rated insulation voltage	600 V	600 V		
Rated thermal current	10 A	2.5 A		
Rated operational current	at: 120 V	6 A	at: 125 V	0.55 A
	at: 240 V	3 A	at: 250 V	0.27 A
	at: 480 V	1.5 A	at: 480 V	0.10 A
	at: 600 V	1.2 A	at: 600 V	0.10 A

Max. number of contact blocks per operator

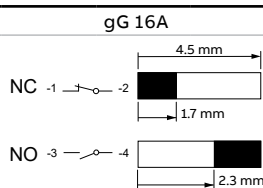
The contact blocks can be stacked in max two levels on the 3-block holder. Only one level is accepted on the 5-block holder.

Pushbutton, toggle switch, mushroom pushbutton, double pushbutton, selector switch, key-operated selector switch and emergency stop operator	6
Joystick	8

Short circuit protection

Max. fuse at 1 kA

Diagram for make and break contact MCB, MCBL



Micro switch block

Ratings as per IEC 60947-5-1

Rated insulation voltage, U_i	125 V	
Rated thermal current, I_{th}	3 A	
Rated operational current, I_e utilization category AC 14,	at: 125 V	0.5 A
	at: 24 V	0.3 A
Rated operational current, I_e utilization category DC 13,	at: 24 V	0.1 A

Ratings as per UL 508

	125 V AC	3 A
	60 V DC	0.2 A
	48 V DC	0.1 A

Minimum switching capacity

Standard contact blocks	24 V DC	5.6 mA
Gold plated contact blocks	5 V DC	12 mA
	12 V DC	1 mA
Micro switch blocks	3 V DC	1 mA

Mechanical data

Mechanical life

Standard contact blocks MCB	10 million operations
Micro switch block MCBL	1 million operations
Pushbuttons MP, momentary mushroom pushbuttons MPM	2 million operations

Selector switches M2SS, M3SS

Standard contact blocks and micro switch block	3-position holder		500 000 operations
Standard contact blocks	3-position holder		
Standard contact blocks	5-position holder		
Standard contact blocks in two stacks	3-position holder		

Selector switches—center block operating M3SSC

Standard contact blocks	3-position holder		250 000 operations
Standard contact blocks in two stacks	3-position holder		150 000 operations

Key-operated selector switch M2SSK, M3SSK and double pushbutton MPD

Key-operated selector switch M2SSK, M3SSK and double pushbutton MPD	500 000 operations
---	--------------------

Emergency stop pushbuttons MPET, MPEP, MPEK

Emergency stop pushbuttons MPET, MPEP, MPEK	100 000 operations
---	--------------------

Toggle switch MTS

Toggle switch MTS	1 million operations
-------------------	----------------------

Joystick MJS

Micro switch block	4-position holder		500 000 operations
Standard contact blocks	4-position holder		
Standard contact blocks and micro switch block	4-position holder		400 000 operations
Standard contact blocks in two stacks	4-position holder		300 000 operations

LED blocks MLBL

Service life for LED means number of service hours until the brightness has been reduced down 50%. Service life 50 000 h operating at 25 °C, 40-70% rh (relative humidity)

Color of white LED	$x=0.31$ $Y=0.32$ means the position of color in the ICI Chromaticity diagram
Voltage tolerance on LED blocks	-30 to +10% voltage is acceptable without affecting the Service life
Voltage peaks on LED blocks	Voltage peaks up to 1000 V. Current peaks up to 500 mA during a few msec.
Glowing light	All integrated LED bulbs have a function built in to cut leakage currents
Rated frequency	50/60 Hz for AC supplied products

Modular plastic range

Technical data

LED blocks front and rear mounting MLBL

Color	Current		Illuminance		Anti ... inductive peak voltage V	Main wavelength Nm	Color temperature K
	mA Min.	Max.	lx Min.	Max.			
Voltage range 12 V DC							
● Red	11	15	1000	3500	5	620 ... 625	–
● Green	8	12	3700	12500	5	515 ... 520	–
● Yellow	11	15	1200	4250	5	585 ... 590	–
● Blue	8	12	1500	5300	5	465 ... 470	–
○ Clear	8	12	1800	8500	5	–	8000 ... 12000
Voltage range 24 V AC / DC							
● Red	8	12	900	3100	5	620 ... 625	–
● Green	8	12	3000	11500	5	515 ... 520	–
● Yellow	8	12	1000	3400	5	585 ... 590	–
● Blue	8	12	1500	5300	5	465 ... 470	–
○ Clear	8	11	1800	8500	5	–	8000 ... 12000
Voltage range 48 V AC / DC							
● Red	8	12	900	3100	5	620 ... 625	–
● Green	8	12	3000	11500	5	515 ... 520	–
● Yellow	8	12	1000	3400	5	585 ... 590	–
● Blue	8	12	1500	5300	5	465 ... 470	–
○ Clear	8	12	1800	8500	5	–	8000 ... 12000
Voltage range 60 V AC / DC							
● Red	8	12	900	3100	5	620 ... 625	–
● Green	8	12	3000	11500	5	515 ... 520	–
● Yellow	8	12	1000	3400	5	585 ... 590	–
● Blue	8	12	1500	5300	5	465 ... 470	–
○ Clear	8	12	1800	8500	5	–	8000 ... 12000
Voltage range 110 ... 130 V AC							
● Red	8	12	900	3100	15	620 ... 625	–
● Green	8	12	3200	12000	15	515 ... 520	–
● Yellow	8	12	1000	3700	15	585 ... 590	–
● Blue	8	12	1550	5500	15	465 ... 470	–
○ Clear	8	12	1850	8800	15	–	8000 ... 12000
Voltage range 110 ... 130 V AC high anti-inductive voltage (1)							
● Red	14	16	700	2600	25	620 ... 625	–
● Green	14	16	2100	8200	25	515 ... 520	–
● Yellow	14	16	750	3000	25	585 ... 590	–
● Blue	14	16	1000	5000	25	465 ... 470	–
○ Clear	14	16	1500	8100	25	–	8000 ... 12000
Voltage range 110 ... 130 V DC							
● Red	8	12	900	3100	15	620 ... 625	–
● Green	8	12	3000	11500	15	515 ... 520	–
● Yellow	8	12	1000	3400	15	585 ... 590	–
● Blue	8	12	1500	5300	15	465 ... 470	–
○ Clear	8	12	1800	8500	15	–	8000 ... 12000

Note:

The testing distance of illuminance is 2 mm, between top of lens and the sensor surface. Clean test environment, supply voltage at 50/60 Hz with harmonized wave and without length high frequency.

Rated voltage tolerance of LED blocks: -30% to +10%.

(1) Higher threshold to light up LED to be used in applications where there is risk of large induced voltages.

Modular plastic range

Technical data

Color	Current		Illuminance		Anti-inductive peak voltage	Main wavelength	Color temperature
	mA Min.	Max.	lx Min.	Max.	V	Nm	K
Voltage range 220 V DC							
● Red	7	10	700	2300	15	620 ... 625	–
● Green	7	10	2400	8000	15	515 ... 520	–
● Yellow	7	10	800	3100	15	585 ... 590	–
● Blue	7	10	1200	4350	15	465 ... 470	–
○ Clear	7	10	1400	7000	15	–	8000 ... 12000
Voltage range 230 V AC							
● Red	8	12	900	3100	15	620 ... 625	–
● Green	8	12	3000	11500	15	515 ... 520	–
● Yellow	8	12	1000	3400	15	585 ... 590	–
● Blue	7	11	1500	5300	15	465 ... 470	–
○ Clear	7	11	1800	8500	15	–	8000 ... 12000
Voltage range 380 V AC							
● Red	8	12	900	3100	15	620 ... 625	–
● Green	8	12	3000	11500	15	515 ... 520	–
● Yellow	8	12	1000	3400	15	585 ... 590	–
● Blue	8	12	1500	5300	15	465 ... 470	–
○ Clear	8	12	1800	8500	15	–	8000 ... 12000
Voltage range 415 V AC							
● Red	8	12	900	3100	15	620 ... 625	–
● Green	8	12	3000	11500	15	515 ... 520	–
● Yellow	8	12	1000	3400	15	585 ... 590	–
● Blue	8	12	1500	5300	15	465 ... 470	–
○ Clear	8	12	1800	8500	15	–	8000 ... 12000
Voltage range 230 V AC high anti-inductive voltage (1)							
● Red	8	12	480	1700	55	620 ... 625	–
● Green	6	11	1500	5800	55	515 ... 520	–
● Yellow	8	12	530	1900	55	585 ... 590	–
● Blue	6	11	850	3100	55	465 ... 470	–
○ Clear	6	11	1000	5200	55	–	8000 ... 12000

Note:

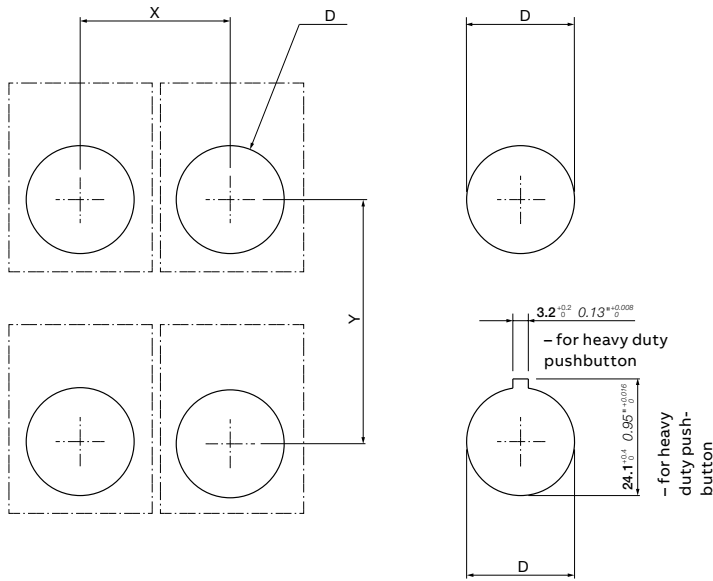
The testing distance of illuminance is 2 mm, between top of lens and the sensor surface. Clean test environment, supply voltage at 50/60 Hz with harmonized wave and without length high frequency.

Rated voltage tolerance of LED blocks: ... 30% to +10%.

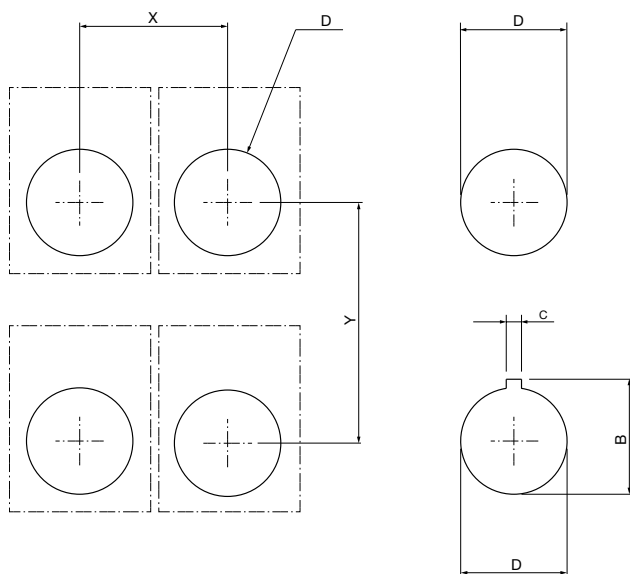
(1) Higher threshold to light up LED to be used in applications where there is risk of large induced voltages.

Modular plastic range

Drilling plan



Description	X	Y	D		Panel thickness
			Ø mm	inch	
Pushbutton, pilot light, selector switch short handle, potentiometer, toggle switch, 30 mm emergency stop, key-operated selector switch	31 1.22"	50 1.97"	Ø 22.3 ^{+0.4} ₀	0.88" ^{+0.016} ₀	1.5 0.06"–6 0.24"
Pushbutton, pilot light, selector switch short handle (with legend plate)	31 1.22"	55 2.17"	Ø 22.3 ^{+0.4} ₀	0.88" ^{+0.016} ₀	1.5 0.06"–6 0.24"
Mushroom pushbutton, emergency stop, machine stop (60 mm)	45 1.77"	50 1.97"	Ø 22.3 ^{+0.4} ₀	0.88" ^{+0.016} ₀	1.5 0.06"–6 0.24"
Mushroom pushbutton, emergency stop, machine stop (40 mm)	65 2.56"	70 2.76"	Ø 22.3 ^{+0.4} ₀	0.88" ^{+0.016} ₀	1.5 0.06"–6 0.24"
Double pushbutton	31 1.22"	55 2.17"	Ø 22.3 ^{+0.4} ₀	0.88" ^{+0.016} ₀	1.5 0.06"–6 0.24"
Double pushbutton (with legend plate)	31 1.22"	95 3.74"	Ø 22.3 ^{+0.4} ₀	0.88" ^{+0.016} ₀	1.5 0.06"–6 0.24"
Heavy duty pushbutton	50 1.97"	50 1.97"	Ø 30.5 ^{+0.5} ₀	1.20" ^{+0.02} ₀	2 0.08"–5 0.20"
Potentiometer (with legend plate)	51 2.01"	50 1.97"	Ø 22.3 ^{+0.4} ₀	0.88" ^{+0.016} ₀	1.5 0.06"–6 0.24"
Toggle switch (with legend plate)	31 1.22"	66 2.60"	Ø 22.3 ^{+0.4} ₀	0.88" ^{+0.016} ₀	1.5 0.06"–6 0.24"
Joystick (with legend plate)	100 3.94"	100 3.94"	Ø 22.3 ^{+0.4} ₀	0.88" ^{+0.016} ₀	1.5 0.06"–6 0.24"



Accessories	X	Y	D		B		C	Panel thickness
			Ø mm	inch	Ø mm	inch		
5 block holder	51 2.01"	50 1.97"	Ø 22.3 ^{+0.4} ₀	0.88" ^{+0.016} ₀	24.1 ^{+0.4} ₀	0.95" ^{+0.016} ₀	3.2 0.13"	1.5 0.06"–6 0.24"
30 mm adapter	42 1.65"	52 2.05"	Ø 30.5 ^{+0.5} ₀	1.20" ^{+0.02} ₀	33 ^{+0.5} ₀	1.30" ^{+0.02} ₀	5 0.20"	2 0.08"–7 0.28"

Pilot devices, 22 mm

Modular metal range

Ordering details

56	Non-illuminated pushbuttons momentary
57	Non-illuminated marked pushbuttons momentary
58	Illuminated pushbuttons momentary
59	Non-illuminated mushroom pushbuttons
60	Illuminated mushroom pushbuttons
61	Pilot lights
62	Non-illuminated selector switches–2-position
63	Illuminated selector switches–2-position
64	Non-illuminated selector switches–3-position
65	Illuminated selector switches–3-position
66	Non-illuminated selector switches –4- and 5-position
68	Key-operated selector switches
72	Joysticks
74	Toggle switches
75	Selector pushbuttons

Accessories for modular range

76	Holders and contact blocks for front mounting
77	Power supplies
78	LED bulbs for power supplies
79	LED blocks for front mounting
80	Other accessories
81	Metal enclosures

83 Technical data

85 Dimension

86 Drilling plan

Modular metal range

Non-illuminated pushbuttons momentary



P9M-PNRG with holder

1SFC151476V0001



P9M-PNGG

1SFC151529V0001



P9M-PNBG

1SFC151510V0001



P9M-PNNG

1SFC151526V0001



P9M-PNRS

1SFC151519V0001



P9M-PNVS

1SFC151516V0001



P9M-PNLS

1SFC151521V0001



P9M-PNNS

1SFC151520V0001



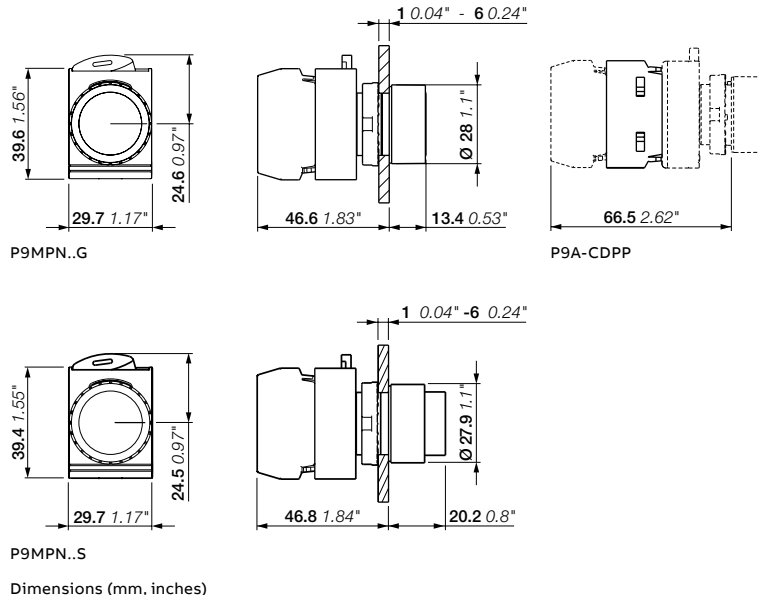
P9A-CDPP

1SFC151628V0001

Description

Each reference includes the satin chrome metal body and nut together with the holder.

Operator	Type	Order code	Pkg qty	Weight (1 pce) kg
Flush pushbutton				
● Red	P9M-PNRG	1SFA184001R9001	1	0.058
● Green	P9M-PNVG	1SFA184002R9002	1	0.058
● Yellow	P9M-PNGG	1SFA184003R9003	1	0.058
● Blue	P9M-PNLG	1SFA184006R9004	1	0.058
○ White	P9M-PNBG	1SFA184007R9005	1	0.058
● Black	P9M-PNNG	1SFA184000R9006	1	0.058
● Grey	P9M-PNHG	1SFA184008R9007	1	0.058
Extended pushbutton				
● Red	P9M-PNRS	1SFA184011R9001	1	0.062
● Green	P9M-PNVS	1SFA184012R9002	1	0.062
● Yellow	P9M-PNGS	1SFA184057R9003	1	0.062
● Blue	P9M-PNLS	1SFA184016R9004	1	0.062
○ White	P9M-PNBS	1SFA184017R9005	1	0.062
● Black	P9M-PNNS	1SFA184010R9006	1	0.062
Maintained accessory				
Device for standard pushbuttons, illuminated pushbuttons: To be used only with contact blocks P9B-01VN, P9B-01VR, P9B-10VA and P9B-01FN	P9A-CDPP	1SFA187843R8000	1	0.012



Modular metal range

Non-illuminated marked pushbuttons momentary



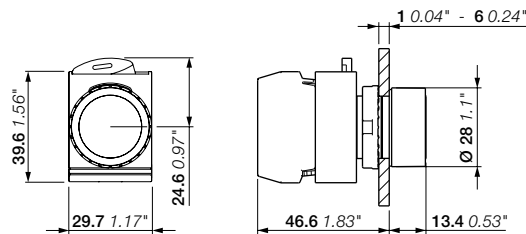
Flush pushbuttons

Each reference includes the satin chrome metal body and nut together with the holder.

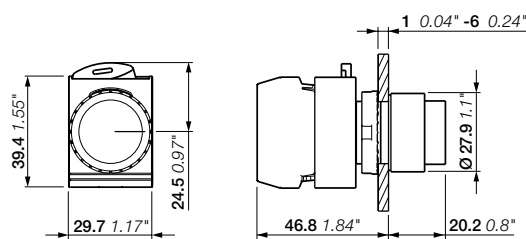
Text/symbol	Color	Type	Order code	Pkg qty	Weight (1 pce) kg
Flush pushbuttons					
START	Green	P9M-PNVG202	1SFA187149R9502	1	0.058
STOP	Red	P9M-PNRG201	1SFA187147R9501	1	0.058
	Black	P9M-PNNG201	1SFA188908R9506	1	0.058
R	Blue	P9M-PNLG037	1SFA187143R9504	1	0.058
⊕	Green	P9M-PNVG030	1SFA187146R9502	1	0.058
	White	P9M-PNBG030	1SFA188057R9505	1	0.058
	Black	P9M-PNNG030	1SFA187145R9506	1	0.058
I	Green	P9M-PNVG028	1SFA187112R9502	1	0.058
	White	P9M-PNBG028	1SFA187151R9505	1	0.058
	Black	P9M-PNNG028	1SFA187111R9506	1	0.058
O	Red	P9M-PNRG029	1SFA187110R9501	1	0.058
	Black	P9M-PNNG029	1SFA187150R9506	1	0.058
→	Green	P9M-PNVG006	1SFA187118R9502	1	0.058
	White	P9M-PNBG006	1SFA187152R9505	1	0.058
	Black	P9M-PNNG006	1SFA187117R9506	1	0.058
↯	Black	P9MPNNG085	1SFA188886R9506	1	0.058
↔	Blue	P9M-PNLG007	1SFA188900R9504	1	0.058
⚠	Black	P9M-PNNG002	1SFA187139R9506	1	0.058

Extended pushbutton

O	Red	P9M-PNRS029	1SFA187210R9501	1	0.058
O	Black	P9M-PNNS029	1SFA187250R9506	1	0.058
⏏	Black	P9M-PNNS032	1SFA187235R9506	1	0.058



P9MPN..G

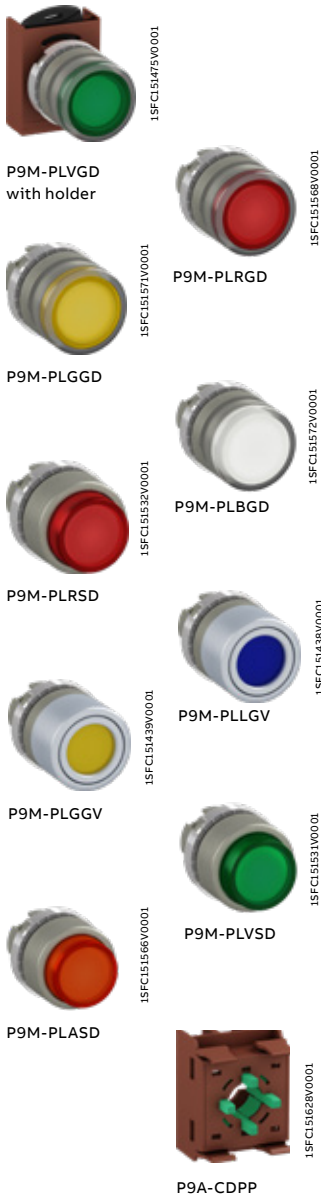


P9MPN..S

Dimensions (mm, inches)

Modular metal range

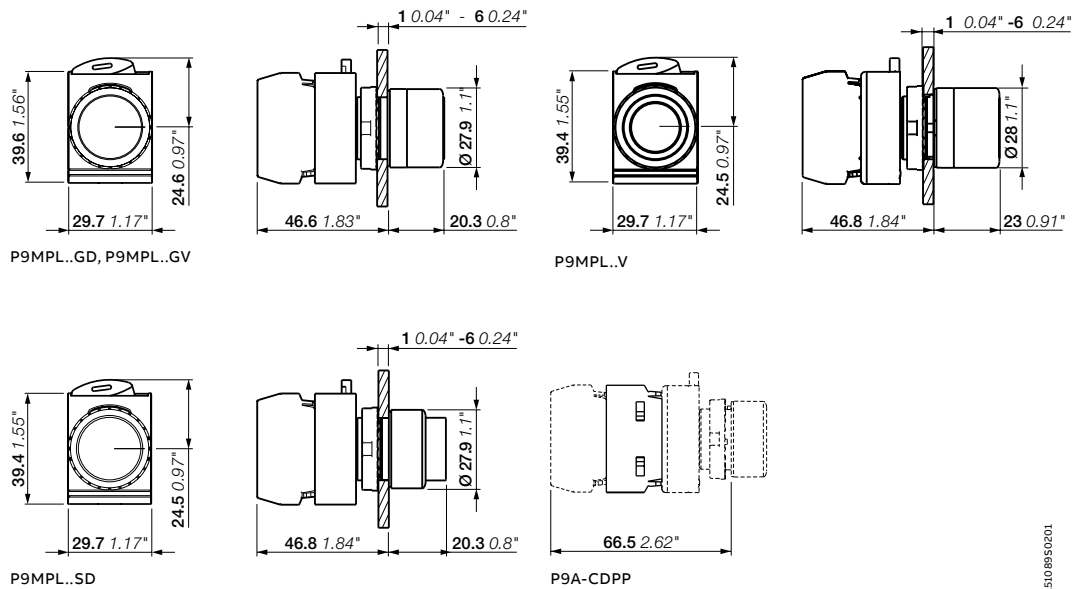
Illuminated pushbuttons momentary



Description

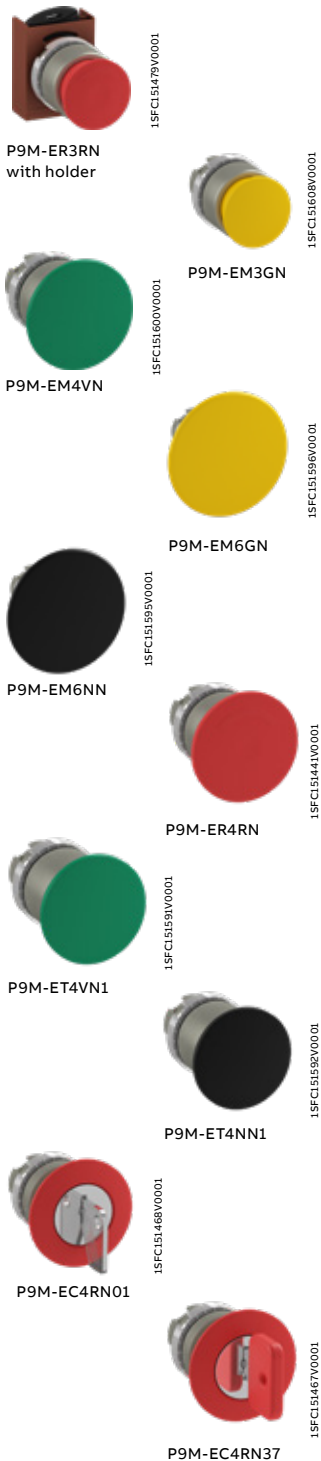
Each reference includes the satin chrome metal body and nut together with the holder.

Operator	Type	Order code	Pkg qty	Weight (1 pce) kg
Flush pushbutton–Plastic lens type				
● Red	P9M-PLRGD	1SFA184491R9101	1	0.057
● Green	P9M-PLVGD	1SFA184492R9102	1	0.057
● Yellow	P9M-PLGGD	1SFA184493R9103	1	0.057
● Blue	P9M-PLLGD	1SFA184496R9104	1	0.057
○ White	P9M-PLBGD	1SFA184497R9105	1	0.057
● Orange	P9M-PLAGD	1SFA184495R9109	1	0.057
○ Clear	P9M-PLIGD	1SFA184498R9108	1	0.057
Flush pushbutton–Glass lens type				
● Red	P9M-PLRGV	1SFA184521R9101	1	0.060
● Green	P9M-PLVGV	1SFA184522R9102	1	0.060
● Yellow	P9M-PLGGV	1SFA184523R9103	1	0.060
● Blue	P9M-PLLGV	1SFA184526R9104	1	0.060
○ White	P9M-PLBGV	1SFA184527R9105	1	0.060
Extended pushbutton–Plastic lens type				
● Red	P9M-PLRSD	1SFA184501R9101	1	0.059
● Green	P9M-PLVSD	1SFA184502R9102	1	0.059
● Yellow	P9M-PLGSD	1SFA184503R9103	1	0.059
● Blue	P9M-PLLSD	1SFA184506R9104	1	0.059
○ White	P9M-PLBSD	1SFA184507R9105	1	0.059
● Orange	P9M-PLASD	1SFA184505R9109	1	0.059
Maintained accessory				
Device for standard pushbuttons, illuminated pushbuttons: To be used only with contact blocks P9B-01VN, P9B-01VR, P9B-10VA and P9B-01FN	P9A-CDPP	1SFA187843R8000	1	0.012



Modular metal range

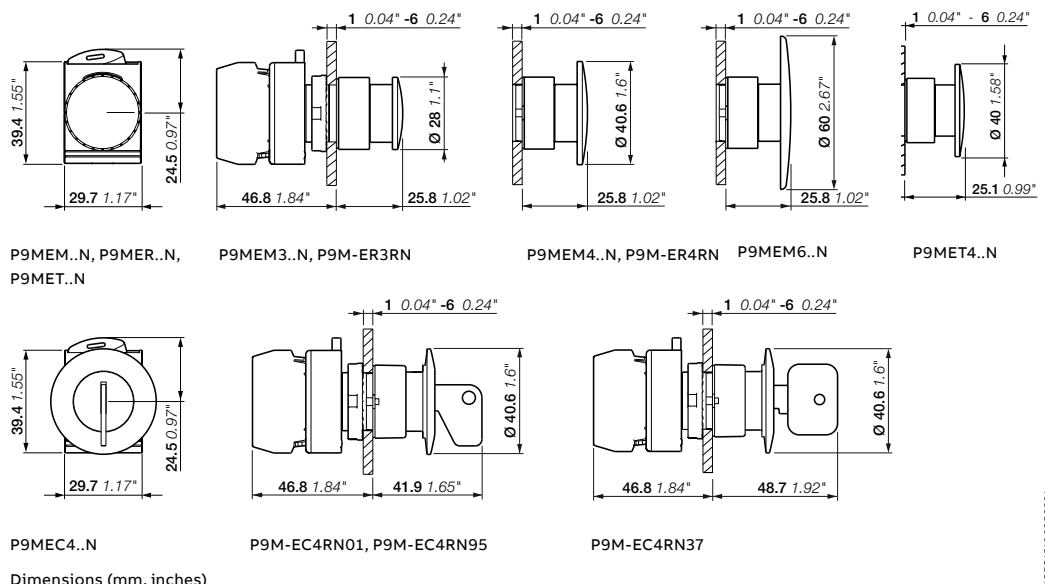
Non-illuminated mushroom pushbuttons



Description

Each reference includes the satin chrome metal body and nut together with the holder.

Color	Release method	Type	Order code	Pkg qty	Weight (1 pce) kg
Momentary					
Ø 28 mm					
● Red	–	P9M-EM3RN	1SFA184031R9001	1	0.060
● Green	–	P9M-EM3VN	1SFA184032R9002	1	0.060
● Yellow	–	P9M-EM3GN	1SFA184033R9003	1	0.060
● Black	–	P9M-EM3NN	1SFA184030R9006	1	0.060
Ø 40 mm					
● Red	–	P9M-EM4RN	1SFA184041R9001	1	0.061
● Green	–	P9M-EM4VN	1SFA184042R9002	1	0.061
● Yellow	–	P9M-EM4GN	1SFA184043R9003	1	0.061
● Black	–	P9M-EM4NN	1SFA184040R9006	1	0.061
Ø 60 mm					
● Red	–	P9M-EM6RN	1SFA184051R9001	1	0.070
● Green	–	P9M-EM6VN	1SFA184052R9002	1	0.070
● Yellow	–	P9M-EM6GN	1SFA184053R9003	1	0.070
● Black	–	P9M-EM6NN	1SFA184050R9006	1	0.070
Maintained					
Ø 28 mm					
● Red	Twist release	P9M-ER3RN	1SFA184070R9001	1	0.066
Ø 40 mm					
● Red	Pull release	P9M-ET4RN1	1SFA184061R9001	1	0.069
	Twist release	P9M-ER4RN	1SFA184071R9001	1	0.069
● Green	Pull release	P9M-ET4VN1	1SFA184062R9002	1	0.069
● Yellow	Pull release	P9M-ET4GN1	1SFA184063R9003	1	0.069
● Black	Pull release	P9M-ET4NN1	1SFA184060R9006	1	0.069
Maintained with key					
Ø 40 mm					
● Red	Key code 01	P9M-EC4RN01	1SFA192000R9001	1	0.090
	Key code 37	P9M-EC4RN37	1SFA192012R9001	1	0.090
	Key code 95	P9M-EC4RN95	1SFA184073R9001	1	0.090



Modular metal range

Illuminated mushroom pushbuttons



P9M-EM4RL



P9M-EM4GL



P9M-ET4RL1



P9M-ET4LL1

Description

Each reference includes the satin chrome metal body and nut together with the holder.

Color	Release method	Type	Order code	Pkg qty	Weight (1 pce) kg
-------	----------------	------	------------	---------	-------------------

Momentary

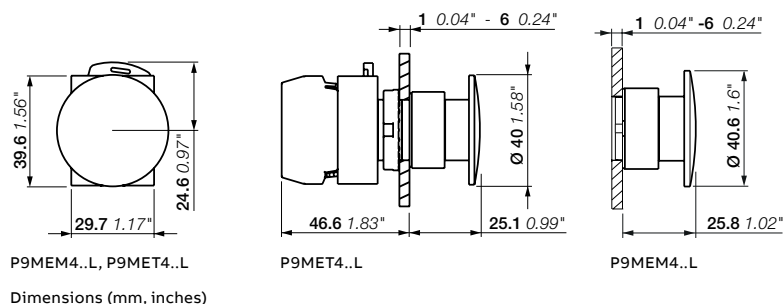
Ø 40 mm

● Red	-	P9M-EM4RL	1SFA184551R9101	1	0.062
● Green	-	P9M-EM4VL	1SFA184552R9102	1	0.062
● Yellow	-	P9M-EM4GL	1SFA184553R9103	1	0.062
● Blue	-	P9M-EM4LL	1SFA184556R9104	1	0.062

Maintained

Ø 40 mm

● Red	Pull release	P9M-ET4RL1	1SFA184561R9101	1	0.062
● Green	Pull release	P9M-ET4VL1	1SFA184562R9102	1	0.062
● Yellow	Pull release	P9M-ET4GL1	1SFA184563R9103	1	0.062
● Blue	Pull release	P9M-ET4LL1	1SFA184566R9104	1	0.062



Modular metal range

Pilot lights



P9M-LBD
with holder

1SFC151478V0001



P9M-LRD

1SFC151579V0001



P9M-LVD

1SFC151578V0001



P9M-LGD

1SFC151582V0001



P9M-LLD

1SFC151580V0001



P9M-LID

1SFC151581V0001



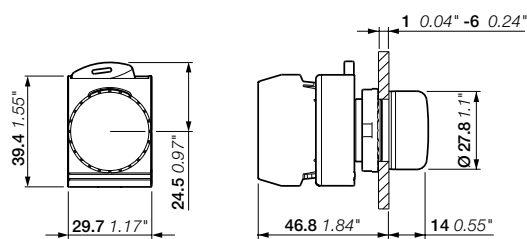
P9M-LAD

1SFC151584V0001

Description

Each reference includes the satin chrome metal body and nut together with the holder.

Color	Type	Order code	Pkg qty	Weight (1 pce) kg
Operator-Plastic lens type				
● Red	P9M-LRD	1SFA184791R9001	1	0.050
● Green	P9M-LVD	1SFA184792R9002	1	0.050
● Yellow	P9M-LGD	1SFA184793R9003	1	0.050
● Blue	P9M-LLD	1SFA184796R9004	1	0.050
○ White	P9M-LBD	1SFA184797R9005	1	0.050
○ Clear	P9M-LID	1SFA184798R9008	1	0.050
● Orange	P9M-LAD	1SFA184795R9009	1	0.050



P9ML..D

Dimensions (mm, inches)

Modular metal range

Non-illuminated selector switches–2-position

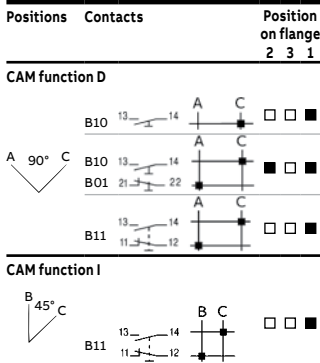


Description

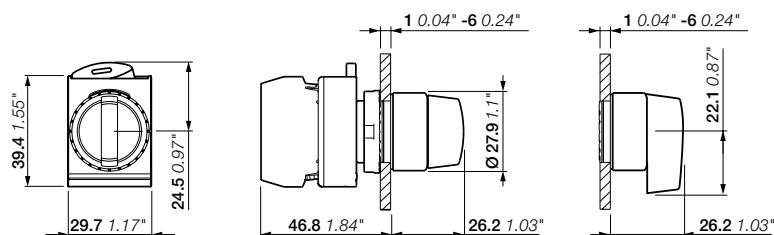
Each reference includes the satin chrome metal body and nut together with the holder.

Operating principle	Color	CAM function	Type	Order code	Pkg qty	Weight (1 pce) kg
Short handle						
	● Yellow	I	P9M-SMI0G	1SFA184123R9003	1	0.065
	● Black	I	P9M-SM10N	1SFA184120R9006	1	0.065
	● Red	D	P9M-SMD0R	1SFA184111R9001	1	0.065
	● Black	D	P9M-SMD0N	1SFA184110R9006	1	0.065
	● Red	I	P9M-SMI5R	1SFA184151R9001	1	0.065
	● Green	I	P9M-SMI5V	1SFA184152R9002	1	0.065
	● Black	I	P9M-SMI5N	1SFA184150R9006	1	0.065
	● Red	D	P9M-SMD5R	1SFA184141R9001	1	0.065
	● Yellow	D	P9M-SMD5G	1SFA184143R9003	1	0.065
	● Black	D	P9M-SMD5N	1SFA184140R9006	1	0.065
Long handle						
	● Black	I	P9M-SV10N	1SFA184371R9006	1	0.068
	● Yellow	D	P9M-SVD0G	1SFA184822R9003		
	● Black	D	P9M-SVD0N	1SFA184370R9006	1	0.068
	● Black	I	P9M-SVI5N	1SFA184374R9006	1	0.068
	● Black	D	P9M-SVD5N	1SFA184373R9006	1	0.068

Electrical diagram



Note: dot in this diagram = contact closed.
 B10 = P9B-10VN, P9B-10FN contact blocks
 B01 = P9B-01VN, P9B-01FN contact blocks
 B11 = P9B-11VN contact blocks



P9MSM, P9MSV
 Dimensions (mm, inches)

Modular metal range

Illuminated selector switches–2-position

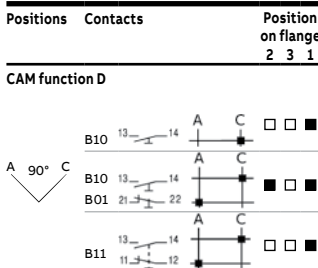


Description

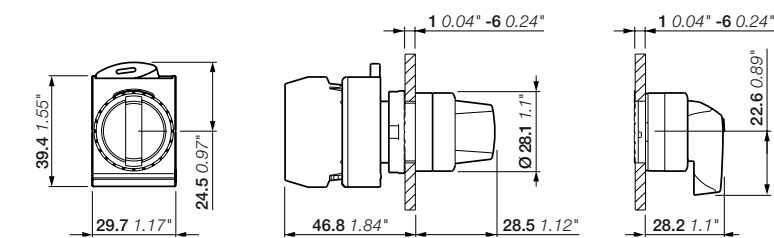
Each reference includes the satin chrome metal body and nut together with the holder.

Operating principle	Color	CAM function	Type	Order code	Pkg qty	Weight (1 pce) kg
Short handle						
	● Red	D	P9M-SLD0R	1SFA184591R9101	1	0.059
	● Green	D	P9M-SLD0V	1SFA184592R9102	1	0.059
	● Yellow	D	P9M-SLD0G	1SFA184593R9103	1	0.059
	● Blue	D	P9M-SLD0L	1SFA184596R9104	1	0.059
	○ White	D	P9M-SLD0B	1SFA184597R9105	1	0.059
	● Orange	D	P9M-SLD0A	1SFA184595R9109	1	0.059
	○ Clear	D	P9M-SLD0I	1SFA184598R9108	1	0.059
Long handle						
	● Red	D	P9M-SAD0R	1SFA184641R9101	1	0.060
	● Green	D	P9M-SAD0V	1SFA184642R9102	1	0.060
	● Blue	D	P9M-SAD0L	1SFA184646R9104	1	0.060
	○ White	D	P9M-SAD0B	1SFA184647R9105	1	0.060

Electrical diagram



Note: dot in this diagram = contact closed.
 B10 = P9B-10VN, P9B-10FN contact blocks
 B01 = P9B-01VN, P9B-01FN contact blocks
 B11 = P9B-11VN contact blocks



P9MSL, P9MSA
 Dimensions (mm, inches)

Modular metal range

Non-illuminated selector switches–3-position

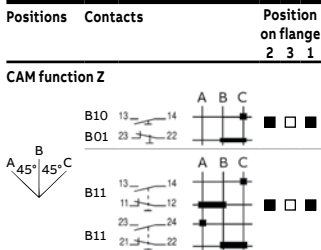


Description

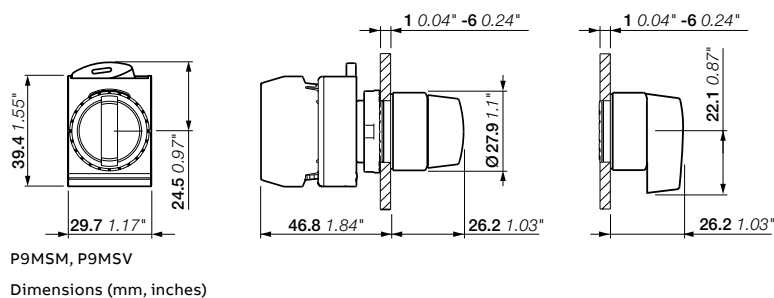
Each reference includes the satin chrome metal body and nut together with the holder.

Operating principle	Color	CAM function	Type	Order code	Pkg qty	Weight (1 pce) kg
Short handle						
	● Red	Z	P9M-SMZ0R	1SFA184201R9001	1	0.065
	● Black	Z	P9M-SMZ0N	1SFA184200R9006	1	0.065
	● Red	Z	P9M-SMZ3R	1SFA184321R9001	1	0.065
	● Black	Z	P9M-SMZ3N	1SFA184320R9006	1	0.065
	● Black	Z	P9M-SMZ5N	1SFA184280R9006	1	0.065
	● Red	Z	P9M-SMZ1R	1SFA184241R9001	1	0.065
	● Black	Z	P9M-SMZ1N	1SFA184240R9006	1	0.065
Long handle						
	● Red	Z	P9M-SVZ0R	1SFA184856R9001	1	0.068
	● Black	Z	P9M-SVZ0N	1SFA184379R9006	1	0.068
	● Black	Z	P9M-SVZ3N	1SFA184391R9006	1	0.068
	● Black	Z	P9M-SVZ5N	1SFA184387R9006	1	0.068
	● Black	Z	P9M-SVZ1N	1SFA184383R9006	1	0.068

Electrical diagram



Note: dot in this diagram = contact closed.
 B10 = P9B-10VN, P9B-10FN contact blocks
 B01 = P9B-01VN, P9B-01FN contact blocks
 B11 = P9B-11VN contact blocks



Modular metal range

Illuminated selector switches–3-position

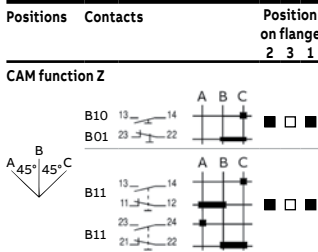


Description

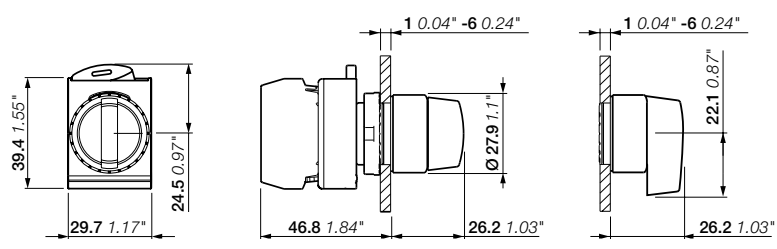
Each reference includes the satin chrome metal body and nut together with the holder.

Operating principle	Color	CAM function	Type	Order code	Pkg qty	Weight (1 pce) kg	
Short handle							
	● Red	Z	P9M-SLZ0R	1SFA184601R9101	1	0.065	
	● Green	Z	P9M-SLZ0V	1SFA184602R9102	1	0.065	
	● Yellow	Z	P9M-SLZ0G	1SFA184603R9103	1	0.065	
	● Blue	Z	P9M-SLZ0L	1SFA184606R9104	1	0.065	
	○ White	Z	P9M-SLZ0B	1SFA184607R9105	1	0.065	
	● Orange	Z	P9M-SLZ0A	1SFA184605R9109	1	0.065	
	● Red	Z	P9M-SLZ3R	1SFA184631R9101	1	0.065	
	● Green	Z	P9M-SLZ3V	1SFA184632R9102	1	0.065	
	● Yellow	Z	P9M-SLZ3G	1SFA184633R9103	1	0.065	
	● Blue	Z	P9M-SLZ3L	1SFA184636R9104	1	0.065	
	○ White	Z	P9M-SLZ3B	1SFA184637R9105	1	0.065	
	● Orange	Z	P9M-SLZ3A	1SFA184635R9109	1	0.065	
	○ Clear	Z	P9M-SLZ3I	1SFA184638R9108	1	0.065	
	● Red	Z	P9M-SLZ5R	1SFA184621R9101	1	0.065	
	● Green	Z	P9M-SLZ5V	1SFA184622R9102	1	0.065	
	● Blue	Z	P9M-SLZ5L	1SFA184626R9104	1	0.065	
	○ Clear	Z	P9M-SLZ5I	1SFA184628R9108	1	0.065	
	● Red	Z	P9M-SLZ1R	1SFA184611R9101	1	0.065	
	● Green	Z	P9M-SLZ1V	1SFA184612R9102	1	0.065	
	● Yellow	Z	P9M-SLZ1G	1SFA184613R9103	1	0.065	
	● Blue	Z	P9MSLZ1L	1SFA184616R9104	1	0.065	
	○ White	Z	P9M-SLZ1B	1SFA184617R9105	1	0.065	
	Long handle						
		● Green	Z	P9M-SAZ0V	1SFA184652R9102	1	0.068
		○ White	Z	P9M-SAZ0B	1SFA184657R9105	1	0.068
	● Green	Z	P9M-SAZ3V	1SFA184682R9102	1	0.068	
	○ White	Z	P9M-SAZ3B	1SFA184687R9105	1	0.068	
	● Orange	Z	P9M-SAZ3A	1SFA184685R9109	1	0.068	

Electrical diagram



Note: dot in this diagram = contact closed.
 B10 = P9B-10VN, P9B-10FN contact blocks
 B01 = P9B-01VN, P9B-01FN contact blocks
 B11 = P9B-11VN contact blocks



P9MSL, P9MSA
 Dimensions (mm, inches)

Modular metal range

Non-illuminated selector switches–4-position



1SFCL51471V0001

P9M-SMX0N with holder



P9M-SMX0N

1SFCL51508V0001

Description

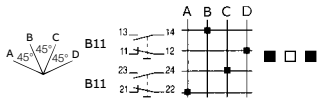
Each reference includes the satin chrome metal body and nut together with the holder.

Operating principle	Color	CAM function	Type	Order code	Pkg qty	Weight (1 pce) kg
Short handle						
	● Black	X	P9M-SMX0N	1SFA184397R9006	1	0.065
	● Black	X	P9M-SMX5N	1SFA184340R9006	1	0.065
Long handle						
	● Black	X	P9M-SVX0N	1SFA184392R9006	1	0.068
	● Black	X	P9M-SVX5N	1SFA184393R9006	1	0.068

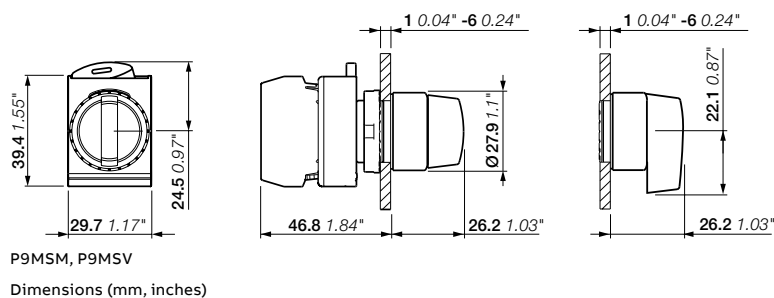
Electrical diagram

Positions	Contacts	Position on flange
		2 3 1

CAM function X



Note: dot in this diagram = contact closed.
 B10 = P9B-10VN, P9B-10FN contact blocks
 B01 = P9B-01VN, P9B-01FN contact blocks
 B11 = P9B-11VN contact blocks



Modular metal range

Non-illuminated selector switches–5-position



1SFC1511V0001

P9MSMYOR

Description

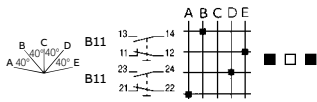
Each reference includes the satin chrome metal body and nut together with the holder.

Operating principle	Color	CAM function	Type	Order code	Pkg qty	Weight (1 pce) kg
Short handle						
	● Black	W	P9M-SMW0N	1SFA184360R9006	1	0.065
	● Red	Y	P9M-SMY0R	1SFA184351R9001	1	0.065
	● Black	Y	P9M-SMY0N	1SFA184350R9006	1	0.065

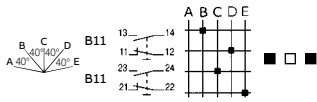
Electrical diagram

Positions	Contacts	Position on flange
		2 3 1

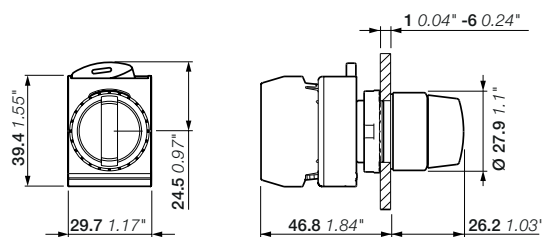
CAM function Y



CAM function W



Note: dot in this diagram = contact closed.
 B10 = P9B-10VN, P9B-10FN contact blocks
 B01 = P9B-01VN, P9B-01FN contact blocks
 B11 = P9B-11VN contact blocks



P9MSM
 Dimensions (mm, inches)

Modular metal range

Key-operated selector switches–2-position



1SFC151469V0001

P9M-SCI0C37 with holder



1SFC151470V0001

P9M-SCI0C95

Description

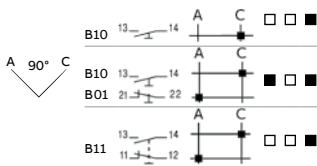
Each reference includes the satin chrome metal body and nut together with the holder, 2 keys included.

Operating principle	Key code	Key head color	CAM function	Type	Order code	Pkg qty	Weight (1 pce) kg
 Key can be removed in B only	37	Red/Metal	I	P9M-SCI0C37	1SFA192162R9006	1	0.120
	01	Metal	I	P9M-SCI0C01	1SFA192150R9006	1	0.120
	95	Metal	I	P9M-SCI0C95	1SFA184403R9006	1	0.120
 Key can be removed in C only	01	Metal	I	P9M-SCI0E01	1SFA192165R9006	1	0.120
	95	Metal	I	P9M-SCI0E95	1SFA184404R9006	1	0.120
 Key can be removed in B and C	95	Metal	I	P9M-SCI0N95	1SFA184405R9006	1	0.120
 Key can be removed in A only	37	Red/Metal	D	P9M-SCD0A37	1SFA192117R9006	1	0.120
	01	Metal	D	P9M-SCD0A01	1SFA192105R9006	1	0.120
	95	Metal	D	P9M-SCD0A95	1SFA184400R9006	1	0.120
 Key can be removed in C only	01	Metal	D	P9M-SCD0E01	1SFA192120R9006	1	0.120
	95	Metal	D	P9M-SCD0E95	1SFA184401R9006	1	0.120
 Key can be removed in A and C positions	37	Red/Metal	D	P9M-SCD0K37	1SFA192147R9006	1	0.120
	01	Metal	D	P9M-SCD0K01	1SFA192135R9006	1	0.120
	95	Metal	D	P9M-SCD0K95	1SFA184402R9006	1	0.120
 Key can be removed in B position	37	Red/Metal	I	P9M-SCI5C37	1SFA192267R9006	1	0.120
	01	Metal	I	P9M-SCI5C01	1SFA192255R9006	1	0.120
	95	Metal	I	P9M-SCI5C95	1SFA184410R9006	1	0.120
 Key can be removed in A position	37	Red/Metal	D	P9M-SCD5A37	1SFA192252R9006	1	0.120
	01	Metal	D	P9M-SCD5A01	1SFA192240R9006	1	0.120
	95	Metal	D	P9M-SCD5A95	1SFA184409R9006	1	0.120
	33	Yellow	D	P9MSCD5A33	1SFA192250R9006	1	0.120

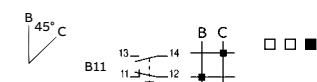
Electrical diagram

Positions	Contacts	Position on flange
		2 3 1

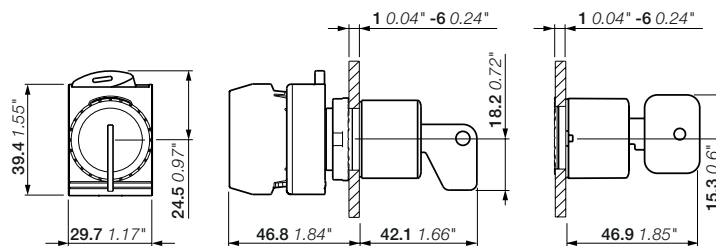
CAM function D



CAM function I



Note: dot in this diagram = contact closed.
 B10 = P9B-10VN, P9B-10FN contact blocks
 B01 = P9B-01VN, P9B-01FN contact blocks
 B11 = P9B-11VN contact blocks



P9MSC..01, P9MSC..95
 Dimensions (mm, inches)

P9MSC..37

Modular metal range

Key-operated selector switches–3-position



1SFC151469V0001

P9M-SCZ0T37 with holder

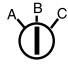
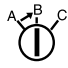


P9M-SCZ0T95

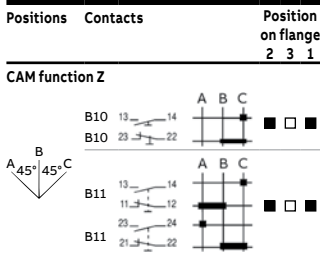
1SFC151470V0001

Description

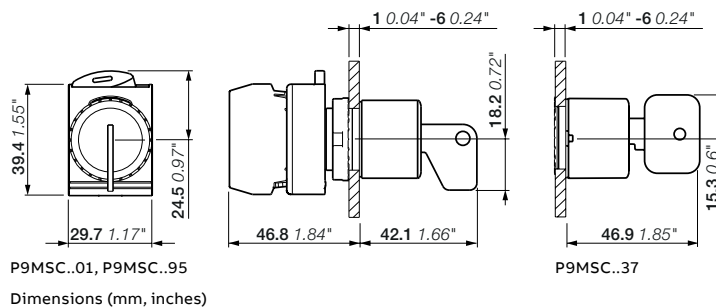
Each reference includes the satin chrome metal body and nut together with the holder, 2 keys included.

Operating principle	Key code	Key head color	CAM function	Type	Order code	Pkg qty	Weight (1 pce) kg
	37	Red/Metal	Z	P9M-SCZ0T37	1SFA192702R9006	1	0.120
	01	Metal	Z	P9M-SCZ0T01	1SFA192690R9006	1	0.120
	95	Metal	Z	P9M-SCZ0T95	1SFA184439R9006	1	0.120
Key can be removed in all positions							
Key can be removed in A position only	95	Metal	Z	P9M-SCZ0A95	1SFA184433R9006	1	0.120
Key can be removed in B position only	95	Metal	Z	P9M-SCZ0C95	1SFA184434R9006	1	0.120
Key can be removed in A and B positions	95	Metal	Z	P9M-SCZ0H95	1SFA184436R9006	1	0.120
Key can be removed in B and C positions	95	Metal	Z	P9M-SCZ0N95	1SFA184438R9006	1	0.120
Key can be removed in position B only							
	95	Metal	Z	P9M-SCZ1C95	1SFA184449R9006	1	0.120
Key can be removed in A and C positions	95	Metal	Z	P9M-SCZ1N95	1SFA184451R9006	1	0.120

Electrical diagram



Note: dot in this diagram = contact closed.
 B10 = P9B-10VN, P9B-10FN contact blocks
 B01 = P9B-01VN, P9B-01FN contact blocks
 B11 = P9B-11VN contact blocks



03

Modular metal range

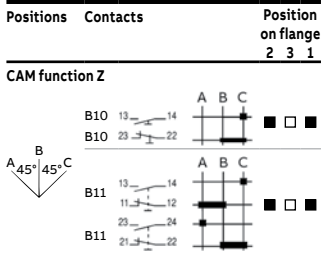
Key-operated selector switches–3-position



1SFC151470V0001

P9M-SCZ3C01 with holder

Electrical diagram

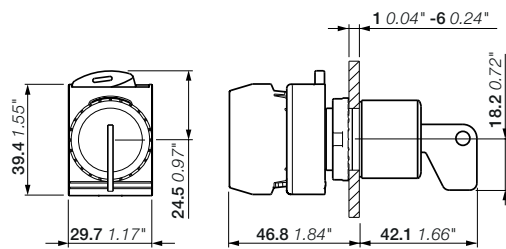


Note: dot in this diagram = contact closed.
 B10 = P9B-10VN, P9B-10FN contact blocks
 B01 = P9B-01VN, P9B-01FN contact blocks
 B11 = P9B-11VN contact blocks

Description

Each reference includes the satin chrome metal body and nut together with the holder, 2 keys included.

Operating principle	Key code	Key head color	CAM function	Type	Order code	Pkg qty	Weight (1 pce) kg
<p>Key can be removed in B position only</p>	01	Metal	Z	P9M-SCZ3C01	1SFA193110R9006	1	0.120
	95	Metal	Z	P9M-SCZ3C95	1SFA184467R9006	1	0.120
<p>Key can be removed in A position only</p>	01	Metal	Z	P9M-SCZ5A01	1SFA193020R9006	1	0.120
	95	Metal	Z	P9M-SCZ5A95	1SFA184461R9006	1	0.120
<p>Key can be removed in A and B positions</p>	01	Metal	Z	P9M-SCZ5H01	1SFA193050R9006	1	0.120
	95	Metal	Z	P9M-SCZ5H95	1SFA184463R9006	1	0.120
<p>Key can be removed in B position only</p>	95	Metal	Z	P9M-SCZ5C95	1SFA184462R9006	1	0.120



P9MSC..01, P9MSC..95
 Dimensions (mm, inches)

Modular metal range

Key-operated selector switches–4-position



1SFC151470V0001

P9M-SCX0A95 with holder

Description

Each reference includes the satin chrome metal body and nut together with the holder, 2 keys included.

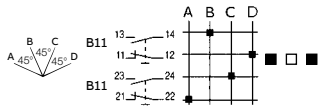
Operating principle	Key code	Key head color	CAM function	Type	Order code	Pkg qty	Weight (1 pce) kg
	95	Metal	X	P9M-SCX0A95	1SFA184468R9006	1	0.120
	Key can be removed in A position						
	01	Metal	X	P9M-SCX0Z01	1SFA193335R9006	1	0.120
	Key can be removed in all positions						
	95	Metal	X	P9M-SCX0Z95	1SFA184482R9006	1	0.120

1SFC151516V0001

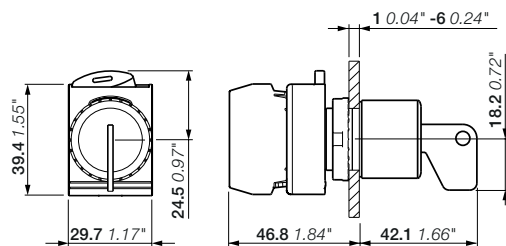
Electrical diagram

Positions	Contacts	Position on flange
		2 3 1

CAM function X



Note: dot in this diagram = contact closed.
B11 = P9B-11VN contact blocks



P9MSC..01, P9MSC..95
Dimensions (mm, inches)

Modular metal range

Joysticks–2-position and 4-position



P9M-MN2A with holder



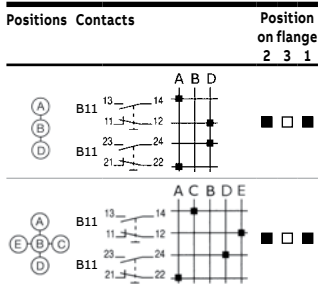
P9M-MB2FG

Description

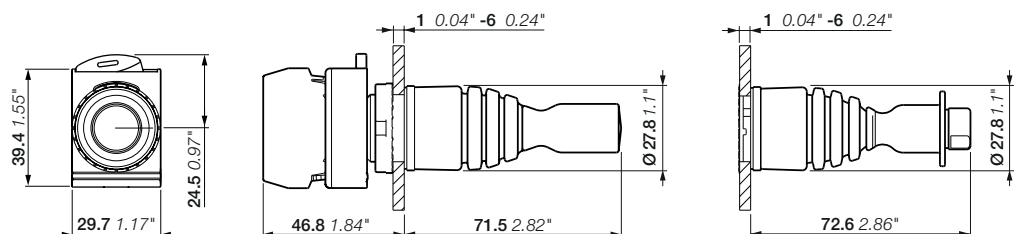
Each reference includes the satin chrome metal body and nut together with the holder.

Position	Material Color	Type	Order code	Pkg qty	Weight (1 pce) kg
Without latching function					
↑ ↓	Rubber/Black	P9M-MN2F	1SFA184700R9006	1	0.090
↑ ● ↓	Rubber/Black	P9M-MN2T	1SFA184701R9006	1	0.090
↑ ● ↓	Rubber/Black	P9M-MN2A	1SFA184702R9006	1	0.090
↑ ● ↓	Rubber/Black	P9M-MN2B	1SFA184703R9006	1	0.090
↑ ← ● → ↓	Rubber/Black	P9M-MN4F	1SFA184720R9006	1	0.090
↑ ← ● → ↓	Rubber/Black	P9M-MN4T	1SFA184721R9006	1	0.090
↑ ← ● → ↓	Silicone/Grey	P9M-MN4TG	1SFA184716R9006	1	0.090
With latching function					
↑ ● ↓	Rubber/Black	P9M-MB2F	1SFA184710R9006	1	0.090
↑ ● ↓	Silicone/Grey	P9M-MB2FG	1SFA184709R9006	1	0.090
↑ ● ↓	Rubber/Black	P9M-MB2T	1SFA184711R9006	1	0.090
↑ ● ↓	Rubber/Black	P9M-MB2A	1SFA184712R9006	1	0.090
↑ ← ● → ↓	Rubber/Black	P9M-MB4F	1SFA184740R9006	1	0.090
↑ ← ● → ↓	Rubber/Black	P9M-MB4T	1SFA184741R9006	1	0.090
↑ ← ● → ↓	Silicone/Grey	P9M-MB4TG	1SFA184744R9006	1	0.090

Electrical diagram



Note: dot in this diagram = contact closed.
B11= P9B-11VN contact blocks



P9MMN, P9MMB
Dimensions (mm, inches)

Modular metal range

Joysticks–Accessories



15FC151435V0001

P9A-RSCMN



15FC151614V0001

P9A-RSCMB



15FC151434V0001

P9A-RSGMN



15FC151613V0001

P9A-RSGMB

Accessories

Description	Color	Type	Order code	Pkg qty	Weight (1 pce) kg
Rubber boot for joystick without latching	● Black	P9A-RSCMN	1SFA188043R8000	5	0.008
Rubber boot for joystick with latching	● Black	P9A-RSCMB	1SFA188044R8000	5	0.008
Silicone boot for joystick without latching	● Grey	P9A-RSGMN	1SFA187495R8000	5	0.008
Silicone boot for joystick with latching	● Grey	P9A-RSGMB	1SFA187496R8000	5	0.008

Modular metal range

Toggle switches



1SFC151480V0001

P9M-CB
with holder

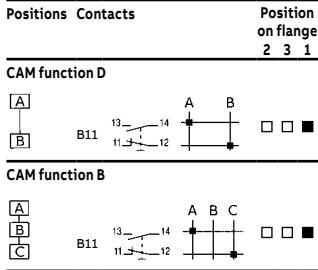
03

Description

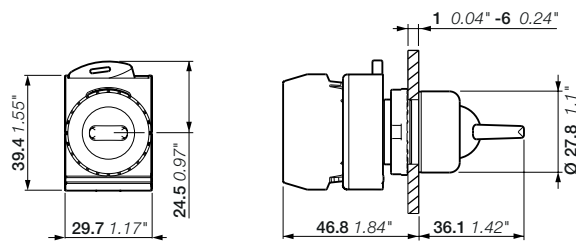
Each reference includes the satin chrome metal body and nut together with the holder.

Operating principle	CAM function	Type	Order code	Pkg qty	Weight (1 pce) kg
2 position					
	D	P9M-CD	1SFA184695R9006	1	0.073
3 position					
	B	P9M-CB	1SFA184696R9006	1	0.073
	B	P9M-CC	1SFA184697R9006	1	0.073

Contacts actuated



B11 = P9B-11VN contact blocks



P9MC
Dimensions (mm, inches)

Modular metal range

Selector pushbuttons



1SFC151474V0001

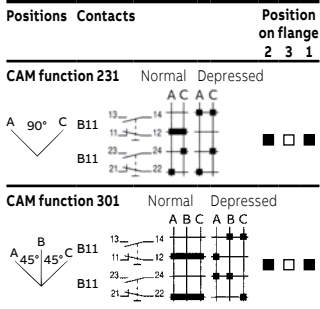
P9M-PS22G with holder

Description

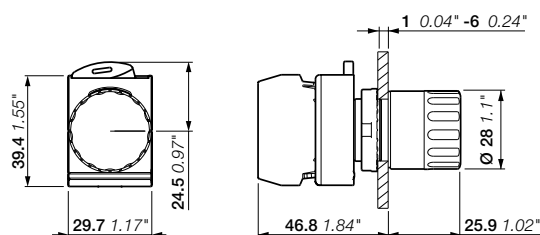
Each reference includes the satin chrome metal body and nut together with the holder.

Operating principle	CAM function	Type	Order code	Pkg qty	Weight (1 pce) kg
2 position					
	231	P9M-PS22G	1SFA184691R9006	1	0.069
3 position					
	301	P9M-PS34G	1SFA184693R9006	1	0.065

Electrical diagram



Note: dot in this diagram = contact closed.
B11 = P9B-11VN contact blocks



P9MPS
Dimensions (mm, inches)

03

Modular metal range

Holders and contact blocks for front mounting



1SFC151627V0001

P9A-CFS3



1SFC151626V0001

P9A-CFS5



1SFC151611V0001

P9B-10VN



1SFC15160V0001

P9B-20VN



1SFC151611V0001

P9B-10VA



1SFC151612V0001

P9B-10FN

Screw terminals

Description	Contacts	Type	Order code	Pkg qty	Weight (1 pce)
					kg

Holders

3-position	- -	P9A-CFS3	1SFA187841R8000	1	0.009
5-position	- -	P9A-CFS5	1SFA187842R8000	1	0.016

Single contact blocks

For 3 & 5-position holder	1 0	P9B-10VN	1SFA187002R8001	1	0.009
	1 0	P9B-10VN-AA	1SFA215832R8001	200	0.009
	0 1	P9B-01VN	1SFA187001R8010	1	0.009

Double contact blocks

For 3 & 5-position holder	2 0	P9B-20VN	1SFA187009R8002	1	0.016
	0 2	P9B-02VN	1SFA187008R8020	1	0.016
	0 2	P9B-02VN-AA	1SFA205236R8020	200	0.016
	1 1	P9B-11VN	1SFA187000R8011	1	0.016
	1 1	P9B-11VN-AA	1SFA242712R8011	500	0.016

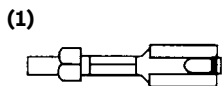
Single contact blocks with N.O. early make contacts and N.C. late break contacts

For 3 & 5-position holder	1 0	P9B-10VA	1SFA187004R8201	1	0.009
	0 1	P9B-01VR	1SFA187003R8110	1	0.010

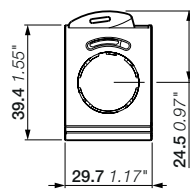
Faston terminals

Single contact blocks (1)

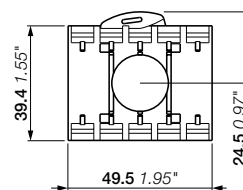
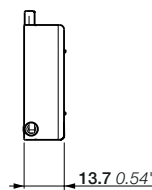
For 3 & 5-position holder	1 0	P9B-10FN	1SFA187013R8301	1	0.009
	1 0	P9B-10FN-AA	1SFA215835R8301	200	0.009
	0 1	P9B-01FN	1SFA187012R8310	1	0.009



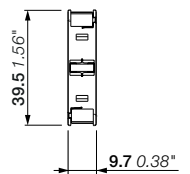
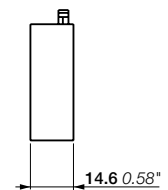
1x (6.35 x 0.8 mm)
2x (2.8 x 0.8 mm)



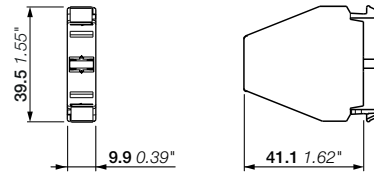
P9A-CFS3



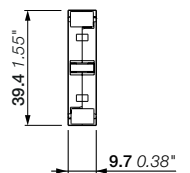
P9A-CFS5



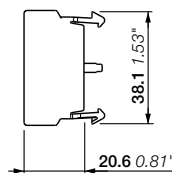
P9B-10VN, P9B-01VN, P9B-10VA, P9B-01VR



P9B-20VN, P9B-02VN, P9B-11VN



P9B-10FN, P9B-01FN



Dimensions (mm, inches)

Modular metal range

Power supplies



P9P-DNV0



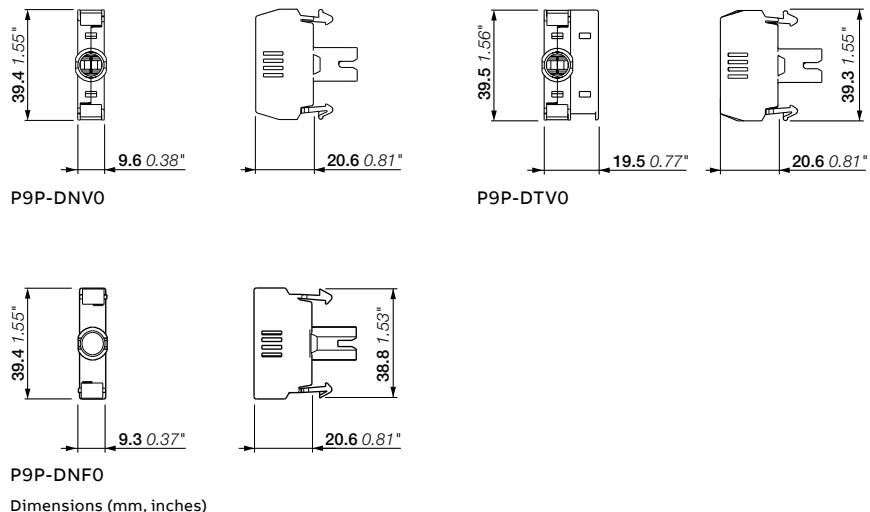
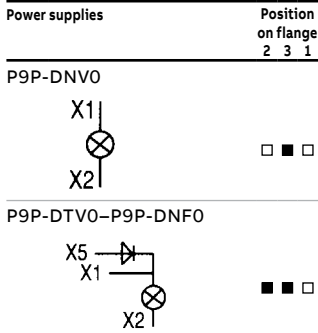
P9P-DTV0



P9P-DNF0

Description	Type	Order code	Pkg qty	Weight (1 pce) kg
Screw terminals				
Full voltage IEC: BA9S max 380 V–2 W bulb not included UL–CSA: BA9S max 250 V–2 W bulb not included	P9P-DNV0	1SFA187020R1080	1	0.010
	P9P-DNV0-AA	1SFA215831R1000	100	0.010
Test full voltage IEC: BA9S max 380 V–2 W bulb not included UL–CSA: BA9S max 250 V–2 W bulb not included	P9P-DTV0	1SFA187027R8000	1	0.018
Note: P9P-DTV0 are not included in UL listing.				
Faston terminals				
Full voltage IEC: BA9S max 380 V–2 W bulbs not included UL–CSA: BA9S max 250 V...–2 W bulbs not included	P9P-DNF0	1SFA187055R1300	1	0.013
	P9P-DNF0-AA	1SFA215834R1300	100	0.013

Contacts actuated



Modular metal range

LED bulbs for power supplies



BA9S-6LEDB

1SFC151630V0001

03

Color	Type	Order code	Pkg qty	Weight (1 pce) kg
Rated voltage 6 V AC/DC				
● Red	BA9S-6LEDR	1SFA187163R1001	5	0.002
● Green	BA9S-6LEDV	1SFA187164R1002	5	0.002
● Yellow	BA9S-6LEDG	1SFA187161R1003	5	0.002
● Blue	BA9S-6LEDL	1SFA187162R1004	5	0.002
○ White	BA9S-6LEDB	1SFA187160R1005	5	0.002
Rated voltage 12 V AC/DC				
● Red	BA9S-12LEDR	1SFA187168R1011	5	0.002
● Green	BA9S-12LEDV	1SFA187169R1012	5	0.002
● Yellow	BA9S-12LEDG	1SFA187166R1013	5	0.002
● Blue	BA9S-12LEDL	1SFA187167R1014	5	0.002
○ White	BA9S-12LEDB	1SFA187165R1015	5	0.002
Rated voltage 24 V AC/DC				
● Red	BA9S-24LEDR	1SFA187173R1021	5	0.002
● Green	BA9S-24LEDV	1SFA187174R1022	5	0.002
● Yellow	BA9S-24LEDG	1SFA187171R1023	5	0.002
● Blue	BA9S-24LEDL	1SFA187172R1024	5	0.002
○ White	BA9S-24LEDB	1SFA187170R1025	5	0.002
Rated voltage 48 V AC/DC				
● Red	BA9S-48LEDR	1SFA187178R1031	5	0.002
● Green	BA9S-48LEDV	1SFA187179R1032	5	0.002
● Yellow	BA9S-48LEDG	1SFA187176R1033	5	0.002
● Blue	BA9S-48LEDL	1SFA187177R1034	5	0.002
○ White	BA9S-48LEDB	1SFA187175R1035	5	0.002
Rated voltage 60 V AC/DC				
○ White	BA9S-60LED	1SFA187191R1045	5	0.002
Rated voltage 110–120 V AC/DC				
● Red	BA9S-110LEDR	1SFA187183R1041	5	0.002
● Green	BA9S-110LEDV	1SFA187184R1042	5	0.002
● Yellow	BA9S-110LEDG	1SFA187181R1043	5	0.002
● Blue	BA9S-110LEDL	1SFA187182R1044	5	0.002
○ White	BA9S-110LEDB	1SFA187180R1045	5	0.002
Rated voltage 130 V AC/DC				
○ White	BA9S-130LED	1SFA187190R1045	5	0.002
Rated voltage 230 V AC				
● Red	BA9S-230LEDR	1SFA187188R1051	5	0.002
● Green	BA9S-230LEDV	1SFA187189R1052	5	0.002
● Yellow	BA9S-230LEDG	1SFA187186R1053	5	0.002
● Blue	BA9S-230LEDL	1SFA187187R1054	5	0.002
○ White	BA9S-230LEDB	1SFA187185R1055	5	0.002

Modular metal range

LED blocks for front mounting



1SFC151499W0001

P9P-LNVDR

Standard Light

Color	Type	Order code	Pkg qty	Weight (1 pce) kg
Rated voltage 24 V AC/DC				
● Red	P9P-LNVDR	1SFA197004R1011	1	0.020
● Green	P9P-LNVDV	1SFA197005R1012	1	0.020
● Yellow	P9P-LNVDG	1SFA197002R1013	1	0.020
● Blue	P9P-LNVDL	1SFA197003R1014	1	0.020
○ White	P9P-LNVDB	1SFA197001R1015	1	0.020

Rated voltage 120 V AC

● Red	P9P-LNVJR	1SFA197010R1041	1	0.020
● Green	P9P-LNVJV	1SFA197011R1042	1	0.020
● Yellow	P9P-LNVJG	1SFA197008R1043	1	0.020
● Blue	P9P-LNVJL	1SFA197009R1044	1	0.020
○ White	P9P-LNVJB	1SFA197007R1045	1	0.020

Rated voltage 230 V AC

● Red	P9P-LNVNR	1SFA197016R1071	1	0.020
● Green	P9P-LNVNV	1SFA197017R1072	1	0.020
● Yellow	P9P-LNVNG	1SFA197014R1073	1	0.020
● Blue	P9P-LNVNL	1SFA197015R1074	1	0.020
○ White	P9P-LNVNB	1SFA197013R1075	1	0.020

Flashing Light

Color	Type	Order code	Pkg qty	Weight (1 pce) kg
-------	------	------------	---------	-------------------

Rated voltage 24 V AC/DC

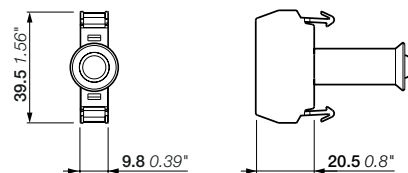
● Red	P9P-LFVDR	1SFA197022R1011	1	0.020
● Green	P9P-LFVDV	1SFA197023R1012	1	0.020
● Yellow	P9P-LFVDG	1SFA197020R1013	1	0.020
● Blue	P9P-LFVDL	1SFA197021R1014	1	0.020
○ White	P9P-LFVDB	1SFA197019R1015	1	0.020
● Orange	P9P-LFVDA	1SFA197018R1019	1	0.020

Rated voltage 120 V AC

● Red	P9P-LFVJR	1SFA197028R1041	1	0.020
● Yellow	P9P-LFVJG	1SFA197026R1043	1	0.020
○ White	P9P-LFVJB	1SFA197025R1045	1	0.020

Rated voltage 230 V AC

● Red	P9P-LFVNR	1SFA197034R1071	1	0.020
● Yellow	P9P-LFVNG	1SFA197032R1073	1	0.020
○ White	P9P-LFVNB	1SFA197031R1075	1	0.020



P9PL

Dimensions (mm, inches)

Modular metal range

Accessories



P9A-CRCL

1SFC151463V0001



P9A-CDPP

1SFC151628V0001



P9A-CWAF

1SFC151629V0001



P9A-RAM32

1SFC151464V0001



P9A-CA6

1SFC151462V0001



080CP-R

1SFC151460V0001




080CP-N

1SFC151461V0001



P9A-RCST

1SFC151465V0001

Description	Contacts	Type	Order code	Pkg qty	Weight (1 pce)
					kg
Protection cover					
Protection cover padlockable for standard pushbuttons, illuminated pushbuttons, selector switches, illuminated selector switches		P9A-CRCL	1SFA187840R8000	1	0.039
Maintained accessory					
Device for standard pushbuttons, illuminated pushbuttons: To be used only with contact blocks P9B-01VN, P9B-01VR, P9B-10VA and P9B-01FN		P9A-CDPP	1SFA187843R8000	1	0.012
Tools					
Locking ring wrench		P9A-CWAF	1SFA187845R8000	1	0.037
Adapter ring					
Adapter ring for 30 mm hole to mount P9 22 mm in a 30 mm hole		P9A-RAM32	1SFA188801R8000	5	0.006
Terminal adapter					
PCB adapter for faston contacts		P9A-CA6	1SFA188804R8000	5	0.051

Rubber protective caps (IP66) for standard pushbuttons

Flush pushbuttons

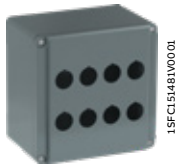
Description	Type	Order code	Pkg qty	Weight (1 pce)
nutrilic rubber				kg
● Red	080CP-R	1SFA170191R8000	5	0.004
● Green	080CP-V	1SFA170192R8000	5	0.004
● Black	080CP-N	1SFA170190R8000	5	0.004
○ Clear	080CP-T	1SFA170198R8000	5	0.004

Extended pushbuttons

○ Clear	P9A-RCST	1SFA187490R8000	5	0.004
---------	----------	-----------------	---	-------

Modular metal range

Metal enclosures with holes and accessories



080SP-8

1SFC151481V001



080SP-12

1SFC151489W001



080SP-18

1SFC151488R001



080SP-24

1SFC151495V001

Enclosure with holes for pilot devices

Empty enclosures in aluminum, IP66. Grey color.

Description	Hole types	Type	Order code	Pkg qty	Weight (1 pce) kg
With hole for cable gland					
1-seat	1	080SP-1	1SFA170801R1001	1	0.313
2-seat	2	080SP-2	1SFA170802R1002	1	0.440
3-seat	3	080SP-3	1SFA170803R1003	1	0.695
4-seat	4	080SP-4	1SFA170804R1004	1	0.435
6-seat	6	080SP-6	1SFA170806R1006	1	0.694
8-seat	8	080SP-8	1SFA170807R1008	1	0.932
12-seat	12	080SP-12	1SFA170808R1012	1	1.685
18-seat	18	080SP-18	1SFA170809R1018	1	2.891
24-seat	24	080SP-24	1SFA170810R1024	1	2.912
With hole for cable gland and deep base					
1-seat	1M	080SP-1M	1SFA170831R1001	1	0.402
2-seat	2M	080SP-2M	1SFA170832R1002	1	0.540
4-seat	4M	080SP-4M	1SFA170834R1004	1	0.530
Without hole for cable gland					
1-seat	1	080SP-1SFE	1SFA170836R3001	1	0.335
2-seat	2	080SP-2SFE	1SFA170842R3002	1	0.442
3-seat	3	080SP-3SFE	1SFA170848R3003	1	0.715
4-seat	4	080SP-4SFE	1SFA170850R3004	1	0.453
6-seat	6	080SP-6SFE	1SFA170852R3006	1	0.705
8-seat	8	080SP-8SFE	1SFA170854R3008	1	0.990
12-seat	12	080SP-12SFE	1SFA170857R3012	1	1.737
Without hole for cable gland and deep base					
1-seat	1M	080SP-1MSFE	1SFA170839R3001	1	0.416

Modular metal range

Metal enclosures without holes



080SP-1SFC

1SFCL51642V0001



080SP-3SFC

1SFCL51634V0001



080SP-8SF

1SFCL51482V0001

Enclosure without holes for pilot devices

Empty enclosures in aluminum, IP66. Grey color.

Description	Size type	Type	Order code	Pkg qty	Weight (1 pce) kg
With hole for cable gland					
	1	080SP-1SFC	1SFA170835R2000	1	0.324
	2	080SP-2SFC	1SFA170841R2000	1	0.444
	3	080SP-3SFC	1SFA170847R2000	1	0.708
	8	080SP-8SFC	1SFA170853R2000	1	0.977
	12	080SP-12SFC	1SFA170856R2000	1	1.720
	18	080SP-18SFC	1SFA170859R2000	1	2.948
With hole for cable gland and deep base					
	1M	080SP-1MSFC	1SFA170838R2000	1	0.405
	2M	080SP-2MSFC	1SFA170844R2000	1	0.542
Without hole for cable gland					
	1	080SP-1SF	1SFA170837R4000	1	0.333
	2	080SP-2SF	1SFA170843R4000	1	0.446
	3	080SP-3SF	1SFA170849R4000	1	0.735
	8	080SP-8SF	1SFA170855R4000	1	1.019
	12	080SP-12SF	1SFA170858R4000	1	1.775
	18	080SP-18SF	1SFA170861R4000	1	3.050
Without hole for cable gland and deep base					
	1M	080SP-1MSF	1SFA170840R4000	1	0.414
	2M	080SP-2MSF	1SFA170846R4000	1	0.553

Modular metal range

Technical data

Standards and approvals










IEC / EN 60947-1	Low Voltage switchgear and control gear–Part 1: General rules
IEC / EN 60947-5-1	Low Voltage switchgear and control gear–part 5-1: control circuit devices and switching elements–Electromechanical control circuit devices
IEC / EN 60073	Basic and safety principles for man-machine interface, marking and identification coding principles for indicators and actuators
IEC / EN 60529	Degrees of protection provided by enclosures (IP code)
UL 508	Industrial control equipment
CSA C22.2 No 14	Industrial control equipment

Environmental data

Degrees of protection

Operators	IEC/EN DIN	UL/CSA
Modular metal range: P9M	IP66	Type 1, 3, 3R, 3S, 4, 4X, 12, 13
Contact block: P9B	IP2x	-
Metallic enclosures: 080SP	IP66, IP69K	-
For size 080SP-1, 1M, 2, 2M, 3, 4, 4M or 6	IP66, IP69K	Type 1, 3, 3R, 3S, 4, 4X, 12, 13

Connecting capacity

	Solid/stranded	1 x 0.75...2.5 mm ²
		2 x 0.75...2.5 mm ²
	Flexible	1 x 0.75...2.5 mm ²
		2 x 0.75...2.5 mm ²
	Flexible with non insulated ferrule	1 x 0.75...2.5 mm ²
		2 x 0.75...2.5 mm ²
	Flexible with insulated ferrule	1 x 0.75...2.5 mm ²
		2 x 0.75...2.5 mm ²
	Lugs	L < 7.0 mm l > 3.5 mm
Connection capacity acc. to UL / CSA		AWG 18...14
Stripping length		10 mm

Tightening torques

Cable terminals M3.5	0.9 Nm
Recommended screwdriver for cable terminal	Pozidriv 2
Operators locking nut	Min. 2 Nm / Max. 2.3 Nm

Electrical data

P9B Standard contact blocks

Self cleaning silver contacts, NC contact with positive opening.

Ratings as per IEC 60947-5-1

Rated insulation voltage, U _i	690 V	
Rated thermal current, I _{th}	10 A	
Rated operational current, I _e Utilization category AC 15,	at: 24 V	10 A
	at: 48 V	10 A
	at: 60 V	10 A
	at: 110 V	6 A
	at: 220V	3 A
	at: 380 V	2 A
	at: 500 V	1.5 A
	at: 600 V	1.2 A
Rated operational current, I _e Utilization category DC 13,	at: 24 V	2.5 A
	at: 48 V	1.4 A
	at: 60 V	1 A
	at: 110 V	0.55 A
	at: 220V	0.27 A
	at: 300 V	0.2 A
Rated impulse withstand voltage	U _{imp}	4 kV
Rated frequency	50/60 Hz	

Performances according to CSA and UL

AC heavy duty	(A600)
DC standard duty	(Q300)

Number of electrical contacts

Holder	Standard 3 positions	Optional 5 positions
Momentary pushbuttons		
Momentary mushroom pushbuttons	Max 6	Max 8
Standard selector switches		
Key selector switches	Max 4	Max 8
Joysticks		
Selector pushbuttons	Max 4	-
Toggle switches		
Maintained mushroom pushbuttons	Max 4	-
Illuminated pushbuttons		
Illuminated momentary mushroom pushbuttons	Max 4	Max 4
Illuminated selector switches		
Illuminated maintained mushroom pushbuttons	Max 2	Max 2

Short circuit protection

With fuses 16 A gG acc. to IEC 60269-1 and IEC 60269-3

Minimum switching capacity

Standard contact blocks	12 V DC	5 mA
-------------------------	---------	------

Modular metal range

Technical data

Mechanical endurance

Joysticks	500 000 operations
Key pushbuttons	500 000 operations
Toggle switches	
Illuminated selector switches	
Maintained accessory	
Standard selector switches	1 million operations
Key selector switches	1 million operations
Illuminated pushbuttons	
Selector pushbuttons	
Standard pushbuttons	3 million operations
Mushroom head pushbuttons	3 million operations

Performances of the contacts

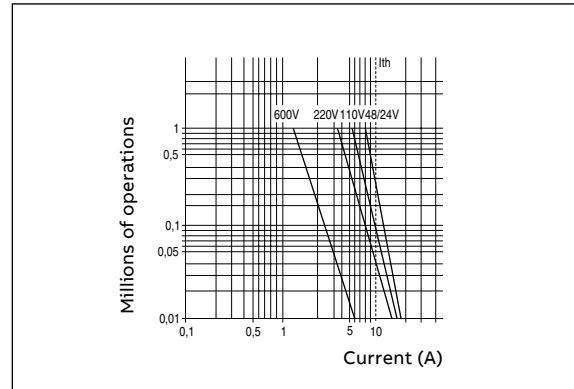
- Slow acting
- Self-cleaning sliding
- NC forced breaking
- Double movable bridge
- Four switching points
- Double break

Identification of the terminals

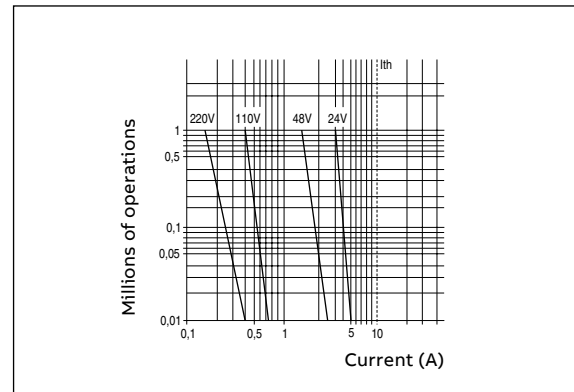
According to EN 50013

Electrical endurance

Alternative current 50/60Hz cat. AC 15



Direct current cat. DC 13



Rear panel modularity

The P9 series is composed with 10 mm or a multiple of 10 mm modular units, fitted side by side on a proper mounting flange.

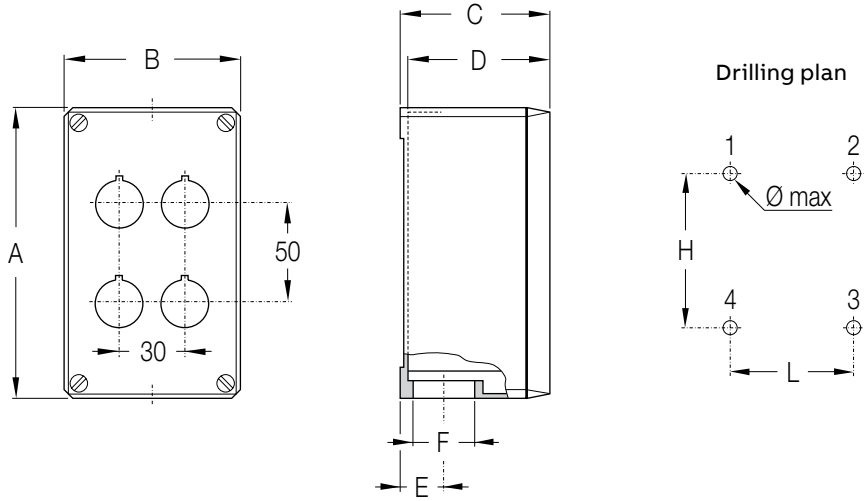
The standard operators are supplied with a three position flange with a capacity of 3 units of 10 mm or 1 of 10 mm and 1 of 20 mm or 1 of 30 mm.

When the three position flange is not enough to satisfy the applications needs, the five position flange is required to add two more units of 10 mm mounted side by side.

Using the five position flange take into account the bigger width (50 mm instead of 30 mm).

Modular metal range

Dimension



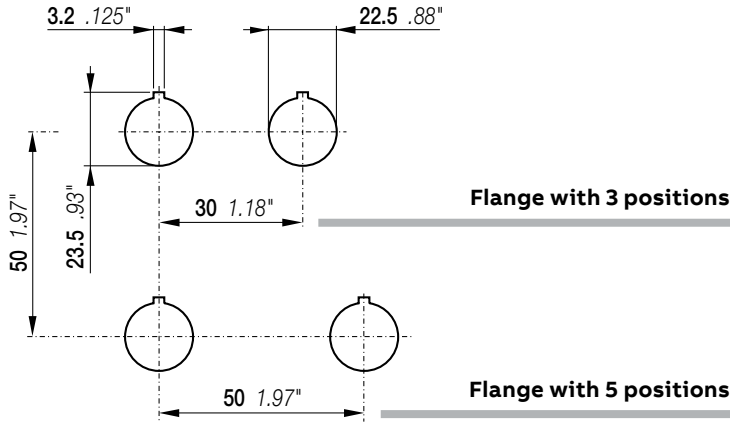
Size type	Holes Ø 22		Dimensions										Drilling plan			
	Vertic.	Horizont.	A		B		C		D		E		F	H x L x Ø max		Position of the holes
			mm	in	mm	in	mm	in	mm	in	mm	in		mm	in	
1	1	-	87	3.43	87	3.43	75	2.95	72	2.83	21.5	0.85	PG 21	74x55x4	2.91x2.17x0.16	1-3
1M	1	-	87	3.43	87	3.43	100	3.94	97	3.82	21.5	0.85	PG 21	68x55x4	2.68x2.17x0.16	1-3
2	2	-	145	5.71	87	3.43	75	2.95	72	2.83	21.5	0.85	PG 21	132x55x4	5.2x2.17x0.16	1-3
2M	2	-	145	5.71	87	3.43	100	3.94	97	3.82	21.5	0.85	PG 21	126x55x4	4.96x2.17x0.16	1-3
3	3	-	195	7.68	87	3.43	100	3.94	97	3.82	21.5	0.85	PG 21	176x55x4	6.93x2.17x0.16	1-3
4	2	2	145	5.71	87	3.43	75	2.95	72	2.83	21.5	0.85	PG 21	132x55x4	5.2x2.17x0.16	1-3
4M	2	2	145	5.71	87	3.43	100	3.94	97	3.82	21.5	0.85	PG 21	126x55x4	4.96x2.17x0.16	1-3
6	3	2	195	7.68	87	3.43	100	3.94	97	3.82	21.5	0.85	PG 21	176x55x4	6.93x2.17x0.16	1-3
8	2	4	152	5.98	152	5.98	101.5	4	98.5	3.88	27	1.06	PG 29	136x119x6	5.35x4.69x0.24	1-2-3-4
12	3	4	205	8.07	230	9.06	101.5	4	98.5	3.88	27	1.06	PG 29	172x214x6	6.77x8.43x0.24	1-2-3-4
18	3	6	257	10.12	300	11.81	101.5	4	98.5	3.88	35	1.38	PG 36	221x282x6	8.7x11.1x0.24	1-2-3-4
24	4	6	257	10.12	300	11.81	101.5	4	98.5	3.88	35	1.38	PG 36	221x282x6	8.7x11.1x0.24	1-2-3-4

Modular metal range

Drilling plan

Mounting

Fitted for panels 1 to 6 mm thick with holes drilled according to IEC60947-5-1 standard.



Pilot devices, 22 mm

Compact range

Ordering details

91	Non-illuminated flush pushbuttons
93	Non-illuminated extended pushbuttons
95	Illuminated flush pushbuttons
97	Illuminated extended pushbuttons
99	Non-illuminated mushroom pushbuttons
100	Non-illuminated emergency stop pushbuttons
101	Non-illuminated machine stop pushbuttons
102	Heavy duty pushbuttons
103	Pilot lights
105	LED bulbs for CL-100 pilot lights
107	Non-illuminated selector switches
109	Buzzers

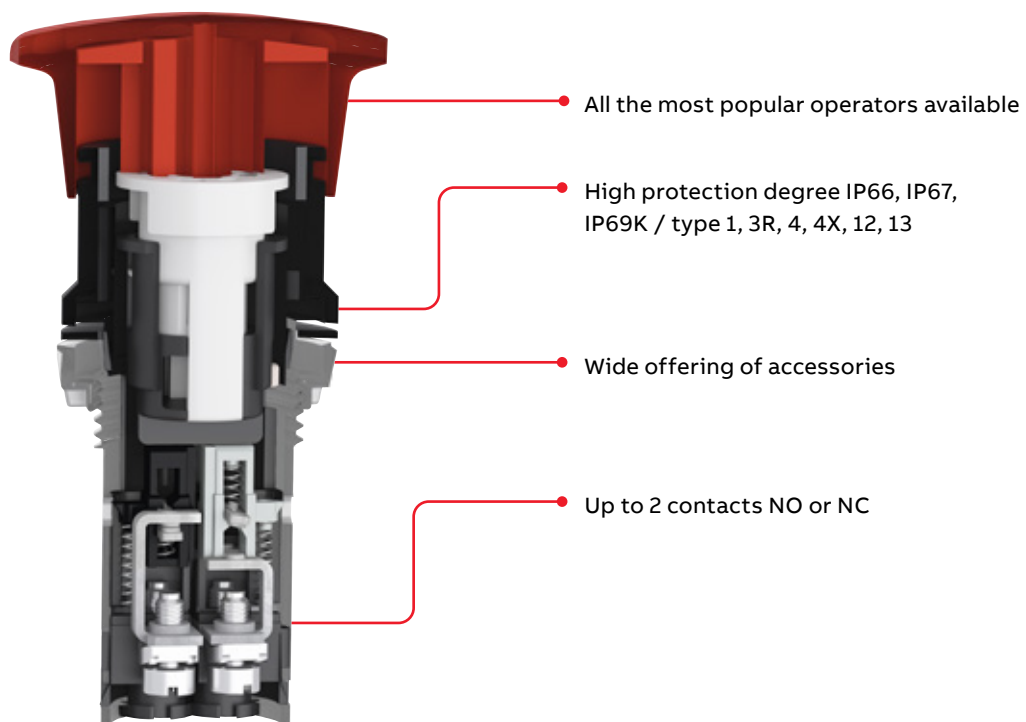
110 Accessories

112 Technical data

118 Drilling plan

Compact range

The compact range is the most efficient solution reducing both installation time and cost thanks to the all-in-one design. It is perfect for tough environment thanks to the market leading level of dust and water resistance.

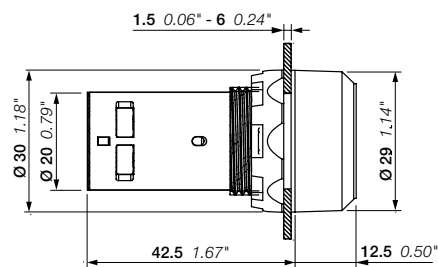


Compact range

Non-illuminated flush pushbuttons–Momentary



Operator	Bezel	Contacts	Type	Order code	Pkg qty	Weight (1 pce)
						kg
● Red	Black plastic	1 0	CP1-10R-10	1SFA619100R1011	10	0.018
			CP1-10R-01	1SFA619100R1041	10	0.018
		1 1	CP1-10R-11	1SFA619100R1071	10	0.022
			CP1-10R-20	1SFA619100R1021	10	0.022
		2 0	CP1-10R-02	1SFA619100R1051	10	0.022
			CP1-30R-10	1SFA619100R3011	10	0.032
	Chrome metal	1 0	CP1-30R-01	1SFA619100R3041	10	0.032
			CP1-30R-11	1SFA619100R3071	10	0.036
		1 1	CP1-30R-20	1SFA619100R3021	10	0.036
			CP1-30R-02	1SFA619100R3051	10	0.036
		2 0	CP1-10G-10	1SFA619100R1012	10	0.018
			CP1-10G-11	1SFA619100R1072	10	0.022
● Green	Black plastic	1 0	CP1-10G-10	1SFA619100R1012	10	0.018
			CP1-10G-11	1SFA619100R1072	10	0.022
		2 0	CP1-10G-20	1SFA619100R1022	10	0.022
	Chrome metal	1 0	CP1-30G-10	1SFA619100R3012	10	0.032
			CP1-30G-11	1SFA619100R3072	10	0.036
		2 0	CP1-30G-20	1SFA619100R3022	10	0.036
● Yellow	Black plastic	1 0	CP1-10Y-10	1SFA619100R1013	10	0.018
			CP1-10Y-11	1SFA619100R1073	10	0.022
		2 0	CP1-10Y-20	1SFA619100R1023	10	0.022
	Chrome metal	1 0	CP1-30Y-10	1SFA619100R3013	10	0.032
			CP1-30Y-11	1SFA619100R3073	10	0.036
		2 0	CP1-30Y-20	1SFA619100R3023	10	0.036
● Blue	Black plastic	1 0	CP1-10L-10	1SFA619100R1014	10	0.018
			CP1-10L-11	1SFA619100R1074	10	0.022
		2 0	CP1-10L-20	1SFA619100R1024	10	0.022
	Chrome metal	1 0	CP1-30L-10	1SFA619100R3014	10	0.032
			CP1-30L-11	1SFA619100R3074	10	0.036
		2 0	CP1-30L-20	1SFA619100R3024	10	0.036
○ White	Black plastic	1 0	CP1-10W-10	1SFA619100R1015	10	0.018
			CP1-10W-11	1SFA619100R1075	10	0.022
		2 0	CP1-10W-20	1SFA619100R1025	10	0.022
	Chrome metal	1 0	CP1-30W-10	1SFA619100R3015	10	0.032
			CP1-30W-11	1SFA619100R3075	10	0.036
		2 0	CP1-30W-20	1SFA619100R3025	10	0.036
● Black	Black plastic	1 0	CP1-10B-10	1SFA619100R1016	10	0.018
			CP1-10B-01	1SFA619100R1046	10	0.018
		1 1	CP1-10B-11	1SFA619100R1076	10	0.022
			CP1-10B-20	1SFA619100R1026	10	0.022
		2 0	CP1-10B-02	1SFA619100R1056	10	0.022
			CP1-30B-10	1SFA619100R3016	10	0.032
	Chrome metal	1 0	CP1-30B-01	1SFA619100R3046	10	0.032
			CP1-30B-11	1SFA619100R3076	10	0.036
		1 1	CP1-30B-20	1SFA619100R3026	10	0.036
			CP1-30B-02	1SFA619100R3056	10	0.036



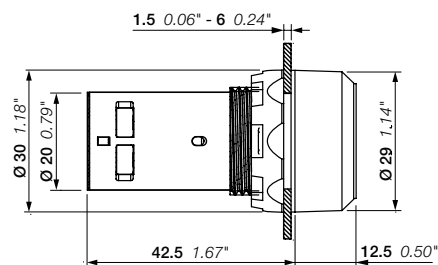
CP1
Dimensions (mm, inches)

Compact range

Non-illuminated flush pushbuttons–Maintained



Operator	Bezel	Contacts	Type	Order code	Pkg qty	Weight (1 pce)
						kg
● Red	Black plastic	10	CP2-10R-10	1SFA619101R1011	10	0.018
		01	CP2-10R-01	1SFA619101R1041	10	0.018
		11	CP2-10R-11	1SFA619101R1071	10	0.022
		20	CP2-10R-20	1SFA619101R1021	10	0.022
		02	CP2-10R-02	1SFA619101R1051	10	0.022
		10	CP2-30R-10	1SFA619101R3011	10	0.032
● Green	Chrome metal	01	CP2-30R-01	1SFA619101R3041	10	0.032
		11	CP2-30R-11	1SFA619101R3071	10	0.036
		20	CP2-30R-20	1SFA619101R3021	10	0.036
		02	CP2-30R-02	1SFA619101R3051	10	0.036
		10	CP2-10G-10	1SFA619101R1012	10	0.018
		11	CP2-10G-11	1SFA619101R1072	10	0.022
● Yellow	Black plastic	20	CP2-10G-20	1SFA619101R1022	10	0.022
		10	CP2-30G-10	1SFA619101R3012	10	0.032
		11	CP2-30G-11	1SFA619101R3072	10	0.036
		20	CP2-30G-20	1SFA619101R3022	10	0.036
		10	CP2-10Y-10	1SFA619101R1013	10	0.018
		11	CP2-10Y-11	1SFA619101R1073	10	0.022
● Blue	Black plastic	20	CP2-10Y-20	1SFA619101R1023	10	0.022
		11	CP2-30Y-11	1SFA619101R3073	10	0.036
		20	CP2-30Y-20	1SFA619101R3023	10	0.036
		10	CP2-10L-10	1SFA619101R1014	10	0.018
		11	CP2-10L-11	1SFA619101R1074	10	0.022
		20	CP2-10L-20	1SFA619101R1024	10	0.022
○ White	Chrome metal	10	CP2-30L-10	1SFA619101R3014	10	0.032
		20	CP2-30L-20	1SFA619101R3024	10	0.036
		10	CP2-10W-10	1SFA619101R1015	10	0.018
		11	CP2-10W-11	1SFA619101R1075	10	0.022
		20	CP2-10W-20	1SFA619101R1025	10	0.022
		10	CP2-30W-10	1SFA619101R3015	10	0.032
● Black	Black plastic	20	CP2-30W-20	1SFA619101R3025	10	0.036
		10	CP2-10B-10	1SFA619101R1016	10	0.018
		01	CP2-10B-01	1SFA619101R1046	10	0.018
		11	CP2-10B-11	1SFA619101R1076	10	0.022
		20	CP2-10B-20	1SFA619101R1026	10	0.022
		02	CP2-10B-02	1SFA619101R1056	10	0.022
	Chrome metal	10	CP2-30B-10	1SFA619101R3016	10	0.032
		01	CP2-30B-01	1SFA619101R3046	10	0.032
		11	CP2-30B-11	1SFA619101R3076	10	0.036
		20	CP2-30B-20	1SFA619101R3026	10	0.036



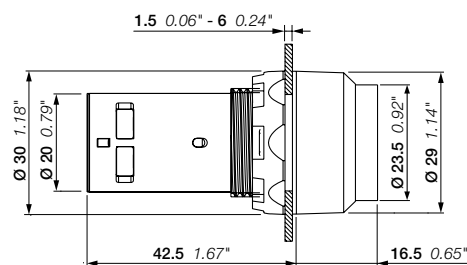
CP2
Dimensions (mm, inches)

Compact range

Non-illuminated extended pushbuttons–Momentary



Operator	Bezel	Contacts	Type	Order code	Pkg qty	Weight (1 pce)
						kg
● Red	Black plastic	10	CP3-10R-10	1SFA619102R1011	10	0.019
		01	CP3-10R-01	1SFA619102R1041	10	0.019
		11	CP3-10R-11	1SFA619102R1071	10	0.022
	Chrome metal	20	CP3-10R-20	1SFA619102R1021	10	0.022
		02	CP3-10R-02	1SFA619102R1051	10	0.022
		01	CP3-30R-01	1SFA619102R3041	10	0.033
● Green	Black plastic	11	CP3-30R-11	1SFA619102R3071	10	0.036
		20	CP3-30R-20	1SFA619102R3021	10	0.036
		10	CP3-10G-10	1SFA619102R1012	10	0.019
	Chrome metal	11	CP3-10G-11	1SFA619102R1072	10	0.022
		20	CP3-10G-20	1SFA619102R1022	10	0.022
		10	CP3-30G-10	1SFA619102R3012	10	0.033
● Yellow	Black plastic	11	CP3-30G-11	1SFA619102R3072	10	0.036
		20	CP3-30G-20	1SFA619102R3022	10	0.036
		10	CP3-10Y-10	1SFA619102R1013	10	0.019
	Chrome metal	11	CP3-10Y-11	1SFA619102R1073	10	0.022
		20	CP3-10Y-20	1SFA619102R1023	10	0.022
		20	CP3-30Y-20	1SFA619102R3023	10	0.036
● Blue	Black plastic	10	CP3-10L-10	1SFA619102R1014	10	0.019
		11	CP3-10L-11	1SFA619102R1074	10	0.022
		20	CP3-10L-20	1SFA619102R1024	10	0.022
	Chrome metal	20	CP3-30L-20	1SFA619102R3024	10	0.036
		10	CP3-10W-10	1SFA619102R1015	10	0.019
		11	CP3-10W-11	1SFA619102R1075	10	0.022
○ White	Black plastic	20	CP3-10W-20	1SFA619102R1025	10	0.022
		10	CP3-30W-10	1SFA619102R3015	10	0.033
		11	CP3-30W-11	1SFA619102R3075	10	0.036
	Chrome metal	20	CP3-30W-20	1SFA619102R3025	10	0.036
		10	CP3-10B-10	1SFA619102R1016	10	0.019
		01	CP3-10B-01	1SFA619102R1046	10	0.019
● Black	Black plastic	11	CP3-10B-11	1SFA619102R1076	10	0.022
		20	CP3-10B-20	1SFA619102R1026	10	0.022
		02	CP3-10B-02	1SFA619102R1056	10	0.022
		10	CP3-30B-10	1SFA619102R3016	10	0.033
	Chrome metal	01	CP3-30B-01	1SFA619102R3046	10	0.033
		11	CP3-30B-11	1SFA619102R3076	10	0.036
		20	CP3-30B-20	1SFA619102R3026	10	0.036



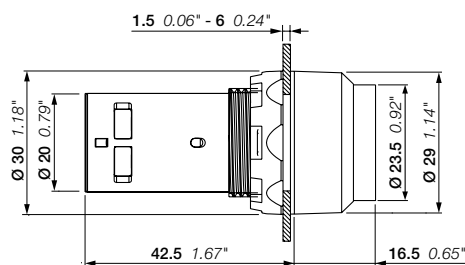
CP3
Dimensions (mm, inches)

Compact range

Non-illuminated extended pushbuttons–Maintained



Operator	Bezel	Contacts	Type	Order code	Pkg qty	Weight (1 pce)
						kg
● Red	Black plastic	1 0	CP4-10R-10	1SFA619103R1011	10	0.019
		0 1	CP4-10R-01	1SFA619103R1041	10	0.019
		1 1	CP4-10R-11	1SFA619103R1071	10	0.022
		2 0	CP4-10R-20	1SFA619103R1021	10	0.022
		0 2	CP4-10R-02	1SFA619103R1051	10	0.022
● Green	Chrome metal	1 1	CP4-30R-11	1SFA619103R3071	10	0.036
		1 0	CP4-10G-10	1SFA619103R1012	10	0.019
	Black plastic	1 1	CP4-10G-11	1SFA619103R1072	10	0.022
		2 0	CP4-10G-20	1SFA619103R1022	10	0.022
		1 0	CP4-30G-10	1SFA619103R3012	10	0.033
● Yellow	Black plastic	2 0	CP4-30G-20	1SFA619103R3022	10	0.036
		1 0	CP4-10Y-10	1SFA619103R1013	10	0.019
● Blue	Black plastic	1 1	CP4-10Y-11	1SFA619103R1073	10	0.022
		1 0	CP4-10L-10	1SFA619103R1014	10	0.019
○ White	Black plastic	1 1	CP4-10L-11	1SFA619103R1074	10	0.022
		1 0	CP4-10W-10	1SFA619103R1015	10	0.019
● Black	Black plastic	1 1	CP4-10W-11	1SFA619103R1075	10	0.022
		1 0	CP4-10B-10	1SFA619103R1016	10	0.019
		1 1	CP4-10B-11	1SFA619103R1076	10	0.022
		2 0	CP4-10B-20	1SFA619103R1026	10	0.022
		0 2	CP4-10B-02	1SFA619103R1056	10	0.022



CP4
Dimensions (mm, inches)

Compact range

Illuminated flush pushbuttons–Momentary



CP1-11R-10



CP1-11G-10



CP1-31Y-10

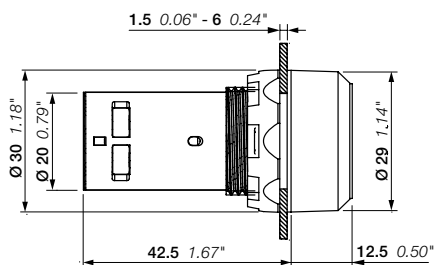


CP1-11L-10



CP1-31C-10

Operator	Bezel	Contacts	Type	Order code	Pkg qty	Weight (1 pce)
						kg
Rated voltage 24 V AC / DC						
● Red	Black plastic	1 0	CP1-11R-10	1SFA619100R1111	10	0.025
		0 1	CP1-11R-01	1SFA619100R1141	10	0.025
	Chrome metal	1 0	CP1-31R-10	1SFA619100R3111	10	0.039
		0 1	CP1-31R-01	1SFA619100R3141	10	0.039
● Green	Black plastic	1 0	CP1-11G-10	1SFA619100R1112	10	0.025
	Chrome metal	1 0	CP1-31G-10	1SFA619100R3112	10	0.039
● Yellow	Black plastic	1 0	CP1-11Y-10	1SFA619100R1113	10	0.025
	Chrome metal	1 0	CP1-31Y-10	1SFA619100R3113	10	0.039
● Blue	Black plastic	1 0	CP1-11L-10	1SFA619100R1114	10	0.025
	Chrome metal	1 0	CP1-31L-10	1SFA619100R3114	10	0.039
		0 1	CP1-31L-01	1SFA619100R3144	10	0.039
○ Clear	Black plastic	1 0	CP1-11C-10	1SFA619100R1118	10	0.025
	Chrome metal	1 0	CP1-31C-10	1SFA619100R3118	10	0.039
Rated voltage 110...130 V AC / DC						
● Red	Black plastic	1 0	CP1-12R-10	1SFA619100R1211	10	0.025
		0 1	CP1-12R-01	1SFA619100R1241	10	0.025
● Green	Black plastic	1 0	CP1-12G-10	1SFA619100R1212	10	0.025
● Yellow	Black plastic	1 0	CP1-12Y-10	1SFA619100R1213	10	0.025
● Blue	Black plastic	1 0	CP1-12L-10	1SFA619100R1214	10	0.025
○ Clear	Black plastic	1 0	CP1-12C-10	1SFA619100R1218	10	0.025
Rated voltage 220 V AC / DC						
● Red	Black plastic	1 0	CP1-13R-10	1SFA619100R1311	10	0.025
		0 1	CP1-13R-01	1SFA619100R1341	10	0.025
● Green	Black plastic	1 0	CP1-13G-10	1SFA619100R1312	10	0.025
● Yellow	Black plastic	1 0	CP1-13Y-10	1SFA619100R1313	10	0.025
● Blue	Black plastic	1 0	CP1-13L-10	1SFA619100R1314	10	0.025
○ Clear	Black plastic	1 0	CP1-13C-10	1SFA619100R1318	10	0.025



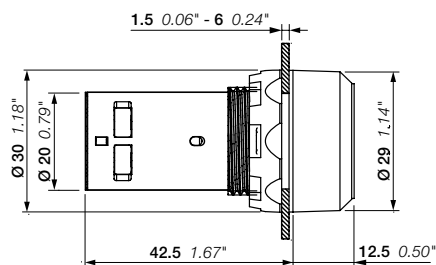
CP1
Dimensions (mm, inches)

Compact range

Illuminated flush pushbuttons–Maintained



Operator	Bezel	Contacts	Type	Order code	Pkg qty	Weight (1 pce)
kg						
Rated voltage 24 V AC / DC						
● Red	Black plastic	1 0	CP2-11R-10	1SFA619101R1111	10	0.025
		0 1	CP2-11R-01	1SFA619101R1141	10	0.025
● Green	Black plastic	1 0	CP2-11G-10	1SFA619101R1112	10	0.025
● Yellow	Black plastic	1 0	CP2-11Y-10	1SFA619101R1113	10	0.025
● Blue	Black plastic	1 0	CP2-11L-10	1SFA619101R1114	10	0.025
○ Clear	Black plastic	1 0	CP2-11C-10	1SFA619101R1118	10	0.025
Rated voltage 110...130 V AC / DC						
● Red	Black plastic	1 0	CP2-12R-10	1SFA619101R1211	10	0.025
		0 1	CP2-12R-01	1SFA619101R1241	10	0.025
● Green	Black plastic	1 0	CP2-12G-10	1SFA619101R1212	10	0.025
● Yellow	Black plastic	1 0	CP2-12Y-10	1SFA619101R1213	10	0.025
● Blue	Black plastic	1 0	CP2-12L-10	1SFA619101R1214	10	0.025
○ Clear	Black plastic	1 0	CP2-12C-10	1SFA619101R1218	10	0.025
Rated voltage 220 V AC / DC						
● Red	Black plastic	1 0	CP2-13R-10	1SFA619101R1311	10	0.025
		0 1	CP2-13R-01	1SFA619101R1341	10	0.025
● Green	Black plastic	1 0	CP2-13G-10	1SFA619101R1312	10	0.025
● Yellow	Black plastic	1 0	CP2-13Y-10	1SFA619101R1313	10	0.025
● Blue	Black plastic	1 0	CP2-13L-10	1SFA619101R1314	10	0.025
○ Clear	Black plastic	1 0	CP2-13C-10	1SFA619101R1318	10	0.025



CP1
Dimensions (mm, inches)

Compact range

Illuminated extended pushbuttons–Momentary



CP3-11R-10

1SFCL51210V0001



CP3-11G-10

1SFCL51213V0001

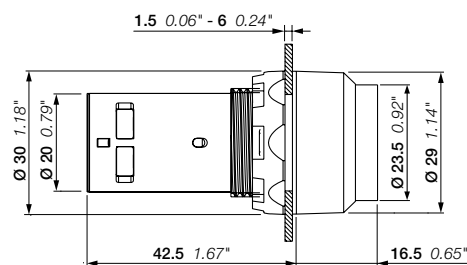


CP3-11Y-10

1SFCL51208V0001



Operator	Bezel	Contacts	Type	Order code	Pkg qty	Weight (1 pce)
kg						
Rated voltage 24 V AC / DC						
● Red	Black plastic	1 0	CP3-11R-10	1SFA619102R1111	10	0.025
		0 1	CP3-11R-01	1SFA619102R1141	10	0.025
● Green	Black plastic	1 0	CP3-11G-10	1SFA619102R1112	10	0.025
● Yellow	Black plastic	1 0	CP3-11Y-10	1SFA619102R1113	10	0.025
● Blue	Black plastic	1 0	CP3-11L-10	1SFA619102R1114	10	0.025
○ Clear	Black plastic	1 0	CP3-11C-10	1SFA619102R1118	10	0.025
Rated voltage 110...130 V AC / DC						
● Red	Black plastic	1 0	CP3-12R-10	1SFA619102R1211	10	0.025
		0 1	CP3-12R-01	1SFA619102R1241	10	0.025
● Green	Black plastic	1 0	CP3-12G-10	1SFA619102R1212	10	0.025
● Yellow	Black plastic	1 0	CP3-12Y-10	1SFA619102R1213	10	0.025
● Blue	Black plastic	1 0	CP3-12L-10	1SFA619102R1214	10	0.025
○ Clear	Black plastic	1 0	CP3-12C-10	1SFA619102R1218	10	0.025
Rated voltage 220 V AC / DC						
● Red	Black plastic	1 0	CP3-13R-10	1SFA619102R1311	10	0.025
		0 1	CP3-13R-01	1SFA619102R1341	10	0.025
● Green	Black plastic	1 0	CP3-13G-10	1SFA619102R1312	10	0.025
● Yellow	Black plastic	1 0	CP3-13Y-10	1SFA619102R1313	10	0.025
● Blue	Black plastic	1 0	CP3-13L-10	1SFA619102R1314	10	0.025
○ Clear	Black plastic	1 0	CP3-13C-10	1SFA619102R1318	10	0.025



CP3

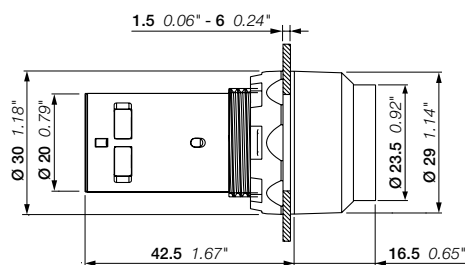
Dimensions (mm, inches)

Compact range

Illuminated extended pushbuttons–Maintained



Operator	Bezel	Contacts	Type	Order code	Pkg qty	Weight (1 pce)
kg						
Rated voltage 24 V AC / DC						
● Red	Black plastic	1 0	CP4-11R-10	1SFA619103R1111	10	0.025
		0 1	CP4-11R-01	1SFA619103R1141	10	0.025
● Green	Black plastic	1 0	CP4-11G-10	1SFA619103R1112	10	0.025
● Yellow	Black plastic	1 0	CP4-11Y-10	1SFA619103R1113	10	0.025
● Blue	Black plastic	1 0	CP4-11L-10	1SFA619103R1114	10	0.025
○ Clear	Black plastic	1 0	CP4-11C-10	1SFA619103R1118	10	0.025
Rated voltage 110...130 V AC / DC						
● Red	Black plastic	1 0	CP4-12R-10	1SFA619103R1211	10	0.025
		0 1	CP4-12R-01	1SFA619103R1241	10	0.025
● Green	Black plastic	1 0	CP4-12G-10	1SFA619103R1212	10	0.025
● Yellow	Black plastic	1 0	CP4-12Y-10	1SFA619103R1213	10	0.025
● Blue	Black plastic	1 0	CP4-12L-10	1SFA619103R1214	10	0.025
○ Clear	Black plastic	1 0	CP4-12C-10	1SFA619103R1218	10	0.025
Rated voltage 230 V AC / DC						
● Red	Black plastic	1 0	CP4-13R-10	1SFA619103R1311	10	0.025
		0 1	CP4-13R-01	1SFA619103R1341	10	0.025
● Green	Black plastic	1 0	CP4-13G-10	1SFA619103R1312	10	0.025
● Yellow	Black plastic	1 0	CP4-13Y-10	1SFA619103R1313	10	0.025
● Blue	Black plastic	1 0	CP4-13L-10	1SFA619103R1314	10	0.025
○ Clear	Black plastic	1 0	CP4-13C-10	1SFA619103R1318	10	0.025



CP4
Dimensions (mm, inches)

Compact range

Non-illuminated mushroom pushbuttons–Momentary



CPM3-10R-11



CPM3-10G-11



CPM3-10Y-11

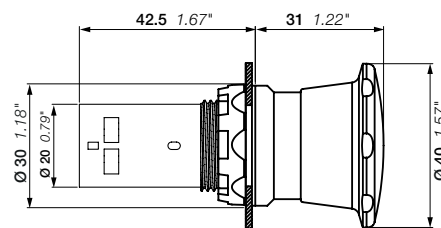


CPM3-10L-11



CPM3-10B-11

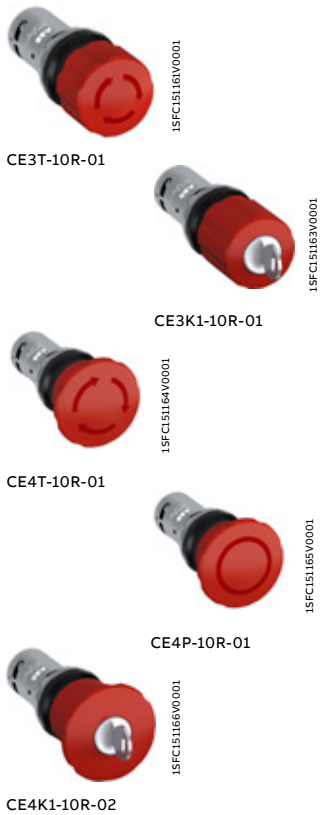
Operator	Contacts	Type	Order code	Pkg qty	Weight (1 pce)
kg					
Ø 40 mm					
● Red	1 1	CPM3-10R-11	1SFA619126R1071	1	0.036
● Green	1 1	CPM3-10G-11	1SFA619126R1072	1	0.036
● Yellow	1 1	CPM3-10Y-11	1SFA619126R1073	1	0.036
● Blue	1 1	CPM3-10L-11	1SFA619126R1074	1	0.036
● Black	1 1	CPM3-10B-11	1SFA619126R1076	1	0.036



CPM3
Dimensions (mm, inches)

Compact range

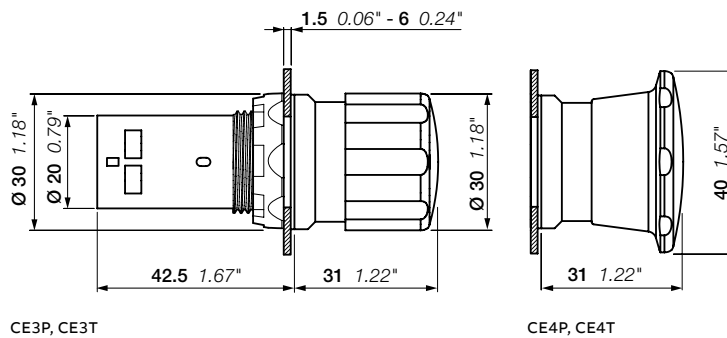
Non-illuminated emergency stop pushbuttons



Description

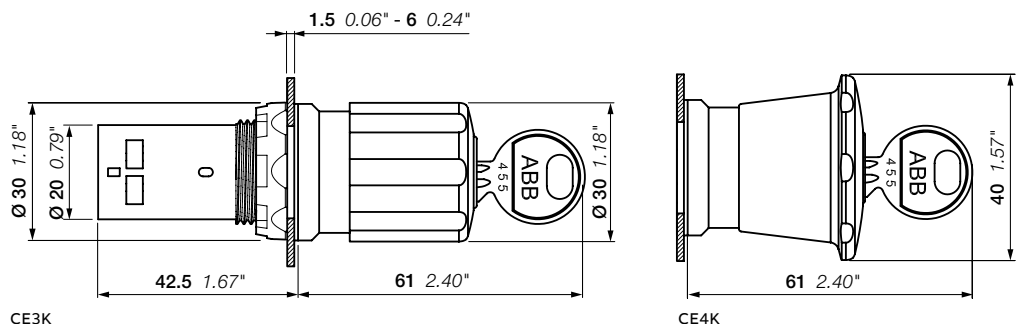
The emergency stop pushbuttons conform to the standard EN/IEC 60947-5-5, Safety of machinery standard EN/ISO 13850, IEC 60204-1 and to Machinery directive 2006/42/EC.

Operator	Release method	Contacts	Type	Order code	Pkg qty	Weight (1 pce)
Ø 30 mm						
● Red	Twist release	0 1	CE3T-10R-01	1SFA619500R1041	1	0.032
		1 1	CE3T-10R-11	1SFA619500R1071	1	0.032
		0 2	CE3T-10R-02	1SFA619500R1051	1	0.032
● Red	Pull release	0 1	CE3P-10R-01	1SFA619501R1041	1	0.032
		1 1	CE3P-10R-11	1SFA619501R1071	1	0.032
		0 2	CE3P-10R-02	1SFA619501R1051	1	0.032
● Red	Key code 455	0 1	CE3K1-10R-01	1SFA619502R1041	1	0.060
		1 1	CE3K1-10R-11	1SFA619502R1071	1	0.060
		0 2	CE3K1-10R-02	1SFA619502R1051	1	0.060
Ø 40 mm						
● Red	Twist release	0 1	CE4T-10R-01	1SFA619550R1041	1	0.036
		1 1	CE4T-10R-11	1SFA619550R1071	1	0.036
		0 2	CE4T-10R-02	1SFA619550R1051	1	0.036
● Red	Pull release	0 1	CE4P-10R-01	1SFA619551R1041	1	0.036
		1 1	CE4P-10R-11	1SFA619551R1071	1	0.036
		0 2	CE4P-10R-02	1SFA619551R1051	1	0.036
● Red	Key code 455	0 1	CE4K1-10R-01	1SFA619552R1041	1	0.064
		1 1	CE4K1-10R-11	1SFA619552R1071	1	0.064
		0 2	CE4K1-10R-02	1SFA619552R1051	1	0.064



CE3P, CE3T

CE4P, CE4T



CE3K

CE4K

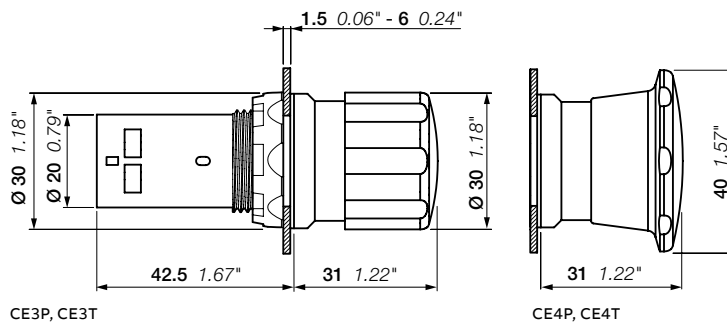
Dimensions (mm, inches)

Compact range

Non-illuminated machine stop pushbuttons

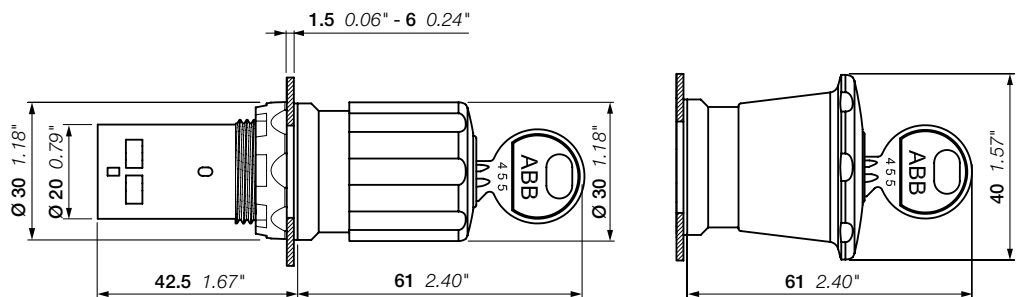


Operator	Release method	Contacts	Type	Order code	Pkg qty	Weight (1 pce)
kg						
Ø 30 mm						
● Black	Twist release	0 1	CE3T-10B-01	1SFA619500R1046	1	0.032
		1 1	CE3T-10B-11	1SFA619500R1076	1	0.032
● Black	Pull release	1 1	CE3P-10B-11	1SFA619501R1076	1	0.032
● Black	Key code 455	1 1	CE3K1-10B-11	1SFA619502R1076	1	0.060
Ø 40 mm						
● Black	Twist release	1 0	CE4T-10B-10	1SFA619550R1016	1	0.032
		0 1	CE4T-10B-01	1SFA619550R1046	1	0.032
		1 1	CE4T-10B-11	1SFA619550R1076	1	0.032
		2 0	CE4T-10B-20	1SFA619550R1026	1	0.032
		0 2	CE4T-10B-02	1SFA619550R1056	1	0.032
● Black	Pull release	1 1	CE4P-10B-11	1SFA619551R1076	1	0.032
● Black	Key code 455	1 1	CE4K1-10B-11	1SFA619552R1076	1	0.064



CE3P, CE3T

CE4P, CE4T



CE3K

CE4K

Dimensions (mm, inches)

Compact range

Heavy duty pushbuttons



15FC151025V0001

CP6-10R-11



15FC151024V0001

CP6-10G-11



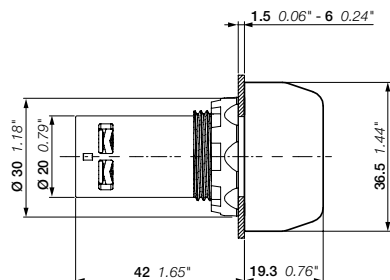
15FC151023V0001

CP6-10B-11

Description

Silicone rubber cap.

Color	Contacts	Type	Order code	Pkg qty	Weight (1 pce)
● Red	1 1	CP6-10R-11	1SFA619105R1071	10	0.031
	2 0	CP6-10R-20	1SFA619105R1021	10	0.031
	0 2	CP6-10R-02	1SFA619105R1051	10	0.031
● Green	1 1	CP6-10G-11	1SFA619105R1072	10	0.031
	2 0	CP6-10G-20	1SFA619105R1022	10	0.031
● Black	1 1	CP6-10B-11	1SFA619105R1076	10	0.031
	2 0	CP6-10B-20	1SFA619105R1026	10	0.031
	0 2	CP6-10B-02	1SFA619105R1056	10	0.031



CP6

Dimensions (mm, inches)

Compact range

Pilot lights



1SFC151338V0001

CL2-502R



1SFC151339V0001

CL2-506G



1SFC151340V0001

CL2-508Y



1SFC151341V0001

CL2-506L



1SFC151342V0001

CL2-506C

Description

Integrated LED, no bulb needed.

Color	Rated current mA	Anti-in-ductive voltage Vpeak	Wave-length nm	Illumi-nation lx	Type	Order code	Pkg qty	Weight (1 pce) kg
-------	---------------------	----------------------------------	-------------------	---------------------	------	------------	---------	----------------------

Voltage 6.3 V

● Red	16	2	625	70	CL2-506R	1SFA619403R5061	10	0.016
● Green	16	2	520	125	CL2-506G	1SFA619403R5062	10	0.016
● Yellow	16	2	590	75	CL2-506Y	1SFA619403R5063	10	0.016
● Blue	16	2	470	10	CL2-506L	1SFA619403R5064	10	0.016
○ Clear	16	2	(1)	290	CL2-506C	1SFA619403R5068	10	0.016

Voltage 12 V DC

● Red	16	2	625	110	CL2-501R	1SFA619403R5011	10	0.016
● Green	16	2.5	520	165	CL2-501G	1SFA619403R5012	10	0.016
● Yellow	16	2.5	590	85	CL2-501Y	1SFA619403R5013	10	0.016
● Blue	16	2.5	470	15	CL2-501L	1SFA619403R5014	10	0.016
○ Clear	16	2.5	(1)	320	CL2-501C	1SFA619403R5018	10	0.016

Voltage 24 V AC / DC

● Red	16	6	625	80	CL2-502R	1SFA619403R5021	10	0.016
● Green	16	6	520	135	CL2-502G	1SFA619403R5022	10	0.016
● Yellow	16	6	590	55	CL2-502Y	1SFA619403R5023	10	0.016
● Blue	16	6	470	10	CL2-502L	1SFA619403R5024	10	0.016
○ Clear	16	6	(1)	230	CL2-502C	1SFA619403R5028	10	0.016

Voltage 48 ... 60 V AC / DC

● Red	13-17	7	625	75	CL2-507R	1SFA619403R5071	10	0.016
● Green	13-17	7	520	140	CL2-507G	1SFA619403R5072	10	0.016
● Yellow	13-17	7	590	80	CL2-507Y	1SFA619403R5073	10	0.016
● Blue	13-17	7	470	10	CL2-507L	1SFA619403R5074	10	0.016
○ Clear	13-17	7	(1)	260	CL2-507C	1SFA619403R5078	10	0.016

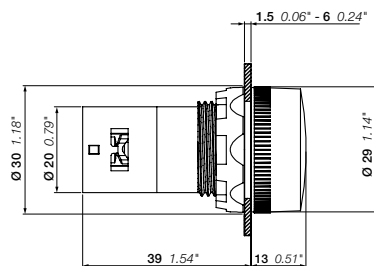
Voltage 110 ... 130 V AC

● Red	15-17	20	625	85	CL2-513R	1SFA619403R5131	10	0.016
● Green	15-17	20	520	90	CL2-513G	1SFA619403R5132	10	0.016
● Yellow	15-17	20	590	85	CL2-513Y	1SFA619403R5133	10	0.016
● Blue	15-17	20	470	10	CL2-513L	1SFA619403R5134	10	0.016
○ Clear	15-17	20	(1)	340	CL2-513C	1SFA619403R5138	10	0.016

Voltage 110 ... 130 V DC

● Red	8-9	20	625	55	CL2-515R	1SFA619403R5151	10	0.016
● Green	8-9	20	520	125	CL2-515G	1SFA619403R5152	10	0.016
● Yellow	8-9	20	590	50	CL2-515Y	1SFA619403R5153	10	0.016
● Blue	8-9	20	470	10	CL2-515L	1SFA619403R5154	10	0.016
○ Clear	8-9	20	(1)	210	CL2-515C	1SFA619403R5158	10	0.016

(1) X = 0.31, Y = 0.32



CL2

Dimensions (mm, inches)

Compact range

Pilot lights



CL2-502R

1SFC151338V0001



CL2-506G

1SFC151339V0001



CL2-508Y

1SFC151340V0001



CL2-506L

1SFC151341V0001



CL2-506C

1SFC151342V0001

Description

Integrated LED, no bulb needed.

Color	Rated current mA	Anti-inductive voltage Vpeak	Wave-length nm	Illumi-nation lx	Type	Order code	Pkg qty	Weight (1 pce) kg
-------	---------------------	---------------------------------	-------------------	---------------------	------	------------	---------	----------------------

Voltage 220 V DC

● Red	6	20	625	40	CL2-520R	1SFA619403R5201	10	0.016
● Green	6	20	520	90	CL2-520G	1SFA619403R5202	10	0.016
● Yellow	6	20	590	30	CL2-520Y	1SFA619403R5203	10	0.016
● Blue	6	20	470	5	CL2-520L	1SFA619403R5204	10	0.016
○ Clear	6	20	(1)	120	CL2-520C	1SFA619403R5208	10	0.016

Voltage 230 V AC

● Red	17	30	625	95	CL2-523R	1SFA619403R5231	10	0.016
● Green	17	35	520	155	CL2-523G	1SFA619403R5232	10	0.016
● Yellow	17	35	590	70	CL2-523Y	1SFA619403R5233	10	0.016
● Blue	17	35	470	10	CL2-523L	1SFA619403R5234	10	0.016
○ Clear	17	35	(1)	225	CL2-523C	1SFA619403R5238	10	0.016

Rated voltage 230 V AC high anti-inductive voltage (2)

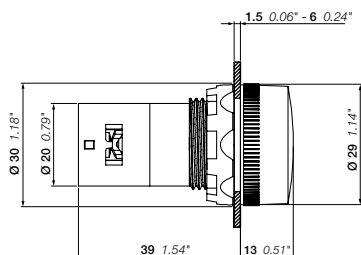
● Red	17	60	625	75	CL2-623R	1SFA619403R6231	10	0.016
● Green	17	80	520	70	CL2-623G	1SFA619403R6232	10	0.016
● Yellow	17	70	590	50	CL2-623Y	1SFA619403R6233	10	0.016
● Blue	17	80	470	5	CL2-623L	1SFA619403R6234	10	0.016
○ Clear	17	80	(1)	155	CL2-623C	1SFA619403R6238	10	0.016

Rated voltage 380 ... 415 V AC

● Red	15-17	55	625	85	CL2-542R	1SFA619403R5421	10	0.016
● Green	15-17	65	520	130	CL2-542G	1SFA619403R5422	10	0.016
● Yellow	15-17	65	590	60	CL2-542Y	1SFA619403R5423	10	0.016
● Blue	15-17	65	470	10	CL2-542L	1SFA619403R5424	10	0.016
○ Clear	15-17	65	(1)	395	CL2-542C	1SFA619403R5428	10	0.016

(1) X = 0.31, Y = 0.32

(2) Higher threshold to light up LED to be used in application where there is risk of large induced voltages.



CL2

Dimensions (mm, inches)

Compact range

Pilot lights BA 9s



Description

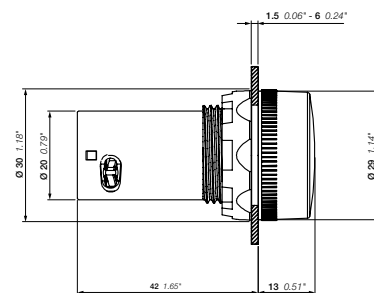
Bulb not included and should be ordered separately, see Accessories section for order codes and information.

Color	Type	Order code	Pkg qty	Weight (1 pce) kg
● Red	CL-100R	1SFA619402R1001	10	0.018
● Green	CL-100G	1SFA619402R1002	10	0.018
● Yellow	CL-100Y	1SFA619402R1003	10	0.018
● Blue	CL-100L	1SFA619402R1004	10	0.018
○ White	CL-100W	1SFA619402R1005	10	0.018
○ Clear	CL-100C	1SFA619402R1008	10	0.018

Accessories for compact range

Flashing LED bulbs for CL-100 pilot lights

Color	Wavelength nm	Type	Order code	Pkg qty	Weight (1 pce) kg
Rated voltage 24 V DC rated current 25 mA, service life > 50 000 h					
● Red	630	–	4950512-1	20	0.005
● Green	565	–	4950512-2	20	0.005
● Yellow	585	–	4950512-3	20	0.005



CL100
Dimensions (mm, inches)

Accessories for compact range

LED bulbs for CL-100 pilot lights



BA9S-6LEDB

15FC151630V0000

Color	Type	Order code	Pkg qty	Weight (1 pce) kg
Rated voltage 6 V AC/DC				
● Red	BA9S-6LEDR	1SFA187163R1001	5	0.002
● Green	BA9S-6LEDV	1SFA187164R1002	5	0.002
● Yellow	BA9S-6LEDG	1SFA187161R1003	5	0.002
● Blue	BA9S-6LEDL	1SFA187162R1004	5	0.002
○ White	BA9S-6LEDB	1SFA187160R1005	5	0.002
Rated voltage 12 V AC/DC				
● Red	BA9S-12LEDR	1SFA187168R1011	5	0.002
● Green	BA9S-12LEDV	1SFA187169R1012	5	0.002
● Yellow	BA9S-12LEDG	1SFA187166R1013	5	0.002
● Blue	BA9S-12LEDL	1SFA187167R1014	5	0.002
○ White	BA9S-12LEDB	1SFA187165R1015	5	0.002
Rated voltage 24 V AC/DC				
● Red	BA9S-24LEDR	1SFA187173R1021	5	0.002
● Green	BA9S-24LEDV	1SFA187174R1022	5	0.002
● Yellow	BA9S-24LEDG	1SFA187171R1023	5	0.002
● Blue	BA9S-24LEDL	1SFA187172R1024	5	0.002
○ White	BA9S-24LEDB	1SFA187170R1025	5	0.002
Rated voltage 48 V AC/DC				
● Red	BA9S-48LEDR	1SFA187178R1031	5	0.002
● Green	BA9S-48LEDV	1SFA187179R1032	5	0.002
● Yellow	BA9S-48LEDG	1SFA187176R1033	5	0.002
● Blue	BA9S-48LEDL	1SFA187177R1034	5	0.002
○ White	BA9S-48LEDB	1SFA187175R1035	5	0.002
Rated voltage 60 V AC/DC				
○ White	BA9S-60LED	1SFA187191R1045	5	0.002
Rated voltage 110–120 V AC/DC				
● Red	BA9S-110LEDR	1SFA187183R1041	5	0.002
● Green	BA9S-110LEDV	1SFA187184R1042	5	0.002
● Yellow	BA9S-110LEDG	1SFA187181R1043	5	0.002
● Blue	BA9S-110LEDL	1SFA187182R1044	5	0.002
○ White	BA9S-110LEDB	1SFA187180R1045	5	0.002
Rated voltage 130 V AC/DC				
○ White	BA9S-130LED	1SFA187190R1045	5	0.002
Rated voltage 230 V AC				
● Red	BA9S-230LEDR	1SFA187188R1051	5	0.002
● Green	BA9S-230LEDV	1SFA187189R1052	5	0.002
● Yellow	BA9S-230LEDG	1SFA187186R1053	5	0.002
● Blue	BA9S-230LEDL	1SFA187187R1054	5	0.002
○ White	BA9S-230LEDB	1SFA187185R1055	5	0.002

Compact range

Non-illuminated selector switches–2-position



15FCL15125V0001

C2SS1-10B-10



15FCL15135V0001

C2SS3-30B-10

Contacts actuated

2-position selector switch
Contacts included,

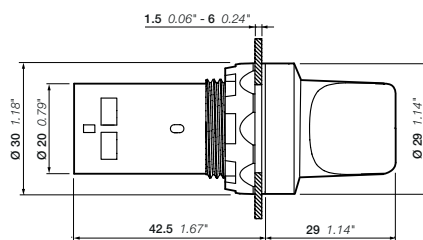
		actuated in position C			
1 NO	11	13	14	12	1
2 NO	11	13	14	12	1
1 NC	21	23	22	24	1
2 NC	21	23	22	24	1
1 NO + 1 NC	11	13	14	12	1

Description

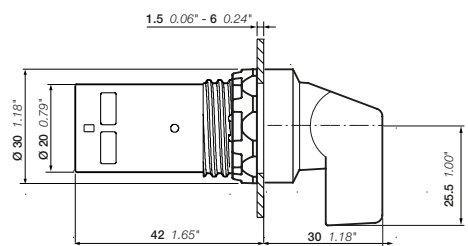
Compact selector switches are delivered in black color.

Operating principle	Bezel	Contacts	Type	Order code	Pkg qty	Weight (1 pce)
						kg
Short handle						
	Black plastic	1 0	C2SS1-10B-10	1SFA619200R1016	10	0.02
		0 1	C2SS1-10B-01	1SFA619200R1046	10	0.02
		1 1	C2SS1-10B-11	1SFA619200R1076	10	0.024
	Chrome metal	2 0	C2SS1-10B-20	1SFA619200R1026	10	0.024
		1 0	C2SS1-30B-10	1SFA619200R3016	10	0.029
		0 1	C2SS1-30B-01	1SFA619200R3046	10	0.029
	Black plastic	1 1	C2SS1-30B-11	1SFA619200R3076	10	0.032
		2 0	C2SS1-30B-20	1SFA619200R3026	10	0.032
		1 0	C2SS2-10B-10	1SFA619201R1016	10	0.02
	Chrome metal	0 1	C2SS2-10B-01	1SFA619201R1046	10	0.02
		1 1	C2SS2-10B-11	1SFA619201R1076	10	0.024
		2 0	C2SS2-10B-20	1SFA619201R1026	10	0.024
	Black plastic	1 0	C2SS2-30B-10	1SFA619201R3016	10	0.029
		0 1	C2SS2-30B-01	1SFA619201R3046	10	0.029
		1 1	C2SS2-30B-11	1SFA619201R3076	10	0.032
	Chrome metal	2 0	C2SS2-30B-20	1SFA619201R3026	10	0.032
		1 0	C2SS3-10B-10	1SFA619202R1016	10	0.02
		0 1	C2SS3-10B-01	1SFA619202R1046	10	0.02
	Black plastic	1 1	C2SS3-10B-11	1SFA619202R1076	10	0.024
		2 0	C2SS3-10B-20	1SFA619202R1026	10	0.024
		1 0	C2SS3-30B-10	1SFA619202R3016	10	0.029
	Chrome metal	1 1	C2SS3-30B-11	1SFA619202R3076	10	0.032
		2 0	C2SS3-30B-20	1SFA619202R3026	10	0.032
		1 0	C2SS5-30B-10	1SFA619204R3016	10	0.029
	Chrome metal	1 1	C2SS5-30B-11	1SFA619204R3076	10	0.032

Long handle



C2SS, short handle
Dimensions (mm, inches)



C2SS, long handle

Compact range

Non-illuminated selector switches–3-position



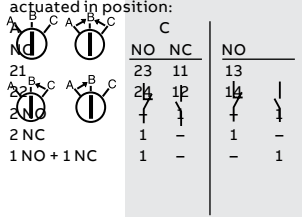
C3SS1-10B-11



C3SS2-30B-20

Contacts actuated

3-position selector switch
Contacts included,
actuated in position:



Description

Compact selector switches operators are delivered in black color.

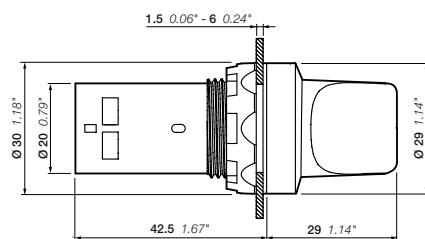
Operating principle	Bezel	Contacts	Type	Order code	Pkg qty	Weight (1 pce)
						kg

Short handle

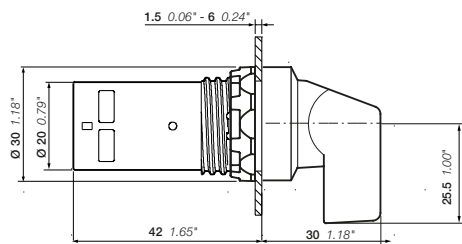
	Black plastic	1 1	C3SS1-10B-11	1SFA619210R1076	10	0.024
	Chrome metal	2 0	C3SS1-10B-20	1SFA619210R1026	10	0.024
	Black plastic	1 1	C3SS2-10B-11	1SFA619211R1076	10	0.024
	Chrome metal	2 0	C3SS2-10B-20	1SFA619211R1026	10	0.024
	Black plastic	1 1	C3SS3-10B-11	1SFA619212R1076	10	0.024
	Chrome metal	2 0	C3SS3-10B-20	1SFA619212R1026	10	0.024
	Black plastic	1 1	C3SS4-10B-11	1SFA619213R1076	10	0.024
	Chrome metal	2 0	C3SS4-10B-20	1SFA619213R1026	10	0.024
	Black plastic	1 1	C3SS5-10B-11	1SFA619214R1076	10	0.024
	Chrome metal	2 0	C3SS5-10B-20	1SFA619214R1026	10	0.024
	Black plastic	1 1	C3SS6-10B-11	1SFA619215R1076	10	0.024
	Chrome metal	2 0	C3SS6-10B-20	1SFA619215R1026	10	0.024

Long handle

	Black plastic	1 1	C3SS4-10B-11	1SFA619213R1076	10	0.024
	Chrome metal	2 0	C3SS4-10B-20	1SFA619213R1026	10	0.024
	Black plastic	1 1	C3SS5-10B-11	1SFA619214R1076	10	0.024
	Chrome metal	2 0	C3SS5-10B-20	1SFA619214R1026	10	0.024



C3SS, short handle
Dimensions (mm, inches)



C3SS, long handle

Compact range

Buzzers



1SFC151519V0001

CB1-600G



1SFC151519V0001

CB1-610R



1SFC151519V0001

CB1-610Y



1SFC151516V0001

CB1-620B

Illuminated

Color	Light and sound output	Rated current mA	Luminance mcd	Type	Order code	Pkg qty	Weight (1 pce) kg
-------	------------------------	---------------------	------------------	------	------------	---------	----------------------

Rated voltage 24 V AC / DC

● Green	Continuous	48	126	CB1-600G	1SFA619600R6002	10	0.021
● Red	Pulsation	53	60	CB1-610R	1SFA619600R6101	10	0.021
● Yellow	Pulsation	53	60	CB1-610Y	1SFA619600R6103	10	0.021

Rated voltage 110 ... 130 V AC

● Green	Continuous	55	126	CB1-601G	1SFA619600R6012	10	0.021
● Red	Pulsation	70	60	CB1-611R	1SFA619600R6111	10	0.021
● Yellow	Pulsation	70	60	CB1-611Y	1SFA619600R6113	10	0.021

Rated voltage 110 ... 130 V DC

● Green	Continuous	15	126	CB1-602G	1SFA619600R6022	10	0.021
● Red	Pulsation	15	60	CB1-612R	1SFA619600R6121	10	0.021
● Yellow	Pulsation	15	60	CB1-612Y	1SFA619600R6123	10	0.021

Rated voltage 230 V AC

● Green	Continuous	55	126	CB1-603G	1SFA619600R6032	10	0.021
● Red	Pulsation	70	60	CB1-613R	1SFA619600R6131	10	0.021
● Yellow	Pulsation	70	60	CB1-613Y	1SFA619600R6133	10	0.021

Non-Illuminated

Color	Sound output	Rated current mA	Luminance mcd	Type	Order code	Pkg qty	Weight (1 pce) kg
-------	--------------	---------------------	------------------	------	------------	---------	----------------------

Rated voltage 24 V AC / DC

● Black	Continuous	40	-	CB1-620B	1SFA619600R6206	10	0.021
	Pulsation	48	-	CB1-630B	1SFA619600R6306	10	0.021

Rated voltage 110 ... 130 V AC

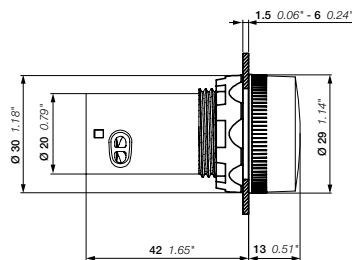
● Black	Continuous	40	-	CB1-621B	1SFA619600R6216	10	0.021
	Pulsation	48	-	CB1-631B	1SFA619600R6316	10	0.021

Rated voltage 110 ... 130 V DC

● Black	Continuous	15	-	CB1-622B	1SFA619600R6226	10	0.021
	Pulsation	15	-	CB1-632B	1SFA619600R6326	10	0.021

Rated voltage 230 V AC

● Black	Continuous	40	-	CB1-623B	1SFA619600R6236	10	0.021
	Pulsation	40	-	CB1-633B	1SFA619600R6336	10	0.021



CB1
Dimensions (mm, inches)

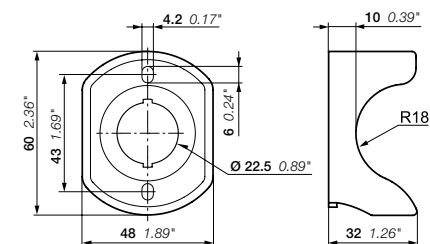
Compact range

Accessories



Description	Bezel / color	Type	Order code	Pkg qty	Weight (1pce) kg
30 mm adapters for 22 mm operator (1.5–4 mm panel thickness)					
Emergency stop pushbuttons, MPM	Black plastic	KA1-8027	1SFA616920R8027	1	0.007
	Chrome metal	KA1-8028	1SFA616920R8028	1	0.021
Pushbuttons, selector switches, pilot lights, potentiometers, emergency stop pushbuttons, MPE	Black plastic	KA1-8029	1SFA616920R8029	1	0.010
Flush mounted pushbuttons	Chrome metal	KA1-8073	1SFA616920R8073	1	0.050
Flush mounted selector switches	Chrome metal	MA1-8074	1SFA611920R8074	1	0.050
Protective membrane, silicone					
Flush pushbutton		MA1-8052	1SFA611920R8052	10	0.002
Extended pushbutton		MA1-8002	1SFA611920R8002	10	0.002
Protective ring					
To prevent accidental operation. Cannot be used together with Legend plate holder					
Flush and extended pushbuttons	Clear plastic	-	SK615512-1	10	0.002
Flush pushbuttons	Metal and black plastic	KA1-8010	1SFA616920R8010	10	0.008
Bezel					
Pushbuttons	Black plastic	KA1-8022	1SFA616920R8022	10	0.002
	Chrome plastic	KA1-8020	1SFA616920R8020	10	0.002
	Chrome metal	KA1-8021	1SFA616920R8021	10	0.015
Selector switches	Black plastic	CA1-8077	1SFA619920R8077	10	0.002
	Chrome metal	CA1-8078	1SFA619920R8078	10	0.010
Square bezel					
Black plastic		-	SK616016-2	10	0.001
Lockable shroud					
Pushbuttons, selector switches	Plastic	MA1-8153	1SFA611920R8153	10	0.023
Emergency stop 30 mm	Metal	-	SK615502-D	1	0.080
Touch guard					
Touch guard		MA1-8152	1SFA611920R8152	10	0.023
Shroud with anti rotation tabs, slot for water drainage					
Emergency stop, machine stop 40 mm	● Yellow	CA1-8053	1SFA619920R8053	10	0.016
	● Grey	CA1-8054	1SFA619920R8054	10	0.016
Lamp changing tool					
Lamp changing tool		KA1-8072	1SFA616920R8072	1	0.002

Note: Din-rail adapter should be used with 2 contact blocks for rear mounting type MCB..B.



CA1
Dimensions (mm, inches)

Compact range Accessories



CA1-8080

1SFCL151276V0001



MA1-8015

1SFCL151275V0001



MA1-8149

1SFCL151004F0001



MA1-8019

1SFCL151385V0001

Description	Bezel / color	Type	Order code	Pkg qty	Weight (1pce) kg
DIN-rail adapter					
DIN-rail adapter with 2 dummy block		CA1-8080	1SFA619920R8080	1	0.028
Mounting tools					
For tightening the locking nut					
Plastic / Mounting tool manual		MA1-8015	1SFA611920R8015	1	0.021
Metal / Mounting tool for power tool		MA1-8149	1SFA611920R8149	1	0.155
Extra key					
Key code 455			SK616021-71	10	0.007
Key code 421			SK616021-72	10	0.007
Key code 3433-E			SK616021-73	10	0.007
Locking nut					
Locking nut		MA1-8019	1SFA611920R8019	10	0.001

Compact range

Technical data

Standards and approvals

IEC / EN 60947-1	Low Voltage switchgear and control gear- Part 1: General rules
IEC / EN 60947-5-1	Low Voltage switchgear and control gear- part 5-1: control circuit devices and switching elements–Electromechanical control circuit devices
IEC / EN 60947-5-5	Low Voltage switchgear and control gear- part 5-5: control circuit devices and switching elements–Electrical emergency stop device with mechanical latching function
IEC / EN 60073	Basic and safety principles for man-machine interface, marking and identification coding principles for indicators and actuators
IEC / EN 60529	Degrees of protection provided by enclosures (IP code)
EN 50013	Low Voltage switchgear and control gear for industrial use, terminal marking and distinctive number for particular control switches
DIN 40050-9	Road vehicles; degrees of protection (IP-code); protection against foreign objects; water and contact; electrical equipment
UL 508	Industrial control equipment
CSA C22.2 No 14	Industrial control equipment

Environmental data

Degrees of protection

Operators	IEC/EN DIN	UL/CSA
Pushbutton	IP66, IP67 and IP69K	Type 1, 3R, 4, 4X, 12, 13
Selector switches	IP66, IP67 and IP69K	Type 1, 3R, 4, 4X, 12, 13
Buzzer	IP66, IP67 and IP69K	Type 1, 3R, 4, 4X, 12, 13
Heavy duty	IP66, IP67 and IP69K	Type 1, 3R, 4, 4X, 12, 13
Pilot lights	IP66, IP67 and IP69K	Type 1, 3R, 4, 4X, 12, 13
Emergency stops	IP66, IP67 and IP69K	Type 1, 3R, 4, 4X, 12, 13
Terminals	IP20	-











Temperature

Ambient temperature during operation	-25 to +70 °C
Storage temperature	-40 to +85 °C











Technical data

Connecting capacity

Compact range M3.0 (pushbutton, selector switch, emergency stop)

	1x 0.5...1.5 mm ²
	2x 0.5...1.5 mm ²
	1x 0.5...1.5 mm ²
	2x 0.5...1.5 mm ²
	1x 0.5...1.5 mm ²
	2x 0.5...1.5 mm ²
	1x 0.5...1.5 mm ²
	2x 0.5...1.5 mm ²
	L < 5.9 mm
	L > 3.0 mm
Stripping length	6.0 mm

Compact range M3.5 (Pilot light)

	1x 0.75...2.5 mm ²
	2x 0.75...2.5 mm ²
	1x 0.75...2.5 mm ²
	2x 0.75...2.5 mm ²
	1x 0.75...2.5 mm ²
	2x 0.75...2.5 mm ²
	1x 0.75...2.5 mm ²
	2x 0.75...2.5 mm ²
	L < 7.0 mm
	L > 3.5 mm
Stripping length	8.0 mm

Tightening torque

Cable terminals M3	0.8 Nm
Cable terminals M3.5	0.9 Nm
Recommended screw- driver for cable terminal	Pozidriv 2
Operators locking nut	Min. 2 Nm / Max. 2.3 Nm

Short circuit protection

Max. fuse at 1 kA	gG 10A
-------------------	--------

Mechanical life

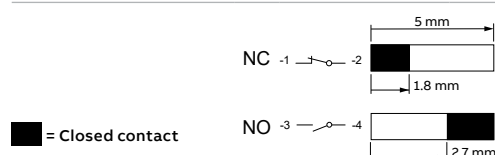
Pushbuttons, selector switches, heavy duty	500 000 operations
Emergency stop pushbutton	50 000 operations

LED products (Pilot lights, illuminated pushbuttons)

Service life for LED means number of service hours until the brightness has been reduced down 50%. Service life 50 000 h, operating at 25 °C, 40~70%rh (relative humidity)

Color of white LED	x = 0.31 Y = 0.32 means the position of color in the ICI chromaticity diagram
Voltage tolerance on LED	-30 to +10% voltage is acceptable without affecting the service life
Voltage peaks on LED	Voltage peaks up to 1000 V current peaks up to 500 mA during a few msec
Glowing light	All integrated LED have a function built in to cut leakage currents
Rated frequency	50/60 Hz for AC supplied products

Make-and-break contacts



Compact range

Technical data

Material		
No ozone depleting substances in the products.		
All front of panel plastic components are made of polycarbonate		
PC polycarbonate	High impact strength, good outdoor resistance. Chemical resistance (see table below)	
PSU polysulphone	Can withstand high temperatures, acids, basic solutions, alkaline compounds, oils, alcohols	
PA polyamide	Can withstand high temperatures, aliphatic, aromatic and chlorinated hydrocarbons, esters, ketone-aldehydes, alcohols and basic solutions	
PBT	Can withstand high temperature, aliphatic and aromatic hydrocarbons, acids, basic solutions, alcohols, grease and oils	
Zinc	Good corrosion resistance in inland-, sea and industrial atmosphere	
Light-alloy	Good corrosion resistance in inland-, sea and industrial atmosphere	
Chemical resistance for polycarbonate		
Chemical class	Effects	
Acids	No significant effect under most typical conditions of concentration and temperature	
Alcohols and alkalis	Generally compatible at low concentration and room temperature. Higher concentrations and elevated temperatures can result in etching and attack evidenced by decomposition	
Aliphatic hydrocarbons	Generally compatible	
Amines	Surface crystallization and chemical attack	Avoid
Aromatic hydrocarbons	Partial solvents and severe stress cracking agents (i.e., xylene, toluene).	Avoid
Detergents and cleaners	Mild soap solutions are generally compatible. Strong alkaline materials should be avoided	
Esters	Cause severe crystallization. Partial solvents.	Avoid
Greases and oils	Pure petroleum types generally compatible. Many additives used with them are not	
Halogenated, hydrocarbons	Solvents.	Avoid
Ketones	Cause severe crystallization and stress cracking. Partial solvents.	Avoid
Silicone oil and greases	Generally compatible up to 85 °C	

Note: Specified degree of protection is for operator mounted on panel. If other items are mounted in between, please make sure that they are correctly sealed.

Electrical data		
Contacts		
Rated frequency	50-60 Hz	
Ratings as per IEC 60947-5-1		
Rated insulation voltage, U_i	300 V	
Rated thermal current, I_{th}	5 A	
Rated operational current, I_e	at: 240 V	1 A
Utilization category AC 15,		
Rated operational current, I_e	at: 24 V	0.3 A
Utilization category DC 13,	at: 125 V	0.2 A
Rated impulse withstand voltage	U_{imp}	6 kV
Pollution degree	3	
Ratings as per UL, CSA, NEMA		
	C300	R300
	AC	DC
Rated insulation voltage	250 V	250 V
Rated thermal current	2.5 A	1 A
Rated operational current	at: 120 V	1.5 A
	at: 125 V	0.22 A
	at: 240 V	0.75 A
	at: 250 V	0.11 A
Short circuit protection		
Max. fuse at 1 kA	gG 10A	
Buzzer		
Short circuit protection		
Max. fuse at 1 kA	gG 10A	
Ratings as per IEC 60947-5-1		
Rated insulation voltage, U_i	300 V	
Rated impulse withstand voltage u_{imp}	4 kV	
Rated frequency	50-60 Hz	
Product service life	> 5000 hours	
Signal output		
Sound level	≥ 80 dB /10 cm	
Audio frequency	6.7 kHz	
Pulsating frequency of light and sound output	2 Hz	

Compact range

Technical data

Illuminated pushbuttons CP

Color	Current		Illuminance of flush cap		Illuminance of extended cap		Anti-inductive peak voltage	Main wavelength	Color temperature
	mA Min.	Max.	lx Min.	Max.	lx Min.	Max.			
Voltage range 24 V AC / DC									
● Red	8.5	11.5	150	600	120	400	5	620 ... 625	–
● Green	8.0	11.0	200	800	150	500	5	515 ... 520	–
● Yellow	8.5	11.5	200	800	120	400	5	585 ... 590	–
● Blue	8.5	10.5	200	500	200	400	5	465 ... 470	–
○ Clear	8.5	10.5	620	1000	360	700	5	–	8000 ... 12000
Voltage range 110 ... 130 V AC / DC									
● Red	6.5	9.0	150	600	100	350	15	620 ... 625	–
● Green	6.5	9.0	150	600	100	350	15	515 ... 520	–
● Yellow	6.5	9.0	150	600	100	350	15	585 ... 590	–
● Blue	6.5	9.0	200	450	180	300	15	465 ... 470	–
○ Clear	6.5	9.0	520	860	300	600	15	–	8000 ... 12000
Voltage range 230 V AC / DC									
● Red	4.0	6.0	150	600	120	400	15	620 ... 625	–
● Green	4.0	6.0	150	900	150	500	15	515 ... 520	–
● Yellow	4.0	6.0	150	600	150	500	15	585 ... 590	–
● Blue	4.0	6.0	250	500	250	400	15	465 ... 470	–
○ Clear	4.0	6.0	650	1050	380	720	15	–	8000 ... 12000

Note: The testing distance of illuminance is 2 mm between top lens and sensor surface. Clean test environment, supply voltage at 50 / 60 Hz with harmonized wave and without high frequency.

Compact range

Technical data

Pilot light CL2

Color	Current		Illuminance		Anti-inductive peak voltage V	Main wavelength Nm	Color temperature K
	mA Min.	Max.	lx Min.	Max.			
Voltage range 6.3 V DC							
● Red	13	16	45	250	2	620 ... 625	–
● Green	9.5	12.5	114	245	2	515 ... 520	–
● Yellow	13	16	65	210	2	585 ... 590	–
● Blue	9.5	12.5	8	35	2	465 ... 470	–
○ Clear	10	13	300	850	2	–	8000 ... 12000
Voltage range 12 V DC							
● Red	14	16	100	280	2	620 ... 625	–
● Green	12	14	165	310	2.5	515 ... 520	–
● Yellow	13.5	16	85	230	2.5	585 ... 590	–
● Blue	12	14	10	50	2.5	465 ... 470	–
○ Clear	12.5	14.5	480	850	2.5	–	8000 ... 12000
Voltage range 24 V AC / DC							
● Red	14	16	75	240	6	620 ... 625	–
● Green	13.5	15	120	320	6	515 ... 520	–
● Yellow	14	16	55	230	6	585 ... 590	–
● Blue	13.5	15	8	30	6	465 ... 470	–
○ Clear	13.5	15	450	700	6	–	8000 ... 12000
Voltage range 48 ... 60 V AC / DC							
● Red	14.5	16.5	75	200	7	620 ... 625	–
● Green	14.5	16.5	140	340	7	515 ... 520	–
● Yellow	14.5	16.5	55	330	7	585 ... 590	–
● Blue	14.5	16.5	10	45	7	465 ... 470	–
○ Clear	14.5	16.5	550	800	7	–	8000 ... 12000
Voltage range 110 ... 130 V AC							
● Red	14.5	17	85	340	20	620 ... 625	–
● Green	14.5	17	95	400	20	515 ... 520	–
● Yellow	14.5	17	85	250	20	585 ... 590	–
● Blue	14.5	17	8	30	20	465 ... 470	–
○ Clear	14.5	17	400	700	20	–	8000 ... 12000
Voltage range 110 ... 130 V DC							
● Red	7.5	9.5	40	110	20	620 ... 625	–
● Green	7.5	9.5	80	250	20	515 ... 520	–
● Yellow	7.5	9.5	45	165	20	585 ... 590	–
● Blue	7.5	9.5	6	35	20	465 ... 470	–
○ Clear	7.5	9.5	300	400	20	–	8000 ... 12000

Note: The testing distance of illuminance is 2 mm between top lens and sensor surface. Clean test environment, supply voltage at 50 / 60 Hz with harmonized wave and without high frequency.

Compact range

Technical data

Pilot light CL2

Color	Current		Illuminance		Anti-inductive peak voltage	Main wavelength	Color temperature
	mA Min.	Max.	lx Min.	Max.	V	Nm	K
Voltage range 220 V DC							
● Red	5	6	15	85	20	620 ... 625	–
● Green	5	6	55	180	20	515 ... 520	–
● Yellow	5	6	15	115	20	585 ... 590	–
● Blue	5	6	5	35	20	465 ... 470	–
○ Clear	5	6	200	320	20	–	8000 ... 12000
Voltage range 230 V AC							
● Red	14.5	17	85	340	30	620 ... 625	–
● Green	14.5	17	95	400	35	515 ... 520	–
● Yellow	14.5	17	85	235	35	585 ... 590	–
● Blue	14.5	17	8	30	35	465 ... 470	–
○ Clear	14.5	17	400	700	35	–	8000 ... 12000
Voltage range 380 ... 415 V AC							
● Red	14.5	17	85	340	55	620 ... 625	–
● Green	14.5	17	95	400	65	515 ... 520	–
● Yellow	14.5	17	100	270	65	585 ... 590	–
● Blue	14.5	17	8	30	65	465 ... 470	–
○ Clear	14.5	17	400	700	65	–	8000 ... 12000
Voltage range 230 V AC high anti-inductive voltage							
● Red	14.5	17	55	255	60	620 ... 625	–
● Green	14.5	17	60	265	80	515 ... 520	–
● Yellow	14.5	17	45	210	70	585 ... 590	–
● Blue	14.5	17	5	25	80	465 ... 470	–
○ Clear	14.5	17	280	490	80	–	8000 ... 12000

Note: The testing distance of illuminance is 2 mm between top lens and sensor surface. Clean test environment, supply voltage at 50 / 60 Hz with harmonized wave and without high frequency.

Compact range

Technical data

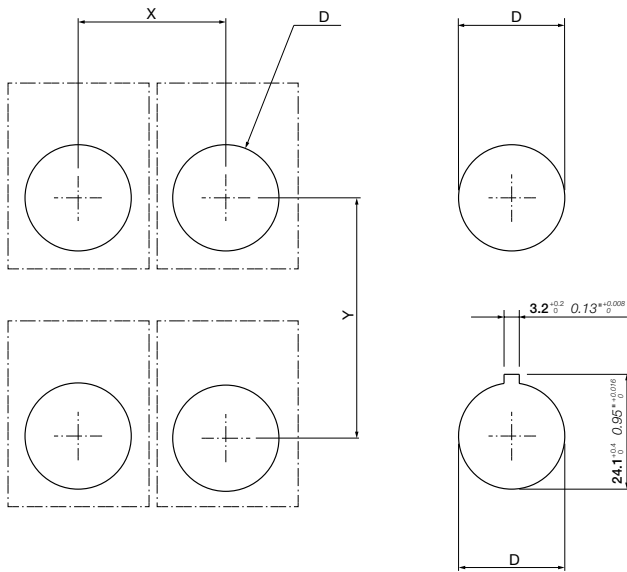
Buzzer CB

Color	Light and sound output	Current			Illuminance		Sound press level (dB/10cm)
		mA Min.		Max.	lx Min.	Max.	
Voltage range 24 V AC / DC							
● Red	Pulsation	63	75	150	450		≥90
● Yellow	Pulsation	63	75	70	300		≥90
● Green	Continuous	43	53	150	600		≥90
● Black	Pulsation	58	72	–	–		≥90
● Black	Continuous	40	50	–	–		≥90
Voltage range 110 ... 30 V AC							
● Red	Pulsation	71	81	70	300		≥90
● Yellow	Pulsation	72	87	150	450		≥90
● Green	Continuous	50	60	150	600		≥90
● Black	Pulsation	42	54	–	–		≥90
● Black	Continuous	40	50	–	–		≥90
Voltage range 110 ... 130 V DC							
● Red	Pulsation	13	18	5	50		≥80
● Yellow	Pulsation	13	18	5	50		≥80
● Green	Continuous	13	18	15	100		≥80
● Black	Pulsation	13	18	–	–		≥80
● Black	Continuous	13	18	–	–		≥80
Voltage range 230 V AC							
● Red	Pulsation	70	84	150	450		≥90
● Yellow	Pulsation	72	82	70	300		≥90
● Green	Continuous	50	62	350	900		≥90
● Black	Pulsation	42	54	–	–		≥90
● Black	Continuous	43	53	–	–		≥90

Note: The testing distance of illuminance is 2 mm between top lens and sensor surface. Clean test environment, supply voltage at 50 / 60 Hz with harmonized wave and without high frequency.
Fluctuation of rated voltage: -10% to +10%.

Compact range

Drilling plan



Type	Description	X	Y	D		Panel thickness
				Ø mm	inch	
CP, CL, CSS, CB	Pushbutton, Pilot light, Selector switch, Buzzer	31 1.22"	50 1.97"	Ø 22.3 ^{+0.4} ₀	0.88" ^{+0.016} ₀	1.5 0.06"–6 0.24"
CP, CL, CSS, CB	Pushbutton, Pilot light, Selector switch, Buzzer (with legend plate)	31 1.22"	55 2.17"	Ø 22.3 ^{+0.4} ₀	0.88" ^{+0.016} ₀	1.5 0.06"–6 0.24"
CPM, CP6, CE	Mushroom pushbutton, Heavy duty pushbutton	41 1.61"	55 2.17"	Ø 22.3 ^{+0.4} ₀	0.88" ^{+0.016} ₀	1.5 0.06"–6 0.24"

Pilot devices

Enclosures and assembled stations

Ordering details

123	Plastic enclosures for modular and compact range
124	Accessories for plastic enclosures
125	LED blocks for rear mounting
127	Legend plate holders and inserts
128	Legend plate for plastic enclosures MEP and CEP
129	Selector switches for vertical mounting
130	Assembled stations
131	Assembled stations–Dimensions

Enclosures



Plastic enclosure for modular and compact

This enclosure can fit both modular and compact operators with the unique possibility to mount up to 5 contact blocks assigned to one operator.

Degree of protection: IP66 UL/NEMA type 1, 3R, 4, 4X, 12, 13

Compact plastic enclosure

The compact enclosure is one of the smallest on the market intended for compact operators.

Degree of protection: IP66, 67, 69K UL/NEMA type 1, 3R, 4, 4X, 12, 13



Metal enclosure

Metal line is made in addition to our plastic lines when metal is required. Featuring a high protection degree and large installation space.

Degree of protection: IP66, 67, 69K

Assembled stations

We can also offer some of the most common assembled stations as a standard in combination with both modular and compact range.



Enclosures

Plastic enclosures for modular and compact range



Description

When ordering complete enclosures:

- Select operators (modular or compact)
- For modular, select contact blocks and LED blocks for rear mounting (in accessories section)
- Per operator select between
 - One legend plate
 - One shroud (only for 1-seat)
 - One spacer
 - No accessory (only for compact range)
- Select cable gland

UL-listed applications: For end of line use only

According to the safety of machinery EN / ISO 13850 emergency stop pushbuttons should be mounted on yellow background

Description	Color	Holes for cable gland	Type	Order code	Pkg qty	Weight (1 pce) kg
-------------	-------	-----------------------	------	------------	---------	-------------------

Plastic enclosures

Empty plastic enclosures with stainless steel screws for modular and compact range

1-seat	Dark gray / light gray	M20 and Pg 13.5/ Pg16 and (M20)	MEP1-0	1SFA611811R1000	1	0.15
1-seat	Yellow / light gray	M20 and Pg 13.5/ Pg16 and (M20)	MEPY1-0	1SFA611821R1000	1	0.15
2-seat	Dark gray / light gray	M20 and Pg 13.5/ Pg16 and (M20)	MEP2-0	1SFA611812R1000	1	0.17
3-seat	Dark gray / light gray	M20 and Pg 13.5/ Pg16 and (M20)	MEP3-0	1SFA611813R1000	1	0.20
4-seat	Dark gray / light gray	M25/Pg 16 and (M20)	MEP4-0	1SFA611814R1000	1	0.23
6-seat	Dark gray / light gray	M25/Pg 16 and (M20)	MEP6-0	1SFA611816R1000	1	0.30

Shrouds

To be mounted on MEP 1-seat enclosures or on panels

Yellow	MA1-8053	1SFA611920R8053	1	0.02
Grey	MA1-8128	1SFA611920R8128	1	0.02

Compact plastic enclosures

Empty enclosure for compact range

1-seat	Yellow / light gray	M20 and Pg 13.5/ Pg16 and (M20)	CEPY1-0	1SFA619821R1000	1	0.072
1-seat	Dark gray / light gray	M20 and Pg 13.5/ Pg16 and (M20)	CEP1-0	1SFA619811R1000	1	0.072

Shrouds

To be mounted on CEP-series of enclosures or on panel

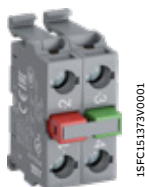
Yellow	CA1-8053	1SFA619920R8053	1	0.016
Grey	CA1-8054	1SFA619920R8054	1	0.016

Enclosures

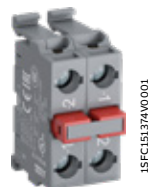
Accessories for plastic enclosures



MCB-10B



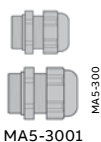
MCB-11B



MCB-02B



MCB-01BG



MA5-3001



MA1-8130



MA1-8129



MA1-8136

Description

To be used with MEP plastic enclosure or on DIN-rail

Description	Contacts	Type	Order code	Pkg qty	Weight (1 pce)
					kg

Contact blocks for rear mounting

Single contact block	1 0	MCB-10B	1SFA611610R2001	10	0.013
	0 1	MCB-01B	1SFA611610R2010	10	0.013
Double contact block	1 1	MCB-11B	1SFA611610R2011	10	0.026
	2 0	MCB-20B	1SFA611610R2002	10	0.026
	0 2	MCB-02B	1SFA611610R2020	10	0.026

Contact blocks with gold plated contacts

Single contact block	1 0	MCB-10BG	1SFA611610R2101	10	0.013
	0 1	MCB-01BG	1SFA611610R2110	10	0.013

Cable glands

Grey plastic, threaded outer sleeve with sealing ring included. Nut not included.

M25	MA5-3001	1SFA611925R3001	10	0.015
M20	MA5-3002	1SFA611925R3002	10	0.015
PG 13.5	MA5-3006	1SFA611925R3006	10	0.010
PG 16	MA5-3007	1SFA611925R3007	10	0.015

Nuts

Grey plastic, for cable glands above

M25	MA5-3003	1SFA611925R3003	10	0.005
M20	MA5-3004	1SFA611925R3004	10	0.005
PG 13.5	MA5-3008	1SFA611925R3008	10	0.001
PG 16	MA5-3009	1SFA611925R3009	10	0.001

Sealing ring for operator hole

For plastic enclosure	MA1-8150	1SFA611920H8150	100	0.001
-----------------------	----------	-----------------	-----	-------

Spacers

Needed when legend plates or shrouds are not used in plastic enclosures with rear mounted contact block. 1 mm thick.

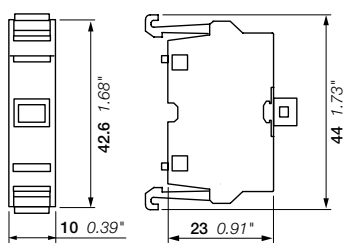
Spacer	-	SK615516-1	10	0.002
Spacer for modular MPMP/T	KA1-8045	1SFA616920R8045	10	0.004
Spacer with rotation stop	MA1-8160	1SFA611920R8160	10	0.003

Blanking plugs

Grey	MA1-8129	1SFA611920R8129	10	0.005
Black	MA1-8130	1SFA611920R8130	10	0.005
Light grey	MA1-8136	1SFA611920R8136	10	0.005

Adapter

PG 16/M20	MA5-3010	1SFA611925R3010	10	0.010
-----------	----------	-----------------	----	-------



MCB

Dimensions (mm, inches)

Enclosures

LED blocks for rear mounting



MLBL-00BW

1SFC15105650201

Description

To be used in MEP plastic enclosure or on DIN-rail

Color	Rated current mA	Wave-length nm	Lumi-nance mcd	Type	Order code	Pkg qty	Weight (1 pce) kg
Rated voltage 12 V DC (1)							
● Red	12.0	620	320	MLBL-00BR	1SFA611621R2001	10	0.012
● Green	9.3	520	1500	MLBL-00BG	1SFA611621R2002	10	0.012
● Yellow	12.0	588	380	MLBL-00BY	1SFA611621R2003	10	0.012
● Blue	9.5	468	450	MLBL-00BL	1SFA611621R2004	10	0.012
○ White	9.3	(2)	600	MLBL-00BW	1SFA611621R2005	10	0.012
Rated voltage 24 V AC / DC (1)							
● Red	9.9	620	250	MLBL-01BR	1SFA611621R2011	10	0.012
● Green	9.2	520	1500	MLBL-01BG	1SFA611621R2012	10	0.012
● Yellow	9.9	588	250	MLBL-01BY	1SFA611621R2013	10	0.012
● Blue	9.3	468	450	MLBL-01BL	1SFA611621R2014	10	0.012
○ White	9.2	(2)	600	MLBL-01BW	1SFA611621R2015	10	0.012
Rated voltage 48 V AC / DC (1)							
● Red	10.0	620	260	MLBL-02BR	1SFA611621R2021	10	0.012
● Green	9.7	520	1500	MLBL-02BG	1SFA611621R2022	10	0.012
● Yellow	10.0	588	300	MLBL-02BY	1SFA611621R2023	10	0.012
● Blue	9.7	468	450	MLBL-02BL	1SFA611621R2024	10	0.012
○ White	9.7	(2)	600	MLBL-02BW	1SFA611621R2025	10	0.012
Rated voltage 60 V AC / DC (1)							
● Red	13.0	620	350	MLBL-03BR	1SFA611621R2031	10	0.012
● Green	12.7	520	2000	MLBL-03BG	1SFA611621R2032	10	0.012
● Yellow	13.0	588	400	MLBL-03BY	1SFA611621R2033	10	0.012
● Blue	12.7	468	550	MLBL-03BL	1SFA611621R2034	10	0.012
○ White	12.7	(2)	750	MLBL-03BW	1SFA611621R2035	10	0.012
Rated voltage 110 ... 130 V AC							
● Red	8.6	620	200	MLBL-04BR	1SFA611621R2041	10	0.012
● Green	8.5	520	1200	MLBL-04BG	1SFA611621R2042	10	0.012
● Yellow	8.6	588	250	MLBL-04BY	1SFA611621R2043	10	0.012
● Blue	7.0	468	400	MLBL-04BL	1SFA611621R2044	10	0.012
○ White	7.0	(2)	500	MLBL-04BW	1SFA611621R2045	10	0.012
Rated voltage 110 ... 130 V DC (1)							
● Red	9.9	620	250	MLBL-05BR	1SFA611621R2051	10	0.012
● Green	9.8	520	1500	MLBL-05BG	1SFA611621R2052	10	0.012
● Yellow	9.9	588	300	MLBL-05BY	1SFA611621R2053	10	0.012
● Blue	9.8	468	450	MLBL-05BL	1SFA611621R2054	10	0.012
○ White	9.8	(2)	600	MLBL-05BW	1SFA611621R2055	10	0.012
Rated voltage 220 V DC (1)							
● Red	8.0	620	180	MLBL-06BR	1SFA611621R2061	10	0.012
● Green	8.0	520	110	MLBL-06BG	1SFA611621R2062	10	0.012
● Yellow	8.0	588	200	MLBL-06BY	1SFA611621R2063	10	0.012
● Blue	8.0	468	450	MLBL-06BL	1SFA611621R2064	10	0.012
○ White	8.0	(2)	600	MLBL-06BW	1SFA611621R2065	10	0.012

Note:

(1) Care should be taken for DC supply where + and – must be correctly connected. This is marked X1 (+) and X2 (-) on the product.

(2) X=0.31, Y=0.32 according to the ICI Chromaticity diagram.

For technical data, please refer to modular range section.

Enclosures

LED blocks for rear mounting



MLBL-07BW

1SFC15105650201

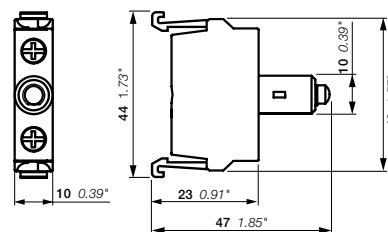
Description

To be used in MEP plastic enclosure or on DIN-rail

Color	Rated current mA	Wave-length nm	Lumi-nance mcd	Type	Order code	Pkg qty	Weight (1 pce) kg
Rated voltage 230 V AC							
● Red	9.5	620	250	MLBL-07BR	1SFA611621R2071	10	0.012
● Green	9.4	520	1500	MLBL-07BG	1SFA611621R2072	10	0.012
● Yellow	9.5	588	300	MLBL-07BY	1SFA611621R2073	10	0.012
● Blue	8.2	468	450	MLBL-07BL	1SFA611621R2074	10	0.012
○ White	8.2	(2)	600	MLBL-07BW	1SFA611621R2075	10	0.012
Rated voltage 380 V AC							
● Red	10.2	620	250	MLBL-08BR	1SFA611621R2081	10	0.012
● Green	10.2	520	1500	MLBL-08BG	1SFA611621R2082	10	0.012
● Yellow	10.2	582	300	MLBL-08BY	1SFA611621R2083	10	0.012
● Blue	9.1	468	450	MLBL-08BL	1SFA611621R2084	10	0.012
○ White	9.1	(2)	600	MLBL-08BW	1SFA611621R2085	10	0.012
Rated voltage 415 V AC							
● Red	11.2	620	280	MLBL-09BR	1SFA611621R2091	10	0.012
● Green	11.2	520	1800	MLBL-09BG	1SFA611621R2092	10	0.012
● Yellow	11.2	588	350	MLBL-09BY	1SFA611621R2093	10	0.012
● Blue	9.9	468	500	MLBL-09BL	1SFA611621R2094	10	0.012
○ White	9.9	(2)	650	MLBL-09BW	1SFA611621R2095	10	0.012

Note:

- (1) Care should be taken for DC supply where + and – must be correctly connected. This is marked X1 (+) and X2 (-) on the product.
 - (2) X=0.31, Y=0.32 according to the ICI Chromaticity diagram.
- For technical data, please refer to modular range section.

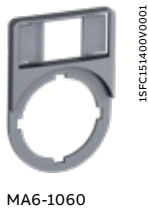


MLBL

Dimensions (mm, inches)

Enclosures

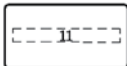
Legend plate holders and inserts



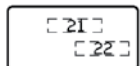
MA6-1060



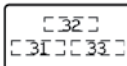
MA6-1061



1-position insert



2-position insert



3-position insert

Description

For Ø 22 mm operator, can be used with MEP plastic enclosures, laser marked with text or symbols. Inserts are made of plastic and aluminum laminate.

Description	Type	Order code	Pkg qty	Weight (1pce) kg
Legend plate holder				
Grey plastic	MA6-1060	1SFA611930R1060	10	0.002

Insert

Without text or symbol	MA6-1061	1SFA611930R1061	10	0.001
------------------------	----------	-----------------	----	-------

1-position inserts

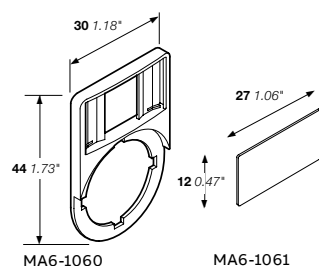
O	MA6-1062	1SFA611930R1062	10	0.001
I	MA6-1063	1SFA611930R1063	10	0.001
II	MA6-1064	1SFA611930R1064	10	0.001
→	MA6-1065	1SFA611930R1065	10	0.001
→	MA6-1130	1SFA611930R1130	10	0.001
→ →	MA6-1131	1SFA611930R1131	10	0.001
Close	MA6-1132	1SFA611930R1132	10	0.001
Open	MA6-1133	1SFA611930R1133	10	0.001
On	MA6-1134	1SFA611930R1134	10	0.001
Off	MA6-1135	1SFA611930R1135	10	0.001
Fast	MA6-1136	1SFA611930R1136	10	0.001
Slow	MA6-1137	1SFA611930R1137	10	0.001
Down	MA6-1138	1SFA611930R1138	10	0.001
Up	MA6-1139	1SFA611930R1139	10	0.001
Start	MA6-1140	1SFA611930R1140	10	0.001
Stop	MA6-1141	1SFA611930R1141	10	0.001
Forward	MA6-1152	1SFA611930R1152	10	0.001
Reverse	MA6-1153	1SFA611930R1153	10	0.001

2-position inserts for selector switches

Pos.21	Pos.22				
O	I	MA6-1170	1SFA611930R1170	10	0.001
I	II	MA6-1171	1SFA611930R1171	10	0.001
→	→ →	MA6-1172	1SFA611930R1172	10	0.001
Off	On	MA6-1173	1SFA611930R1173	10	0.001
Stop	Start	MA6-1174	1SFA611930R1174	10	0.001
Low	High	MA6-1175	1SFA611930R1175	10	0.001
Slow	Fast	MA6-1176	1SFA611930R1176	10	0.001
Close	Open	MA6-1177	1SFA611930R1177	10	0.001
Jog	Run	MA6-1178	1SFA611930R1178	10	0.001
Hand	Auto	MA6-1179	1SFA611930R1179	10	0.001

3-position inserts for selector switches

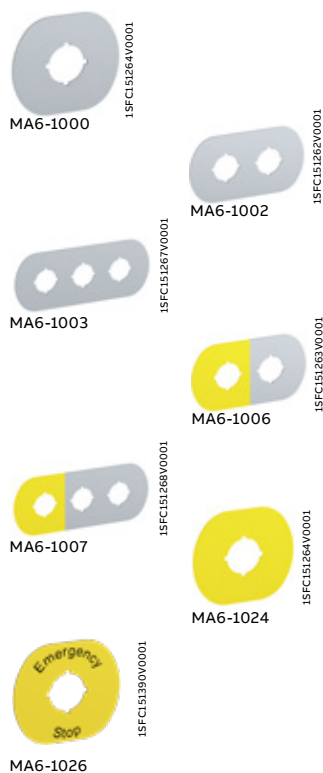
Pos.31	Pos.32	Pos.33				
←	O	→	MA6-1190	1SFA611930R1190	10	0.001
→	O	→ →	MA6-1191	1SFA611930R1191	10	0.001
I	O	II	MA6-1192	1SFA611930R1192	10	0.001
Hand	O	Auto	MA6-1193	1SFA611930R1193	10	0.001
Slow	Off	Fast	MA6-1194	1SFA611930R1194	10	0.001



Dimensions (mm, inches)

Enclosures

Legend plates for plastic enclosures MEP and CEP



Legend plates for MEP plastic enclosures

For Ø 22 mm operator, plastic and aluminum laminate with adhesive back. Combine the emergency stop with the yellow legend plates without text to conform with safety of machinery standard EN/ISO 13850.

Description	Text symbol	Type	Order code	Pkg qty	Weight (1pce) kg
Aluminum and plastic laminate					
1-seat	without text	MA6-1000	1SFA611930R1000	10	0.004
2-seat	without text	MA6-1002	1SFA611930R1002	10	0.006
3-seat	without text	MA6-1003	1SFA611930R1003	10	0.008
4-seat	without text	MA6-1004	1SFA611930R1004	10	0.010
6-seat	without text	MA6-1005	1SFA611930R1005	10	0.012
1-seat	O	MA6-1012	1SFA611930R1012	10	0.004
1-seat	I	MA6-1013	1SFA611930R1013	10	0.004
2-seat	O I	MA6-1014	1SFA611930R1014	10	0.006
3-seat	O II	MA6-1015	1SFA611930R1015	10	0.008
3-seat	I O II	MA6-1016	1SFA611930R1016	10	0.008

Pos. 1 yellow plastic and aluminum laminate

2-seat	without text	MA6-1006	1SFA611930R1006	10	0.006
3-seat	without text	MA6-1007	1SFA611930R1007	10	0.008
4-seat	without text	MA6-1008	1SFA611930R1008	10	0.010
6-seat	without text	MA6-1009	1SFA611930R1009	10	0.012

Emergency stop legend plates for 1-seat enclosures

For horizontally mounted enclosures. Yellow plastic laminate. 66 x 59 mm.

Without text	MA6-1024	1SFA611930R1024	10	0.004
Nöd Stopp	MA6-1025	1SFA611930R1025	10	0.004
Emergency stop	MA6-1026	1SFA611930R1026	10	0.004
Not Aus	MA6-1027	1SFA611930R1027	10	0.004
ARRET D'URGENCE	MA6-1028	1SFA611930R1028	10	0.004
Hätäseis	MA6-1029	1SFA611930R1029	10	0.004

For vertically mounted enclosures. Yellow plastic laminate. 59 x 66 mm.

Nöd Stopp	MA6-1100	1SFA611930R1100	10	0.004
Emergency stop	MA6-1101	1SFA611930R1101	10	0.004
Not Aus	MA6-1102	1SFA611930R1102	10	0.004
ARRET D'URGENCE	MA6-1103	1SFA611930R1103	10	0.004
Hätäseis	MA6-1104	1SFA611930R1104	10	0.004

Legend plates for CEP plastic enclosures

For Ø 22 mm operator

Description	Text symbol	Type	Order code	Pkg qty	Weight (1pce) kg
-------------	-------------	------	------------	---------	------------------

Emergency stop legend plates

Black text on yellow aluminum plate Ø 59 mm

Without text	CA6-1024	1SFA619930R1024	10	0.004
Emergency stop	CA6-1026	1SFA619930R1026	10	0.004
Not Aus	CA6-1027	1SFA619930R1027	10	0.004

Enclosures

Selector switches for vertical mounting



Description

When ordering complete vertically mounted enclosures:

- Select selector switches for vertical mounting
- Select contact blocks and LED blocks for rear mounting.

Per operator select between:

- One legend plate for vertical enclosures
- One spacer

Select cable gland.

Description	Color	Type	Order code	Pkg qty	Weight (1pce) kg
-------------	-------	------	------------	---------	------------------

2-position selector switch

Short handle, non-illuminated

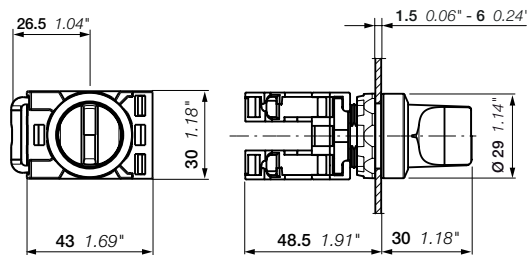
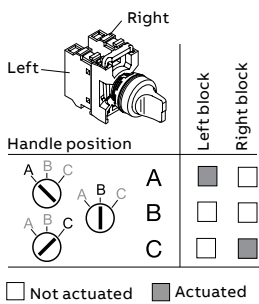
	● Black	M2SSV1-10B	1SFA611220R1006	10	0.015
	● Black	M2SSV2-10B	1SFA611221R1006	10	0.015
	● Black	M2SSV3-10B	1SFA611222R1006	10	0.015

3-position selector switch

Short handle, non-illuminated

	● Black	M3SSV1-10B	1SFA611230R1006	10	0.015
	● Black	M3SSV2-10B	1SFA611231R1006	10	0.015
	● Black	M3SSV3-10B	1SFA611232R1006	10	0.015

Contacts actuated



M2SSV, M3SSV

Dimensions (mm, inches)

Enclosures

Assembled stations



MEPY1-1042

1SFC151415V0001



CEPY1-2001

1SFC151387V0001



MEP2-1001

1SFC151273V0001

Description

Assembled enclosures with emergency stop pushbuttons, yellow / light gray color designed according to the Safety of machinery standard EN/ISO 13850 for emergency stops.

Release method	Contacts	Type	Order code	Pkg qty	Weight (1 pce)
					kg



1-seat plastic enclosures with 40 mm modular emergency stop pushbuttons

Yellow / light gray color

Twist release	0 2	MEPY1-1042	1SFA611821R1042	1	0.240
Twist release	1 2	MEPY1-1041	1SFA611821R1041	1	0.250
Pull release	0 2	MEPY1-1035	1SFA611821R1035	1	0.466
Twist release with plastic legend plate "Emergency stop"	0 2	MEPY1-1040	1SFA611821R1040	1	0.240

1-seat plastic enclosures with 40 mm compact emergency stop pushbuttons

Yellow / light gray color

Twist release	0 2	CEPY1-1001	1SFA619821R1001	1	0.108
Pull release	0 2	CEPY1-1002	1SFA619821R1002	1	0.108
Key release	1 1	CEPY1-1006	1SFA619821R1006	1	0.105
Twist release, yellow shroud	0 2	CEPY1-2001	1SFA619821R2001	1	0.124
Pull release, yellow shroud	0 2	CEPY1-2002	1SFA619821R2002	1	0.124

1-seat plastic enclosures with 40 mm compact machine stop pushbuttons

Dark gray / light gray color

Twist release	1 1	CEP1-1001	1SFA619811R1001	1	0.108
Pull release	1 1	CEP1-1002	1SFA619811R1002	1	0.108
Twist release, gray shroud	1 1	CEP1-2001	1SFA619811R2001	1	0.124
Pull release, gray shroud	1 1	CEP1-2002	1SFA619811R2002	1	0.124

2-seat plastic enclosure with modular pushbuttons

Dark gray / light gray

Two flush pushbuttons, momentary, black bezel

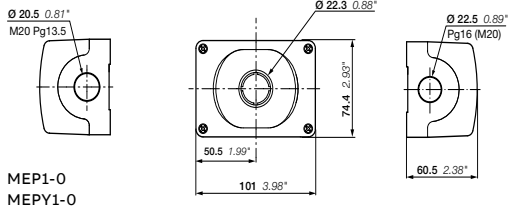
● Green	● Red		MEP2-1001	1SFA611812R1001	1	0.220
1 NO	1 NC					
I	O					

Enclosures

Dimensions

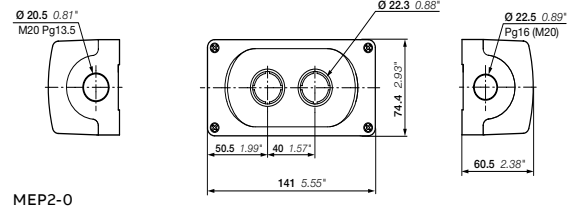
MEP plastic enclosures

1-seat



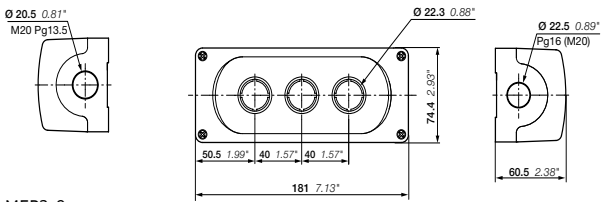
MEP1-0
MEPY1-0

2 seats



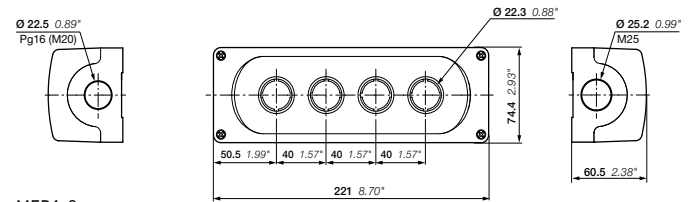
MEP2-0

3-seats



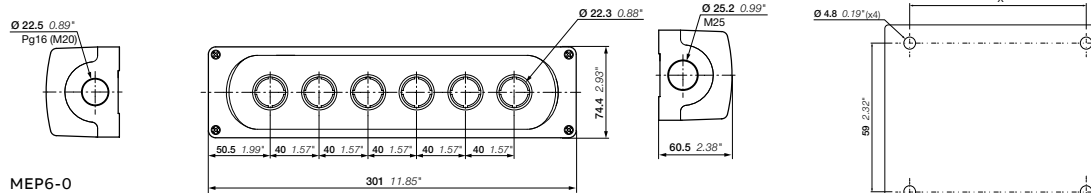
MEP3-0

4-seats

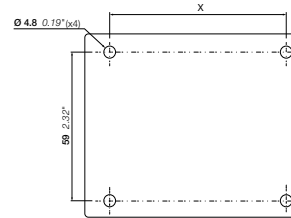


MEP4-0

6-seats



MEP6-0

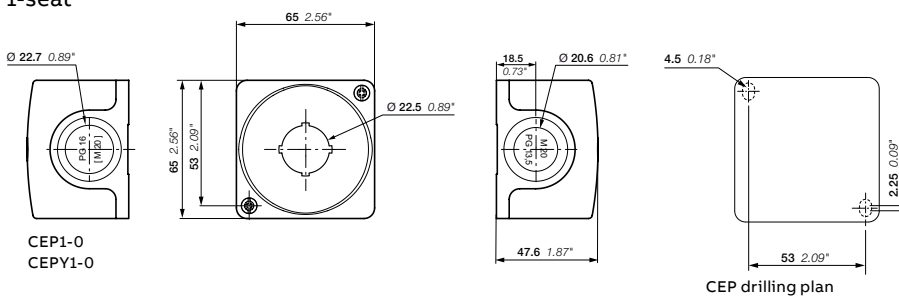


MEP drilling plan

Type	X
1-seat	72 mm / 2.83"
2-seats	112 mm / 4.41"
3-seats	152 mm / 5.98"
4-seats	192 mm / 7.56"
6-seats	272 mm / 10.71"

CEP plastic enclosure for compact range

1-seat



CEP1-0
CEPY1-0

CEP drilling plan

Legend plates and text caps

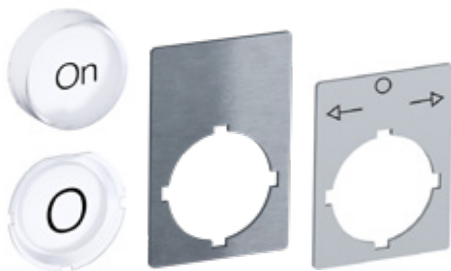
Ordering details

135	Legend plate holder with inserts
136	Legend plates for emergency stop
137	Legend plates for panels
138	Text caps for illuminated pushbuttons and pilot lights

Legend plates and text caps

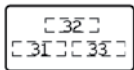
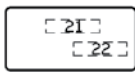
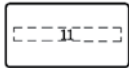


ABB offers a wide range of alternatives to label our products. Choose between marked aluminum legend plates, insert holders with a wide range of marked inserts or text caps to mount under the lens of the pilot device.



Legend plates and text caps

Legend plate holder with inserts



Description

For Ø 22 mm operators installed in panel, laser marked with text or symbols. Inserts made of plastic and aluminum laminate.

Description	Type	Order code	Pkg qty	Weight (1pce) kg
-------------	------	------------	---------	------------------

Legend plate holder

Black plastic	KA1-8120	1SFA616920R8120	100	0.002
---------------	----------	-----------------	-----	-------

Insert

Without text or symbol	KA1-8121	1SFA616920R8121	100	0.001
------------------------	----------	-----------------	-----	-------

1-position inserts

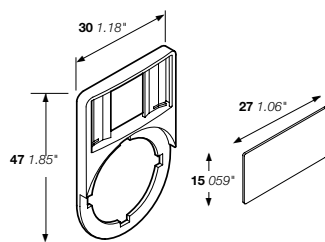
O	MA6-1032	1SFA611930R1032	10	0.001
I	MA6-1033	1SFA611930R1033	10	0.001
→	MA6-1034	1SFA611930R1034	10	0.001
→ →	MA6-1035	1SFA611930R1035	10	0.001
Close	MA6-1036	1SFA611930R1036	10	0.001
Open	MA6-1037	1SFA611930R1037	10	0.001
On	MA6-1038	1SFA611930R1038	10	0.001
Off	MA6-1039	1SFA611930R1039	10	0.001
Fast	MA6-1040	1SFA611930R1040	10	0.001
Slow	MA6-1041	1SFA611930R1041	10	0.001
Down	MA6-1042	1SFA611930R1042	10	0.001
Up	MA6-1043	1SFA611930R1043	10	0.001
Start	MA6-1044	1SFA611930R1044	10	0.001
Stop	MA6-1045	1SFA611930R1045	10	0.001
Reset	MA6-1047	1SFA611930R1047	10	0.001
Run	MA6-1054	1SFA611930R1054	10	0.001
Fault	MA6-1058	1SFA611930R1058	10	0.001
Trip	MA6-1118	1SFA611930R1118	10	0.001
⚙	MA6-1210	1SFA611930R1210	10	0.001

2-position inserts for selector switches

Pos. 21	Pos. 22			
O	I	MA6-1070	1SFA611930R1070	10 0.001
I	II	MA6-1071	1SFA611930R1071	10 0.001
Off	On	MA6-1073	1SFA611930R1073	10 0.001
Stop	Start	MA6-1074	1SFA611930R1074	10 0.001
Low	High	MA6-1075	1SFA611930R1075	10 0.001
Slow	Fast	MA6-1076	1SFA611930R1076	10 0.001
Close	Open	MA6-1077	1SFA611930R1077	10 0.001
Hand	Auto	MA6-1079	1SFA611930R1079	10 0.001

3-position inserts for selector switches

Pos.31	Pos.32	Pos.33		
←	O	→	MA6-1080	1SFA611930R1080 10 0.001
I	O	II	MA6-1082	1SFA611930R1082 10 0.001
Hand	O	Auto	MA6-1083	1SFA611930R1083 10 0.001
Slow	Off	Fast	MA6-1084	1SFA611930R1084 10 0.001
Man		Auto	MA6-1085	1SFA611930R1085 10 0.001
Man	Off	Auto	MA6-1086	1SFA611930R1086 10 0.001
O		I	MA6-1087	1SFA611930R1087 10 0.001



KA1-8120 KA1-8121
Dimensions (mm, inches)

Legend plates and text caps

Legend plates for emergency stop



1SFA616915R1005

1SFC151388V0001



SK615546-2

1SFC151386V0001

Description

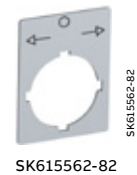
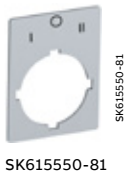
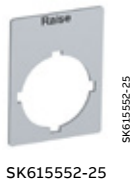
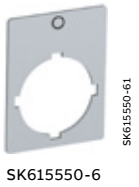
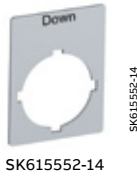
For Ø 22 mm operators installed in panel. Combine the emergency stops with the yellow legend plates and black text to conform with the Safety machinery standard EN/ISO 13850.

Legend plates made of laminate have adhesive back.

Description	Type	Order code	Pkg qty	Weight (1pce) kg
Plastic Ø 70mm				
Without text	KTC15-1038	1SFA616915R1038	10	0.003
Emergency stop	KTC15-1005	1SFA616915R1005	10	0.003
Not Aus	KTC15-6005	1SFA616915R6005	10	0.003
Aluminum Ø 70 mm				
Without text	–	SK615546-8	10	0.010
Nöd Stopp	–	SK615546-1	10	0.010
Emergency stop	–	SK615546-2	10	0.010
Not Aus	–	SK615546-3	10	0.010
ARRET D'URGENCE	–	SK615546-4	10	0.010
HÄTÄSEIS	–	SK615546-5	10	0.010
PARADA DE EMERGENCIA	–	SK615546-6	10	0.010
Emergency stop NOT AUS ARRET D'URGENCE	–	SK615546-13	10	0.010
Noodstop	–	SK615546-15	10	0.010
Aluminum laminate rectangular 59 x 39.5 mm				
Without text	MA6-1010	1SFA611930R1010	10	0.005
Nöd stopp	MA6-1017	1SFA611930R1017	10	0.005
Not haus	MA6-1018	1SFA611930R1018	10	0.005
Emergency stop	MA6-1019	1SFA611930R1019	10	0.005
ARRET D'URGENCE	MA6-1020	1SFA611930R1020	10	0.005
Hätäseis	MA6-1021	1SFA611930R1021	10	0.005
PARADA DE EMERGENCIA	MA6-1022	1SFA611930R1022	10	0.005
Plastic laminate rectangular 59 x 39.5 mm				
Without text	MA6-1011	1SFA611930R1011	10	0.002
Emergency stop	MA6-1023	1SFA611930R1023	10	0.002

Legend plates and text caps

Legend plates for panels



Description

For Ø 22 mm operators, made of silver-gray aluminum.

Type	Order code	Pkg qty	Weight (1pce) kg
Without text			
Legend plate height 39 mm	MA16-1000 1SFA611940R1000	10	0.002
Legend plate height 44 mm	MA16-1001 1SFA611940R1001	10	0.002

1-position engraved for selector switches and pushbuttons

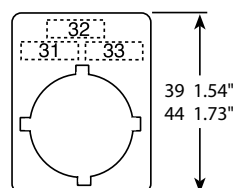
Legend plate height 39 mm

O	–	SK615550-61	10	0.002
I	–	SK615550-62	10	0.002
→	–	SK615562-12	10	0.002
Close	–	SK615552-13	10	0.002
Down	–	SK615552-14	10	0.002
Emergency stop	–	SK615552-15	10	0.002
Fast	–	SK615552-16	10	0.002
Forward	–	SK615552-17	10	0.002
In	–	SK615550-29	10	0.002
Off	–	SK615552-21	10	0.002
On	–	SK615552-22	10	0.002
Open	–	SK615552-23	10	0.002
Raise	–	SK615552-25	10	0.002
Reset	–	SK615552-27	10	0.002
Reverse	–	SK615552-28	10	0.002
Run	–	SK615552-29	10	0.002
Slow	–	SK615552-30	10	0.002
Start	–	SK615550-44	10	0.002
Stop	–	SK615552-31	10	0.002
Up	–	SK615552-32	10	0.002

3-position engraved for selector switches

Legend plate height 39 mm

Pos.31	Pos.32	Pos.33		
I	O	II	–	SK615550-81 10 0.002
←	O	→	–	SK615562-82 10 0.002
Hand	O	Auto	–	SK615550-80 10 0.002



3-position engraved
Dimensions (mm, inches)

Legend plates and text caps

Text caps for illuminated pushbuttons and pilot lights



Description

To be mounted under the lens of illuminated pushbutton or pilot light to add symbol or text. Choose only white text caps with illuminated products due to high opacity of the colored text caps. Choose colored text caps in combination with clear lens.

Text/symbol	Color	Type	Order code	Pkg qty	Weight (1pce) kg
For flush pushbuttons					
Without text	○ White	KTC1-9000	1SFA616901R9000	10	0.001
START	○ White	KTC6-1042	1SFA616906R1042	10	0.001
R	○ White	KTC1-9009	1SFA616901R9009	10	0.001
On	○ White	KTC1-1020	1SFA616901R1020	10	0.001
ON	○ White	KTC1-1039	1SFA616901R1039	10	0.001
	● Green	KTC6-1039	1SFA616906R1039	10	0.001
	● Black	KTC8-1039	1SFA616908R1039	10	0.001
Off	○ White	KTC1-1019	1SFA616901R1019	10	0.001
Stop	○ White	KTC1-1031	1SFA616901R1031	10	0.001
STOP	● Red	KTC4-1047	1SFA616904R1047	10	0.001
Reset	○ White	KTC1-1025	1SFA616901R1025	10	0.001
O	○ White	KTC1-9004	1SFA616901R9004	10	0.001
	● Red	KTC4-9004	1SFA616904R9004	10	0.001
	● Black	KTC8-9004	1SFA616908R9004	10	0.001
I	○ White	KTC1-9002	1SFA616901R9002	10	0.001
	● Green	KTC6-9002	1SFA616906R9002	10	0.001
	● Black	KTC8-9002	1SFA616908R9002	10	0.001
II	○ White	KTC1-9003	1SFA616901R9003	10	0.001
	● Black	KTC8-9003	1SFA616908R9003	10	0.001
III	○ White	KTC1-9028	1SFA616901R9028	10	0.001
+	● Black	KTC8-9011	1SFA616908R9011	10	0.001
-	● Black	KTC8-9012	1SFA616908R9012	10	0.001
↑	○ White	KTC1-9005	1SFA616901R9005	10	0.001
	● Black	KTC8-9005	1SFA616908R9005	10	0.001
↔	● Black	KTC8-9015	1SFA616908R9015	10	0.001
↔	○ White	KTC1-9016	1SFA616901R9016	10	0.001
	● Black	KTC8-9016	1SFA616908R9016	10	0.001
→	○ White	KTC1-9006	1SFA616901R9006	10	0.001
	● Black	KTC8-9018	1SFA616908R9018	10	0.001
⊕	○ White	KTC1-9020	1SFA616901R9020	10	0.001
⊖	○ White	KTC1-9026	1SFA616901R9026	10	0.001
	● Black	KTC8-9026	1SFA616908R9026	10	0.001
For extended pushbuttons					
Without text	○ White	KTC2-9000	1SFA616902R9000	10	0.001
On	○ White	KTC2-1020	1SFA616902R1020	10	0.001
Off	● Red	KTC5-1040	1SFA616905R1040	10	0.001
Stop	○ White	KTC2-1031	1SFA616902R1031	10	0.001
STOP	● Red	KTC5-1047	1SFA616905R1047	10	0.001
Reset	○ White	KTC2-1025	1SFA616902R1025	10	0.001
O	● Red	KTC5-9004	1SFA616905R9004	10	0.001
I	○ White	KTC2-9002	1SFA616902R9002	10	0.001
II	○ White	KTC2-9003	1SFA616902R9003	10	0.001
III	○ White	KTC2-9028	1SFA616902R9028	10	0.001
↑	○ White	KTC2-9005	1SFA616902R9005	10	0.001
↔	○ White	KTC2-9015	1SFA616902R9015	10	0.001
↔	○ White	KTC2-9016	1SFA616902R9016	10	0.001
→	○ White	KTC2-9006	1SFA616902R9006	10	0.001
For pilot lights					
Without text	○ White	KTC3-9000	1SFA616903R9000	10	0.001
On	○ White	KTC3-1020	1SFA616903R1020	10	0.001
ON	○ White	KTC3-1039	1SFA616903R1039	10	0.001
Off	○ White	KTC3-1019	1SFA616903R1019	10	0.001
I	○ White	KTC3-9002	1SFA616903R9002	10	0.001

Pilot devices, 30 mm

Heavy duty oil-tight range

Ordering details

142	Non-illuminated pushbuttons–flush
143	Non-illuminated pushbuttons–extended
144	Illuminated pushbuttons–extended
147	Non-illuminated pushbuttons–44 mm mushroom
149	Non-illuminated pushbuttons–60 mm mushroom
150	Illuminated pushbuttons–44 mm mushroom
152	Illuminated pushbuttons–44 mm metal mushroom
153	Illuminated pushbuttons–60 mm mushroom
154	Non-illuminated pushbuttons–no cap
155	Pilot lights–LED bulb
157	Non-illuminated selector switches
162	Illuminated selector switches
163	Key-operated selector switches–non-illuminated
167	Contact blocks
168	Accessories
171	NEMA enclosures
172	Name plates

174 Technical data

175 Dimensions

30 mm heavy duty oil-tight range

Non-illuminated pushbuttons–flush



A3PBF1-600B-10

1SQA009177R0001



A3PBF1-600G-10

1SQA009181R0001



A3PBF1-600L-10

1SQA009184R0001



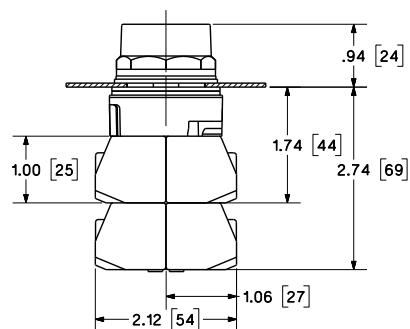
A3PBF1-600R-10

1SQA009189R0001

Description

Each reference includes the satin chrome metal body and nut together with the holder.

Color	Voltage	Contacts	Catalog number	Order code	Pkg qty
Momentary					
Assorted Colors	–	0 0	A3PBF1-6007-00	1SQA009171R0001	1
● ● ● ● ● ● ● ●	–	0 1	A3PBF1-6007-01	1SQA009172R0001	1
–	–	1 0	A3PBF1-6007-10	1SQA009173R0001	1
–	–	1 1	A3PBF1-6007-91	1SQA010758R0001	1
● Black	–	0 0	A3PBF1-600B-00	1SQA009175R0001	1
–	–	0 1	A3PBF1-600B-01	1SQA009176R0001	1
–	–	1 0	A3PBF1-600B-10	1SQA009177R0001	1
–	–	1 1	A3PBF1-600B-91	1SQA010759R0001	1
● Green	–	0 0	A3PBF1-600G-00	1SQA009179R0001	1
–	–	0 1	A3PBF1-600G-01	1SQA009180R0001	1
–	–	1 0	A3PBF1-600G-10	1SQA009181R0001	1
–	–	1 1	A3PBF1-600G-91	1SQA010760R0001	1
● Blue	–	0 0	A3PBF1-600L-00	1SQA009183R0001	1
–	–	1 0	A3PBF1-600L-10	1SQA009184R0001	1
–	–	1 1	A3PBF1-600L-91	1SQA010761R0001	1
● Amber	–	0 0	A3PBF1-600Y-00	1SQA009186R0001	1
● Red	–	0 0	A3PBF1-600R-00	1SQA009187R0001	1
–	–	0 1	A3PBF1-600R-01	1SQA009188R0001	1
–	–	1 0	A3PBF1-600R-10	1SQA009189R0001	1
–	–	1 1	A3PBF1-600R-91	1SQA010762R0001	1
● Yellow	–	0 1	A3PBF1-600Y-01	1SQA009191R0001	1
–	–	1 0	A3PBF1-600Y-10	1SQA009192R0001	1
–	–	1 1	A3PBF1-600Y-91	1SQA010763R0001	1



Momentary pushbutton non-illuminated flush cap
Dimensions inches, [mm]

30 mm heavy duty oil-tight range

Non-illuminated pushbuttons–extended



A3PBE1-600B-11

15QA009158R0001



A3PBE1-600G-91

15QA010755R0001



A3PBE1-600R-91

15QA010755R0001

Description

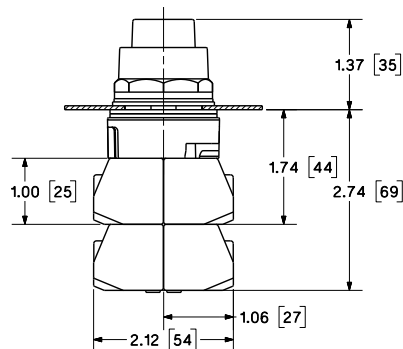
Each reference includes the satin chrome metal body and nut together with the holder.

Color	Voltage	Contacts	Catalog number	Order code	Pkg qty
-------	---------	----------	----------------	------------	---------



Momentary

Assorted Colors	-	0 0	A3PBE1-6007-00	15QA009152R0001	1
● ● ● ● ● ● ● ●	-	0 1	A3PBE1-6007-01	15QA009153R0001	1
	-	1 0	A3PBE1-6007-10	15QA009154R0001	1
	-	1 1	A3PBE1-6007-91	15QA010753R0001	1
● Black	-	0 0	A3PBE1-600B-00	15QA009156R0001	1
	-	0 1	A3PBE1-600B-01	15QA009157R0001	1
	-	1 0	A3PBE1-600B-10	15QA009158R0001	1
	-	1 1	A3PBE1-600B-91	15QA010754R0001	1
● Green	-	0 0	A3PBE1-600G-00	15QA009160R0001	1
	-	0 1	A3PBE1-600G-01	15QA009161R0001	1
	-	1 0	A3PBE1-600G-10	15QA009162R0001	1
	-	1 1	A3PBE1-600G-91	15QA010755R0001	1
● Red	-	0 0	A3PBE1-600R-00	15QA009164R0001	1
	-	0 1	A3PBE1-600R-01	15QA009165R0001	1
	-	1 0	A3PBE1-600R-10	15QA009166R0001	1
	-	1 1	A3PBE1-600R-91	15QA010756R0001	1
● Yellow	-	0 0	A3PBE1-600Y-00	15QA009168R0001	1
	-	1 0	A3PBE1-600Y-10	15QA009169R0001	1
	-	1 1	A3PBE1-600Y-91	15QA010757R0001	1



Momentary pushbutton non-illuminated raised cap
Dimensions inches, [mm]

30 mm heavy duty oil-tight range

Illuminated pushbuttons—extended



A3PLE1-6L2G-91

1SQA010785R0001



A3PLE1-6L2M-91

1SQA010787R0001



A3PLE1-6L2R-91

1SQA010788R0001



A3PLE1-6L2W-91

1SQA010789R0001

Description

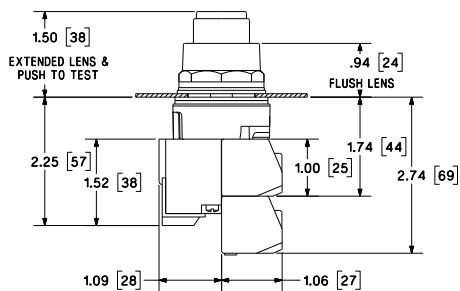
Each reference includes the satin chrome metal body and nut together with the holder.

Color	Voltage	Contacts	Catalog number	Order code	Pkg qty
-------	---------	----------	----------------	------------	---------



Momentary – full voltage

○ Clear	24 V AC/DC	1 1	A3PLE1-6L2C-91	1SQA010784R0001	1
● Green	24 V AC/DC	1 0	A3PLE1-6L2G-10	1SQA009218R0001	1
	24 V AC/DC	1 1	A3PLE1-6L2G-91	1SQA010785R0001	1
● Blue	24 V AC/DC	1 1	A3PLE1-6L2L-91	1SQA010786R0001	1
● Amber	24 V AC/DC	0 0	A3PLE1-6L2M-00	1SQA009221R0001	1
	24 V AC/DC	1 0	A3PLE1-6L2M-10	1SQA009222R0001	1
	24 V AC/DC	1 1	A3PLE1-6L2M-91	1SQA010787R0001	1
● Red	24 V AC/DC	0 0	A3PLE1-6L2R-00	1SQA009224R0001	1
	24 V AC/DC	1 1	A3PLE1-6L2R-91	1SQA010788R0001	1
○ White	24 V AC/DC	1 0	A3PLE1-6L2W-10	1SQA009226R0001	1
	24 V AC/DC	1 1	A3PLE1-6L2W-91	1SQA010789R0001	1
○ Clear	120 V AC/DC	1 1	A3PLE1-6L4C-91	1SQA010790R0001	1
● Green	120 V AC/DC	0 0	A3PLE1-6L4G-00	1SQA009229R0001	1
	120 V AC/DC	1 0	A3PLE1-6L4G-10	1SQA009230R0001	1
	120 V AC/DC	1 1	A3PLE1-6L4G-91	1SQA010791R0001	1
● Blue	120 V AC/DC	1 1	A3PLE1-6L4L-91	1SQA010792R0001	1
● Amber	120 V AC/DC	0 0	A3PLE1-6L4M-00	1SQA009233R0001	1
	120 V AC/DC	1 1	A3PLE1-6L4M-91	1SQA010793R0001	1
● Red	120 V AC/DC	0 0	A3PLE1-6L4R-00	1SQA009235R0001	1
	120 V AC/DC	1 0	A3PLE1-6L4R-10	1SQA009236R0001	1
	120 V AC/DC	1 1	A3PLE1-6L4R-91	1SQA010794R0001	1
○ White	120 V AC/DC	1 0	A3PLE1-6L4W-10	1SQA009238R0001	1
	120 V AC/DC	1 1	A3PLE1-6L4W-91	1SQA010795R0001	1



Illuminated pushbutton flush lens
 Illuminated pushbutton extended lens
 Illuminated push to test

Dimensions inches, [mm]

30 mm heavy duty oil-tight range

Illuminated pushbuttons–extended



A3PLE1-6L5G-91

15QA01079R0001



A3PLE1-6L5M-91

15QA01079R0001



A3PLE1-6L5R-91

15QA01080R0001



A3PLE1-6L5W-91

15QA01080R0001

Description

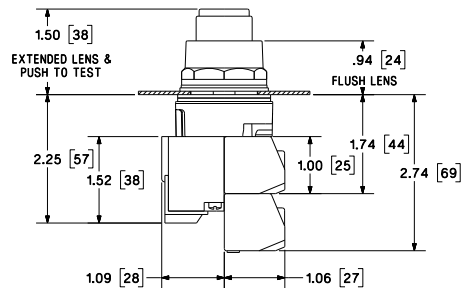
Each reference includes the satin chrome metal body and nut together with the holder.

Color	Voltage	Contacts	Catalog number	Order code	Pkg qty
-------	---------	----------	----------------	------------	---------



Momentary – transformer

○ Clear	120 V AC	1 1	A3PLE1-6L5C-91	15QA010796R0001	1
● Green	120 V AC	0 0	A3PLE1-6L5G-00	15QA009241R0001	1
	120 V AC	1 0	A3PLE1-6L5G-10	15QA009242R0001	1
	120 V AC	1 1	A3PLE1-6L5G-91	15QA010797R0001	1
● Blue	120 V AC	1 1	A3PLE1-6L5L-91	15QA010798R0001	1
● Amber	120 V AC	1 0	A3PLE1-6L5M-10	15QA009245R0001	1
	120 V AC	1 1	A3PLE1-6L5M-91	15QA010799R0001	1
● Red	120 V AC	1 0	A3PLE1-6L5R-10	15QA009247R0001	1
	120 V AC	1 1	A3PLE1-6L5R-91	15QA010800R0001	1
○ White	120 V AC	1 1	A3PLE1-6L5W-91	15QA010801R0001	1
○ Clear	240 V AC	1 1	A3PLE1-6L6C-91	15QA010839R0001	1
● Green	240 V AC	1 1	A3PLE1-6L6G-91	15QA010802R0001	1
● Blue	240 V AC	1 1	A3PLE1-6L6L-91	15QA010803R0001	1
● Amber	240 V AC	1 1	A3PLE1-6L6M-91	15QA010804R0001	1
● Red	240 V AC	1 1	A3PLE1-6L6R-91	15QA010805R0001	1
○ White	240 V AC	1 1	A3PLE1-6L6W-91	15QA010806R0001	1
○ Clear	277 V AC	1 1	A3PLE1-6L7C-91	15QA010825R0001	1
● Green	277 V AC	1 1	A3PLE1-6L7G-91	15QA010820R0001	1
● Blue	277 V AC	1 1	A3PLE1-6L7L-91	15QA010824R0001	1
● Amber	277 V AC	1 1	A3PLE1-6L7M-91	15QA010822R0001	1
● Red	277 V AC	1 1	A3PLE1-6L7R-91	15QA010821R0001	1
○ White	277 V AC	1 1	A3PLE1-6L7W-91	15QA010823R0001	1
○ Clear	480 V AC	1 1	A3PLE1-6L8C-91	15QA010840R0001	1
● Green	480 V AC	1 1	A3PLE1-6L8G-91	15QA010807R0001	1
● Blue	480 V AC	1 1	A3PLE1-6L8L-91	15QA010837R0001	1
● Amber	480 V AC	1 1	A3PLE1-6L8M-91	15QA010808R0001	1
● Red	480 V AC	1 1	A3PLE1-6L8R-91	15QA010809R0001	1
○ White	480 V AC	1 1	A3PLE1-6L8W-91	15QA010835R0001	1
○ Clear	600 V AC	1 1	A3PLE1-6L9C-91	15QA010841R0001	1
● Blue	600 V AC	1 1	A3PLE1-6L9L-91	15QA010838R0001	1
● Amber	600 V AC	1 1	A3PLE1-6L9M-91	15QA010834R0001	1
● Green	600 V AC	1 1	A3PLE1-6L9G-91	15QA010810R0001	1
● Red	600 V AC	1 1	A3PLE1-6L9R-91	15QA010811R0001	1
○ White	600 V AC	1 1	A3PLE1-6L9W-91	15QA010836R0001	1



Illuminated pushbutton flush lens
 Illuminated pushbutton extended lens
 Illuminated push to test

Dimensions inches, [mm]

30 mm heavy duty oil-tight range

Illuminated pushbuttons–extended



A3PLE1-6LBG-11

15QA00526R0001



A3PLE1-6LBM-11

15QA00526R0001



A3PLE1-6LBR-11

15QA00526R0001



A3PLE1-6LLW-11

15QA00526R0001

Description

Each reference includes the satin chrome metal body and nut together with the holder.

Color	Voltage	Contacts	Catalog number	Order code	Pkg qty
-------	---------	----------	----------------	------------	---------

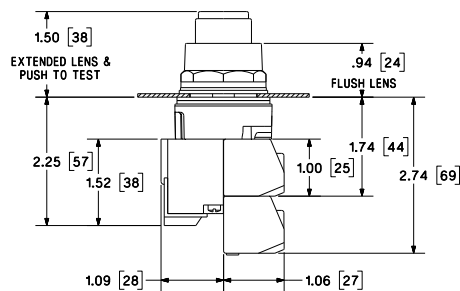


Momentary – full voltage

● Green	6-8 V AC/DC	1 1	A3PLE1-6LBG-91	15QA010812R0001	1
● Blue	6-8 V AC/DC	1 1	A3PLE1-6LBL-91	15QA010813R0001	1
● Amber	6-8 V AC/DC	1 1	A3PLE1-6LBM-91	15QA010814R0001	1
● Red	6-8 V AC/DC	1 1	A3PLE1-6LBR-91	15QA010815R0001	1

Momentary – integrated LED module

○ Clear	6-24V AC/DC	1 1	A3PLE1-6LLC-91	15QA010833R0001	1
● Green	6-24 V AC/DC	1 1	A3PLE1-6LLG-91	15QA010816R0001	1
● Blue	6-24V AC/DC	1 1	A3PLE1-6LLL-91	15QA010832R0001	1
● Amber	6-24 V AC/DC	1 0	A3PLE1-6LLM-10	15QA009265R0001	1
	6-24 V AC/DC	1 1	A3PLE1-6LLM-91	15QA010817R0001	1
● Red	6-24 V AC/DC	1 0	A3PLE1-6LLR-10	15QA009267R0001	1
	6-24 V AC/DC	1 1	A3PLE1-6LLR-91	15QA010818R0001	1
○ White	6-24 V AC/DC	1 1	A3PLE1-6LLW-91	15QA010819R0001	1
○ Clear	24-240V AC/DC	1 1	A3PLE1-6LUC-91	15QA010831R0001	1
● Green	24-240V AC/DC	1 1	A3PLE1-6LUG-91	15QA010826R0001	1
● Blue	24-240V AC/DC	1 1	A3PLE1-6LUL-91	15QA010830R0001	1
● Amber	24-240V AC/DC	1 1	A3PLE1-6LUM-91	15QA010827R0001	1
● Red	24-240V AC/DC	1 1	A3PLE1-6LUR-91	15QA010828R0001	1
○ White	24-240V AC/DC	1 1	A3PLE1-6LUW-91	15QA010829R0001	1



Illuminated pushbutton flush lens
 Illuminated pushbutton extended lens
 Illuminated push to test

Dimensions inches, [mm]

30 mm heavy duty oil-tight range

Non-illuminated pushbuttons–44 mm mushroom



A3PB41-600B-10



A3PB41-600G-10



A3PB41-600R-10

Description

Each reference includes the satin chrome metal body and nut together with the holder.

Color	Voltage	Contacts	Catalog number	Order code	Pkg qty
-------	---------	----------	----------------	------------	---------



Momentary

● Black	–	0 0	A3PB41-600B-00	1SQA009121R0001	1
	–	0 1	A3PB41-600B-01	1SQA009122R0001	1
	–	1 0	A3PB41-600B-10	1SQA009123R0001	1
	–	1 1	A3PB41-600B-91	1SQA010745R0001	1
● Green	–	0 0	A3PB41-600G-00	1SQA009125R0001	1
	–	0 1	A3PB41-600G-01	1SQA009126R0001	1
	–	1 0	A3PB41-600G-10	1SQA009127R0001	1
	–	1 1	A3PB41-600G-91	1SQA010746R0001	1
● Red	–	0 0	A3PB41-600R-00	1SQA009129R0001	1
	–	0 1	A3PB41-600R-01	1SQA009130R0001	1
	–	1 0	A3PB41-600R-10	1SQA009131R0001	1
	–	1 1	A3PB41-600R-91	1SQA010747R0001	1
● Yellow	–	0 0	A3PB41-600Y-00	1SQA009133R0001	1
	–	0 1	A3PB41-600Y-01	1SQA009134R0001	1
	–	1 0	A3PB41-600Y-10	1SQA009135R0001	1
	–	1 1	A3PB41-600Y-91	1SQA010748R0001	1

Maintained push-pull

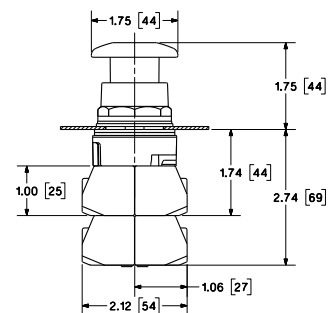
● Black	–	0 1	A3PP42-600B-01	1SQA009270R0001	1
	–	1 1	A3PP42-600B-91	1SQA010842R0001	1
● Green	–	0 1	A3PP42-600G-01	1SQA009272R0001	1
	–	0 0	A3PP42-600R-00	1SQA009273R0001	1
● Red	–	0 1	A3PP42-600R-01	1SQA009274R0001	1
	–	1 1	A3PP42-600R-91	1SQA010843R0001	1
	–	1 1	A3PP43-600R-1N	1SQA010844R0001	1
	–	Extra late break			
● Yellow	–	0 1	A3PP42-600Y-01	1SQA009276R0001	1

Maintained push – momentary pull

● Red	–	1 1	A3PP44-600R-1N	1SQA010845R0001	1
		Extra late break			

Maintained twist – release

● Red	–	0 0	A3PT4R-600R-00	1SQA009333R0001	1
	–	0 1	A3PT4R-600R-01	1SQA009334R0001	1
	–	1 0	A3PT4R-600R-10	1SQA009335R0001	1
	–	1 1	A3PT4R-600R-91	1SQA010881R0001	1



Momentary pushbutton small plastic mushroom head
Dimensions inches, [mm]

Continued on next page

30 mm heavy duty oil-tight range

Non-illuminated pushbuttons–44 mm metal mushroom



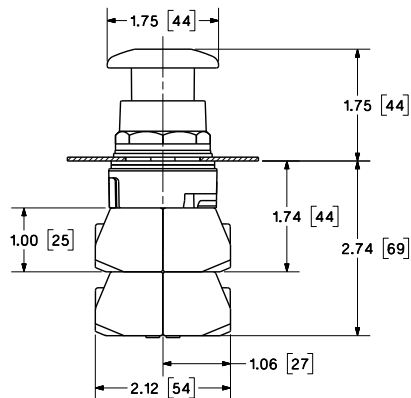
A3PBM1-600R-01

1SQA010177R0001

Description

Each reference includes the satin chrome metal body and nut together with the holder.

Color	Voltage	Contacts	Catalog number	Order code	Pkg qty
Maintained push-pull – full voltage					
● Red	6-8 V AC/DC	0 1	A3PPM2-6LBR-01	1SQA009320R0001	1
Momentary					
● Red	–	1 0	A3PBM1-600R-01	1SQA010177R0001	1
Maintained push-pull					
No Cap	–	0 0	A3PPM2-600N-00	1SQA009308R0001	1
● Red	–	0 0	A3PPM2-600R-00	1SQA009309R0001	1
	–	0 1	A3PPM2-600R-01	1SQA009310R0001	1
	–	1 0	A3PPM2-600R-10	1SQA009311R0001	1
	–	1 1	A3PPM2-600R-91	1SQA010847R0001	1
Maintained push – momentary pull					
● Red	–	1 1	A3PPM4-600R-1N	1SQA010849R0001	1
Extra late break					



Momentary pushbutton small plastic mushroom head


Dimensions inches, [mm]

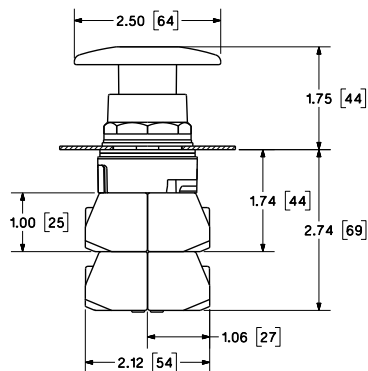
30 mm heavy duty oil-tight range

Non-illuminated pushbuttons–60 mm mushroom

Description

Each reference includes the satin chrome metal body and nut together with the holder.

Color	Voltage	Contacts	Catalog number	Order code	Pkg qty
					
Momentary					
● Black	–	0 0	A3PB61-600B-00	1SQA009137R0001	1
	–	0 1	A3PB61-600B-01	1SQA009138R0001	1
	–	1 0	A3PB61-600B-10	1SQA009139R0001	1
	–	1 1	A3PB61-600B-91	1SQA010749R0001	1
● Green	–	0 0	A3PB61-600G-00	1SQA009141R0001	1
	–	0 1	A3PB61-600G-01	1SQA009142R0001	1
	–	1 0	A3PB61-600G-10	1SQA009143R0001	1
	–	1 1	A3PB61-600G-91	1SQA010750R0001	1
● Red	–	0 0	A3PB61-600R-00	1SQA009145R0001	1
	–	0 1	A3PB61-600R-01	1SQA009146R0001	1
	–	1 0	A3PB61-600R-10	1SQA009147R0001	1
	–	1 1	A3PB61-600R-91	1SQA010751R0001	1
● Yellow	–	0 0	A3PB61-600Y-00	1SQA009149R0001	1
	–	0 1	A3PB61-600Y-01	1SQA009150R0001	1
	–	1 1	A3PB61-600Y-91	1SQA010752R0001	1
Maintained push-pull					
● Red	–	0 0	A3PP62-600R-00	1SQA009304R0001	1
	–	0 1	A3PP62-600R-01	1SQA009305R0001	1
	–	1 1	A3PP62-600R-91	1SQA010846R0001	1



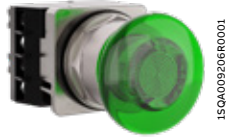
Momentary pushbutton large plastic mushroom head
Dimensions inches, [mm]

30 mm heavy duty oil-tight range

Illuminated pushbuttons–44 mm mushroom



A3PL41-6L2R-11



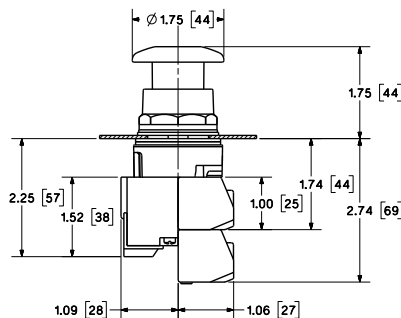
A3PL41-6L2R-11

Description

Each reference includes the satin chrome metal body and nut together with the holder.

Color	Voltage	Contacts	Catalog number	Order code	Pkg qty
Momentary – full voltage					
● Green	24 V AC/DC	1 1	A3PL41-6L2G-91	1SQA010764R0001	1
● Amber	24 V AC/DC	1 1	A3PL41-6L2M-91	1SQA010765R0001	1
● Red	24 V AC/DC	1 1	A3PL41-6L2R-91	1SQA010766R0001	1
● Green	120 V AC/DC	1 1	A3PL41-6L4G-91	1SQA010767R0001	1
● Amber	120 V AC/DC	1 1	A3PL41-6L4M-91	1SQA010768R0001	1
● Red	120 V AC/DC	1 1	A3PL41-6L4R-91	1SQA010769R0001	1
Momentary – transformer					
● Green	120 V AC	1 1	A3PL41-6L5G-91	1SQA010770R0001	1
● Red	120 V AC	0 0	A3PL41-6L5R-00	1SQA009202R0001	1
	120 V AC	1 1	A3PL41-6L5R-91	1SQA010771R0001	1
	240 V AC	1 1	A3PL41-6L6R-91	1SQA010772R0001	1
	600 V AC	1 1	A3PL41-6L9R-91	1SQA010773R0001	1
Momentary – full voltage					
● Green	6-8 V AC/DC	1 1	A3PL41-6L5G-91	1SQA010774R0001	1
● Amber	6-8 V AC/DC	1 1	A3PL41-6L5M-91	1SQA010775R0001	1
● Red	6-8 V AC/DC	1 0	A3PL41-6L5R-10	1SQA009208R0001	1
Momentary – integrated LED module					
● Red	6-24 V AC/DC	1 1	A3PL41-6LLR-91	1SQA010776R0001	1
Maintained push-pull – full voltage					
● Green	24 V AC/DC	1 1	A3PP42-6L2G-91	1SQA010850R0001	1
● Amber	24 V AC/DC	1 1	A3PP42-6L2M-91	1SQA010851R0001	1
● Red	24 V AC/DC	0 1	A3PP42-6L2R-01	1SQA009279R0001	1
	24 V AC/DC	1 0	A3PP42-6L2R-10	1SQA009280R0001	1
	24 V AC/DC	1 1	A3PP42-6L2R-91	1SQA010852R0001	1
● Green	120 V AC/DC	1 1	A3PP42-6L4G-91	1SQA010853R0001	1
● Amber	120 V AC/DC	1 1	A3PP42-6L4M-91	1SQA010854R0001	1
● Red	120 V AC/DC	1 0	A3PP42-6L4R-10	1SQA009284R0001	1
	120 V AC/DC	1 1	A3PP42-6L4R-91	1SQA010855R0001	1

Continued on next page



Illuminated momentary pushbutton small plastic mushroom head

Dimensions inches, [mm]

30 mm heavy duty oil-tight range

Illuminated pushbuttons–44 mm mushroom



A3PP42-6L5R-91

1SQA010858R0001



A3PP42-6LLG-11

1SQA009289R0001

Description

Each reference includes the satin chrome metal body and nut together with the holder.

Color	Voltage	Contacts	Catalog number	Order code	Pkg qty
-------	---------	----------	----------------	------------	---------



Maintained push-pull – transformer

● Green	120 V AC	1 1	A3PP42-6L5G-91	1SQA010856R0001	1
● Amber	120 V AC	1 1	A3PP42-6L5M-91	1SQA010857R0001	1
● Red	120 V AC	0 0	A3PP42-6L5R-00	1SQA009288R0001	1
	120 V AC	0 1	A3PP42-6L5R-01	1SQA009289R0001	1
	120 V AC	1 1	A3PP42-6L5R-91	1SQA010858R0001	1
● Green	480 V AC	1 1	A3PP42-6L8G-91	1SQA010859R0001	1
● Red	600 V AC	1 1	A3PP42-6L9R-91	1SQA010860R0001	1

Maintained push-pull – integrated LED module

● Green	6-24 V AC/DC	1 1	A3PP42-6LLG-91	1SQA010861R0001	1
● Red	6-24 V AC/DC	1 1	A3PP42-6LLR-91	1SQA010862R0001	1

Maintained push-pull – full voltage

● Green	120 V AC/DC	1 1	A3PP43-6L4G-1N	1SQA010863R0001	1
		Extra late break			
● Red	120 V AC/DC	1 1	A3PP43-6L4R-1N	1SQA010864R0001	1
		Extra late break			

Maintained push-pull – transformer

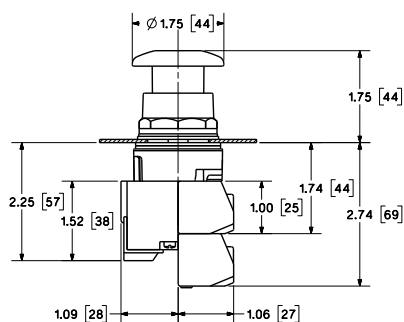
● Red	120 V AC	1 1	A3PP43-6L5R-1N	1SQA010865R0001	1
		Extra late break			
● Green	480 V AC	1 1	A3PP43-6L8G-1N	1SQA010866R0001	1
					Extra late break

Maintained push-momentary pull – full voltage

● Red	24 V AC/DC	1 1	A3PP44-6L2R-1N	1SQA010867R0001	1
		Extra late break			
● Red	120 V AC/DC	1 1	A3PP44-6L4R-1N	1SQA010868R0001	1
		Extra late break			

Maintained push-momentary pull – transformer

● Red	120 V AC	1 1	A3PP44-6L5R-1N	1SQA010869R0001	1
					Extra late break



Illuminated momentary pushbutton small plastic mushroom head

Dimensions inches, [mm]

30 mm heavy duty oil-tight range

Illuminated pushbuttons–44 mm metal mushroom



A3XLMLR*

* A3XLMLR is only the accessory head.
All illuminated A3PPM... devices will
come with this head installed.

Description

Each reference includes the satin chrome metal body and nut together with the holder.

Color	Voltage	Contacts	Catalog number	Order code	Pkg qty
-------	---------	----------	----------------	------------	---------



Momentary

● Red	–	1 1 Extra late break	A3PPM3-600R-1N	1SQA010848R0001	1
-------	---	-------------------------	----------------	-----------------	---

Momentary – full voltage

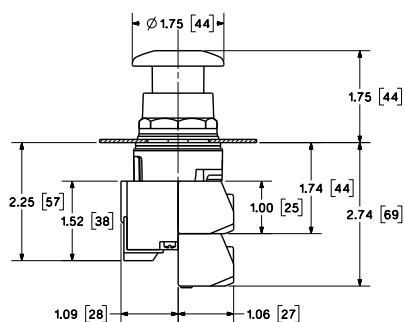
● Red	24 V AC/DC	1 1 Extra late break	A3PPM3-6L2R-1N	1SQA010875R0001	1
● Green	120 V AC/DC	1 1 Extra late break	A3PPM3-6L4G-1N	1SQA010876R0001	1
● Amber	120 V AC/DC	1 1 Extra late break	A3PPM3-6L4M-1N	1SQA010877R0001	1
● Red	120 V AC/DC	0 0	A3PPM3-6L4R-00	1SQA009325R0001	1
	120 V AC/DC	1 1 Extra late break	A3PPM3-6L4R-1N	1SQA010878R0001	1

Maintained push-pull – full voltage

● Red	24 V AC/DC	1 1	A3PPM2-6L2R-91	1SQA010871R0001	1
● Green	120 V AC/DC	0 1	A3PPM2-6L4G-01	1SQA009314R0001	1
	120 V AC/DC	1 1	A3PPM2-6L4G-91	1SQA010872R0001	1
● Red	120 V AC/DC	0 0	A3PPM2-6L4R-00	1SQA009316R0001	1
	120 V AC/DC	0 1	A3PPM2-6L4R-01	1SQA009317R0001	1
	120 V AC/DC	1 1	A3PPM2-6L4R-91	1SQA010873R0001	1
○ White	120 V AC/DC	1 1	A3PPM2-6L4W-91	1SQA010874R0001	1

Maintained push-momentary pull – full voltage

● Red	24 V AC/DC	0 0	A3PPM4-6L2R-00	1SQA009328R0001	1
	24 V AC/DC	1 1 Extra late break	A3PPM4-6L2R-1N	1SQA010879R0001	1
	120 V AC/DC	1 1 Extra late break	A3PPM4-6L4R-1N	1SQA010880R0001	1



Illuminated momentary pushbutton small plastic mushroom head


Dimensions inches, [mm]

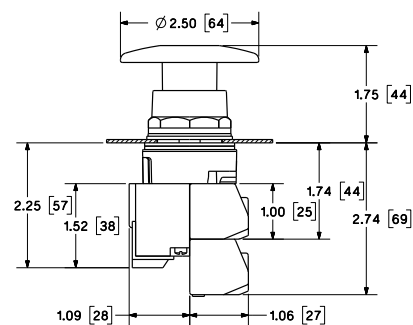
30 mm heavy duty oil-tight range

Illuminated pushbuttons–60 mm mushroom

Description

Each reference includes the satin chrome metal body and nut together with the holder.

Color	Voltage	Contacts	Catalog number	Order code	Pkg qty
					
Momentary – full voltage					
● Green	24 V AC/DC	1 1	A3PL61-6L2G-91	1SQA010777R0001	1
● Red	24 V AC/DC	1 1	A3PL61-6L2R-91	1SQA010778R0001	1
● Green	120 V AC/DC	1 1	A3PL61-6L4G-91	1SQA010779R0001	1
● Red	120 V AC/DC	1 1	A3PL61-6L4R-91	1SQA010780R0001	1
Momentary – transformer					
● Red	120 V AC	1 1	A3PL61-6L5R-91	1SQA010781R0001	1
Momentary – integrated LED module					
● Amber	6-24 V AC/DC	1 1	A3PL61-6LLM-91	1SQA010782R0001	1
● Red	6-24 V AC/DC	1 1	A3PL61-6LLR-91	1SQA010783R0001	1
Maintained push-pull – full voltage					
● Red	24 V AC/DC	1 1	A3PP62-6L2R-91	1SQA010870R0001	1



Illuminated momentary pushbutton large plastic mushroom head


Dimensions inches, [mm]

30 mm heavy duty oil-tight range

Non-illuminated pushbuttons–no cap

Description

Each reference includes the satin chrome metal body and nut together with the holder.

Color	Voltage	Contacts	Catalog number	Order code	Pkg qty
					
Momentary					
No cap	–	0 0	A3PBN1-600N-00	1SQA010178R0001	1
Maintained push-pull					
No cap	–	0 0	A3PPN2-600N-00	1SQA010200R0001	1
Maintained twist-release					
No cap	–	0 0	A3PT4R-600N-00	1SQA009332R0001	1

30 mm heavy duty oil-tight range

Pilot lights–LED bulb



A3L4AA-6L4G

15QA009087R0001



A3L4AA-6L4M

15QA009086R0001



A3L4AA-6L4R

15QA009087R0001



A3L4AA-6L4W

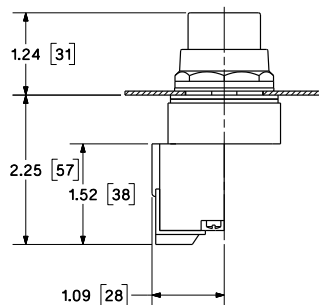
15QA009086R0001

Description

Each reference includes the satin chrome metal body and nut together with the holder.

Color	Voltage	Catalog number	Order code	Pkg qty
Momentary – full voltage				
○ Clear	24 V AC/DC	A3L4AA-6L2C	15QA009077R0001	1
	120 V AC/DC	A3L4AA-6L4C	15QA009083R0001	1
	24-240 V AC/DC	A3L4AA-6LUC	15QA010465R0001	1
● Green	24 V AC/DC	A3L4AA-6L2G	15QA009078R0001	1
	120 V AC/DC	A3L4AA-6L4G	15QA009084R0001	1
	6-8 V AC/DC	A3L4AA-6LBG	15QA009112R0001	1
	24-240 V AC/DC	A3L4AA-6LUG	15QA010460R0001	1
● Blue	24 V AC/DC	A3L4AA-6L2L	15QA009079R0001	1
	120 V AC/DC	A3L4AA-6L4L	15QA009085R0001	1
	24-240 V AC/DC	A3L4AA-6LUL	15QA010464R0001	1
● Amber	24 V AC/DC	A3L4AA-6L2M	15QA009080R0001	1
	120 V AC/DC	A3L4AA-6L4M	15QA009086R0001	1
	6-8 V AC/DC	A3L4AA-6LBM	15QA009113R0001	1
	24-240 V AC/DC	A3L4AA-6LUM	15QA010461R0001	1
No Lens	120 V AC/DC	A3L4AA-6N4N	15QA009120R0001	1
● Red	24 V AC/DC	A3L4AA-6L2R	15QA009081R0001	1
	120 V AC/DC	A3L4AA-6L4R	15QA009087R0001	1
	6-8 V AC/DC	A3L4AA-6LBR	15QA009114R0001	1
	24-240 V AC/DC	A3L4AA-6LUR	15QA010462R0001	1
○ White	24 V AC/DC	A3L4AA-6L2W	15QA009082R0001	1
	120 V AC/DC	A3L4AA-6L4W	15QA009088R0001	1
	6-8 V AC/DC	A3L4AA-6LBW	15QA009115R0001	1
	24-240 V AC/DC	A3L4AA-6LUW	15QA010463R0001	1

Continued on next page



Indicator light plastic lens
Dimensions inches, [mm]

30 mm heavy duty oil-tight range

Pilot lights–LED bulb



A3L4AA-6L5G

15QA009090R0001



A3L4AA-6L5M

15QA009092R0001



A3L4AA-6L5R

15QA009093R0001



A3L4AA-6L5W

15QA009094R0001

Description

Each reference includes the satin chrome metal body and nut together with the holder.

Color	Voltage	Catalog number	Order code	Pkg qty
-------	---------	----------------	------------	---------

Momentary – transformer

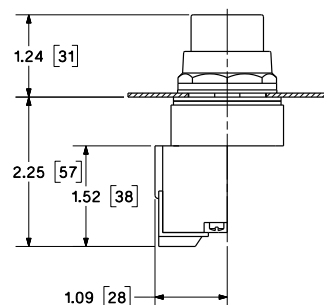
○ Clear	120 V AC	A3L4AA-6L5C	15QA009089R0001	1
	240 V AC	A3L4AA-6L6C	15QA009095R0001	1
	480 V AC	A3L4AA-6L8C	15QA009103R0001	1
	600 V AC	A3L4AA-6L9C	15QA010492R0001	1
● Green	120 V AC	A3L4AA-6L5G	15QA009090R0001	1
	240 V AC	A3L4AA-6L6G	15QA009096R0001	1
	277 V SC	A3L4AA-6L7G	15QA009101R0001	1
	480 V AC	A3L4AA-6L8G	15QA009104R0001	1
● Blue	600 V AC	A3L4AA-6L9G	15QA009109R0001	1
	120 V AC	A3L4AA-6L5L	15QA009091R0001	1
	240 V AC	A3L4AA-6L6L	15QA009097R0001	1
● Amber	480 V AC	A3L4AA-6L8L	15QA009105R0001	1
	600 V AC	A3L4AA-6L9L	15QA010494R0001	1
	120 V AC	A3L4AA-6L5M	15QA009092R0001	1
● Red	240 V AC	A3L4AA-6L6M	15QA009098R0001	1
	480 V AC	A3L4AA-6L8M	15QA009106R0001	1
	600 V AC	A3L4AA-6L9M	15QA010493R0001	1
	120 V AC	A3L4AA-6L5R	15QA009093R0001	1
● Red	240 V AC	A3L4AA-6L6R	15QA009099R0001	1
	277 V SC	A3L4AA-6L7R	15QA009102R0001	1
	480 V AC	A3L4AA-6L8R	15QA009107R0001	1
	600 V AC	A3L4AA-6L9R	15QA009110R0001	1
○ White	120 V AC	A3L4AA-6L5W	15QA009094R0001	1
	240 V AC	A3L4AA-6L6W	15QA009100R0001	1
	480 V AC	A3L4AA-6L8W	15QA009108R0001	1
	600 V AC	A3L4AA-6L9W	15QA009111R0001	1

Momentary – integrated LED module

● Green	6-24 V AC/DC	A3L4AA-6LLG	15QA009116R0001	1
● Amber	6-24 V AC/DC	A3L4AA-6LLM	15QA009117R0001	1
● Red	6-24 V AC/DC	A3L4AA-6LLR	15QA009118R0001	1
○ White	6-24 V AC/DC	A3L4AA-6LLW	15QA009119R0001	1

Momentary – no lamp block

No lens	No lamp block	A3L4AA-6N0N	15QA010199R0001	1
---------	---------------	-------------	-----------------	---



Indicator light plastic lens

Dimensions inches, [mm]

30 mm heavy duty oil-tight range

Non-illuminated selector switches



A3SSAA-6AAG-00

1SQA010204R0001



A3SSAA-6AAR-00

1SQA010205R0001



A3SSAA-6AAB-91

1SQA010926R0001

Description

Each reference includes the satin chrome metal body and nut together with the holder.

Operating principle	Color	Cam function	Voltage	Contacts	Catalog number	Order code	Pkg qty
---------------------	-------	--------------	---------	----------	----------------	------------	---------



2-position, short handle

	● Green	Operator only	–	0 0	A3SSAA-6AAG-00	1SQA010204R0001	1
	● Red	Operator only	–	0 0	A3SSAA-6AAR-00	1SQA010205R0001	1
	○ White	A	–	1 1	A3SSAA-6AAB-91	1SQA010926R0001	1
		A	–	1 0	A3SSAA-6AAB-10	1SQA010925R0001	1
		A	–	0 1	A3SSAA-6AAB-01	1SQA010924R0001	1
		A	–	0 0	A3SSAA-6AAB-00	1SQA010161R0001	1
		A	–	2 0	A3SSAA-6AAB-20	1SQA010984R0001	1
		A	–	2 1	A3SSAA-6AAB-21	1SQA010985R0001	1

2-position, long handle

	○ White	A	–	1 1	A3SLAA-6AAB-91	1SQA010903R0001	1
		A	–	0 0	A3SLAA-6AAB-00	1SQA010202R0001	1

2-position, short handle

	○ White	A	–	1 1	A3SSAC-6AAB-91	1SQA010927R0001	1
		A	–	0 0	A3SSAC-6AAB-00	1SQA010203R0001	1

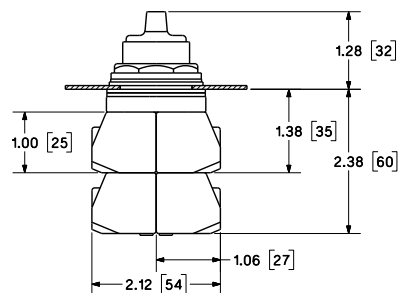
2-position, long handle

	○ White	A	–	1 1	A3SLAC-6AAB-91	1SQA010904R0001	1
--	---------	---	---	-----	----------------	-----------------	---

3-position, short handle

	○ White	B	–	2 2	A3SSBA-6AAB-92	1SQA011107R0001	1
		B	–	1 0	A3SSBA-6AAB-10	1SQA010928R0001	1
		B	–	2 0	A3SSBA-6AAB-20	1SQA011106R0001	1
		B	–	0 0	A3SSBA-6AAB-00	1SQA010172R0001	1
		B	–	1 1	A3SSBA-6AAB-91	1SQA010929R0001	1
		B	–	2 1	A3SSBA-6AAB-21	1SQA010993R0001	1
		C	–	1 1	A3SSCA-6AAB-91	1SQA010935R0001	1
		C	–	0 0	A3SSCA-6AAB-00	1SQA010162R0001	1
		C	–	1 0	A3SSCA-6AAB-10	1SQA010934R0001	1
		C	–	1 2	A3SSCA-6AAB-12	1SQA010989R0001	1
		D	–	1 1	A3SSDA-6AAB-91	1SQA010940R0001	1
		D	–	0 0	A3SSDA-6AAB-00	1SQA010209R0001	1

Continued on next page



Selector switch non-illuminated

Dimensions inches, [mm]

30 mm heavy duty oil-tight range

Non-illuminated selector switches



A3SSBB-6AAB-92

1SQA011108R0001

Description

Each reference includes the satin chrome metal body and nut together with the holder.

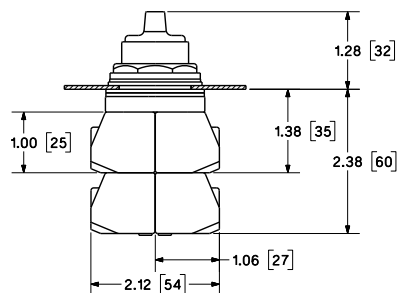
Operating principle	Color	Cam function	Voltage	Contacts	Catalog number	Order code	Pkg qty
---------------------	-------	--------------	---------	----------	----------------	------------	---------



3-position, short handle

	○ White	E	–	1 1	A3SSEA-6AAB-91	1SQA010944R0001	1		
		E	–	0 0	A3SSEA-6AAB-00	1SQA010175R0001	1		
		G	–	0 0	A3SSGA-6AAB-00	1SQA010165R0001	1		
		G	–	1 2	A3SSGA-6AAB-12	1SQA010991R0001	1		
		G	–	1 1	A3SSGA-6AAB-91	1SQA010947R0001	1		
	○ White	B	–	0 0	A3SSBB-6AAB-00	1SQA010206R0001	1		
		B	–	2 2	A3SSBB-6AAB-92	1SQA011108R0001	1		
		B	–	1 1	A3SSBB-6AAB-91	1SQA010930R0001	1		
		C	–	0 0	A3SSCB-6AAB-00	1SQA010163R0001	1		
		C	–	1 1	A3SSCB-6AAB-91	1SQA010936R0001	1		
		D	–	0 0	A3SSDB-6AAB-00	1SQA010440R0001	1		
		D	–	1 1	A3SSDB-6AAB-91	1SQA010941R0001	1		
		E	–	0 0	A3SSEB-6AAB-00	1SQA009480R0001	1		
		G	–	0 0	A3SSGB-6AAB-00	1SQA010441R0001	1		
		G	–	1 1	A3SSGB-6AAB-91	1SQA010948R0001	1		
		G	–	2 2	A3SSGB-6AAB-92	1SQA011117R0001	1		
			○ White	B	–	0 0	A3SSBC-6AAB-00	1SQA010207R0001	1
				B	–	1 1	A3SSBC-6AAB-91	1SQA010931R0001	1
B	–			2 2	A3SSBC-6AAB-92	1SQA011109R0001	1		
C	–			0 0	A3SSCC-6AAB-00	1SQA010208R0001	1		
C	–			1 1	A3SSCC-6AAB-91	1SQA010937R0001	1		
C	–			2 2	A3SSCC-6AAB-92	1SQA011111R0001	1		
D	–			0 0	A3SSDC-6AAB-00	1SQA009474R0001	1		
D	–			1 1	A3SSDC-6AAB-91	1SQA010942R0001	1		
D	–			2 2	A3SSDC-6AAB-92	1SQA011113R0001	1		
E	–			0 0	A3SSEC-6AAB-00	1SQA009481R0001	1		
E	–			1 1	A3SSEC-6AAB-91	1SQA010945R0001	1		
G	–			0 0	A3SSGC-6AAB-00	1SQA009488R0001	1		
G	–			1 1	A3SSGC-6AAB-91	1SQA010949R0001	1		
G	–			2 2	A3SSGC-6AAB-92	1SQA011118R0001	1		

Continued on next page



Selector switch non-illuminated

Dimensions inches, [mm]

30 mm heavy duty oil-tight range

Non-illuminated selector switches



Description

Each reference includes the satin chrome metal body and nut together with the holder.

Operating principle	Color	Cam function	Voltage	Contacts	Catalog number	Order code	Pkg qty
---------------------	-------	--------------	---------	----------	----------------	------------	---------



3-position, short handle

Operating principle	Color	Cam function	Voltage	Contacts	Catalog number	Order code	Pkg qty
	White	B	–	0 0	A3SSBD-6AAB-00	1SQA010173R0001	1
		B	–	1 1	A3SSBD-6AAB-91	1SQA010932R0001	1
		B	–	2 2	A3SSBD-6AAB-92	1SQA010933R0001	1
		C	–	0 0	A3SSCD-6AAB-00	1SQA010164R0001	1
		C	–	1 0	A3SSCD-6AAB-10	1SQA010938R0001	1
		C	–	1 1	A3SSCD-6AAB-91	1SQA010939R0001	1
		D	–	0 0	A3SSDD-6AAB-00	1SQA009476R0001	1
		D	–	1 1	A3SSDD-6AAB-91	1SQA010943R0001	1
		E	–	0 0	A3SSED-6AAB-00	1SQA009483R0001	1
		E	–	1 1	A3SSED-6AAB-91	1SQA010946R0001	1
		G	–	0 0	A3SSGD-6AAB-00	1SQA009490R0001	1
		G	–	1 1	A3SSGD-6AAB-91	1SQA010950R0001	1
		G	–	2 2	A3SSGD-6AAB-92	1SQA011119R0001	1

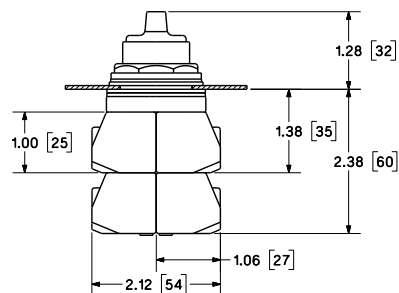
4-position, short handle

Operating principle	Color	Cam function	Voltage	Contacts	Catalog number	Order code	Pkg qty
	White	H	–	0 0	A3SSHA-6AAB-00	1SQA010174R0001	1
		H	–	2 2	A3SSHA-6AAB-92	1SQA010951R0001	1

2-position, long handle

Operating principle	Color	Cam function	Voltage	Contacts	Catalog number	Order code	Pkg qty
	White	A	–	0 0	A3SLAC-6AAB-00	1SQA010442R0001	1

Continued on next page



Selector switch non-illuminated

Dimensions inches, [mm]

30 mm heavy duty oil-tight range

Non-illuminated selector switches



A3SSBB-6AAB-92

1SQA011108R0001

Description

Each reference includes the satin chrome metal body and nut together with the holder.

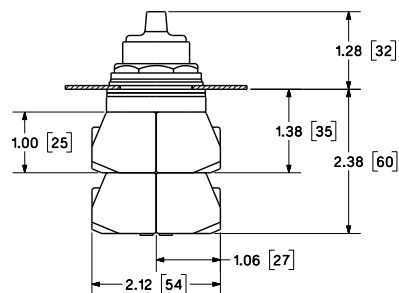
Operating principle	Color	Cam function	Voltage	Contacts	Catalog number	Order code	Pkg qty
---------------------	-------	--------------	---------	----------	----------------	------------	---------



3-position, long handle

	○ White	B	–	0 0	A3SLBA-6AAB-00	1SQA010443R0001	1
		B	–	1 1	A3SLBA-6AAB-91	1SQA010905R0001	1
		B	–	2 2	A3SLBA-6AAB-92	1SQA011095R0001	1
		C	–	0 0	A3SLCA-6AAB-00	1SQA009393R0001	1
		C	–	1 1	A3SLCA-6AAB-91	1SQA010909R0001	1
		D	–	0 0	A3SLDA-6AAB-00	1SQA010446R0001	1
		D	–	1 1	A3SLDA-6AAB-91	1SQA010913R0001	1
		E	–	0 0	A3SLEA-6AAB-00	1SQA010449R0001	1
		E	–	1 1	A3SLEA-6AAB-91	1SQA010916R0001	1
		E	–	2 2	A3SLEA-6AAB-92	1SQA011100R0001	1
		G	–	0 0	A3SLGA-6AAB-00	1SQA009406R0001	1
		G	–	1 1	A3SLGA-6AAB-91	1SQA010919R0001	1
		G	–	2 2	A3SLGA-6AAB-92	1SQA011102R0001	1
			○ White	B	–	0 0	A3SLBB-6AAB-00
B	–			1 1	A3SLBB-6AAB-91	1SQA010906R0001	1
B	–			2 2	A3SLBB-6AAB-92	1SQA011096R0001	1
C	–			0 0	A3SLCB-6AAB-00	1SQA009395R0001	1
C	–			1 1	A3SLCB-6AAB-91	1SQA010910R0001	1
G	–			0 0	A3SLGB-6AAB-00	1SQA010452R0001	1
G	–			1 1	A3SLGB-6AAB-91	1SQA010920R0001	1
G	–			2 2	A3SLGB-6AAB-92	1SQA011103R0001	1
	○ White			B	–	0 0	A3SLBC-6AAB-00
		B	–	1 1	A3SLBC-6AAB-91	1SQA010907R0001	1
		B	–	2 2	A3SLBC-6AAB-92	1SQA011097R0001	1
		C	–	0 0	A3SLCC-6AAB-00	1SQA010445R0001	1
		C	–	1 1	A3SLCC-6AAB-91	1SQA010911R0001	1
		D	–	0 0	A3SLDC-6AAB-00	1SQA010447R0001	1
		D	–	1 1	A3SLDC-6AAB-91	1SQA010914R0001	1
		E	–	0 0	A3SLEC-6AAB-00	1SQA010450R0001	1
		E	–	1 1	A3SLEC-6AAB-91	1SQA010917R0001	1
		G	–	0 0	A3SLGC-6AAB-00	1SQA010453R0001	1
		G	–	1 1	A3SLGC-6AAB-91	1SQA010921R0001	1
		G	–	2 2	A3SLGC-6AAB-92	1SQA011104R0001	1

Continued on next page



Selector switch non-illuminated

Dimensions inches, [mm]

30 mm heavy duty oil-tight range

Non-illuminated selector switches



A3SSBB-6AAB-92

1SQA011108R0001

Description

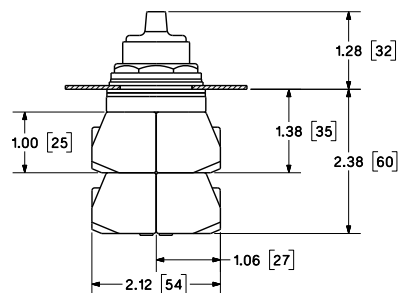
Each reference includes the satin chrome metal body and nut together with the holder.

3-position, long handle

	○ White	B	-	0 0	A3SLBD-6AAB-00	1SQA009391R0001	1
		B	-	1 1	A3SLBD-6AAB-91	1SQA010908R0001	1
		B	-	2 2	A3SLBD-6AAB-92	1SQA011098R0001	1
		C	-	0 0	A3SLCD-6AAB-00	1SQA009398R0001	1
		C	-	1 1	A3SLCD-6AAB-91	1SQA010912R0001	1
		D	-	0 0	A3SLDD-6AAB-00	1SQA010448R0001	1
		D	-	1 1	A3SLDD-6AAB-91	1SQA010915R0001	1
		D	-	2 2	A3SLDD-6AAB-92	1SQA011099R0001	1
		E	-	0 0	A3SLED-6AAB-00	1SQA010451R0001	1
		E	-	1 1	A3SLED-6AAB-91	1SQA010918R0001	1
		E	-	2 2	A3SLED-6AAB-92	1SQA011101R0001	1
		G	-	0 0	A3SLGD-6AAB-00	1SQA009410R0001	1
		G	-	1 1	A3SLGD-6AAB-91	1SQA010922R0001	1
		G	-	2 2	A3SLGD-6AAB-92	1SQA011105R0001	1

4-position, long handle

	○ White	H	-	0 0	A3SLHA-6AAB-00	1SQA010454R0001	1
		H	-	2 2	A3SLHA-6AAB-92	1SQA010923R0001	1



Selector switch non-illuminated

Dimensions inches, [mm]

30 mm heavy duty oil-tight range

Illuminated selector switches



15QA011120R0001



15QA011121R0001



15QA011122R0001



15QA010923R0001

Description

Each reference includes the satin chrome metal body and nut together with the holder.

Operating principle	Color	Cam function	Voltage	Contacts	Catalog number	Order code	Pkg qty
---------------------	-------	--------------	---------	----------	----------------	------------	---------



2-position, short handle



● Green	A	FV 24 V	0 0	A3SSAA-6L2G-00	15QA009417R0001	1
	A	FV 24 V	1 0	A3SSAA-6L2G-10	15QA010882R0001	1
● Blue	A	FV 24 V	1 1	A3SSAA-6L2G-91	15QA010883R0001	1
	A	FV 24 V	0 0	A3SSAA-6L2L-00	15QA010421R0001	1
	A	FV 24 V	1 0	A3SSAA-6L2L-10	15QA010884R0001	1
● Red	A	FV 24 V	1 1	A3SSAA-6L2L-91	15QA010885R0001	1
	A	FV 24 V	0 0	A3SSAA-6L2R-00	15QA009422R0001	1
	A	FV 24 V	1 1	A3SSAA-6L2R-91	15QA010886R0001	1
● Amber	A	FV 120V	0 0	A3SSAA-6L4M-00	15QA010425R0001	1
	A	FV 120 V	1 1	A3SSAA-6L4M-91	15QA010889R0001	1
● Blue	A	FV 120 V	0 0	A3SSAA-6L4L-00	15QA010424R0001	1
	A	FV 120 V	1 1	A3SSAA-6L4L-91	15QA010888R0001	1
● Green	A	FV 120 V	0 0	A3SSAA-6L4G-00	15QA009424R0001	1
	A	FV 120 V	1 1	A3SSAA-6L4G-91	15QA010887R0001	1
● Red	A	FV 120 V	1 1	A3SSAA-6L4R-91	15QA010890R0001	1
	A	FV 120 V	0 0	A3SSAA-6L4R-00	15QA009428R0001	1
● Amber	A	Trans. 120 V	0 0	A3SSAA-6L5M-00	15QA010428R0001	1
	A	Trans. 120 V	1 1	A3SSAA-6L5M-91	15QA010892R0001	1
● Green	A	Trans. 120 V	1 1	A3SSAA-6L5G-91	15QA010891R0001	1
	A	Trans. 240 V	0 0	A3SSAA-6L6G-00	15QA010430R0001	1
	A	Trans. 240 V	1 1	A3SSAA-6L6G-91	15QA010894R0001	1
	A	Trans. 120 V	0 0	A3SSAA-6L5G-00	15QA009430R0001	1
● Red	A	Trans. 120 V	0 0	A3SSAA-6L5R-00	15QA009433R0001	1
	A	Trans. 120 V	1 1	A3SSAA-6L5R-91	15QA010893R0001	1

3-position, short handle



● Green	B	FV 24 V	1 1	A3SSBA-6L2G-91	15QA010999R0001	1
	B	FV 24 V	0 0	A3SSBA-6L2G-00	15QA009441R0001	1
● Amber	C	FV 24 V	0 0	A3SSCA-6L2M-00	15QA010434R0001	1
	C	FV 24 V	1 1	A3SSCA-6L2M-91	15QA010897R0001	1
● Green	C	FV 24 V	1 1	A3SSCA-6L2G-91	15QA010896R0001	1
	C	FV 24 V	0 0	A3SSCA-6L2G-00	15QA009453R0001	1
● Red	B	FV 24 V	0 0	A3SSBA-6L2R-00	15QA010432R0001	1
	B	FV 24 V	1 1	A3SSBA-6L2R-91	15QA010895R0001	1
● Green	C	FV 120 V	1 1	A3SSCA-6L4G-91	15QA010898R0001	1
● Blue	C	FV 120 V	0 0	A3SSCA-6L4L-00	15QA010436R0001	1
	C	FV 120 V	1 1	A3SSCA-6L4L-91	15QA010899R0001	1
● Green	C	FV 120 V	0 0	A3SSCA-6L4G-00	15QA009456R0001	1
● Red	C	FV 120 V	1 1	A3SSCA-6L4R-91	15QA010900R0001	1
	C	FV 120 V	0 0	A3SSCA-6L4R-00	15QA009459R0001	1
● Green	C	Trans. 120 V	0 0	A3SSCA-6L5G-00	15QA010438R0001	1
	C	Trans. 120 V	1 1	A3SSCA-6L5G-91	15QA010901R0001	1
● Red	C	Trans. 120 V	1 1	A3SSCA-6L5R-91	15QA010902R0001	1
	C	Trans. 120 V	0 0	A3SSCA-6L5R-00	15QA009462R0001	1

30 mm heavy duty oil-tight range

Key-operated selector switches–non-illuminated

Description

Each reference includes the satin chrome metal body and nut together with the holder.

Operating principle	Cam function	Voltage	Contacts	Catalog number	Order code	Pkg qty
---------------------	--------------	---------	----------	----------------	------------	---------



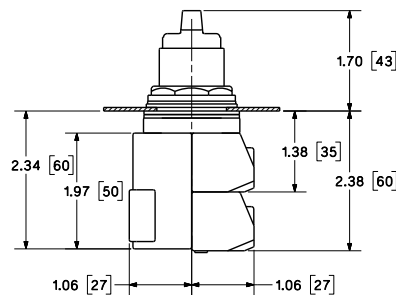
2-position

	A	–	1 0	A3SKAE-6AA1-10	1SQA010952R0001	1
	A	–	1 1	A3SKAE-6AA1-91	1SQA010953R0001	1
	A	–	1 1	A3SKAF-6AA1-91	1SQA010955R0001	1
	A	–	1 1	A3SKAG-6AA1-91	1SQA010956R0001	1
	A	–	1 0	A3SKAE-6AA1-20	1SQA011084R0001	1
	A	–	1 0	A3SKAF-6AA1-10	1SQA010954R0001	1
	A	–	0 0	A3SKAE-6AA1-00	1SQA010170R0001	1
	A	–	0 0	A3SKAF-6AA1-00	1SQA010171R0001	1
	A	–	0 0	A3SKAG-6AA1-00	1SQA010210R0001	1
	A	–	0 0	A3SKAX-6AA1-00	1SQA009345R0001	1

3-position

	B	–	0 0	A3SKBF-6AA1-00	1SQA010412R0001	1
	B	–	1 1	A3SKBE-6AA1-91	1SQA010958R0001	1
	B	–	1 1	A3SKBF-6AA1-91	1SQA010959R0001	1
	B	–	1 1	A3SKBH-6AA1-91	1SQA010960R0001	1
	B	–	2 2	A3SKBH-6AA1-92	1SQA011087R0001	1
	C	–	0 0	A3SKCF-6AA1-00	1SQA010413R0001	1
	D	–	1 1	A3SKDE-6AA1-91	1SQA010969R0001	1
	D	–	0 0	A3SKDF-6AA1-00	1SQA010415R0001	1
	D	–	0 0	A3SKDH-6AA1-00	1SQA010416R0001	1
	D	–	2 2	A3SKDY-6AA1-92	1SQA011091R0001	1
	E	–	0 0	A3SKEE-6AA1-00	1SQA010418R0001	1
	E	–	0 0	A3SKEV-6AA1-00	1SQA009376R0001	1
	E	–	1 1	A3SKEE-6AA1-91	1SQA010973R0001	1
	E	–	2 2	A3SKEE-6AA1-92	1SQA011092R0001	1
	E	–	2 2	A3SKET-6AA1-92	1SQA011093R0001	1
	E	–	2 2	A3SKEV-6AA1-92	1SQA011094R0001	1
	G	–	0 0	A3SKGE-6AA1-00	1SQA009378R0001	1
	G	–	0 0	A3SKGG-6AA1-00	1SQA009380R0001	1
	G	–	0 0	A3SKGH-6AA1-00	1SQA009381R0001	1
	G	–	2 2	A3SKGH-6AA1-92	1SQA010977R0001	1
	G	–	2 2	A3SKGE-6AA1-92	1SQA010976R0001	1
	A	–	1 1	A3SKAX-6AA1-91	1SQA010957R0001	1
C	–	0 0	A3SKCU-6AA1-00	1SQA010414R0001	1	

Continued on next page



Selector switch illuminated





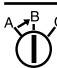
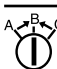
Dimensions inches, [mm]

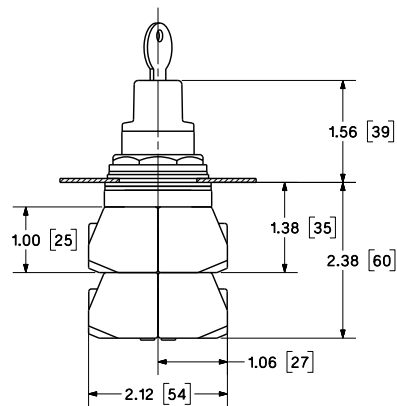
30 mm heavy duty oil-tight range

Key-operated selector switches–non-illuminated

Description

Each reference includes the satin chrome metal body and nut together with the holder.

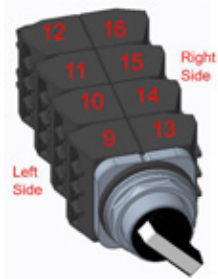
Operating principle	Cam function	Voltage	Contacts	Catalog number	Order code	Pkg qty
						
3-position						
	C	–	1 1	A3SKCY-6AA1-91	1SQA010968R0001	1
	D	–	0 0	A3SKDY-6AA1-00	1SQA010417R0001	1
	D	–	1 1	A3SKDY-6AA1-91	1SQA010972R0001	1
	E	–	0 0	A3SKET-6AA1-00	1SQA010419R0001	1
	E	–	1 1	A3SKET-6AA1-91	1SQA010974R0001	1
	B	–	1 1	A3SKBV-6AA1-91	1SQA010961R0001	1
	E	–	1 1	A3SKEV-6AA1-91	1SQA010975R0001	1
	B	–	0 0	A3SKBY-6AA1-00	1SQA009354R0001	1
	C	–	1 1	A3SKCE-6AA1-91	1SQA010962R0001	1
	C	–	1 1	A3SKCF-6AA1-91	1SQA010963R0001	1
	C	–	1 1	A3SKCG-6AA1-91	1SQA010964R0001	1
	C	–	1 1	A3SKCH-6AA1-91	1SQA010965R0001	1
	C	–	1 1	A3SKCU-6AA1-91	1SQA010966R0001	1
	C	–	1 1	A3SKCV-6AA1-91	1SQA010967R0001	1
	C	–	0 0	A3SKCE-6AA1-00	1SQA009355R0001	1
	C	–	0 0	A3SKCG-6AA1-00	1SQA009358R0001	1
	C	–	0 0	A3SKCH-6AA1-00	1SQA009360R0001	1
	C	–	0 0	A3SKCT-6AA1-00	1SQA009362R0001	1
	C	–	0 0	A3SKCV-6AA1-00	1SQA009364R0001	1
	C	–	0 0	A3SKCY-6AA1-00	1SQA009366R0001	1
		B	–	1 1	A3SKBE-6AA1-92	1SQA011085R0001
B		–	1 1	A3SKBF-6AA1-92	1SQA011086R0001	1
B		–	1 1	A3SKBV-6AA1-92	1SQA011088R0001	1
B		–	0 0	A3SKBE-6AA1-00	1SQA009347R0001	1
B		–	0 0	A3SKBH-6AA1-00	1SQA009350R0001	1
B		–	0 0	A3SKBV-6AA1-00	1SQA009352R0001	1
		C	–	1 1	A3SKCY-6AA1-92	1SQA011089R0001
	D	–	1 1	A3SKDE-6AA1-92	1SQA011090R0001	1
	D	–	1 1	A3SKDF-6AA1-91	1SQA010970R0001	1
	D	–	1 1	A3SKDH-6AA1-91	1SQA010971R0001	1
	D	–	0 0	A3SKDE-6AA1-00	1SQA009368R0001	1
	D	–	0 0	A3SKDV-6AA1-00	1SQA009372R0001	1



Selector switch keyed
Dimensions inches, [mm]

30 mm heavy duty oil-tight range

Contact configuration for pushbuttons and selector switches



Maximum number of contacts is:

- (8) four on each side for pushbuttons
- (6) three on each side for selector switches

NC: Normally closed contact [X] — single contact block

NO: Normally opened contact [0] — single contact block

NO-NC: normally closed and normally opened contact — double contact block

Position

Contact no.	9	10	11	12	13	14	15	16
01*	NC							
02	NC				NC			
03	NC	NC			NC			
04	NC	NC			NC	NC		
05	NC	NC	NC		NC	NC		
06	NC	NC	NC		NC	NC	NC	
07	NC	NC	NC	NC	NC	NC	NC	
08	NC	NC	NC	NC	NC	NC	NC	NC
10	NO							
11	NC				NO			
12	NC	NO			NC			
13	NC	NO			NC	NC		
14	NC	NO	NC		NC	NC		
15	NC	NO	NC		NC	NC	NC	
16	NC	NO	NC	NC	NC	NC	NC	
17	NC	NO	NC	NC	NC	NC	NC	NC
20	NO				NO			
21	NC	NO			NO			
22	NC	NO			NC	NO		
23	NC	NO	NC		NC	NO		
24	NC	NO	NC		NC	NO	NC	
25	NC	NO	NC	NC	NC	NO	NC	
26	NC	NO	NC	NC	NC	NO	NC	
30	NO	NO			NO			
31	NC	NO			NO	NO		
32	NC	NO	NO		NC	NO		
33	NC	NO	NO		NC	NO	NC	
34	NC	NO	NC		NC	NO	NC	
35	NC	NO	NC	NO	NC	NO	NC	NC
40	NO	NO			NO	NO		
41	NC	NO	NO		NO	NO		
42	NC	NO	NO		NC	NO	NO	
43	NC	NO	NO		NC	NO	NO	
44	NC	NO	NO		NC	NO	NO	
50	NO	NO	NO		NO	NO		
51	NC	NO	NO		NO	NO	NO	
52	NC	NO	NO	NO	NC	NO	NO	
53	NC	NO	NC	NO	NC	NO	NO	NO
60	NO	NO	NO		NO	NO	NO	
61	NC	NO	NO	NO	NO	NO	NO	
62	NC	NO	NO	NO	NC	NO	NO	NO
70	NO	NO	NO	NO	NO	NO	NO	
71	NC	NO	NO		NO	NO	NO	
80	NO	NO	NO	NO	NO	NO	NO	NO
91	NO-NC							
92	NO-NC				NO-NC			
93	NO-NC	NO-NC			NO-NC	NO-NC		
94	NO-NC	NO-NC			NO-NC	NO-NC		

* Use for pushbuttons only. Selector switches with one contact block will have a special catalog number.

30 mm heavy duty oil-tight range

Cam table

Cam table

Cam type	Contact block	2 Position			Mounting location	
A3 series		Left		Right		
A	A3XC10	O		X	Left/right	
	A3XC01	X		O	Left/right	
Cam type	Contact block	3 Position			Mounting location	
A3 series		Left	Center	Right		
B	A3XC10	X			Right	
	A3XC10			X	Left	
	A3XC01	X	X		Left	
	A3XC01		X	X	Right	
C	A3XC01	X			Left/right	
	A3XC10			X	Left/right	
D	A3XC01		X		Left/right	
	A3XC10			X	Left/right	
E	A3XC10	X			Left/right	
	A3XC01		X		Left/right	
G	A3XC01	X			Left	
	A3XC01		X		Right	
	A3XC10			X	Left/right	
Cam type	Contact block	4 Position				Mounting location
A3 series		Left	Left center	Right center	Right	
H	A3XC10	X				Right
	A3XC01		X			Left
	A3XC01			X		Right
	A3XC10				X	Left

30 mm heavy duty oil-tight range

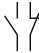
Contact blocks

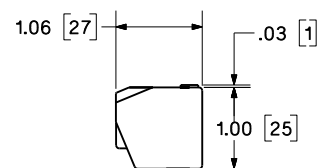
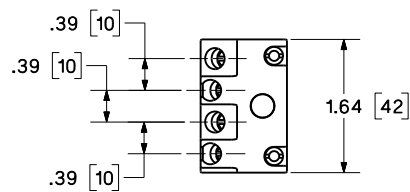


A3XC01

Description

Contact blocks

Contacts	Catalog number	Order code	Pkg qty
			
0 1	A3XC01	1SQA009494R0001	1
0 1 Late break	A3XC0B	1SQA010979R0001	1
1 0	A3XC10	1SQA009496R0001	1
1 0 Early break	A3XCOM	1SQA010981R0001	1
1 1	A3XC91	1SQA010978R0001	1
1 0 Extra late break	A3XC0N	1SQA010980R0001	1



Contact block
Dimensions inches, [mm]

30 mm heavy duty oil-tight range

Accessories



A3XGPM



A3XGGP



A3XGLP



A3XL4LR



A3XL4NG



A3XL4LG



A3XL6NR

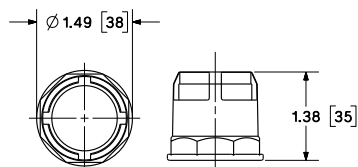
Description

Locks, guards, keys, caps and lenses.

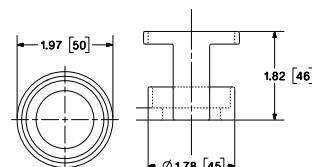
Description	Color	Catalog number	Order code	Pkg qty	
Locks and guards					
Pad lock ext cap		A3XGCE	1SQA009500R0001	1	
Pad lock flush cap		A3XGCF	1SQA009501R0001	1	
Lock nut mushroom		A3XGLM	1SQA009502R0001	1	
Lock nut push-pull and twist release		A3XGLN	1SQA009503R0001	1	
Lock nut pushbutton		A3XGLP	1SQA009504R0001	1	
Guards mushroom		A3XGPM	1SQA009506R0001	1	
Locking cover		A3XGCC	1SQA010211R0001	1	
Guard PTT		A3XGGL	1SQA010180R0001	1	
Guard pushbutton		A3XGGP	1SQA010181R0001	1	
Keys					
501H key code		A3XK501	1SQA009581R0001	1	
Caps and lenses					
44 mm mushrooms	● Green	A3XL4LG	1SQA010212R0001	1	
	● Amber	A3XL4LM	1SQA010215R0001	1	
	● Red	A3XL4LR	1SQA009510R0001	1	
	● Orange	A3XL4N8	1SQA009511R0001	1	
	● Assorted*	A3XL4NA	1SQA009512R0001	1	
	● Black	A3XL4NB	1SQA009513R0001	1	
	● Green	A3XL4NG	1SQA009514R0001	1	
	● Blue	A3XL4NL	1SQA009515R0001	1	
	● Red	A3XL4NR	1SQA009516R0001	1	
	● Yellow	A3XL4NY	1SQA009517R0001	1	
60 mm mushrooms	● Orange	A3XL6N8	1SQA009518R0001	1	
	● Assorted*	A3XL6NA	1SQA009519R0001	1	
	● Black	A3XL6NB	1SQA009520R0001	1	
	● Green	A3XL6NG	1SQA009521R0001	1	
	● Blue	A3XL6NL	1SQA009522R0001	1	
	● Red	A3XL6NR	1SQA009523R0001	1	
	● Yellow	A3XL6NY	1SQA009524R0001	1	
	Illuminated 60 mm mushroom	● Green	A3XL6LG	1SQA010409R0001	1
		● Amber	A3XL6LM	1SQA010411R0001	1
		● Red	A3XL6LR	1SQA010410R0001	1
Illuminated PTT	○ Clear	A3XLELC	1SQA009525R0001	1	
	● Green	A3XLELG	1SQA009526R0001	1	
	● Blue	A3XLELL	1SQA009527R0001	1	
Illuminated	● Amber	A3XLELM	1SQA009528R0001	1	
	● Red	A3XLELR	1SQA009529R0001	1	
	○ White	A3XLELW	1SQA009530R0001	1	
	Extended	● Grey	A3XLEN6	1SQA009531R0001	1
		● Orange	A3XLEN8	1SQA009532R0001	1
		● Assorted*	A3XLENA	1SQA009533R0001	1
		● Green	A3XLENG	1SQA009534R0001	1
		● Blue	A3XLENL	1SQA009535R0001	1
		● Red	A3XLENR	1SQA009536R0001	1
		● Yellow	A3XLENY	1SQA009537R0001	1

* Assorted includes one of each available color.

Continued on next page



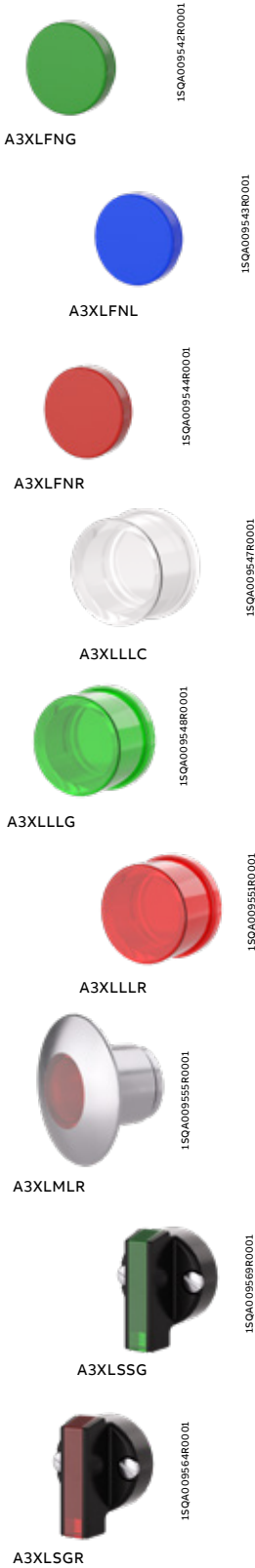
Momentary pushbutton guard, illuminated push to test guard
Dimensions inches, [mm]



Mushroom head Guard
Dimensions inches, [mm]

30 mm heavy duty oil-tight range

Accessories



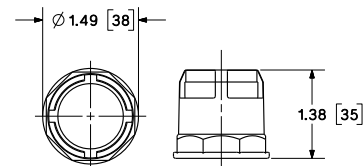
Description

Caps and lenses, selectors and twist releases.

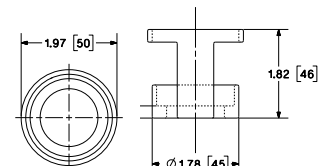
Description	Color	Catalog number	Order code	Pkg qty	
Caps and lenses					
Flush	● Grey	A3XLFN6	1SQA009538R0001	1	
	● Orange	A3XLFN8	1SQA009539R0001	1	
	Assorted*	A3XLFNA	1SQA009540R0001	1	
	● Black	A3XLFNB	1SQA009541R0001	1	
	● Green	A3XLFNG	1SQA009542R0001	1	
	● Blue	A3XLFNL	1SQA009543R0001	1	
	● Red	A3XLFNR	1SQA009544R0001	1	
	● Yellow	A3XLFNY	1SQA009545R0001	1	
	Illuminated	Assorted*	A3XLLLA	1SQA009546R0001	1
		○ Clear	A3XLLLC	1SQA009547R0001	1
● Green		A3XLLLG	1SQA009548R0001	1	
● Blue		A3XLLLL	1SQA009549R0001	1	
● Amber		A3XLLLM	1SQA009550R0001	1	
● Red		A3XLLLR	1SQA009551R0001	1	
○ White		A3XLLLW	1SQA009552R0001	1	
44 mm metal mushroom illuminated		● Green	A3XLMLG	1SQA009553R0001	1
		● Amber	A3XLMLM	1SQA009554R0001	1
		● Red	A3XLMLR	1SQA009555R0001	1
	○ White	A3XLMLW	1SQA009556R0001	1	
44 mm metal mushroom	Chrome	A3XLMN1	1SQA009557R0001	1	
	● Green	A3XLMNG	1SQA009558R0001	1	
Selectors long handle	● Grey	A3XLSG6	1SQA009560R0001	1	
	● Orange	A3XLSG8	1SQA009561R0001	1	
	● Green	A3XLSGG	1SQA009562R0001	1	
	● Blue	A3XLSGL	1SQA009563R0001	1	
	● Red	A3XLSGR	1SQA009564R0001	1	
	○ White	A3XLSGW	1SQA009565R0001	1	
	● Yellow	A3XLSGY	1SQA009566R0001	1	
	Selectors short handle	● Grey	A3XLSS6	1SQA009567R0001	1
		● Orange	A3XLSS8	1SQA009568R0001	1
		● Green	A3XLSSG	1SQA009569R0001	1
● Blue		A3XLSSL	1SQA009570R0001	1	
● Red		A3XLSSR	1SQA009571R0001	1	
○ White		A3XLSSW	1SQA009572R0001	1	
● Yellow		A3XLSSY	1SQA009573R0001	1	
Twist release illuminated		● Green	A3XLTLG	1SQA009574R0001	1
		● Amber	A3XLTLM	1SQA009575R0001	1
		● Red	A3XLTLR	1SQA009576R0001	1
	Twist release	● Green	A3XLTNG	1SQA009577R0001	1
● Red		A3XLTNR	1SQA009578R0001	1	
● Yellow		A3XLTNY	1SQA009579R0001	1	

* Assorted includes one of each available color.

Continued on next page



Momentary pushbutton guard, illuminated push to test guard
Dimensions inches, [mm]



Mushroom head Guard
Dimensions inches, [mm]

30 mm heavy duty oil-tight range

Accessories

Description

Lock out kit, LED bulbs, tools, caps and lenses, boots and LED modules.

Description	Color	Catalog number	Order code	Pkg qty
Tools				
Lock out kit		A3XXGC	1SQA009583R0001	1
LED bulb				
Green 24 V	● Green	A3XBL2G	1SQA010193R0001	1
Blue 24V	● Blue	A3XBL2L	1SQA010401R0001	1
Red 24 V	● Red	A3XBL2R	1SQA010192R0001	1
White 24 V	○ White	A3XBL2W	1SQA010194R0001	1
Yellow 24V	● Yellow	A3XBL2Y	1SQA010402R0001	1
Green 120V	● Green	A3XBL4G	1SQA010403R0001	1
Blue 120 V	● Blue	A3XBL4L	1SQA010197R0001	1
Red 120 V	● Red	A3XBL4R	1SQA010195R0001	1
White 120 V	○ White	A3XBL4W	1SQA010198R0001	1
Yellow 120 V	● Yellow	A3XBL4Y	1SQA010196R0001	1
Green 6 V	● Green	A3XBL6G	1SQA010190R0001	1
Blue 6V	● Blue	A3XBL6L	1SQA010405R0001	1
Red 6 V	● Red	A3XBL6R	1SQA010189R0001	1
White 6 V	○ White	A3XBL6W	1SQA010191R0001	1
Yellow 6V	● Yellow	A3XBL6Y	1SQA010406R0001	1
Tools				
Lock nut wrench		A3XGLW	1SQA010221R0001	1
Caps and lenses				
Cap extended red 5 pieces	● Red	A3XLENB	1SQA010201R0001	5
Clear knob and lens	○ Clear	A3XLKLC	1SQA010218R0001	1
Green knob and lens	● Green	A3XLKLG	1SQA010213R0001	1
Blue knob and lens	● Blue	A3XLKLL	1SQA010216R0001	1
Amber knob and lens	● Amber	A3XLKLM	1SQA010217R0001	1
Red knob and lens	● Red	A3XLKLR	1SQA010214R0001	1
White knob and lens	○ White	A3XLKLW	1SQA010219R0001	1
Boots				
Black boot	● Black	A3XLP0B	1SQA010223R0001	1
Clear boot	○ Clear	A3XLP0C	1SQA010222R0001	1
LED module				
Green 24 V	● Green	A3XMLLG	1SQA010183R0001	1
Blue 24 V	● Blue	A3XMLLL	1SQA010480R0001	1
Red 24 V	● Red	A3XMLLR	1SQA010182R0001	1
White 24 V	○ White	A3XMLLW	1SQA010408R0001	1
Yellow 24 V	● Yellow	A3XMLLY	1SQA010184R0001	1
Green 24-240 V	● Green	A3XMLUG	1SQA010185R0001	1
Blue 24-240 V	● Blue	A3XMLUL	1SQA010458R0001	1
Red 24-240 V	● Red	A3XMLUR	1SQA010456R0001	1
White 24-240 V	○ White	A3XMLUW	1SQA010455R0001	1
Yellow 24-240 V	● Yellow	A3XMLUY	1SQA010459R0001	1
Lamp module no bulb 120 V max		A3XMN4N	1SQA010179R0001	1
Transformer 120 V AC no bulb		A3XMN5N	1SQA010404R0001	1
Transformer 240 V AC no bulb		A3XMN6N	1SQA010186R0001	1
Transformer 277 V AC no bulb		A3XMN7N	1SQA010188R0001	1
Transformer 280 V AC no bulb		A3XMN8N	1SQA010187R0001	1
Transformer 600 V AC no bulb		A3XMN9N	1SQA010407R0001	1

30 mm heavy duty oil-tight range

NEMA enclosures

Description

Painted sheet steel or stainless steel.

Material type	Text	Number of holes	Catalog number	Pkg qty
NEMA 1, 3, 3R, 12, 13				
Painted sheet steel	Start	1	104PEG11C	1
	Stop	1	104PEG11D	1
	Hand-Off-Auto	1	104PEG11E	1
	Start-Stop	2	104PEG12G	1
	Open-Close	2	104PEG12K	1
	Open-Close-Stop	3	104PEG13P	1
	Estop	1	104PEG11S	1
	Hand-Auto	1	104PEG11T	1
	No text	1	104PEG11	1
	No text	2	104PEG12	1
	No text	3	104PEG13	1
	No text	4	104PEG14	1
No text	6	104PEG23	1	
NEMA 3, 3R, 4, 4X, 12, 13				
Stainless steel	Start	1	104PES11C	1
NEMA 4X stainless steel				
Stainless steel	Hand-Off-Auto	1	104PES11E	1
	Start-Stop	2	104PES12G	1
	Open-Close	2	104PES12K	1
	Open-Close-Stop	3	104PES13P	1
	Estop	1	104PES11S	1
	Hand-Auto	1	104PES11T	1
	No text	1	104PES11	1
	No text	2	104PES12	1
	No text	3	104PES13	1
	No text	4	104PES14	1
	No text	6	104PES23	1

30 mm heavy duty oil-tight range

Name plates

Description

To select size, replace asterisk (*) in product number with appropriate digit from sizes table.

Text	Catalog number	Pkg qty
Blank	CR104PXN*B	1
Blank (Red)	CR104PXN*R	1
Blank (with round)	CR104PXN6E	1
CLOSE	CR104PXN*BP006	1
DECREASE	CR104PXN*BP007	1
DOWN	CR104PXN*BP008	1
EMERGENCY STOP (Red)	CR104PXN*RP009	1
FAST	CR104PXN*BP010	1
FORWARD	CR104PXN*BP011	1
HIGH	CR104PXN*BP012	1
IN	CR104PXN*BP013	1
INCH	CR104PXN*BP014	1
INCREASE	CR104PXN*BP017	1
JOG	CR104PXN*BP018	1
JOG FORWARD	CR104PXN*BP019	1
JOG REVERSE	CR104PXN*BP020	1
LEFT	CR104PXN*BP021	1
LOW	CR104PXN*BP022	1
LOWER	CR104PXN*BP023	1
OFF	CR104PXN*BP024	1
ON	CR104PXN*BP025	1
OPEN	CR104PXN*BP026	1
OUT	CR104PXN*BP027	1
POWER ON	CR104PXN*BP084	1
RAISE	CR104PXN*BP028	1
RESET	CR104PXN*BP030	1
RETURN	CR104PXN*BP031	1
REVERSE	CR104PXN*BP032	1
RIGHT	CR104PXN*BP033	1
RUN	CR104PXN*BP034	1
SLOW	CR104PXN*BP036	1
START	CR104PXN*BP037	1
START CYCLE	CR104PXN*BP038	1
STOP (Red)	CR104PXN*RP040	1
STOP CYCLE (Red)	CR104PXN*RP041	1
TEST	CR104PXN*BP043	1
UP	CR104PXN*BP047	1
EMERGENCY STOP PULL TO TEST (Red)	CR104PXN*RP048	1
PUSH TO STOP–PULL TO START	CR104PXN*BP085	1

Sizes table

Sizes	Dimensions (H x W, Inches)
-------	-------------------------------

Nameplate

Standard (Replace * with 1)	1.98 x 1.93
Large (Replace * with 2)	1.98 x 2.63
Extra-large, automotive (Replace * with 3)	2.40 x 2.44

Continued on next page

30 mm heavy duty oil-tight range

Name plates

Description

To select size, replace asterisk (*) in product number with appropriate digit from sizes table.

Text	Catalog number	Pkg qty
FOR-REV	CR104PXN*BP050	1
HAND-AUTO	CR104PXN*BP051	1
HIGH-LOW	CR104PXN*BP052	1
JOG-RUN	CR104PXN*BP053	1
LEFT-RIGHT	CR104PXN*BP054	1
LOW-HIGH	CR104PXN*BP055	1
LOWER-RAISE	CR104PXN*BP056	1
OFF-ON	CR104PXN*BP057	1
OPEN-CLOSE	CR104PXN*BP058	1
RAISE-LOWER	CR104PXN*BP059	1
REV-FOR	CR104PXN*BP060	1
RUN-JOG	CR104PXN*BP061	1
SAFE-RUN	CR104PXN*BP062	1
SAFE-STOP-RUN	CR104PXN*BP063	1
SLOW-FAST	CR104PXN*BP064	1
START-JOG	CR104PXN*BP087	1
START-STOP	CR104PXN*BP086	1
STOP-START	CR104PXN*BP065	1
UP-DOWN	CR104PXN*BP066	1
OFF-COOLANT-ON	CR104PXN*BP067	1
AUTO-OFF-HAND	CR104PXN*BP083	1
FOR-OFF-REV	CR104PXN*BP068	1
FOR-STOP-REV	CR104PXN*BP069	1
HAND-OFF-AUTO	CR104PXN*BP070	1
JOG-OFF-RUN	CR104PXN*BP071	1
JOG-SAFE-RUN	CR104PXN*BP072	1
LOW-OFF-HIGH	CR104PXN*BP073	1
LOWER-OFF-RAISE	CR104PXN*BP074	1
MAN-OFF-AUTO	CR104PXN*BP076 \$1.80	1
OPEN-OFF-CLOSE	CR104PXN*BP077	1
REV-OFF-FOR	CR104PXN*BP079	1
SLOW-OFF-FAST	CR104PXN*BP080	1
SLOW-STOP-FAST	CR104PXN*BP081	1
POTENTIOMETER MARKINGS	CR104PXN*BP082	1
OFF-AUTO	CR104PXN1BP090	1
ON-OFF-AUTO	CR104PXN1BP091	1
PUSH TO STOP-TURN TO RESET (Round w/Yellow Background)	CR104PXN6EP092	1
Yellow Background Emergency Stop	CR104PXN6EP099	1

Sizes table

Sizes	Dimensions (H x W, Inches)
-------	-------------------------------

Nameplate


Standard (Replace * with 1)	1.98 x 1.93
Large (Replace * with 2)	1.98 x 2.63
Extra-large, automotive (Replace * with 3)	2.40 x 2.44

30 mm heavy duty oil-tight range

Technical specifications

Standards	UL Listed File # E2403	
Utilization	Category NEMA	A600/P600
Degree of protection	Operators	NEMA: 1, 3, 3R, 4, 4X, 12 and 13 IEC 529; IP10, IP11, IP14, IP52, IP54, IP56 and IP66

Rated operational current

NEMA A600 — 10 continuous amps			NEMA P600 — Rating codes for DC control	
Voltage AC	Make amps	Break amps	Circuit application	
120 V	60	6	Thermal continuous test current amps 5.0	
240 V	30	3	Maximum make or break; current / amps	
480 V	15	1.5	125 V	1.10
600 V	12	1.2	250 V	0.55
Total VA	7200	720	301–600 V	0.20
			Maximum make or break	
			Volt amperes at 300 V or Less 138	
Contact blocks	A3X	600 V AC maximum, heavy duty 200 V AC 0.25 amp, 10 watt maximum 200 V DC 0.50 amp, 10 watt maximum		
a  Positively driven contacts.	Contact blocks are suitable for applications down to 5V/1mA low voltage applications as found in PLCs.			
Pilot light	Full voltage LED module Transformer type	A3L	-B (6-8 V), -1 (12 V), -2 (24 V), -4 (120 V) -L (6-24 V), U (24-240 V) -5 (120 V), -6 (240 V), -7 (277 V), -8 (480 V), -9 (600 V)	120 V AC/DC max. 240 V AC/DC max. 600 V AC max., 50/60 Hz
Push-to-test	Full voltage LED module Transformer type	A3PL	-B (6-8 V), -1 (12 V), -2 (24 V), -4 (120 V) -L (6-24 V), U (24-240 V) -5 (120 V), -6 (240 V), -7 (277 V), -8 (480 V), -9 (600 V)	120 V AC/DC max. 240 V AC/DC max. 600 V AC max., 50/60 Hz
Illuminated push-pull	Full voltage LED module Transformer	A3PP	-B (6-8 V), -1 (12 V), -2 (24 V), -4 (120 V) -L (6-24 V), U (24-240 V) -5 (120 V), -6 (240 V), -7 (277 V), -8 (480 V), -9 (600 V)	120 V AC/DC max. 240 V AC/DC max. 600 V AC max., 50/60 Hz
Twist-to-release	Full voltage LED module Transformer	A3PT	-B (6-8 V), -1 (12 V), -2 (24 V), -4 (120 V) -L (6-24 V), U (24-240 V) -5 (120 V), -6 (240 V), -7 (277 V), -8 (480 V), -9 (600 V)	120 V AC/DC max. 240 V AC/DC max. 600 V AC max., 50/60 Hz
Illuminated selector switch	Full voltage Transformer	A3S	-B (6-8 V), -1 (12 V), -2 (24 V), -4 (120 V) -L (6-24 V), U (24-240 V) -5 (120 V), -6 (240 V), -7 (277 V), -8 (480 V), -9 (600 V)	120 V AC/DC max. 240 V AC/DC max. 600 V AC max., 50/60 Hz
Dielectric strength	2200 V for one minute			

Mechanical design life cycles

Vibration	Frequency 5–60 Hz.; Disp. .030 inches, sweep 5 minutes for a duration of 30 minutes on each axis. Not to exceed 5.5 G's for maximum of 1 minute.	
Pushbuttons	Momentary, non-illuminated Momentary, illuminated	5,000,000 Operating cycles 300,000 Operating cycles
Push-pull	Maintained Momentary	300,000 Operating cycles 2,000,000 Operating cycles
Twist-to-release		300,000 Operating cycles
Selector Switches	Non-illuminated Illuminated, key-operated	2,000,000 Operating cycles 2,000,000 Operating cycles
Contact operation	Standard contact black Logic reed	
Wire gauge	#18-12 AWG	
Terminal screw torque	2-10 lb-in / 20 lb-in max; 8 lb-in recommended	
Locknut torque	15 ft. lbs. max	
Temperature range	Operating storage	31 °F to +158 °F (-35 °C to +70 °C) 40 °F to +185 °F (-40 °C to +85 °C)

All parts are designed and manufactured of corrosion-resistant material or are plated or painted as corrosion protection. All contact block contacts are gold flashed as a standard offering. Internal return spring mechanisms of operators and contact blocks of stainless steel. RoHS Compliant.

Declaration of Conformity — The products listed below, to which this declaration relates, are in conformity with the following standards, following the provisions of the Low Voltage Directive (LVD) (73/23/EEC), and the Electromagnetic Compatibility Directive (89/336/EEC.)

Products: Contact Blocks: Cat Nos. A3XC0B, A3XC0M, A3XC01, A3XC10, A3XC0N and A3XC91, with suffixes. Pilot Lights: Cat Nos 52P, with suffixes. Operators: Cat Nos 52S or 52P, with suffixes.

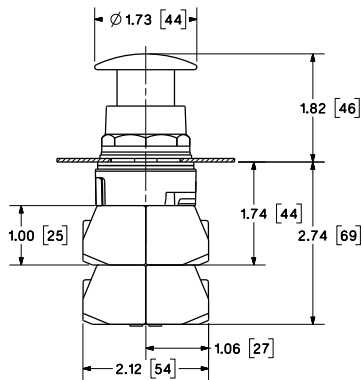
Applicable Standards: EN 60947-5-1 Low-Voltage Switchgear and control gear. Enclosed devices meet the requirements of environmental ratings of IP10, IP11, IP14, IP52, IP54, and IP56. Open devices, when mounted as instructed, in environmental type IP10, IP11, IP14, IP52, IP54 or IP56 enclosures, maintain the environmental requirements for those enclosure types. 2 Position, Twist-To-Release and 2 Position, Push Pull Maintained operators provided with red operating heads and A3XC91 contact blocks meet the requirements of EN 60947-5-5 for Electrical Emergency Stop Device With Mechanical Latching Function (e-stop).

30 mm heavy duty oil-tight range

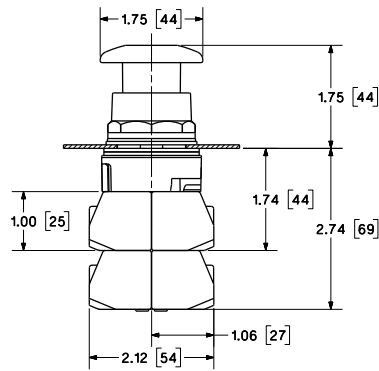
Dimensions

30 mm water, oil-tight and corrosion-resistant — Class 52

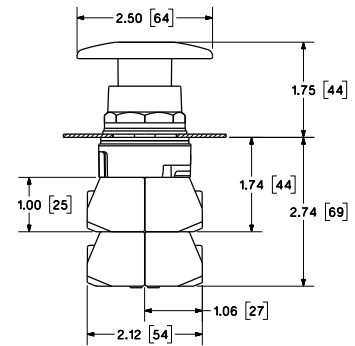
Non-illuminated push-pull metal mushroom head



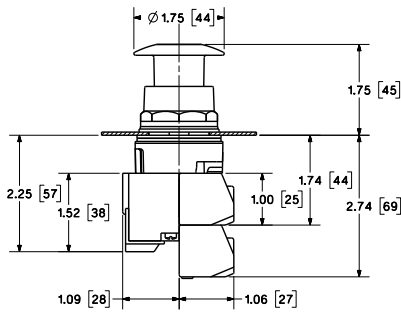
Non-illuminated push-pull small plastic mushroom head



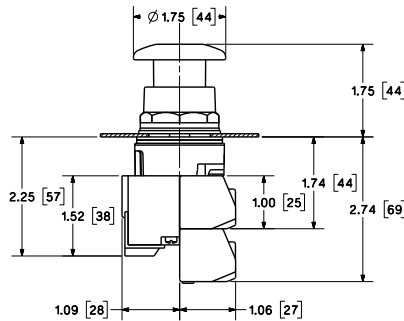
Non-illuminated push-pull large plastic mushroom head



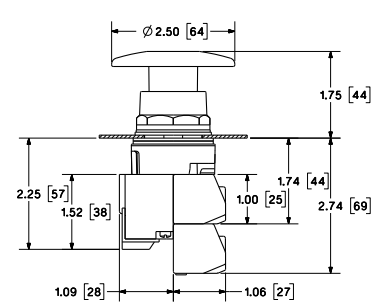
Illuminated push-pull metal mushroom head



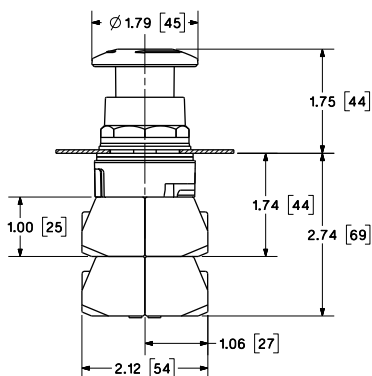
Fully illuminated push-pull small plastic mushroom head



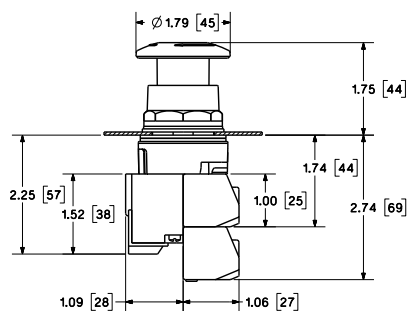
Illuminated push-pull large plastic mushroom head



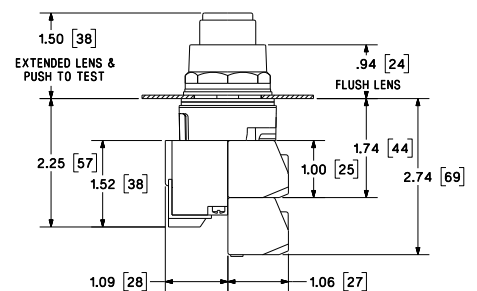
Non-illuminated twist release plastic mushroom head



Illuminated twist release plastic mushroom head



Illuminated pushbutton flush lens
illuminated pushbutton extended lens
illuminated push to test

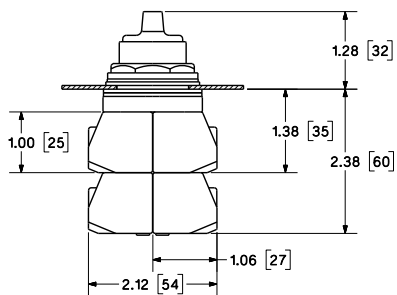


30 mm heavy duty oil-tight range

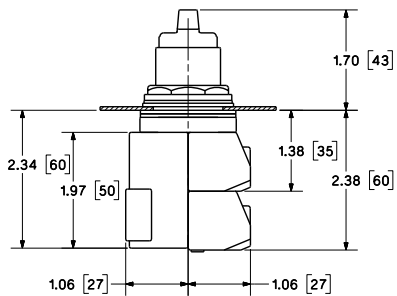
Dimensions

30 mm water, oil-tight and corrosion-resistant — Class 52

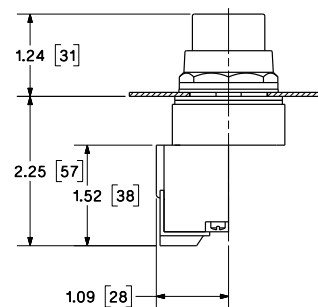
Selector switch
Non-illuminated



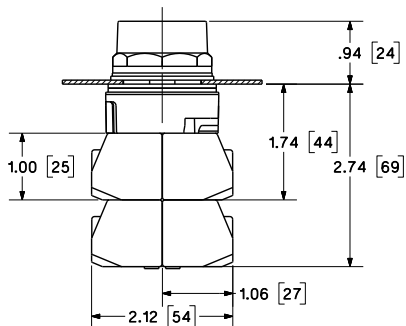
Selector switch
illuminated



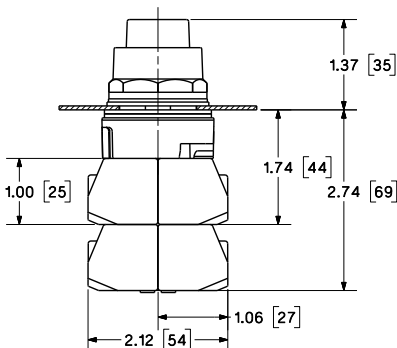
Indicator light
plastic lens



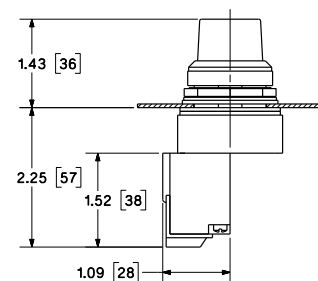
Momentary pushbutton
non-illuminated flush cap



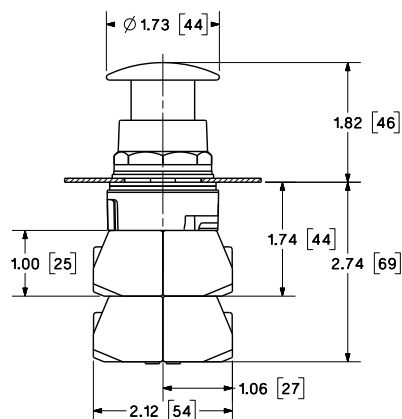
Momentary pushbutton
non-illuminated raised cap



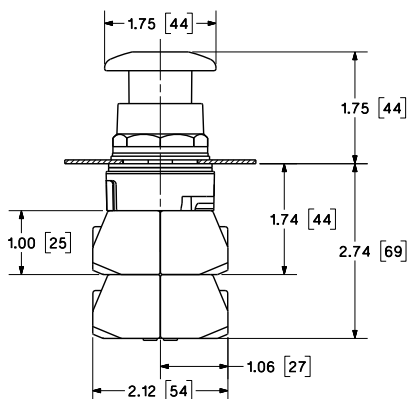
Indicator light
glass lens



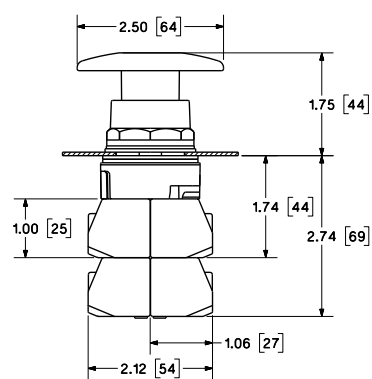
Momentary pushbutton
metal mushroom head



Momentary pushbutton
small plastic mushroom head



Momentary pushbutton
large plastic mushroom head

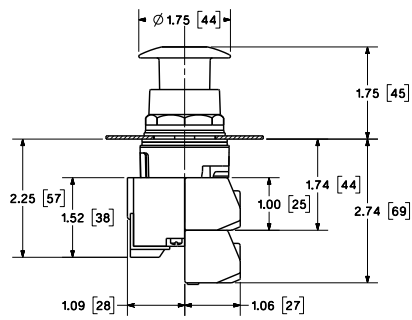


30 mm heavy duty oil-tight range

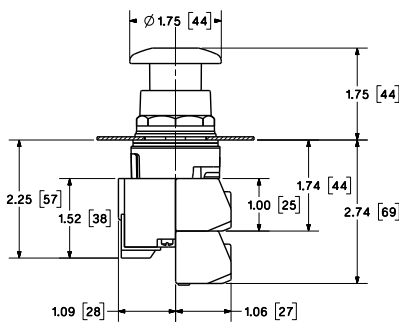
Dimensions

30 mm water, oil-tight and corrosion-resistant — Class 52

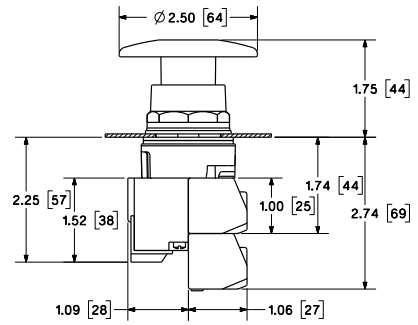
Illuminated momentary pushbutton
metal mushroom head



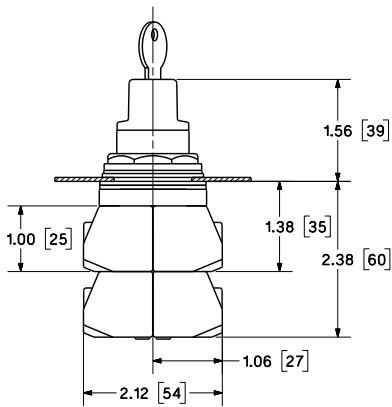
Illuminated momentary pushbutton
small plastic mushroom head



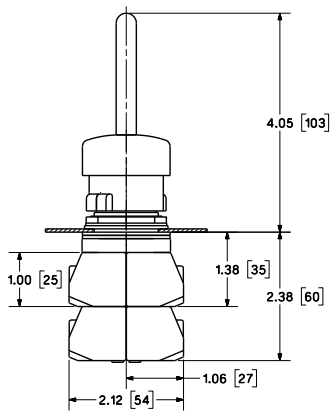
Illuminated momentary pushbutton
large plastic mushroom head



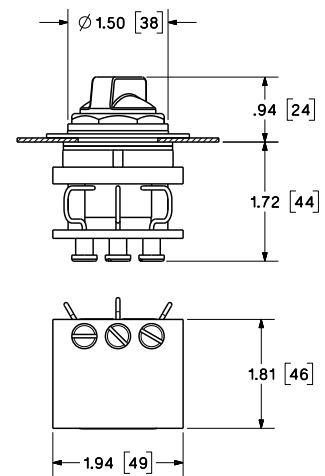
Selector switch
keyed



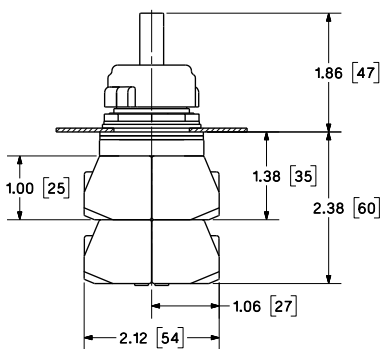
Wobble switch



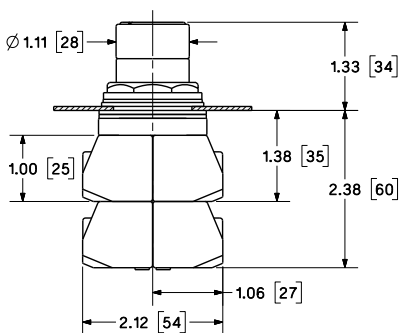
Potentiometer switch



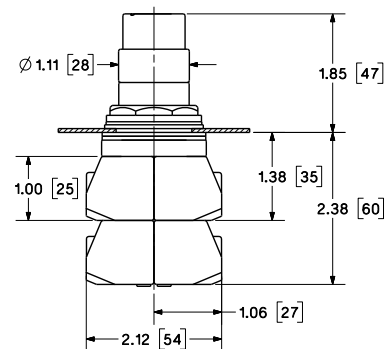
Toggle switch



Selector pushbutton switch
flush cap



Selector pushbutton switch
raised cap

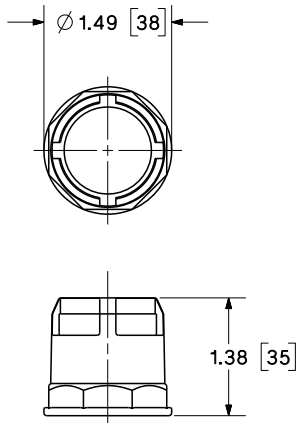


30 mm heavy duty oil-tight range

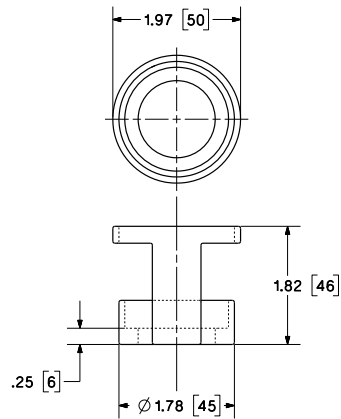
Dimensions

30 mm water, oil-tight and corrosion-resistant — Class 52

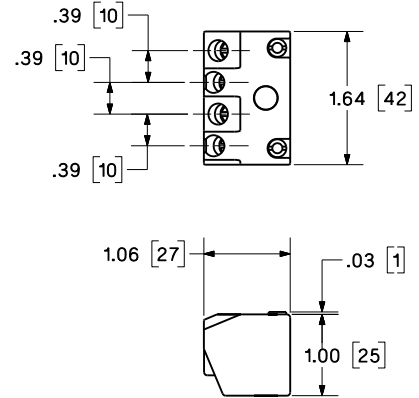
Momentary pushbutton guard
illuminated push to test guard



Mushroom head guard



Contact block



Pilot devices

Signal towers and signal beacons

Ordering details

183	Signal towers–Light elements
184	Signal towers–Bulbs and audible modules
185	Accessories
186	Signal beacons

187 Technical data

188 Dimensions and drilling plans

Signal towers and signal beacons



Signal towers

- Fast mounting of signal elements using bayonet fixing
- Easy changing of bulbs for each module without tools
- Flexibility of signal element combination
- Up to 5 elements possible/up to 10 elements with bracket for 2-sided mounting
- High protection rating optical and audible signal elements with IP54
- LED elements for long life

Signal beacons

- High protection rating IP65
- Cap consists of high impact polycarbonate (up to 20 J)
- Bulb change via inside of control box

Simple fitting with quick fix system

Each signal tower module is equipped with a bayonet fixing with integral contact system. The modules are fastened together by aligning the corresponding white marks then with a gentle twist they are locked into place (see the figures).

Signal towers and beacons

- Permanent light
- Blinking light
- Flashing light
- Audible
- LED permanent light
- LED blinking light
- LED rotating light

Signal towers and signal beacons

Signal towers–Light elements



KL70-401B

1SFC151507F0001



KL70-401Y

1SFC151508F0001



KA4-102...

1SFC151509F0001

Description

When ordering:

- Select up to 5 light elements
- Select up to 10 elements if bracket for 2-sided mounting is used
- Select up to 2 audible elements if bracket for 2-sided mounting is used (optional)
- Select bulb (optional)
- Select terminal element for preferred mounting type
- Select accessories for preferred mounting type.

Color	Rated voltage	Type	Order code	Pkg qty	Weight (1pce) kg
Light element with integrated LED					
● Red	24 V AC/DC	Permanent light	KL70-305R 1SFA616070R3051	1	0.100
● Green	24 V AC/DC	Permanent light	KL70-305G 1SFA616070R3052	1	0.100
● Yellow	24 V AC/DC	Permanent light	KL70-305Y 1SFA616070R3053	1	0.100
● Blue	24 V AC/DC	Permanent light	KL70-305L 1SFA616070R3054	1	0.100
○ Clear	24 V AC/DC	Permanent light	KL70-305C 1SFA616070R3058	1	0.100
● Red	24 V AC/DC	Blinking light	KL70-306R 1SFA616070R3061	1	0.100
● Green	24 V AC/DC	Blinking light	KL70-306G 1SFA616070R3062	1	0.100
● Yellow	24 V AC/DC	Blinking light	KL70-306Y 1SFA616070R3063	1	0.100
● Blue	24 V AC/DC	Blinking light	KL70-306L 1SFA616070R3064	1	0.100
○ Clear	24 V AC/DC	Blinking light	KL70-306C 1SFA616070R3068	1	0.100
● Red	24 V AC/DC	Rotating light	KL70-307R 1SFA616070R3071	1	0.100
● Green	24 V AC/DC	Rotating light	KL70-307G 1SFA616070R3072	1	0.100
● Yellow	24 V AC/DC	Rotating light	KL70-307Y 1SFA616070R3073	1	0.100
● Blue	24 V AC/DC	Rotating light	KL70-307L 1SFA616070R3074	1	0.100
○ Clear	24 V AC/DC	Rotating light	KL70-307C 1SFA616070R3078	1	0.100
● Red	115 V AC	Blinking light	KL70-342R 1SFA616070R3421	1	0.100
● Green	115 V AC	Blinking light	KL70-342G 1SFA616070R3422	1	0.100
● Yellow	115 V AC	Blinking light	KL70-342Y 1SFA616070R3423	1	0.100
● Blue	115 V AC	Blinking light	KL70-342L 1SFA616070R3424	1	0.100
○ Clear	115 V AC	Blinking light	KL70-342C 1SFA616070R3428	1	0.100
● Red	230 V AC	Blinking light	KL70-352R 1SFA616070R3521	1	0.100
● Green	230 V AC	Blinking light	KL70-352G 1SFA616070R3522	1	0.100
● Yellow	230 V AC	Blinking light	KL70-352Y 1SFA616070R3523	1	0.100
● Blue	230 V AC	Blinking light	KL70-352L 1SFA616070R3524	1	0.100
○ Clear	230 V AC	Blinking light	KL70-352C 1SFA616070R3528	1	0.100
Light element for bulb Ba 15d, bulb not included					
● Red	12 ... 230 V AC/DC	Permanent light	KL70-401R 1SFA616070R4011	1	0.090
● Green	12 ... 230 V AC/DC	Permanent light	KL70-401G 1SFA616070R4012	1	0.090
● Yellow	12 ... 230 V AC/DC	Permanent light	KL70-401Y 1SFA616070R4013	1	0.090
● Blue	12 ... 230 V AC/DC	Permanent light	KL70-401L 1SFA616070R4014	1	0.090
○ Clear	12 ... 230 V AC/DC	Permanent light	KL70-401C 1SFA616070R4018	1	0.090

Signal towers and signal beacons

Signal towers–Bulbs and audible modules



KL70-401B

1SFC151507P0001



KL70-401Y

1SFC151508F0001



KA4-102...

1SFC151509F0001

Description

When ordering:

- Select up to 5 light elements
- Select up to 10 elements if bracket for 2-sided mounting is used
- Select up to 2 audible element (optional)
- Select bulb (optional)
- Select terminal element for preferred mounting type
- Select accessories for preferred mounting type.

Description	Rated voltage	Type	Order code	Pkg qty	Weight (1pce) kg
Bulbs for light element					
Bulb Ba 15d, 42 mm max 7 W					
For permanent or blinking light element	24 V AC/DC, 5 W	KA4-1028	1SFA616923R1028	10	0.009
For permanent or blinking light element	115 V AC/DC, 5 W	KA4-1118	1SFA616923R1118	10	0.009
For permanent or blinking light element	230 V AC/DC, 5 W	KA4-1148	1SFA616923R1148	10	0.009
LED bulbs Ba 15d, 40mA					
● Red	24 V AC/DC	KA4-1021	1SFA616924R1021	1	0.009
● Green	24 V AC/DC	KA4-1022	1SFA616924R1022	1	0.009
● Yellow	24 V AC/DC	KA4-1023	1SFA616924R1023	1	0.009
● Blue	24 V AC/DC	KA4-1024	1SFA616924R1024	1	0.009
○ Clear	24 V AC/DC	KA4-1025	1SFA616924R1025	1	0.009

Audible modules

Buzzer element

Adjustable tone, 85 dB

Continuous or pulsating tone	230 V AC	KB70-1201	1SFA616071R1201	1	0.120
Continuous or pulsating tone	24 V AC/DC	KB70-3001	1SFA616071R3001	1	0.110
Continuous or pulsating tone	115 V AC	KB70-3101	1SFA616071R3101	1	0.110

Siren element

Multi function 8 diff. Tones adjustable volume adjustable 100 dB	115 V AC	KS70-1104	1SFA616073R1104	1	0.130
Multi function 8 diff. Tones adjustable volume adjustable 100 dB	230 V AC	KS70-1204	1SFA616073R1204	1	0.120
Multi function 7 diff. Tones adjustable volume adjustable 100 dB	24 V DC	KS70-2004	1SFA616073R2004	1	0.120
Multi function 8 diff. Tones adjustable volume adjustable 100 dB	24 V AC/DC	KS70-3004	1SFA616073R3004	1	0.120
Continuous tone alternating 108 dB	24 V DC	KS70-2002	1SFA616073R2002	1	0.150

Signal towers and signal beacons

Accessories



KT70-1001

1SFC151510F0001



KA70-1001

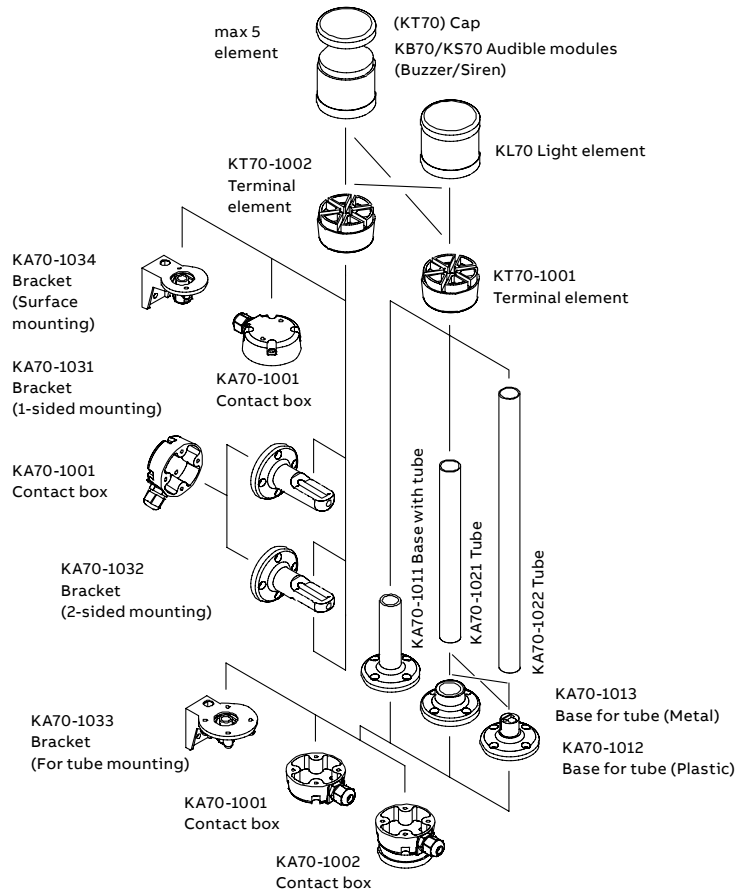
1SFC151511F0001



KA70-1034

1SFC151512F0001

Description	Type	Order code	Pkg qty	Weight (1pce) kg
Terminal elements				
For tube mounting, including cap	KT70-1001	1SFA616075R1001	1	0.150
For bracket or base, including cap	KT70-1002	1SFA616075R1002	1	0.150
Special parts				
Contact box				
Cable exit at side	KA70-1001	1SFA616077R1001	1	0.070
Magnetic base	KA70-1002	1SFA616077R1002	1	0.070
Base with tube				
D=25 mm L=110 mm	KA70-1011	1SFA616077R1011	1	0.060
Base for tube				
D=25 mm, plastic	KA70-1012	1SFA616077R1012	1	0.030
D=25 mm, metal	KA70-1013	1SFA616077R1013	1	0.320
Tube, anodized aluminum				
D=25 mm L=250 mm	KA70-1021	1SFA616077R1021	1	0.080
D=25 mm L=400 mm	KA70-1022	1SFA616077R1022	1	0.120
D=25 mm L=800 mm	KA70-1023	1SFA616077R1023	1	0.240
Bracket				
1-sided mounting, max. 5 elements	KA70-1031	1SFA616077R1031	1	0.070
2-sided mounting, max. 10 elements	KA70-1032	1SFA616077R1032	1	0.070
For tube mounting	KA70-1033	1SFA616077R1033	1	0.070
For surface mounting	KA70-1034	1SFA616077R1034	1	0.070



Signal towers and signal beacons

Signal beacons



KSB-401G

1SFC1513F0001



KASB-100

1SFC1514F0001

Description

For panel mounting with hole diameter 37 mm, with optional anti-twist device.

Color	Rated voltage	Type	Order code	Pkg qty	Weight (1pce) kg
Integrated LED					
● Red	24 V AC/DC	Permanent light	KSB-305R 1SFA616080R3051	1	0.140
● Green	24 V AC/DC	Permanent light	KSB-305G 1SFA616080R3052	1	0.140
● Yellow	24 V AC/DC	Permanent light	KSB-305Y 1SFA616080R3053	1	0.140
● Red	24 V AC/DC	Blinking light	KSB-306R 1SFA616080R3061	1	0.140
● Green	24 V AC/DC	Blinking light	KSB-306G 1SFA616080R3062	1	0.140
● Yellow	24 V AC/DC	Blinking light	KSB-306Y 1SFA616080R3063	1	0.140
● Red	24 V AC/DC	Rotating light	KSB-307R 1SFA616080R3071	1	0.140
● Green	24 V AC/DC	Rotating light	KSB-307G 1SFA616080R3072	1	0.140
● Yellow	24 V AC/DC	Rotating light	KSB-307Y 1SFA616080R3073	1	0.140
● Red	115 V AC	Permanent light	KSB-115R 1SFA616080R1151	1	0.140
● Green	115 V AC	Permanent light	KSB-115G 1SFA616080R1152	1	0.140
● Yellow	115 V AC	Permanent light	KSB-115Y 1SFA616080R1153	1	0.140

Integrated xenon tube

● Red	24 V DC	Flashing light	KSB-203R 1SFA616080R2031	1	0.140
● Green	24 V DC	Flashing light	KSB-203G 1SFA616080R2032	1	0.140
● Yellow	24 V DC	Flashing light	KSB-203Y 1SFA616080R2033	1	0.140
● Blue	24 V DC	Flashing light	KSB-203L 1SFA616080R2034	1	0.140
○ Clear	24 V DC	Flashing light	KSB-203C 1SFA616080R2038	1	0.140
● Red	115 V AC	Flashing light	KSB-113R 1SFA616080R1131	1	0.140
● Green	115 V AC	Flashing light	KSB-113G 1SFA616080R1132	1	0.140
● Yellow	115 V AC	Flashing light	KSB-113Y 1SFA616080R1133	1	0.140
● Blue	115 V AC	Flashing light	KSB-113L 1SFA616080R1134	1	0.140
○ Clear	115 V AC	Flashing light	KSB-113C 1SFA616080R1138	1	0.140
● Red	230 V AC	Flashing light	KSB-123R 1SFA616080R1231	1	0.140
● Green	230 V AC	Flashing light	KSB-123G 1SFA616080R1232	1	0.140
● Yellow	230 V AC	Flashing light	KSB-123Y 1SFA616080R1233	1	0.140
● Blue	230 V AC	Flashing light	KSB-123L 1SFA616080R1234	1	0.140
○ Clear	230 V AC	Flashing light	KSB-123C 1SFA616080R1238	1	0.140

For bulb Ba 15d, bulb not included

● Red	12 ... 240 V AC/DC	Permanent light	KSB-401R 1SFA616080R4011	1	0.130
● Green	12 ... 240 V AC/DC	Permanent light	KSB-401G 1SFA616080R4012	1	0.130
● Yellow	12 ... 240 V AC/DC	Permanent light	KSB-401Y 1SFA616080R4013	1	0.130
● Blue	12 ... 240 V AC/DC	Permanent light	KSB-401L 1SFA616080R4014	1	0.130
○ Clear	12 ... 240 V AC/DC	Permanent light	KSB-401C 1SFA616080R4018	1	0.130

Bulbs for light element

Bulb Ba 15d, 42 mm

max 10 W for permanent light

	12 V AC/DC, 7 W	KA3-1018	1SFA616922R1018	10	0.011
	24 V AC/DC, 7 W	KA3-1028	1SFA616922R1028	10	0.011
	115 V AC/DC, 7 W	KA3-1118	1SFA616922R1118	10	0.011
	220 ... 260 V AC/DC, 7 ... 10 W	KA3-1148	1SFA616922R1148	10	0.011

Special parts

Anti-twist device	KASB-1000	1SFA616087R1000	1	0.005
-------------------	-----------	-----------------	---	-------

Signal towers and signal beacons

Technical data

Signal towers K70

Technical specifications

Housing and accessories	Polyamide, high impact, black
Dome	Polycarbonate, transparent
Fixing	Base mounting, tube Ø 25mm, bracket mounting
Socket	B 15 d, for bulb max. 7W
Connection	Screw connection up to 2.5 mm ²
Number of modules possible 1-sided bracket	max. 5
Number of modules possible 2-sided bracket	max. 10

Degrees of protection

Light elements	IP 54	UL type 5
Audible elements	IP 54	UL type 5

Electrical data

Permanent light element	12 ... 240 V
Bulb socket B 15 d, max 7 W	Bulb not included

Flashing light element

	24 V DC	115 V AC	230 V AC
Flash frequency	1 Hz	1 Hz	1 Hz
Flash energy	2 Ws	2 Ws	2 Ws
Life duration	4 million flashes		
Current consumption	125 mA	22 mA	15 mA
Reduced for AS-Interface	80 mA	80 mA	80 mA
Starting current	< 0.5 A at 24 V		

LED permanent light element

	24 V AC/DC	115 V AC	230 V AC
Life duration	100 000 hours		
Current consumption	45 mA	25mA	25mA
Starting current	< 0.5 A at 24 V		

LED blinking light element

	24 V AC/DC	115 V AC	230 V AC
Life duration	100 000 hours		
Current consumption	25 mA	25mA	25mA
Starting current	< 0.5 A at 24 V		
Blink frequency	~ 1 Hz	~ 1 Hz	~ 1 Hz

Signal beacons KSB

Technical specifications

Housing and accessories	PC/ABS-blend, high impact, black
Dome	Polycarbonate, transparent
Fixing	Installation mounting for Ø 37mm, (PG 29)
Bulb socket	B 15 d, for bulb max. 10W
Bulb change	Via rear access with bayonet mechanism (Bulb not included)
Connection	Screw connection max 2.5 mm ²
Degrees of protection	IP 65, UL type 5

Electrical data

Permanent light element	
Operating voltage	max. 250 V
Life duration	100 000 hours

Bulb socket B 15 d, max 10 W	Bulb not included
------------------------------	-------------------

LED version: Permanent light

	24 V AC/DC
Life duration	100 000 hours
Current consumption	45 mA

Rotation light element

	24 V AC/DC
Life duration	100 000 hours
Current consumption	70 mA
Starting current	< 0.5 A

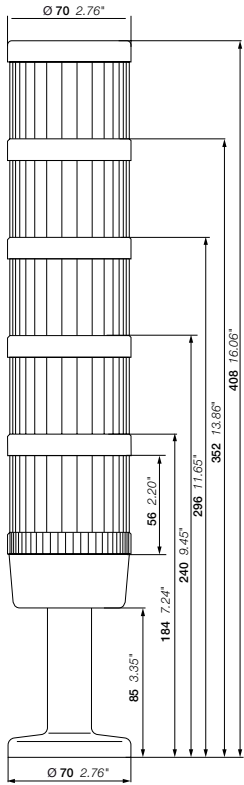
Flashing light element

	24 V AC/DC	115 V AC	230 V AC
Operating voltage	24 V AC/DC	115 V AC	230 V AC
Flash frequency	1 Hz	1 Hz	1 Hz
Flash energy	2 Ws	2 Ws	2 Ws
Life duration	4 million flashes		
Current consumption	125 mA	20mA	35 mA
Starting current	< 0.5 A	< 0.5 A	< 0.5 A

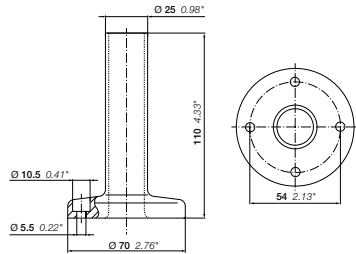
Signal towers and signal beacons

Dimensions and drilling plans

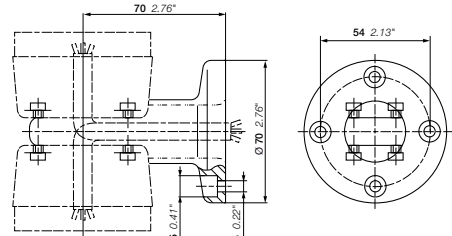
Signal towers K70



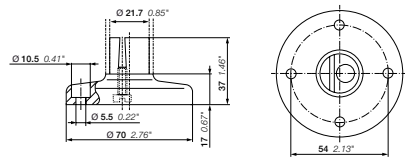
Base with integrated tube



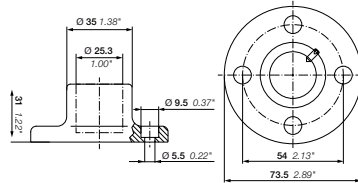
Bracket 2-sided mounting



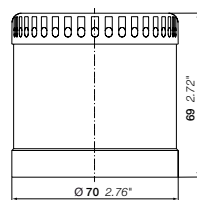
Base for tube, plastic



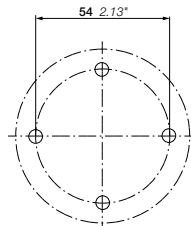
Base for tube, metal



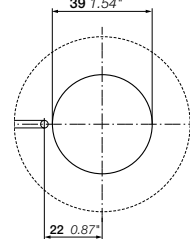
Audible module



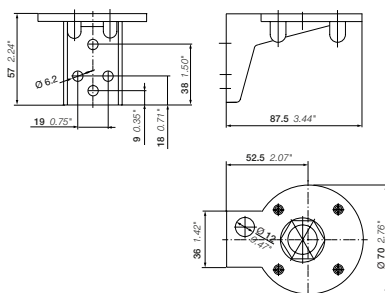
Drilling plan for signal towers K70



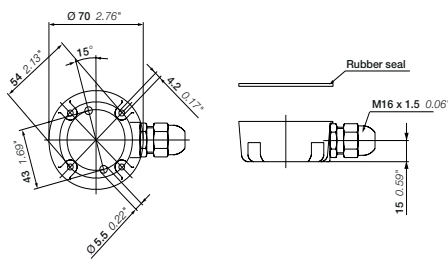
Drilling plan for signal beacons KSB



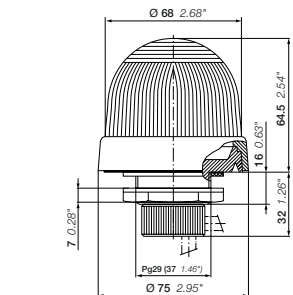
Bracket for tube mounting



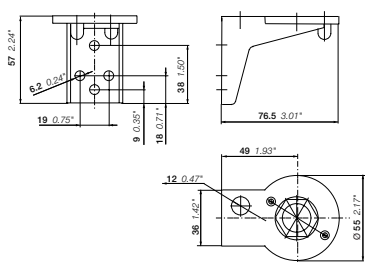
Contact box for cable exit at side



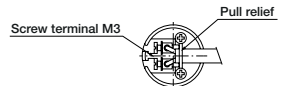
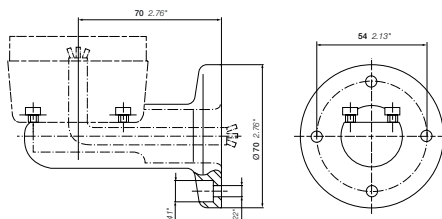
Signal beacons KSB



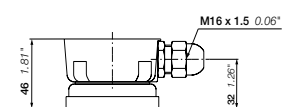
Bracket for surface mounting



Bracket 1-sided mounting



Contact box with magnetic base



General technical data

Color selection

Color selection according to IEC 60073

IEC 60073 specifies coding principles for indicators and actuators and gives recommendation regarding the use of colors. An excerpt from the standard is given below. For detailed information, see the standard.

Meaning of colors – General principles

Color	Safety of persons or environment	Condition of process	State of equipment
● Red	Danger	Emergency	Faulty
● Yellow	Warning/caution	Abnormal	Abnormal
● Green	Safe	Normal	Normal
● Blue	Mandatory significance		
○ ● White, gray, black	No specific meaning assigned		

Non-illuminated actuators

Emergency Actuators

EMERGENCY STOP / OFF actuators shall be identified by the color RED.

STOP / OFF actuators

WHITE, GREY and BLACK are the preferred colors for STOP / OFF actuators, with the main preference being for BLACK. RED is also permitted. GREEN shall not be used.

START / ON actuators

WHITE, GREY and BLACK are the preferred colors for START / ON actuators, which cause the closing of switching devices and the equipment to start, with the main preference being for WHITE. GREEN is also permitted. RED shall not be used.

Use of WHITE and BLACK for specific meanings

Where the colors WHITE and BLACK are used to distinguish between START / ON and STOP / OFF actuators, then the color WHITE shall be used for START / ON actuators and the color BLACK shall be used for STOP / OFF actuators.

The same actuators serving for START / STOP or ON / OFF

WHITE, GREY and BLACK are the preferred colors for actuators which, when actuated several times, act alternately as a

START / ON and STOP / OFF actuator.

The colors YELLOW and GREEN shall not be used. The color RED shall be used only in cases where the same actuator, other than a pushbutton, is used for both EMERGENCY STOP / OFF and normal operation.

WHITE, GREY and BLACK are preferred colors for actuators which cause a movement while they are actuated and stop the movement when they are released (such as inching or jogging actuators). GREEN is also permitted. RED shall not be used.

RESET actuators

RESET Actuators (used, for example, with protective relays) shall be BLUE, WHITE, GREY or BLACK, except RESET actuators which also act as STOP / OFF actuators. The color of such STOP / OFF actuators shall be in accordance with STOP / OFF actuators above.

General technical data

Degrees of protection

In an installation, the degree of protection required for electrical equipment depends on the environmental characteristics.

The degree of protection, ensured by the enclosure of equipment or by the cubicle containing the equipment is expressed by the IP code which gives the level of protection against access to hazardous parts, the ingress of foreign bodies and/or the ingress of water, in compliance with IEC 60529, IEC 60947-1. Besides the IP symbol, the complete code has two figures followed (optionally) by two additional letters. A short description of the elements used in IP coding is given below.

First figure	Specifications for installation protection	Protection of persons
	Against ingress of foreign bodies	Against access to hazardous parts with:
IP 0	No protection	No protection
1	Diameter > 50 mm	Back of hand
2	Diameter > 12.5 mm	Finger
3	Diameter > 2.5 mm	Tool
4	Diameter > 1 mm	Wire
5	Limited protection against dust	Wire
6	Total protection against dust	Wire
Second figure	Against entrance of water having a harmful effect	
0	No protection	
1	Vertical dripping	
2	Dripping at a vertical angle of < 15°	
3	Rain at a vertical angle of < 60°	
4	Splashing	
5	Low pressure water jet	
6	Powerful water jets	
7	Temporary immersion	
8	Permanent immersion	
9K*	High pressure, high temperature washdown	



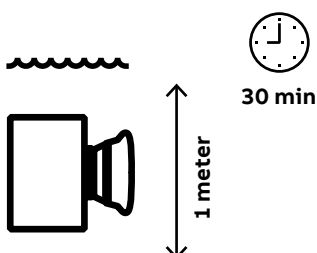
Note: the type of enclosure or cubicle in which the equipment must be installed prevails with respect to the degree of protection.

(*) According to DIN 400 50-9.

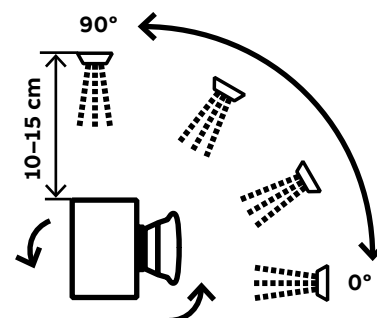
Water tests

IP67

The product is submerged



IP69K



Index

Order code classification

Order code	Type	Page	Order code	Type	Page	Order code	Type	Page
1SFA170190R8000	080CP-N	80	1SFA184033R9003	P9M-EM3GN	59	1SFA1844409R9006	P9M-SCD5A95	68
1SFA170191R8000	080CP-R	80	1SFA184040R9006	P9M-EM4NN	59	1SFA1844410R9006	P9M-SCI5C95	68
1SFA170192R8000	080CP-V	80	1SFA184041R9001	P9M-EM4RN	59	1SFA1844433R9006	P9M-SCZ0A95	69
1SFA170198R8000	080CP-T	80	1SFA184042R9002	P9M-EM4VN	59	1SFA1844434R9006	P9M-SCZ0C95	69
1SFA170801R1001	080SP-1	81	1SFA184043R9003	P9M-EM4GN	59	1SFA1844436R9006	P9M-SCZ0H95	69
1SFA170802R1002	080SP-2	81	1SFA184050R9006	P9M-EM6NN	59	1SFA1844438R9006	P9M-SCZ0N95	69
1SFA170803R1003	080SP-3	81	1SFA184051R9001	P9M-EM6RN	59	1SFA1844439R9006	P9M-SCZ0T95	69
1SFA170804R1004	080SP-4	81	1SFA184052R9002	P9M-EM6VN	59	1SFA1844449R9006	P9M-SCZ1C95	69
1SFA170806R1006	080SP-6	81	1SFA184053R9003	P9M-EM6GN	59	1SFA1844451R9006	P9M-SCZ1N95	69
1SFA170807R1008	080SP-8	81	1SFA184057R9003	P9M-PNGS	56	1SFA1844461R9006	P9M-SCZ5A95	70
1SFA170808R1012	080SP-12	81	1SFA184060R9006	P9M-ET4NN1	59	1SFA1844462R9006	P9M-SCZ5C95	70
1SFA170809R1018	080SP-18	81	1SFA184061R9001	P9M-ET4RN1	59	1SFA1844463R9006	P9M-SCZ5H95	70
1SFA170810R1024	080SP-24	81	1SFA184062R9002	P9M-ET4VN1	59	1SFA1844467R9006	P9M-SCZ3C95	70
1SFA170831R1001	080SP-1M	81	1SFA184063R9003	P9M-ET4GN1	59	1SFA1844468R9006	P9M-SCX0A95	71
1SFA170832R1002	080SP-2M	81	1SFA184070R9001	P9M-ER3RN	59	1SFA1844482R9006	P9M-SCX0Z95	71
1SFA170834R1004	080SP-4M	81	1SFA184071R9001	P9M-ER4RN	59	1SFA1844491R9101	P9M-PLRGD	58
1SFA170835R2000	080SP-1SFC	82	1SFA184073R9001	P9M-EC4RN95	59	1SFA1844492R9102	P9M-PLVGD	58
1SFA170836R3001	080SP-1SFE	81	1SFA184110R9006	P9M-SMD0N	62	1SFA1844493R9103	P9M-PLGGD	58
1SFA170837R4000	080SP-1SF	82	1SFA184111R9001	P9M-SMD0R	62	1SFA1844495R9109	P9M-PLAGD	58
1SFA170838R2000	080SP-1MSFC	82	1SFA184120R9006	P9M-SMI0N	62	1SFA1844496R9104	P9M-PLLGD	58
1SFA170839R3001	080SP-1MSFE	81	1SFA184123R9003	P9M-SMIOG	62	1SFA1844497R9105	P9M-PLBGD	58
1SFA170840R4000	080SP-1MSF	82	1SFA184140R9006	P9M-SMD5N	62	1SFA1844498R9108	P9M-PLIGD	58
1SFA170841R2000	080SP-2SFC	82	1SFA184141R9001	P9M-SMD5R	62	1SFA184501R9101	P9M-PLRSD	58
1SFA170842R3002	080SP-2SFE	81	1SFA184143R9003	P9M-SMD5G	62	1SFA184502R9102	P9M-PLVSD	58
1SFA170843R4000	080SP-2SF	82	1SFA184150R9006	P9M-SMI5N	62	1SFA184503R9103	P9M-PLGSD	58
1SFA170844R2000	080SP-2MSFC	82	1SFA184151R9001	P9M-SMI5R	62	1SFA184505R9109	P9M-PLASD	58
1SFA170846R4000	080SP-2MSF	82	1SFA184152R9002	P9M-SMI5V	62	1SFA184506R9104	P9M-PLLSD	58
1SFA170847R2000	080SP-3SFC	82	1SFA184200R9006	P9M-SMZ0N	64	1SFA184507R9105	P9M-PLBSD	58
1SFA170848R3003	080SP-3SFE	81	1SFA184201R9001	P9M-SMZ0R	64	1SFA184521R9101	P9M-PLRGV	58
1SFA170849R4000	080SP-3SF	82	1SFA184240R9006	P9M-SMZ1N	64	1SFA184522R9102	P9M-PLVGV	58
1SFA170850R3004	080SP-4SFE	81	1SFA184241R9001	P9M-SMZ1R	64	1SFA184523R9103	P9M-PLGGV	58
1SFA170852R3006	080SP-6SFE	81	1SFA184280R9006	P9M-SMZ5N	64	1SFA184526R9104	P9M-PLLGV	58
1SFA170853R2000	080SP-8SFC	82	1SFA184320R9006	P9M-SMZ3N	64	1SFA184527R9105	P9M-PLBGV	58
1SFA170854R3008	080SP-8SFE	81	1SFA184321R9001	P9M-SMZ3R	64	1SFA184551R9101	P9M-EM4RL	60
1SFA170855R4000	080SP-8SF	82	1SFA184340R9006	P9M-SMX5N	66	1SFA184552R9102	P9M-EM4VL	60
1SFA170856R2000	080SP-12SFC	82	1SFA184350R9006	P9M-SMY0N	67	1SFA184553R9103	P9M-EM4GL	60
1SFA170857R3012	080SP-12SFE	81	1SFA184351R9001	P9M-SMY0R	67	1SFA184556R9104	P9M-EM4LL	60
1SFA170858R4000	080SP-12SF	82	1SFA184360R9006	P9M-SMW0N	67	1SFA184561R9101	P9M-ET4RL1	60
1SFA170859R2000	080SP-18SFC	82	1SFA184370R9006	P9M-SVD0N	62	1SFA184562R9102	P9M-ET4VL1	60
1SFA170861R4000	080SP-18SF	82	1SFA184371R9006	P9M-SVI0N	62	1SFA184563R9103	P9M-ET4GL1	60
1SFA184000R9006	P9M-PNNG	56	1SFA184373R9006	P9M-SVD5N	62	1SFA184566R9104	P9M-ET4LL1	60
1SFA184001R9001	P9M-PNRR	56	1SFA184374R9006	P9M-SVI5N	62	1SFA184591R9101	P9M-SLD0R	63
1SFA184002R9002	P9M-PNVG	56	1SFA184379R9006	P9M-SVZ0N	64	1SFA184592R9102	P9M-SLD0V	63
1SFA184003R9003	P9M-PNGG	56	1SFA184383R9006	P9M-SVZ1N	64	1SFA184593R9103	P9M-SLD0G	63
1SFA184006R9004	P9M-PNLG	56	1SFA184387R9006	P9M-SVZ5N	64	1SFA184595R9109	P9M-SLD0A	63
1SFA184007R9005	P9M-PNBB	56	1SFA184391R9006	P9M-SVZ3N	64	1SFA184596R9104	P9M-SLD0L	63
1SFA184008R9007	P9M-PNHG	56	1SFA184392R9006	P9M-SVX0N	66	1SFA184597R9105	P9M-SLD0B	63
1SFA184010R9006	P9M-PNNS	56	1SFA184393R9006	P9M-SVX5N	66	1SFA184598R9108	P9M-SLD0I	63
1SFA184011R9001	P9M-PNRS	56	1SFA184397R9006	P9M-SMX0N	66	1SFA184601R9101	P9M-SLZ0R	65
1SFA184012R9002	P9M-PNVS	56	1SFA184400R9006	P9M-SCD0A95	68	1SFA184602R9102	P9M-SLZ0V	65
1SFA184016R9004	P9M-PNLS	56	1SFA184401R9006	P9M-SCD0E95	68	1SFA184603R9103	P9M-SLZ0G	65
1SFA184017R9005	P9M-PNBS	56	1SFA184402R9006	P9M-SCD0K95	68	1SFA184605R9109	P9M-SLZ0A	65
1SFA184030R9006	P9M-EM3NN	59	1SFA184403R9006	P9M-SCIOE95	68	1SFA184606R9104	P9M-SLZ0L	65
1SFA184031R9001	P9M-EM3RN	59	1SFA184404R9006	P9M-SCIOE95	68	1SFA184607R9105	P9M-SLZ0B	65
1SFA184032R9002	P9M-EM3VN	59	1SFA184405R9006	P9M-SCION95	68	1SFA184611R9101	P9M-SLZ1R	65

Index

Order code classification

Order code	Type	Page	Order code	Type	Page	Order code	Type	Page
1SFA184612R9102	P9M-SLZ1V	65	1SFA187003R8110	P9B-01VR	76	1SFA187210R9501	P9M-PNRS029	57
1SFA184613R9103	P9M-SLZ1G	65	1SFA187004R8201	P9B-10VA	76	1SFA187235R9506	P9M-PNNS032	57
1SFA184616R9104	P9MSLZ1L	65	1SFA187008R8020	P9B-02VN	76	1SFA187250R9506	P9M-PNNS029	57
1SFA184617R9105	P9M-SLZ1B	65	1SFA187009R8002	P9B-20VN	76	1SFA187490R8000	P9A-RCST	80
1SFA184621R9101	P9M-SLZ5R	65	1SFA187012R8310	P9B-01FN	76	1SFA187495R8000	P9A-RSGMN	73
1SFA184622R9102	P9M-SLZ5V	65	1SFA187013R8301	P9B-10FN	76	1SFA187496R8000	P9A-RSGMB	73
1SFA184626R9104	P9M-SLZ5L	65	1SFA187020R1080	P9P-DNVO	77	1SFA187840R8000	P9A-CRCL	80
1SFA184628R9108	P9M-SLZ5I	65	1SFA187027R8000	P9P-DTVO	77	1SFA187841R8000	P9A-CFS3	76
1SFA184631R9101	P9M-SLZ3R	65	1SFA187055R1300	P9P-DNFO	77	1SFA187842R8000	P9A-CFS5	76
1SFA184632R9102	P9M-SLZ3V	65	1SFA187110R9501	P9M-PNNG029	57	1SFA187843R8000	P9A-CDPP	56, 58, 80
1SFA184633R9103	P9M-SLZ3G	65	1SFA187111R9506	P9M-PNNG028	57	1SFA187845R8000	P9A-CWAF	80
1SFA184635R9109	P9M-SLZ3A	65	1SFA187112R9502	P9M-PNVG028	57	1SFA188043R8000	P9A-RSCMN	73
1SFA184636R9104	P9M-SLZ3L	65	1SFA187117R9506	P9M-PNNG006	57	1SFA188044R8000	P9A-RSCMB	73
1SFA184637R9105	P9M-SLZ3B	65	1SFA187118R9502	P9M-PNVG006	57	1SFA188057R9505	P9M-PNBG030	57
1SFA184638R9108	P9M-SLZ3I	65	1SFA187139R9506	P9M-PNNG002	57	1SFA188801R8000	P9A-RAM32	80
1SFA184641R9101	P9M-SAD0R	63	1SFA187143R9504	P9M-PNLG037	57	1SFA188804R8000	P9A-CA6	80
1SFA184642R9102	P9M-SAD0V	63	1SFA187145R9506	P9M-PNNG030	57	1SFA188886R9506	P9M-PNNG085	57
1SFA184646R9104	P9M-SAD0L	63	1SFA187146R9502	P9M-PNVG030	57	1SFA188900R9504	P9M-PNLG007	57
1SFA184647R9105	P9M-SAD0B	63	1SFA187147R9501	P9M-PNNG201	57	1SFA188908R9506	P9M-PNNG201	57
1SFA184652R9102	P9M-SAZ0V	65	1SFA187149R9502	P9M-PNVG202	57	1SFA192000R9001	P9M-EC4RN01	59
1SFA184657R9105	P9M-SAZ0B	65	1SFA187150R9506	P9M-PNNG029	57	1SFA192012R9001	P9M-EC4RN37	59
1SFA184682R9102	P9M-SAZ3V	65	1SFA187151R9505	P9M-PNBG028	57	1SFA192105R9006	P9M-SCD0A01	68
1SFA184685R9109	P9M-SAZ3A	65	1SFA187152R9505	P9M-PNBG006	57	1SFA192117R9006	P9M-SCD0A37	68
1SFA184687R9105	P9M-SAZ3B	65	1SFA187160R1005	BA9S-6LEDB	78, 106	1SFA192120R9006	P9M-SCD0E01	68
1SFA184691R9006	P9M-PS22G	75	1SFA187161R1003	BA9S-6LEDG	78, 106	1SFA192135R9006	P9M-SCD0K01	68
1SFA184693R9006	P9M-PS34G	75	1SFA187162R1004	BA9S-6LEDL	78, 106	1SFA192147R9006	P9M-SCD0K37	68
1SFA184695R9006	P9M-CD	74	1SFA187163R1001	BA9S-6LEDR	78, 106	1SFA192150R9006	P9M-SCI0C01	68
1SFA184696R9006	P9M-CB	74	1SFA187164R1002	BA9S-6LEDV	78, 106	1SFA192162R9006	P9M-SCI0C37	68
1SFA184697R9006	P9M-CC	74	1SFA187165R1015	BA9S-12LEDB	78, 106	1SFA192165R9006	P9M-SCI0E01	68
1SFA184700R9006	P9M-MN2F	72	1SFA187166R1013	BA9S-12LEDG	78, 106	1SFA192240R9006	P9M-SCD5A01	68
1SFA184701R9006	P9M-MN2T	72	1SFA187167R1014	BA9S-12LEDL	78, 106	1SFA192250R9006	P9M-SCD5A33	68
1SFA184702R9006	P9M-MN2A	72	1SFA187168R1011	BA9S-12LEDR	78, 106	1SFA192252R9006	P9M-SCD5A37	68
1SFA184703R9006	P9M-MN2B	72	1SFA187169R1012	BA9S-12LEDV	78, 106	1SFA192255R9006	P9M-SCI5C01	68
1SFA184709R9006	P9M-MB2FG	72	1SFA187170R1025	BA9S-24LEDB	78, 106	1SFA192267R9006	P9M-SCI5C37	68
1SFA184710R9006	P9M-MB2F	72	1SFA187171R1023	BA9S-24LEDG	78, 106	1SFA192690R9006	P9M-SCZ0T01	69
1SFA184711R9006	P9M-MB2T	72	1SFA187172R1024	BA9S-24LEDL	78, 106	1SFA192702R9006	P9M-SCZ0T37	69
1SFA184712R9006	P9M-MB2A	72	1SFA187173R1021	BA9S-24LEDR	78, 106	1SFA193020R9006	P9M-SCZ5A01	70
1SFA184716R9006	P9M-MN4TG	72	1SFA187174R1022	BA9S-24LEDV	78, 106	1SFA193050R9006	P9M-SCZ5H01	70
1SFA184720R9006	P9M-MN4F	72	1SFA187175R1035	BA9S-48LEDB	78, 106	1SFA193110R9006	P9M-SCZ3C01	70
1SFA184721R9006	P9M-MN4T	72	1SFA187176R1033	BA9S-48LEDG	78, 106	1SFA193335R9006	P9M-SCX0Z01	71
1SFA184740R9006	P9M-MB4F	72	1SFA187177R1034	BA9S-48LEDL	78, 106	1SFA197001R1015	P9P-LNVDB	79
1SFA184741R9006	P9M-MB4T	72	1SFA187178R1031	BA9S-48LEDR	78, 106	1SFA197002R1013	P9P-LNVVG	79
1SFA184744R9006	P9M-MB4TG	72	1SFA187179R1032	BA9S-48LEDV	78, 106	1SFA197003R1014	P9P-LNVDL	79
1SFA184791R9001	P9M-LRD	61	1SFA187180R1045	BA9S-110LEDB	78, 106	1SFA197004R1011	P9P-LNVDR	79
1SFA184792R9002	P9M-LVD	61	1SFA187181R1043	BA9S-110LEDG	78, 106	1SFA197005R1012	P9P-LNVDV	79
1SFA184793R9003	P9M-LGD	61	1SFA187182R1044	BA9S-110LEDL	78, 106	1SFA197007R1045	P9P-LNVJB	79
1SFA184795R9009	P9M-LAD	61	1SFA187183R1041	BA9S-110LEDR	78, 106	1SFA197008R1043	P9P-LNVJG	79
1SFA184796R9004	P9M-LLD	61	1SFA187184R1042	BA9S-110LEDV	78, 106	1SFA197009R1044	P9P-LNVJL	79
1SFA184797R9005	P9M-LBD	61	1SFA187185R1055	BA9S-230LEDB	78, 106	1SFA197010R1041	P9P-LNVJR	79
1SFA184798R9008	P9M-LID	61	1SFA187186R1053	BA9S-230LEDG	78, 106	1SFA197011R1042	P9P-LNVJV	79
1SFA184822R9003	P9M-SVD0G	62	1SFA187187R1054	BA9S-230LEDL	78, 106	1SFA197013R1075	P9P-LNVNB	79
1SFA184856R9001	P9M-SVZ0R	64	1SFA187188R1051	BA9S-230LEDR	78, 106	1SFA197014R1073	P9P-LNVNG	79
1SFA187000R8011	P9B-11VN	76	1SFA187189R1052	BA9S-230LEDV	78, 106	1SFA197015R1074	P9P-LNVNL	79
1SFA187001R8010	P9B-01VN	76	1SFA187190R1045	BA9S-130LED	78, 106	1SFA197016R1071	P9P-LNVNR	79
1SFA187002R8001	P9B-10VN	76	1SFA187191R1045	BA9S-60LED	78, 106			

Index

Order code classification

Order code	Type	Page	Order code	Type	Page	Order code	Type	Page
1SFA197017R1072	P9P-LNINV	79	1SFA611100R3104	MP1-31L	17	1SFA611102R2006	MP3-20B	16
1SFA197018R1019	P9P-LFVDA	79	1SFA611100R3105	MP1-31W	17	1SFA611102R2101	MP3-21R	18
1SFA197019R1015	P9P-LFVDB	79	1SFA611100R3108	MP1-31C	17	1SFA611102R2102	MP3-21G	18
1SFA197020R1013	P9P-LFVDG	79	1SFA611101R1001	MP2-10R	15	1SFA611102R2103	MP3-21Y	18
1SFA197021R1014	P9P-LFVDL	79	1SFA611101R1002	MP2-10G	15	1SFA611102R2104	MP3-21L	18
1SFA197022R1011	P9P-LFVDR	79	1SFA611101R1003	MP2-10Y	15	1SFA611102R2105	MP3-21W	18
1SFA197023R1012	P9P-LFVDV	79	1SFA611101R1004	MP2-10L	15	1SFA611102R2108	MP3-21C	18
1SFA197025R1045	P9P-LFVJB	79	1SFA611101R1005	MP2-10W	15	1SFA611102R3001	MP3-30R	16
1SFA197026R1043	P9P-LFVJG	79	1SFA611101R1006	MP2-10B	15	1SFA611102R3002	MP3-30G	16
1SFA197028R1041	P9P-LFVJR	79	1SFA611101R1008	MP2-10C	15	1SFA611102R3003	MP3-30Y	16
1SFA197031R1075	P9P-LFVNB	79	1SFA611101R1101	MP2-11R	17	1SFA611102R3004	MP3-30L	16
1SFA197032R1073	P9P-LFVNG	79	1SFA611101R1102	MP2-11G	17	1SFA611102R3005	MP3-30W	16
1SFA197034R1071	P9P-LFVNR	79	1SFA611101R1103	MP2-11Y	17	1SFA611102R3006	MP3-30B	16
1SFA205236R8020	P9B-02VN-AA	76	1SFA611101R1104	MP2-11L	17	1SFA611102R3008	MP3-30C	16
1SFA215831R1000	P9P-DNV0-AA	77	1SFA611101R1105	MP2-11W	17	1SFA611102R3101	MP3-31R	18
1SFA215832R8001	P9B-10VN-AA	76	1SFA611101R1108	MP2-11C	17	1SFA611102R3102	MP3-31G	18
1SFA215834R1300	P9P-DNF0-AA	77	1SFA611101R2001	MP2-20R	15	1SFA611102R3103	MP3-31Y	18
1SFA215835R8301	P9B-10FN-AA	76	1SFA611101R2002	MP2-20G	15	1SFA611102R3104	MP3-31L	18
1SFA242712R8011	P9B-11VN-AA	76	1SFA611101R2004	MP2-20L	15	1SFA611102R3105	MP3-31W	18
1SFA611100R1001	MP1-10R	15	1SFA611101R2005	MP2-20W	15	1SFA611102R3108	MP3-31C	18
1SFA611100R1002	MP1-10G	15	1SFA611101R2006	MP2-20B	15	1SFA611103R1001	MP4-10R	16
1SFA611100R1003	MP1-10Y	15	1SFA611101R2101	MP2-21R	17	1SFA611103R1002	MP4-10G	16
1SFA611100R1004	MP1-10L	15	1SFA611101R2102	MP2-21G	17	1SFA611103R1003	MP4-10Y	16
1SFA611100R1005	MP1-10W	15	1SFA611101R2103	MP2-21Y	17	1SFA611103R1004	MP4-10L	16
1SFA611100R1006	MP1-10B	15	1SFA611101R2104	MP2-21L	17	1SFA611103R1005	MP4-10W	16
1SFA611100R1008	MP1-10C	15	1SFA611101R2105	MP2-21W	17	1SFA611103R1006	MP4-10B	16
1SFA611100R1101	MP1-11R	17	1SFA611101R3001	MP2-30R	15	1SFA611103R1008	MP4-10C	16
1SFA611100R1102	MP1-11G	17	1SFA611101R3002	MP2-30G	15	1SFA611103R1101	MP4-11R	18
1SFA611100R1103	MP1-11Y	17	1SFA611101R3003	MP2-30Y	15	1SFA611103R1102	MP4-11G	18
1SFA611100R1104	MP1-11L	17	1SFA611101R3004	MP2-30L	15	1SFA611103R1103	MP4-11Y	18
1SFA611100R1105	MP1-11W	17	1SFA611101R3006	MP2-30B	15	1SFA611103R1104	MP4-11L	18
1SFA611100R1108	MP1-11C	17	1SFA611101R3101	MP2-31R	17	1SFA611103R1105	MP4-11W	18
1SFA611100R2001	MP1-20R	15	1SFA611101R3102	MP2-31G	17	1SFA611103R1108	MP4-11C	18
1SFA611100R2002	MP1-20G	15	1SFA611101R3103	MP2-31Y	17	1SFA611103R2001	MP4-20R	16
1SFA611100R2003	MP1-20Y	15	1SFA611101R3104	MP2-31L	17	1SFA611103R2002	MP4-20G	16
1SFA611100R2004	MP1-20L	15	1SFA611101R3105	MP2-31W	17	1SFA611103R2003	MP4-20Y	16
1SFA611100R2005	MP1-20W	15	1SFA611101R3108	MP2-31C	17	1SFA611103R2004	MP4-20L	16
1SFA611100R2006	MP1-20B	15	1SFA611102R1001	MP3-10R	16	1SFA611103R2101	MP4-21R	18
1SFA611100R2008	MP1-20C	15	1SFA611102R1002	MP3-10G	16	1SFA611103R2102	MP4-21G	18
1SFA611100R2101	MP1-21R	17	1SFA611102R1003	MP3-10Y	16	1SFA611103R2103	MP4-21Y	18
1SFA611100R2102	MP1-21G	17	1SFA611102R1004	MP3-10L	16	1SFA611103R2104	MP4-21L	18
1SFA611100R2103	MP1-21Y	17	1SFA611102R1005	MP3-10W	16	1SFA611103R2105	MP4-21W	18
1SFA611100R2104	MP1-21L	17	1SFA611102R1006	MP3-10B	16	1SFA611103R2108	MP4-21C	18
1SFA611100R2105	MP1-21W	17	1SFA611102R1008	MP3-10C	16	1SFA611103R3002	MP4-30G	16
1SFA611100R2108	MP1-21C	17	1SFA611102R1101	MP3-11R	18	1SFA611103R3006	MP4-30B	16
1SFA611100R3001	MP1-30R	15	1SFA611102R1102	MP3-11G	18	1SFA611103R3101	MP4-31R	18
1SFA611100R3002	MP1-30G	15	1SFA611102R1103	MP3-11Y	18	1SFA611103R3102	MP4-31G	18
1SFA611100R3003	MP1-30Y	15	1SFA611102R1104	MP3-11L	18	1SFA611103R3104	MP4-31L	18
1SFA611100R3004	MP1-30L	15	1SFA611102R1105	MP3-11W	18	1SFA611103R3108	MP4-31C	18
1SFA611100R3005	MP1-30W	15	1SFA611102R1108	MP3-11C	18	1SFA611124R1001	MPM1-10R	22
1SFA611100R3006	MP1-30B	15	1SFA611102R2001	MP3-20R	16	1SFA611124R1002	MPM1-10G	22
1SFA611100R3008	MP1-30C	15	1SFA611102R2002	MP3-20G	16	1SFA611124R1003	MPM1-10Y	22
1SFA611100R3101	MP1-31R	17	1SFA611102R2003	MP3-20Y	16	1SFA611124R1006	MPM1-10B	22
1SFA611100R3102	MP1-31G	17	1SFA611102R2004	MP3-20L	16	1SFA611124R1101	MPM1-11R	22
1SFA611100R3103	MP1-31Y	17	1SFA611102R2005	MP3-20W	16	1SFA611124R1102	MPM1-11G	22

Index

Order code classification

Order code	Type	Page	Order code	Type	Page	Order code	Type	Page
1SFA611124R1103	MPM1-11Y	22	1SFA611144R1101	MPD15-11R	21	1SFA611201R2108	M2SS2-21C	32
1SFA611125R1001	MPM2-10R	22	1SFA611144R1102	MPD15-11G	21	1SFA611201R3001	M2SS2-30R	26
1SFA611125R1003	MPM2-10Y	22	1SFA611144R1103	MPD15-11Y	21	1SFA611201R3006	M2SS2-30B	26
1SFA611125R1006	MPM2-10B	22	1SFA611144R1106	MPD15-11B	19	1SFA611201R3007	M2SS2-30U	26
1SFA611125R1101	MPM2-11R	22	1SFA611144R1108	MPD15-11C	21	1SFA611201R3101	M2SS2-31R	32
1SFA611125R1103	MPM2-11Y	22	1SFA611145R1101	MPD16-11R	21	1SFA611201R3102	M2SS2-31G	32
1SFA611130R1101	MPD1-11R	20	1SFA611145R1102	MPD16-11G	21	1SFA611201R3103	M2SS2-31Y	32
1SFA611130R1102	MPD1-11G	20	1SFA611145R1103	MPD16-11Y	21	1SFA611201R3104	M2SS2-31L	32
1SFA611130R1103	MPD1-11Y	20	1SFA611145R1106	MPD16-11B	19	1SFA611201R3108	M2SS2-31C	32
1SFA611130R1106	MPD1-11B	19	1SFA611145R1108	MPD16-11C	21	1SFA611202R1001	M2SS3-10R	26
1SFA611130R1108	MPD1-11C	20	1SFA611146R1102	MPD17-11G	21	1SFA611202R1006	M2SS3-10B	26
1SFA611131R1101	MPD2-11R	20	1SFA611146R1103	MPD17-11Y	21	1SFA611202R1007	M2SS3-10U	26
1SFA611131R1102	MPD2-11G	20	1SFA611146R1106	MPD17-11B	19	1SFA611202R1101	M2SS3-11R	32
1SFA611131R1103	MPD2-11Y	20	1SFA611146R1108	MPD17-11C	21	1SFA611202R1102	M2SS3-11G	32
1SFA611131R1106	MPD2-11B	19	1SFA611147R1106	MPD18-11B	19	1SFA611202R1103	M2SS3-11Y	32
1SFA611131R1108	MPD2-11C	20	1SFA611148R1102	MPD19-11G	21	1SFA611202R1104	M2SS3-11L	32
1SFA611132R1101	MPD3-11R	20	1SFA611148R1106	MPD19-11B	19	1SFA611202R1108	M2SS3-11C	32
1SFA611132R1102	MPD3-11G	20	1SFA611148R1108	MPD19-11C	21	1SFA611202R2001	M2SS3-20R	26
1SFA611132R1103	MPD3-11Y	20	1SFA611200R1001	M2SS1-10R	26	1SFA611202R2006	M2SS3-20B	26
1SFA611132R1106	MPD3-11B	19	1SFA611200R1006	M2SS1-10B	26	1SFA611202R2007	M2SS3-20U	26
1SFA611132R1108	MPD3-11C	20	1SFA611200R1007	M2SS1-10U	26	1SFA611202R2101	M2SS3-21R	32
1SFA611133R1101	MPD4-11R	20	1SFA611200R1101	M2SS1-11R	32	1SFA611202R2102	M2SS3-21G	32
1SFA611133R1102	MPD4-11G	20	1SFA611200R1102	M2SS1-11G	32	1SFA611202R3001	M2SS3-30R	26
1SFA611133R1103	MPD4-11Y	20	1SFA611200R1103	M2SS1-11Y	32	1SFA611202R3006	M2SS3-30B	26
1SFA611133R1106	MPD4-11B	19	1SFA611200R1104	M2SS1-11L	32	1SFA611202R3101	M2SS3-31R	32
1SFA611133R1108	MPD4-11C	20	1SFA611200R1108	M2SS1-11C	32	1SFA611202R3102	M2SS3-31G	32
1SFA611134R1101	MPD5-11R	20	1SFA611200R2001	M2SS1-20R	26	1SFA611202R3103	M2SS3-31Y	32
1SFA611134R1102	MPD5-11G	20	1SFA611200R2006	M2SS1-20B	26	1SFA611202R3108	M2SS3-31C	32
1SFA611134R1103	MPD5-11Y	20	1SFA611200R2007	M2SS1-20U	26	1SFA611203R1001	M2SS4-10R	27
1SFA611134R1106	MPD5-11B	19	1SFA611200R2101	M2SS1-21R	32	1SFA611203R1006	M2SS4-10B	27
1SFA611134R1108	MPD5-11C	20	1SFA611200R2102	M2SS1-21G	32	1SFA611203R1007	M2SS4-10U	27
1SFA611135R1102	MPD6-11G	20	1SFA611200R2103	M2SS1-21Y	32	1SFA611203R1101	M2SS4-11R	33
1SFA611135R1106	MPD6-11B	19	1SFA611200R2104	M2SS1-21L	32	1SFA611203R1102	M2SS4-11G	33
1SFA611135R1108	MPD6-11C	20	1SFA611200R2108	M2SS1-21C	32	1SFA611203R1103	M2SS4-11Y	33
1SFA611136R1102	MPD7-11G	20	1SFA611200R3001	M2SS1-30R	26	1SFA611203R1104	M2SS4-11L	33
1SFA611136R1106	MPD7-11B	19	1SFA611200R3006	M2SS1-30B	26	1SFA611203R1108	M2SS4-11C	33
1SFA611137R1102	MPD8-11G	20	1SFA611200R3101	M2SS1-31R	32	1SFA611203R2001	M2SS4-20R	27
1SFA611137R1106	MPD8-11B	19	1SFA611200R3102	M2SS1-31G	32	1SFA611203R2006	M2SS4-20B	27
1SFA611137R1108	MPD8-11C	20	1SFA611200R3103	M2SS1-31Y	32	1SFA611203R2007	M2SS4-20U	27
1SFA611138R1106	MPD9-11B	19	1SFA611200R3108	M2SS1-31C	32	1SFA611203R2101	M2SS4-21R	33
1SFA611141R1101	MPD12-11R	21	1SFA611201R1001	M2SS2-10R	26	1SFA611203R2102	M2SS4-21G	33
1SFA611141R1102	MPD12-11G	21	1SFA611201R1006	M2SS2-10B	26	1SFA611203R2103	M2SS4-21Y	33
1SFA611141R1103	MPD12-11Y	21	1SFA611201R1007	M2SS2-10U	26	1SFA611203R2104	M2SS4-21L	33
1SFA611141R1106	MPD12-11B	19	1SFA611201R1101	M2SS2-11R	32	1SFA611203R2108	M2SS4-21C	33
1SFA611141R1108	MPD12-11C	21	1SFA611201R1102	M2SS2-11G	32	1SFA611203R3006	M2SS4-30B	27
1SFA611142R1101	MPD13-11R	21	1SFA611201R1103	M2SS2-11Y	32	1SFA611203R3102	M2SS4-31G	33
1SFA611142R1102	MPD13-11G	21	1SFA611201R1104	M2SS2-11L	32	1SFA611203R3108	M2SS4-31C	33
1SFA611142R1103	MPD13-11Y	21	1SFA611201R1108	M2SS2-11C	32	1SFA611204R1001	M2SS5-10R	27
1SFA611142R1106	MPD13-11B	19	1SFA611201R2001	M2SS2-20R	26	1SFA611204R1006	M2SS5-10B	27
1SFA611142R1108	MPD13-11C	21	1SFA611201R2006	M2SS2-20B	26	1SFA611204R1007	M2SS5-10U	27
1SFA611143R1101	MPD14-11R	21	1SFA611201R2007	M2SS2-20U	26	1SFA611204R1101	M2SS5-11R	33
1SFA611143R1102	MPD14-11G	21	1SFA611201R2101	M2SS2-21R	32	1SFA611204R1102	M2SS5-11G	33
1SFA611143R1103	MPD14-11Y	21	1SFA611201R2102	M2SS2-21G	32	1SFA611204R1103	M2SS5-11Y	33
1SFA611143R1106	MPD14-11B	19	1SFA611201R2103	M2SS2-21Y	32	1SFA611204R1104	M2SS5-11L	33
1SFA611143R1108	MPD14-11C	21	1SFA611201R2104	M2SS2-21L	32	1SFA611204R1108	M2SS5-11C	33

Index

Order code classification

Order code	Type	Page	Order code	Type	Page	Order code	Type	Page
1SFA611204R2001	M2SS5-20R	27	1SFA611211R1102	M3SS2-11G	34	1SFA611214R1101	M3SS5-11R	35
1SFA611204R2006	M2SS5-20B	27	1SFA611211R1103	M3SS2-11Y	34	1SFA611214R1102	M3SS5-11G	35
1SFA611204R2007	M2SS5-20U	27	1SFA611211R1104	M3SS2-11L	34	1SFA611214R1103	M3SS5-11Y	35
1SFA611204R2101	M2SS5-21R	33	1SFA611211R1108	M3SS2-11C	34	1SFA611214R1104	M3SS5-11L	35
1SFA611204R2102	M2SS5-21G	33	1SFA611211R2001	M3SS2-20R	28	1SFA611214R1108	M3SS5-11C	35
1SFA611204R2103	M2SS5-21Y	33	1SFA611211R2006	M3SS2-20B	28	1SFA611214R2006	M3SS5-20B	29
1SFA611204R2104	M2SS5-21L	33	1SFA611211R2007	M3SS2-20U	28	1SFA611214R2007	M3SS5-20U	29
1SFA611204R2108	M2SS5-21C	33	1SFA611211R2101	M3SS2-21R	34	1SFA611214R2101	M3SS5-21R	35
1SFA611204R3001	M2SS5-30R	27	1SFA611211R2102	M3SS2-21G	34	1SFA611214R2102	M3SS5-21G	35
1SFA611204R3006	M2SS5-30B	27	1SFA611211R2103	M3SS2-21Y	34	1SFA611214R2103	M3SS5-21Y	35
1SFA611204R3101	M2SS5-31R	33	1SFA611211R2104	M3SS2-21L	34	1SFA611214R2104	M3SS5-21L	35
1SFA611204R3102	M2SS5-31G	33	1SFA611211R2108	M3SS2-21C	34	1SFA611214R2108	M3SS5-21C	35
1SFA611204R3103	M2SS5-31Y	33	1SFA611211R3001	M3SS2-30R	28	1SFA611214R3001	M3SS5-30R	29
1SFA611204R3104	M2SS5-31L	33	1SFA611211R3006	M3SS2-30B	28	1SFA611214R3006	M3SS5-30B	29
1SFA611204R3108	M2SS5-31C	33	1SFA611211R3101	M3SS2-31R	34	1SFA611214R3102	M3SS5-31G	35
1SFA611205R1001	M2SS6-10R	27	1SFA611211R3102	M3SS2-31G	34	1SFA611214R3108	M3SS5-31C	35
1SFA611205R1006	M2SS6-10B	27	1SFA611211R3104	M3SS2-31L	34	1SFA611215R1001	M3SS6-10R	29
1SFA611205R1007	M2SS6-10U	27	1SFA611211R3108	M3SS2-31C	34	1SFA611215R1006	M3SS6-10B	29
1SFA611205R1101	M2SS6-11R	33	1SFA611212R1001	M3SS3-10R	28	1SFA611215R1007	M3SS6-10U	29
1SFA611205R1102	M2SS6-11G	33	1SFA611212R1006	M3SS3-10B	28	1SFA611215R1101	M3SS6-11R	35
1SFA611205R1103	M2SS6-11Y	33	1SFA611212R1007	M3SS3-10U	28	1SFA611215R1102	M3SS6-11G	35
1SFA611205R1104	M2SS6-11L	33	1SFA611212R1101	M3SS3-11R	34	1SFA611215R1103	M3SS6-11Y	35
1SFA611205R1108	M2SS6-11C	33	1SFA611212R1102	M3SS3-11G	34	1SFA611215R1104	M3SS6-11L	35
1SFA611205R2006	M2SS6-20B	27	1SFA611212R1103	M3SS3-11Y	34	1SFA611215R1108	M3SS6-11C	35
1SFA611205R2007	M2SS6-20U	27	1SFA611212R1104	M3SS3-11L	34	1SFA611215R2006	M3SS6-20B	29
1SFA611205R3006	M2SS6-30B	27	1SFA611212R1108	M3SS3-11C	34	1SFA611215R2102	M3SS6-21G	35
1SFA611205R3108	M2SS6-31C	33	1SFA611212R2006	M3SS3-20B	28	1SFA611215R2103	M3SS6-21Y	35
1SFA611210R1001	M3SS1-10R	28	1SFA611212R2007	M3SS3-20U	28	1SFA611215R3006	M3SS6-30B	29
1SFA611210R1006	M3SS1-10B	28	1SFA611212R2101	M3SS3-21R	34	1SFA611215R3104	M3SS6-31L	35
1SFA611210R1007	M3SS1-10U	28	1SFA611212R2102	M3SS3-21G	34	1SFA611216R1001	M3SS7-10R	28
1SFA611210R1101	M3SS1-11R	34	1SFA611212R2108	M3SS3-21C	34	1SFA611216R1006	M3SS7-10B	28
1SFA611210R1102	M3SS1-11G	34	1SFA611212R3006	M3SS3-30B	28	1SFA611216R1007	M3SS7-10U	28
1SFA611210R1103	M3SS1-11Y	34	1SFA611212R3108	M3SS3-31C	34	1SFA611216R1101	M3SS7-11R	34
1SFA611210R1104	M3SS1-11L	34	1SFA611213R1001	M3SS4-10R	29	1SFA611216R1102	M3SS7-11G	34
1SFA611210R1108	M3SS1-11C	34	1SFA611213R1006	M3SS4-10B	29	1SFA611216R1103	M3SS7-11Y	34
1SFA611210R2001	M3SS1-20R	28	1SFA611213R1007	M3SS4-10U	29	1SFA611216R1104	M3SS7-11L	34
1SFA611210R2006	M3SS1-20B	28	1SFA611213R1101	M3SS4-11R	35	1SFA611216R1108	M3SS7-11C	34
1SFA611210R2007	M3SS1-20U	28	1SFA611213R1102	M3SS4-11G	35	1SFA611216R2001	M3SS7-20R	28
1SFA611210R2101	M3SS1-21R	34	1SFA611213R1103	M3SS4-11Y	35	1SFA611216R2006	M3SS7-20B	28
1SFA611210R2102	M3SS1-21G	34	1SFA611213R1104	M3SS4-11L	35	1SFA611216R2102	M3SS7-21G	34
1SFA611210R2103	M3SS1-21Y	34	1SFA611213R1108	M3SS4-11C	35	1SFA611216R2104	M3SS7-21L	34
1SFA611210R2104	M3SS1-21L	34	1SFA611213R2001	M3SS4-20R	29	1SFA611216R2108	M3SS7-21C	34
1SFA611210R2108	M3SS1-21C	34	1SFA611213R2006	M3SS4-20B	29	1SFA611216R3006	M3SS7-30B	28
1SFA611210R3001	M3SS1-30R	28	1SFA611213R2007	M3SS4-20U	29	1SFA611216R3102	M3SS7-31G	34
1SFA611210R3006	M3SS1-30B	28	1SFA611213R2101	M3SS4-21R	35	1SFA611216R3108	M3SS7-31C	34
1SFA611210R3007	M3SS1-30U	28	1SFA611213R2102	M3SS4-21G	35	1SFA611217R1001	M3SS8-10R	29
1SFA611210R3101	M3SS1-31R	34	1SFA611213R2103	M3SS4-21Y	35	1SFA611217R1006	M3SS8-10B	29
1SFA611210R3102	M3SS1-31G	34	1SFA611213R2104	M3SS4-21L	35	1SFA611217R1007	M3SS8-10U	29
1SFA611210R3103	M3SS1-31Y	34	1SFA611213R2108	M3SS4-21C	35	1SFA611217R1101	M3SS8-11R	35
1SFA611210R3104	M3SS1-31L	34	1SFA611213R3006	M3SS4-30B	29	1SFA611217R1102	M3SS8-11G	35
1SFA611210R3108	M3SS1-31C	34	1SFA611213R3101	M3SS4-31R	35	1SFA611217R1103	M3SS8-11Y	35
1SFA611211R1001	M3SS2-10R	28	1SFA611213R3108	M3SS4-31C	35	1SFA611217R1104	M3SS8-11L	35
1SFA611211R1006	M3SS2-10B	28	1SFA611214R1001	M3SS5-10R	29	1SFA611217R1108	M3SS8-11C	35
1SFA611211R1007	M3SS2-10U	28	1SFA611214R1006	M3SS5-10B	29	1SFA611217R2006	M3SS8-20B	29
1SFA611211R1101	M3SS2-11R	34	1SFA611214R1007	M3SS5-10U	29	1SFA611217R2101	M3SS8-21R	35

Index

Order code classification

Order code	Type	Page	Order code	Type	Page	Order code	Type	Page
1SFA611217R2102	M3SS8-21G	35	1SFA611284R1002	M3SSK2-102	37	1SFA611511R1101	MPMP3-11R	23
1SFA611217R3006	M3SS8-30B	29	1SFA611284R1003	M3SSK2-103	37	1SFA611513R1001	MPMT4-10R	23
1SFA611217R3101	M3SS8-31R	35	1SFA611284R1004	M3SSK2-104	37	1SFA611513R1101	MPMT4-11R	23
1SFA611217R3102	M3SS8-31G	35	1SFA611284R3001	M3SSK2-301	37	1SFA611514R1001	MPMP4-10R	23
1SFA611220R1006	M2SSV1-10B	129	1SFA611285R1001	M3SSK3-101	37	1SFA611514R1101	MPMP4-11R	23
1SFA611221R1006	M2SSV2-10B	129	1SFA611285R1002	M3SSK3-102	37	1SFA611520R1001	MPET3-10R	23
1SFA611222R1006	M2SSV3-10B	129	1SFA611285R1003	M3SSK3-103	37	1SFA611520R1006	MPET3-10B	24
1SFA611230R1006	M3SSV1-10B	129	1SFA611285R1004	M3SSK3-104	37	1SFA611521R1001	MPEP3-10R	23
1SFA611231R1006	M3SSV2-10B	129	1SFA611285R3001	M3SSK3-301	37	1SFA611521R1006	MPEP3-10B	24
1SFA611232R1006	M3SSV3-10B	129	1SFA611285R3002	M3SSK3-302	37	1SFA611522R1101	MPEK3-11R	23
1SFA611250R1006	M3SSC1-10B	30	1SFA611285R3003	M3SSK3-303	37	1SFA611522R1106	MPEK3-11B	24
1SFA611250R3006	M3SSC1-30B	30	1SFA611286R1001	M3SSK4-101	37	1SFA611522R1201	MPEK3-12R	23
1SFA611251R1006	M3SSC2-10B	30	1SFA611286R1002	M3SSK4-102	37	1SFA611522R1301	MPEK3-13R	23
1SFA611251R3006	M3SSC2-30B	30	1SFA611286R3001	M3SSK4-301	37	1SFA611523R1001	MPET4-10R	23
1SFA611252R1006	M3SSC3-10B	30	1SFA611286R3002	M3SSK4-302	37	1SFA611523R1006	MPET4-10B	24
1SFA611252R3006	M3SSC3-30B	30	1SFA611287R1001	M3SSK5-101	37	1SFA611524R1001	MPEP4-10R	23
1SFA611256R1006	M3SSC7-10B	30	1SFA611287R1003	M3SSK5-103	37	1SFA611524R1006	MPEP4-10B	24
1SFA611256R3006	M3SSC7-30B	30	1SFA611287R3001	M3SSK5-301	37	1SFA611525R1101	MPEK4-11R	23
1SFA611280R1001	M2SSK1-101	36	1SFA611288R1001	M3SSK6-101	37	1SFA611525R1106	MPEK4-11B	24
1SFA611280R1002	M2SSK1-102	36	1SFA611289R1001	M2SSK4-101	36	1SFA611525R1201	MPEK4-12R	23
1SFA611280R1003	M2SSK1-103	36	1SFA611290R4001	M4SS1-10R	31	1SFA611525R1301	MPEK4-13R	23
1SFA611280R1004	M2SSK1-104	36	1SFA611290R4006	M4SS1-10B	31	1SFA611601R1100	MCBH5-00	44
1SFA611280R2001	M2SSK1-201	36	1SFA611290R6001	M4SS1-30R	31	1SFA611605R1100	MCBH-00	44
1SFA611280R3001	M2SSK1-301	36	1SFA611290R6006	M4SS1-30B	31	1SFA611610R1001	MCB-10	44
1SFA611280R3002	M2SSK1-302	36	1SFA611291R4001	M4SS2-10R	31	1SFA611610R1002	MCB-20	44
1SFA611280R3003	M2SSK1-303	36	1SFA611291R4006	M4SS2-10B	31	1SFA611610R1010	MCB-01	44
1SFA611280R3004	M2SSK1-304	36	1SFA611291R6001	M4SS2-30R	31	1SFA611610R1011	MCB-11	44
1SFA611281R1001	M2SSK2-101	36	1SFA611291R6006	M4SS2-30B	31	1SFA611610R1020	MCB-02	44
1SFA611281R1002	M2SSK2-102	36	1SFA611300R1006	MTS1-10B	42	1SFA611610R1101	MCB-10G	44
1SFA611281R1003	M2SSK2-103	36	1SFA611300R2006	MTS1-20B	42	1SFA611610R1102	MCB-20G	44
1SFA611281R1004	M2SSK2-104	36	1SFA611300R3006	MTS1-30B	42	1SFA611610R1110	MCB-01G	44
1SFA611281R2001	M2SSK2-201	36	1SFA611301R1006	MTS2-10B	42	1SFA611610R1111	MCB-11G	44
1SFA611281R2003	M2SSK2-203	36	1SFA611301R2006	MTS2-20B	42	1SFA611610R1120	MCB-02G	44
1SFA611281R3001	M2SSK2-301	36	1SFA611301R3006	MTS2-30B	42	1SFA611610R2001	MCB-10B	124
1SFA611281R3002	M2SSK2-302	36	1SFA611302R1006	MTS3-10B	42	1SFA611610R2002	MCB-20B	124
1SFA611281R3003	M2SSK2-303	36	1SFA611302R2006	MTS3-20B	42	1SFA611610R2010	MCB-01B	124
1SFA611281R3004	M2SSK2-304	36	1SFA611302R3006	MTS3-30B	42	1SFA611610R2011	MCB-11B	124
1SFA611282R1001	M2SSK3-101	36	1SFA611400R1001	ML1-100R	25	1SFA611610R2020	MCB-02B	124
1SFA611282R1002	M2SSK3-102	36	1SFA611400R1002	ML1-100G	25	1SFA611610R2101	MCB-10BG	124
1SFA611282R1003	M2SSK3-103	36	1SFA611400R1003	ML1-100Y	25	1SFA611610R2110	MCB-01BG	124
1SFA611282R1004	M2SSK3-104	36	1SFA611400R1004	ML1-100L	25	1SFA611612R1001	MCBL-01	44
1SFA611282R3001	M2SSK3-301	36	1SFA611400R1005	ML1-100W	25	1SFA611612R1010	MCBL-10	44
1SFA611282R3002	M2SSK3-302	36	1SFA611400R1008	ML1-100C	25	1SFA611621R1001	MLBL-00R	45
1SFA611282R3003	M2SSK3-303	36	1SFA611410R1006	MT-1B	38	1SFA611621R1002	MLBL-00G	45
1SFA611282R3004	M2SSK3-304	36	1SFA611410R1056	MT-105B	38	1SFA611621R1003	MLBL-00Y	45
1SFA611283R1001	M3SSK1-101	37	1SFA611410R1106	MT-110B	38	1SFA611621R1004	MLBL-00L	45
1SFA611283R1002	M3SSK1-102	37	1SFA611410R1506	MT-150B	38	1SFA611621R1005	MLBL-00W	45
1SFA611283R1003	M3SSK1-103	37	1SFA611410R2056	MT-205B	38	1SFA611621R1011	MLBL-01R	45
1SFA611283R1004	M3SSK1-104	37	1SFA611410R2106	MT-210B	38	1SFA611621R1012	MLBL-01G	45
1SFA611283R2001	M3SSK1-201	37	1SFA611410R2506	MT-250B	38	1SFA611621R1013	MLBL-01Y	45
1SFA611283R3001	M3SSK1-301	37	1SFA611410R3006	MT-3B	38	1SFA611621R1014	MLBL-01L	45
1SFA611283R3002	M3SSK1-302	37	1SFA611410R3056	MT-305B	38	1SFA611621R1015	MLBL-01W	45
1SFA611283R3003	M3SSK1-303	37	1SFA611410R3106	MT-310B	38	1SFA611621R1021	MLBL-02R	45
1SFA611283R3004	M3SSK1-304	37	1SFA611410R3506	MT-350B	38	1SFA611621R1022	MLBL-02G	45
1SFA611284R1001	M3SSK2-101	37	1SFA611510R1101	MPMT3-11R	23	1SFA611621R1023	MLBL-02Y	45

Index

Order code classification

Order code	Type	Page	Order code	Type	Page	Order code	Type	Page
1SFA611621R1024	MLBL-02L	45	1SFA611621R2024	MLBL-02BL	125	1SFA611707R4006	MJS7-40B	41
1SFA611621R1025	MLBL-02W	45	1SFA611621R2025	MLBL-02BW	125	1SFA611707R6006	MJS7-60B	41
1SFA611621R1031	MLBL-03R	45	1SFA611621R2031	MLBL-03BR	125	1SFA611708R4006	MJS8-40B	41
1SFA611621R1032	MLBL-03G	45	1SFA611621R2032	MLBL-03BG	125	1SFA611708R6006	MJS8-60B	41
1SFA611621R1033	MLBL-03Y	45	1SFA611621R2033	MLBL-03BY	125	1SFA611709R4006	MJS9-40B	41
1SFA611621R1034	MLBL-03L	45	1SFA611621R2034	MLBL-03BL	125	1SFA611709R6006	MJS9-60B	41
1SFA611621R1035	MLBL-03W	45	1SFA611621R2035	MLBL-03BW	125	1SFA611710R6006	MJS10-60B	41
1SFA611621R1041	MLBL-04R	45	1SFA611621R2041	MLBL-04BR	125	1SFA611711R4006	MJS11-40B	41
1SFA611621R1042	MLBL-04G	45	1SFA611621R2042	MLBL-04BG	125	1SFA611711R6006	MJS11-60B	41
1SFA611621R1043	MLBL-04Y	45	1SFA611621R2043	MLBL-04BY	125	1SFA611712R4006	MJS12-40B	41
1SFA611621R1044	MLBL-04L	45	1SFA611621R2044	MLBL-04BL	125	1SFA611712R6006	MJS12-60B	41
1SFA611621R1045	MLBL-04W	45	1SFA611621R2045	MLBL-04BW	125	1SFA611811R1000	MEP1-0	123
1SFA611621R1051	MLBL-05R	45	1SFA611621R2051	MLBL-05BR	125	1SFA611812R1000	MEP2-0	123
1SFA611621R1052	MLBL-05G	45	1SFA611621R2052	MLBL-05BG	125	1SFA611812R1001	MEP2-1001	130
1SFA611621R1053	MLBL-05Y	45	1SFA611621R2053	MLBL-05BY	125	1SFA611813R1000	MEP3-0	123
1SFA611621R1054	MLBL-05L	45	1SFA611621R2054	MLBL-05BL	125	1SFA611814R1000	MEP4-0	123
1SFA611621R1055	MLBL-05W	45	1SFA611621R2055	MLBL-05BW	125	1SFA611816R1000	MEP6-0	123
1SFA611621R1061	MLBL-06R	45	1SFA611621R2061	MLBL-06BR	125	1SFA611821R1000	MEPY1-0	123
1SFA611621R1062	MLBL-06G	45	1SFA611621R2062	MLBL-06BG	125	1SFA611821R1035	MEPY1-1035	130
1SFA611621R1063	MLBL-06Y	45	1SFA611621R2063	MLBL-06BY	125	1SFA611821R1040	MEPY1-1040	130
1SFA611621R1064	MLBL-06L	45	1SFA611621R2064	MLBL-06BL	125	1SFA611821R1041	MEPY1-1041	130
1SFA611621R1065	MLBL-06W	45	1SFA611621R2065	MLBL-06BW	125	1SFA611821R1042	MEPY1-1042	130
1SFA611621R1071	MLBL-07R	46	1SFA611621R2071	MLBL-07BR	126	1SFA611920H8150	MA1-8150	124
1SFA611621R1072	MLBL-07G	46	1SFA611621R2072	MLBL-07BG	126	1SFA611920R8001	MA1-8001	48
1SFA611621R1073	MLBL-07Y	46	1SFA611621R2073	MLBL-07BY	126	1SFA611920R8002	MA1-8002	47, 110
1SFA611621R1074	MLBL-07L	46	1SFA611621R2074	MLBL-07BL	126	1SFA611920R8015	MA1-8015	48, 111
1SFA611621R1075	MLBL-07W	46	1SFA611621R2075	MLBL-07BW	126	1SFA611920R8019	MA1-8019	48, 111
1SFA611621R1081	MLBL-08R	46	1SFA611621R2081	MLBL-08BR	126	1SFA611920R8052	MA1-8052	47, 110
1SFA611621R1082	MLBL-08G	46	1SFA611621R2082	MLBL-08BG	126	1SFA611920R8053	MA1-8053	47, 123
1SFA611621R1083	MLBL-08Y	46	1SFA611621R2083	MLBL-08BY	126	1SFA611920R8074	MA1-8074	47, 110
1SFA611621R1084	MLBL-08L	46	1SFA611621R2084	MLBL-08BL	126	1SFA611920R8126	MA1-8126	47
1SFA611621R1085	MLBL-08W	46	1SFA611621R2085	MLBL-08BW	126	1SFA611920R8128	MA1-8128	47, 123
1SFA611621R1091	MLBL-09R	46	1SFA611621R2091	MLBL-09BR	126	1SFA611920R8129	MA1-8129	124
1SFA611621R1092	MLBL-09G	46	1SFA611621R2092	MLBL-09BG	126	1SFA611920R8130	MA1-8130	124
1SFA611621R1093	MLBL-09Y	46	1SFA611621R2093	MLBL-09BY	126	1SFA611920R8131	MA1-8131	48
1SFA611621R1094	MLBL-09L	46	1SFA611621R2094	MLBL-09BL	126	1SFA611920R8136	MA1-8136	124
1SFA611621R1095	MLBL-09W	46	1SFA611621R2095	MLBL-09BW	126	1SFA611920R8137	MA1-8137	41
1SFA611621R1991	MLBL-99R	46	1SFA611621R3041	MLBL-04AR	45	1SFA611920R8138	MA1-8138	41
1SFA611621R1992	MLBL-99G	46	1SFA611621R3042	MLBL-04AG	45	1SFA611920R8139	MA1-8139	19–21
1SFA611621R1993	MLBL-99Y	46	1SFA611621R3043	MLBL-04AY	45	1SFA611920R8149	MA1-8149	48, 111
1SFA611621R1994	MLBL-99L	46	1SFA611621R3044	MLBL-04AL	45	1SFA611920R8152	MA1-8152	47, 110
1SFA611621R1995	MLBL-99W	46	1SFA611621R3045	MLBL-04AW	45	1SFA611920R8153	MA1-8153	47, 110
1SFA611621R2001	MLBL-00BR	125	1SFA611630R1002	MDB-2	48	1SFA611920R8160	MA1-8160	124
1SFA611621R2002	MLBL-00BG	125	1SFA611701R4006	MJS1-40B	41	1SFA611925R3001	MA5-3001	124
1SFA611621R2003	MLBL-00BY	125	1SFA611701R6006	MJS1-60B	41	1SFA611925R3002	MA5-3002	124
1SFA611621R2004	MLBL-00BL	125	1SFA611702R4006	MJS2-40B	41	1SFA611925R3003	MA5-3003	124
1SFA611621R2005	MLBL-00BW	125	1SFA611702R6006	MJS2-60B	41	1SFA611925R3004	MA5-3004	124
1SFA611621R2011	MLBL-01BR	125	1SFA611703R4006	MJS3-40B	41	1SFA611925R3006	MA5-3006	124
1SFA611621R2012	MLBL-01BG	125	1SFA611703R6006	MJS3-60B	41	1SFA611925R3007	MA5-3007	124
1SFA611621R2013	MLBL-01BY	125	1SFA611704R4006	MJS4-40B	41	1SFA611925R3008	MA5-3008	124
1SFA611621R2014	MLBL-01BL	125	1SFA611704R6006	MJS4-60B	41	1SFA611925R3009	MA5-3009	124
1SFA611621R2015	MLBL-01BW	125	1SFA611705R4006	MJS5-40B	41	1SFA611925R3010	MA5-3010	124
1SFA611621R2021	MLBL-02BR	125	1SFA611705R6006	MJS5-60B	41	1SFA611930R1000	MA6-1000	128
1SFA611621R2022	MLBL-02BG	125	1SFA611706R4006	MJS6-40B	41	1SFA611930R1002	MA6-1002	128
1SFA611621R2023	MLBL-02BY	125	1SFA611706R6006	MJS6-60B	41	1SFA611930R1003	MA6-1003	128

Index

Order code classification

Order code	Type	Page	Order code	Type	Page	Order code	Type	Page
1SFA611930R1004	MA6-1004	128	1SFA611930R1077	MA6-1077	135	1SFA616070R3058	KL70-305C	183
1SFA611930R1005	MA6-1005	128	1SFA611930R1079	MA6-1079	135	1SFA616070R3061	KL70-306R	183
1SFA611930R1006	MA6-1006	128	1SFA611930R1080	MA6-1080	135	1SFA616070R3062	KL70-306G	183
1SFA611930R1007	MA6-1007	128	1SFA611930R1082	MA6-1082	135	1SFA616070R3063	KL70-306Y	183
1SFA611930R1008	MA6-1008	128	1SFA611930R1083	MA6-1083	135	1SFA616070R3064	KL70-306L	183
1SFA611930R1009	MA6-1009	128	1SFA611930R1084	MA6-1084	135	1SFA616070R3068	KL70-306C	183
1SFA611930R1010	MA6-1010	136	1SFA611930R1085	MA6-1085	135	1SFA616070R3071	KL70-307R	183
1SFA611930R1011	MA6-1011	136	1SFA611930R1086	MA6-1086	135	1SFA616070R3072	KL70-307G	183
1SFA611930R1012	MA6-1012	128	1SFA611930R1087	MA6-1087	135	1SFA616070R3073	KL70-307Y	183
1SFA611930R1013	MA6-1013	128	1SFA611930R1100	MA6-1100	128	1SFA616070R3074	KL70-307L	183
1SFA611930R1014	MA6-1014	128	1SFA611930R1101	MA6-1101	128	1SFA616070R3078	KL70-307C	183
1SFA611930R1015	MA6-1015	128	1SFA611930R1102	MA6-1102	128	1SFA616070R3421	KL70-342R	183
1SFA611930R1016	MA6-1016	128	1SFA611930R1103	MA6-1103	128	1SFA616070R3422	KL70-342G	183
1SFA611930R1017	MA6-1017	136	1SFA611930R1104	MA6-1104	128	1SFA616070R3423	KL70-342Y	183
1SFA611930R1018	MA6-1018	136	1SFA611930R1118	MA6-1118	135	1SFA616070R3424	KL70-342L	183
1SFA611930R1019	MA6-1019	136	1SFA611930R1130	MA6-1130	127	1SFA616070R3428	KL70-342C	183
1SFA611930R1020	MA6-1020	136	1SFA611930R1131	MA6-1131	127	1SFA616070R3521	KL70-352R	183
1SFA611930R1021	MA6-1021	136	1SFA611930R1132	MA6-1132	127	1SFA616070R3522	KL70-352G	183
1SFA611930R1022	MA6-1022	136	1SFA611930R1133	MA6-1133	127	1SFA616070R3523	KL70-352Y	183
1SFA611930R1023	MA6-1023	136	1SFA611930R1134	MA6-1134	127	1SFA616070R3524	KL70-352L	183
1SFA611930R1024	MA6-1024	128	1SFA611930R1135	MA6-1135	127	1SFA616070R3528	KL70-352C	183
1SFA611930R1025	MA6-1025	128	1SFA611930R1136	MA6-1136	127	1SFA616070R4011	KL70-401R	183
1SFA611930R1026	MA6-1026	128	1SFA611930R1137	MA6-1137	127	1SFA616070R4012	KL70-401G	183
1SFA611930R1027	MA6-1027	128	1SFA611930R1138	MA6-1138	127	1SFA616070R4013	KL70-401Y	183
1SFA611930R1028	MA6-1028	128	1SFA611930R1139	MA6-1139	127	1SFA616070R4014	KL70-401L	183
1SFA611930R1029	MA6-1029	128	1SFA611930R1140	MA6-1140	127	1SFA616070R4018	KL70-401C	183
1SFA611930R1032	MA6-1032	135	1SFA611930R1141	MA6-1141	127	1SFA616071R1201	KB70-1201	184
1SFA611930R1033	MA6-1033	135	1SFA611930R1152	MA6-1152	127	1SFA616071R3001	KB70-3001	184
1SFA611930R1034	MA6-1034	135	1SFA611930R1153	MA6-1153	127	1SFA616071R3101	KB70-3101	184
1SFA611930R1035	MA6-1035	135	1SFA611930R1170	MA6-1170	127	1SFA616073R1104	KS70-1104	184
1SFA611930R1036	MA6-1036	135	1SFA611930R1171	MA6-1171	127	1SFA616073R1204	KS70-1204	184
1SFA611930R1037	MA6-1037	135	1SFA611930R1172	MA6-1172	127	1SFA616073R2002	KS70-2002	184
1SFA611930R1038	MA6-1038	135	1SFA611930R1173	MA6-1173	127	1SFA616073R2004	KS70-2004	184
1SFA611930R1039	MA6-1039	135	1SFA611930R1174	MA6-1174	127	1SFA616073R3004	KS70-3004	184
1SFA611930R1040	MA6-1040	135	1SFA611930R1175	MA6-1175	127	1SFA616075R1001	KT70-1001	185
1SFA611930R1041	MA6-1041	135	1SFA611930R1176	MA6-1176	127	1SFA616075R1002	KT70-1002	185
1SFA611930R1042	MA6-1042	135	1SFA611930R1177	MA6-1177	127	1SFA616077R1001	KA70-1001	185
1SFA611930R1043	MA6-1043	135	1SFA611930R1178	MA6-1178	127	1SFA616077R1002	KA70-1002	185
1SFA611930R1044	MA6-1044	135	1SFA611930R1179	MA6-1179	127	1SFA616077R1011	KA70-1011	185
1SFA611930R1045	MA6-1045	135	1SFA611930R1190	MA6-1190	127	1SFA616077R1012	KA70-1012	185
1SFA611930R1047	MA6-1047	135	1SFA611930R1191	MA6-1191	127	1SFA616077R1013	KA70-1013	185
1SFA611930R1054	MA6-1054	135	1SFA611930R1192	MA6-1192	127	1SFA616077R1021	KA70-1021	185
1SFA611930R1058	MA6-1058	135	1SFA611930R1193	MA6-1193	127	1SFA616077R1022	KA70-1022	185
1SFA611930R1060	MA6-1060	127	1SFA611930R1194	MA6-1194	127	1SFA616077R1023	KA70-1023	185
1SFA611930R1061	MA6-1061	127	1SFA611930R1210	MA6-1210	135	1SFA616077R1031	KA70-1031	185
1SFA611930R1062	MA6-1062	127	1SFA611930R1240	MA6-1240	41	1SFA616077R1032	KA70-1032	185
1SFA611930R1063	MA6-1063	127	1SFA611930R1241	MA6-1241	41	1SFA616077R1033	KA70-1033	185
1SFA611930R1064	MA6-1064	127	1SFA611930R1242	MA6-1242	41	1SFA616077R1034	KA70-1034	185
1SFA611930R1065	MA6-1065	127	1SFA611930R1252	MA6-1252	38	1SFA616080R1131	KSB-113R	186
1SFA611930R1070	MA6-1070	135	1SFA611940R1000	MA16-1000	137	1SFA616080R1132	KSB-113G	186
1SFA611930R1071	MA6-1071	135	1SFA611940R1001	MA16-1001	137	1SFA616080R1133	KSB-113Y	186
1SFA611930R1073	MA6-1073	135	1SFA616070R3051	KL70-305R	183	1SFA616080R1134	KSB-113L	186
1SFA611930R1074	MA6-1074	135	1SFA616070R3052	KL70-305G	183	1SFA616080R1138	KSB-113C	186
1SFA611930R1075	MA6-1075	135	1SFA616070R3053	KL70-305Y	183	1SFA616080R1151	KSB-115R	186
1SFA611930R1076	MA6-1076	135	1SFA616070R3054	KL70-305L	183	1SFA616080R1152	KSB-115G	186

Index

Order code classification

Order code	Type	Page
1SFA616080R1153	KSB-115Y	186
1SFA616080R1231	KSB-123R	186
1SFA616080R1232	KSB-123G	186
1SFA616080R1233	KSB-123Y	186
1SFA616080R1234	KSB-123L	186
1SFA616080R1238	KSB-123C	186
1SFA616080R2031	KSB-203R	186
1SFA616080R2032	KSB-203G	186
1SFA616080R2033	KSB-203Y	186
1SFA616080R2034	KSB-203L	186
1SFA616080R2038	KSB-203C	186
1SFA616080R3051	KSB-305R	186
1SFA616080R3052	KSB-305G	186
1SFA616080R3053	KSB-305Y	186
1SFA616080R3061	KSB-306R	186
1SFA616080R3062	KSB-306G	186
1SFA616080R3063	KSB-306Y	186
1SFA616080R3071	KSB-307R	186
1SFA616080R3072	KSB-307G	186
1SFA616080R3073	KSB-307Y	186
1SFA616080R4011	KSB-401R	186
1SFA616080R4012	KSB-401G	186
1SFA616080R4013	KSB-401Y	186
1SFA616080R4014	KSB-401L	186
1SFA616080R4018	KSB-401C	186
1SFA616087R1000	KASB-1000	186
1SFA616105R4001	KP6-40R	25
1SFA616105R4002	KP6-40G	25
1SFA616105R4006	KP6-40B	25
1SFA616160R1001	KPR1-100R	39
1SFA616160R1002	KPR1-100G	39
1SFA616160R1003	KPR1-100Y	39
1SFA616160R1004	KPR1-100L	39
1SFA616160R1005	KPR1-100W	39
1SFA616160R1006	KPR1-100B	39
1SFA616160R1014	KPR1-101L	39
1SFA616160R1015	KPR1-101W	39
1SFA616160R1022	KPR1-102G	39
1SFA616160R1025	KPR1-102W	39
1SFA616160R1035	KPR1-103W	39
1SFA616160R1046	KPR1-104B	39
1SFA616161R1001	KPR2-100R	39
1SFA616161R1006	KPR2-100B	39
1SFA616161R1051	KPR2-105R	39
1SFA616162R1001	KPR3-100R	40
1SFA616162R1002	KPR3-100G	40
1SFA616162R1003	KPR3-100Y	40
1SFA616162R1004	KPR3-100L	40
1SFA616162R1005	KPR3-100W	40
1SFA616162R1006	KPR3-100B	40
1SFA616162R1014	KPR3-101L	40
1SFA616162R1015	KPR3-101W	40
1SFA616162R1032	KPR3-103G	40
1SFA616162R1046	KPR3-104B	40
1SFA616163R1001	KPR4-100R	40

Order code	Type	Page
1SFA616163R1006	KPR4-100B	40
1SFA616163R1051	KPR4-105R	40
1SFA616163R1056	KPR4-105B	40
1SFA616901R1019	KTC1-1019	138
1SFA616901R1020	KTC1-1020	138
1SFA616901R1025	KTC1-1025	138
1SFA616901R1031	KTC1-1031	138
1SFA616901R1039	KTC1-1039	138
1SFA616901R9000	KTC1-9000	138
1SFA616901R9002	KTC1-9002	138
1SFA616901R9003	KTC1-9003	138
1SFA616901R9004	KTC1-9004	138
1SFA616901R9005	KTC1-9005	138
1SFA616901R9006	KTC1-9006	138
1SFA616901R9009	KTC1-9009	138
1SFA616901R9016	KTC1-9016	138
1SFA616901R9020	KTC1-9020	138
1SFA616901R9026	KTC1-9026	138
1SFA616901R9028	KTC1-9028	138
1SFA616902R1020	KTC2-1020	138
1SFA616902R1025	KTC2-1025	138
1SFA616902R1031	KTC2-1031	138
1SFA616902R9000	KTC2-9000	138
1SFA616902R9002	KTC2-9002	138
1SFA616902R9003	KTC2-9003	138
1SFA616902R9005	KTC2-9005	138
1SFA616902R9006	KTC2-9006	138
1SFA616902R9015	KTC2-9015	138
1SFA616902R9016	KTC2-9016	138
1SFA616902R9028	KTC2-9028	138
1SFA616903R1019	KTC3-1019	138
1SFA616903R1020	KTC3-1020	138
1SFA616903R1039	KTC3-1039	138
1SFA616903R9000	KTC3-9000	138
1SFA616903R9002	KTC3-9002	138
1SFA616904R1047	KTC4-1047	138
1SFA616904R9004	KTC4-9004	138
1SFA616905R1040	KTC5-1040	138
1SFA616905R1047	KTC5-1047	138
1SFA616905R9004	KTC5-9004	138
1SFA616906R1039	KTC6-1039	138
1SFA616906R1042	KTC6-1042	138
1SFA616906R9002	KTC6-9002	138
1SFA616908R1039	KTC8-1039	138
1SFA616908R9002	KTC8-9002	138
1SFA616908R9003	KTC8-9003	138
1SFA616908R9004	KTC8-9004	138
1SFA616908R9005	KTC8-9005	138
1SFA616908R9011	KTC8-9011	138
1SFA616908R9012	KTC8-9012	138
1SFA616908R9015	KTC8-9015	138
1SFA616908R9016	KTC8-9016	138
1SFA616908R9018	KTC8-9018	138
1SFA616908R9026	KTC8-9026	138
1SFA616915R1005	KTC15-1005	136

Order code	Type	Page
1SFA616915R1038	KTC15-1038	136
1SFA616915R6005	KTC15-6005	136
1SFA616920R8005	KA1-8005	25
1SFA616920R8010	KA1-8010	47, 110
1SFA616920R8020	KA1-8020	47, 110
1SFA616920R8021	KA1-8021	47, 110
1SFA616920R8022	KA1-8022	47, 110
1SFA616920R8024	KA1-8024	47
1SFA616920R8027	KA1-8027	47, 110
1SFA616920R8028	KA1-8028	47, 110
1SFA616920R8029	KA1-8029	47, 110
1SFA616920R8045	KA1-8045	124
1SFA616920R8046	KA1-8046	39
1SFA616920R8047	KA1-8047	39
1SFA616920R8072	KA1-8072	110
1SFA616920R8073	KA1-8073	47, 110
1SFA616920R8080	KA1-8080	47
1SFA616920R8120	KA1-8120	135
1SFA616920R8121	KA1-8121	135
1SFA616922R1018	KA3-1018	186
1SFA616922R1028	KA3-1028	186
1SFA616922R1118	KA3-1118	186
1SFA616922R1148	KA3-1148	186
1SFA616923R1028	KA4-1028	184
1SFA616923R1118	KA4-1118	184
1SFA616923R1148	KA4-1148	184
1SFA616924R1021	KA4-1021	184
1SFA616924R1022	KA4-1022	184
1SFA616924R1023	KA4-1023	184
1SFA616924R1024	KA4-1024	184
1SFA616924R1025	KA4-1025	184
1SFA619100R1011	CP1-10R-10	91
1SFA619100R1012	CP1-10G-10	91
1SFA619100R1013	CP1-10Y-10	91
1SFA619100R1014	CP1-10L-10	91
1SFA619100R1015	CP1-10W-10	91
1SFA619100R1016	CP1-10B-10	91
1SFA619100R1021	CP1-10R-20	91
1SFA619100R1022	CP1-10G-20	91
1SFA619100R1023	CP1-10Y-20	91
1SFA619100R1024	CP1-10L-20	91
1SFA619100R1025	CP1-10W-20	91
1SFA619100R1026	CP1-10B-20	91
1SFA619100R1041	CP1-10R-01	91
1SFA619100R1046	CP1-10B-01	91
1SFA619100R1051	CP1-10R-02	91
1SFA619100R1056	CP1-10B-02	91
1SFA619100R1071	CP1-10R-11	91
1SFA619100R1072	CP1-10G-11	91
1SFA619100R1073	CP1-10Y-11	91
1SFA619100R1074	CP1-10L-11	91
1SFA619100R1075	CP1-10W-11	91
1SFA619100R1076	CP1-10B-11	91
1SFA619100R1111	CP1-11R-10	95
1SFA619100R1112	CP1-11G-10	95

Index

Order code classification

Order code	Type	Page	Order code	Type	Page	Order code	Type	Page
1SFA619100R1113	CP1-11Y-10	95	1SFA619101R1025	CP2-10W-20	92	1SFA619102R1022	CP3-10G-20	93
1SFA619100R1114	CP1-11L-10	95	1SFA619101R1026	CP2-10B-20	92	1SFA619102R1023	CP3-10Y-20	93
1SFA619100R1118	CP1-11C-10	95	1SFA619101R1041	CP2-10R-01	92	1SFA619102R1024	CP3-10L-20	93
1SFA619100R1141	CP1-11R-01	95	1SFA619101R1046	CP2-10B-01	92	1SFA619102R1025	CP3-10W-20	93
1SFA619100R1211	CP1-12R-10	95	1SFA619101R1051	CP2-10R-02	92	1SFA619102R1026	CP3-10B-20	93
1SFA619100R1212	CP1-12G-10	95	1SFA619101R1056	CP2-10B-02	92	1SFA619102R1041	CP3-10R-01	93
1SFA619100R1213	CP1-12Y-10	95	1SFA619101R1071	CP2-10R-11	92	1SFA619102R1046	CP3-10B-01	93
1SFA619100R1214	CP1-12L-10	95	1SFA619101R1072	CP2-10G-11	92	1SFA619102R1051	CP3-10R-02	93
1SFA619100R1218	CP1-12C-10	95	1SFA619101R1073	CP2-10Y-11	92	1SFA619102R1056	CP3-10B-02	93
1SFA619100R1241	CP1-12R-01	95	1SFA619101R1074	CP2-10L-11	92	1SFA619102R1071	CP3-10R-11	93
1SFA619100R1311	CP1-13R-10	95	1SFA619101R1075	CP2-10W-11	92	1SFA619102R1072	CP3-10G-11	93
1SFA619100R1312	CP1-13G-10	95	1SFA619101R1076	CP2-10B-11	92	1SFA619102R1073	CP3-10Y-11	93
1SFA619100R1313	CP1-13Y-10	95	1SFA619101R1111	CP2-11R-10	96	1SFA619102R1074	CP3-10L-11	93
1SFA619100R1314	CP1-13L-10	95	1SFA619101R1112	CP2-11G-10	96	1SFA619102R1075	CP3-10W-11	93
1SFA619100R1318	CP1-13C-10	95	1SFA619101R1113	CP2-11Y-10	96	1SFA619102R1076	CP3-10B-11	93
1SFA619100R1341	CP1-13R-01	95	1SFA619101R1114	CP2-11L-10	96	1SFA619102R1111	CP3-11R-10	97
1SFA619100R3011	CP1-30R-10	91	1SFA619101R1118	CP2-11C-10	96	1SFA619102R1112	CP3-11G-10	97
1SFA619100R3012	CP1-30G-10	91	1SFA619101R1141	CP2-11R-01	96	1SFA619102R1113	CP3-11Y-10	97
1SFA619100R3013	CP1-30Y-10	91	1SFA619101R1211	CP2-12R-10	96	1SFA619102R1114	CP3-11L-10	97
1SFA619100R3014	CP1-30L-10	91	1SFA619101R1212	CP2-12G-10	96	1SFA619102R1118	CP3-11C-10	97
1SFA619100R3015	CP1-30W-10	91	1SFA619101R1213	CP2-12Y-10	96	1SFA619102R1141	CP3-11R-01	97
1SFA619100R3016	CP1-30B-10	91	1SFA619101R1214	CP2-12L-10	96	1SFA619102R1211	CP3-12R-10	97
1SFA619100R3021	CP1-30R-20	91	1SFA619101R1218	CP2-12C-10	96	1SFA619102R1212	CP3-12G-10	97
1SFA619100R3022	CP1-30G-20	91	1SFA619101R1241	CP2-12R-01	96	1SFA619102R1213	CP3-12Y-10	97
1SFA619100R3023	CP1-30Y-20	91	1SFA619101R1311	CP2-13R-10	96	1SFA619102R1214	CP3-12L-10	97
1SFA619100R3024	CP1-30L-20	91	1SFA619101R1312	CP2-13G-10	96	1SFA619102R1218	CP3-12C-10	97
1SFA619100R3025	CP1-30W-20	91	1SFA619101R1313	CP2-13Y-10	96	1SFA619102R1241	CP3-12R-01	97
1SFA619100R3026	CP1-30B-20	91	1SFA619101R1314	CP2-13L-10	96	1SFA619102R1311	CP3-13R-10	97
1SFA619100R3041	CP1-30R-01	91	1SFA619101R1318	CP2-13C-10	96	1SFA619102R1312	CP3-13G-10	97
1SFA619100R3046	CP1-30B-01	91	1SFA619101R1341	CP2-13R-01	96	1SFA619102R1313	CP3-13Y-10	97
1SFA619100R3051	CP1-30R-02	91	1SFA619101R3011	CP2-30R-10	92	1SFA619102R1314	CP3-13L-10	97
1SFA619100R3056	CP1-30B-02	91	1SFA619101R3012	CP2-30G-10	92	1SFA619102R1318	CP3-13C-10	97
1SFA619100R3071	CP1-30R-11	91	1SFA619101R3014	CP2-30L-10	92	1SFA619102R1341	CP3-13R-01	97
1SFA619100R3072	CP1-30G-11	91	1SFA619101R3015	CP2-30W-10	92	1SFA619102R3012	CP3-30G-10	93
1SFA619100R3073	CP1-30Y-11	91	1SFA619101R3016	CP2-30B-10	92	1SFA619102R3015	CP3-30W-10	93
1SFA619100R3074	CP1-30L-11	91	1SFA619101R3021	CP2-30R-20	92	1SFA619102R3016	CP3-30B-10	93
1SFA619100R3075	CP1-30W-11	91	1SFA619101R3022	CP2-30G-20	92	1SFA619102R3021	CP3-30R-20	93
1SFA619100R3076	CP1-30B-11	91	1SFA619101R3023	CP2-30Y-20	92	1SFA619102R3022	CP3-30G-20	93
1SFA619100R3111	CP1-31R-10	95	1SFA619101R3024	CP2-30L-20	92	1SFA619102R3023	CP3-30Y-20	93
1SFA619100R3112	CP1-31G-10	95	1SFA619101R3025	CP2-30W-20	92	1SFA619102R3024	CP3-30L-20	93
1SFA619100R3113	CP1-31Y-10	95	1SFA619101R3026	CP2-30B-20	92	1SFA619102R3025	CP3-30W-20	93
1SFA619100R3114	CP1-31L-10	95	1SFA619101R3041	CP2-30R-01	92	1SFA619102R3026	CP3-30B-20	93
1SFA619100R3118	CP1-31C-10	95	1SFA619101R3046	CP2-30B-01	92	1SFA619102R3041	CP3-30R-01	93
1SFA619100R3141	CP1-31R-01	95	1SFA619101R3051	CP2-30R-02	92	1SFA619102R3046	CP3-30B-01	93
1SFA619100R3144	CP1-31L-01	95	1SFA619101R3071	CP2-30R-11	92	1SFA619102R3071	CP3-30R-11	93
1SFA619101R1011	CP2-10R-10	92	1SFA619101R3072	CP2-30G-11	92	1SFA619102R3072	CP3-30G-11	93
1SFA619101R1012	CP2-10G-10	92	1SFA619101R3073	CP2-30Y-11	92	1SFA619102R3075	CP3-30W-11	93
1SFA619101R1013	CP2-10Y-10	92	1SFA619101R3076	CP2-30B-11	92	1SFA619102R3076	CP3-30B-11	93
1SFA619101R1014	CP2-10L-10	92	1SFA619102R1011	CP3-10R-10	93	1SFA619103R1011	CP4-10R-10	94
1SFA619101R1015	CP2-10W-10	92	1SFA619102R1012	CP3-10G-10	93	1SFA619103R1012	CP4-10G-10	94
1SFA619101R1016	CP2-10B-10	92	1SFA619102R1013	CP3-10Y-10	93	1SFA619103R1013	CP4-10Y-10	94
1SFA619101R1021	CP2-10R-20	92	1SFA619102R1014	CP3-10L-10	93	1SFA619103R1014	CP4-10L-10	94
1SFA619101R1022	CP2-10G-20	92	1SFA619102R1015	CP3-10W-10	93	1SFA619103R1015	CP4-10W-10	94
1SFA619101R1023	CP2-10Y-20	92	1SFA619102R1016	CP3-10B-10	93	1SFA619103R1016	CP4-10B-10	94
1SFA619101R1024	CP2-10L-20	92	1SFA619102R1021	CP3-10R-20	93	1SFA619103R1021	CP4-10R-20	94

Index

Order code classification

Order code	Type	Page	Order code	Type	Page	Order code	Type	Page
1SFA619103R1022	CP4-10G-20	94	1SFA619201R1046	C2SS2-10B-01	107	1SFA619403R5068	CL2-506C	103
1SFA619103R1026	CP4-10B-20	94	1SFA619201R1076	C2SS2-10B-11	107	1SFA619403R5071	CL2-507R	103
1SFA619103R1041	CP4-10R-01	94	1SFA619201R3016	C2SS2-30B-10	107	1SFA619403R5072	CL2-507G	103
1SFA619103R1051	CP4-10R-02	94	1SFA619201R3026	C2SS2-30B-20	107	1SFA619403R5073	CL2-507Y	103
1SFA619103R1056	CP4-10B-02	94	1SFA619201R3046	C2SS2-30B-01	107	1SFA619403R5074	CL2-507L	103
1SFA619103R1071	CP4-10R-11	94	1SFA619201R3076	C2SS2-30B-11	107	1SFA619403R5078	CL2-507C	103
1SFA619103R1072	CP4-10G-11	94	1SFA619202R1016	C2SS3-10B-10	107	1SFA619403R5131	CL2-513R	103
1SFA619103R1073	CP4-10Y-11	94	1SFA619202R1026	C2SS3-10B-20	107	1SFA619403R5132	CL2-513G	103
1SFA619103R1074	CP4-10L-11	94	1SFA619202R1046	C2SS3-10B-01	107	1SFA619403R5133	CL2-513Y	103
1SFA619103R1075	CP4-10W-11	94	1SFA619202R1076	C2SS3-10B-11	107	1SFA619403R5134	CL2-513L	103
1SFA619103R1076	CP4-10B-11	94	1SFA619202R3016	C2SS3-30B-10	107	1SFA619403R5138	CL2-513C	103
1SFA619103R1111	CP4-11R-10	98	1SFA619202R3026	C2SS3-30B-20	107	1SFA619403R5151	CL2-515R	103
1SFA619103R1112	CP4-11G-10	98	1SFA619202R3076	C2SS3-30B-11	107	1SFA619403R5152	CL2-515G	103
1SFA619103R1113	CP4-11Y-10	98	1SFA619204R3016	C2SS5-30B-10	107	1SFA619403R5153	CL2-515Y	103
1SFA619103R1114	CP4-11L-10	98	1SFA619204R3076	C2SS5-30B-11	107	1SFA619403R5154	CL2-515L	103
1SFA619103R1118	CP4-11C-10	98	1SFA619210R1026	C3SS1-10B-20	108	1SFA619403R5158	CL2-515C	103
1SFA619103R1141	CP4-11R-01	98	1SFA619210R1076	C3SS1-10B-11	108	1SFA619403R5201	CL2-520R	104
1SFA619103R1211	CP4-12R-10	98	1SFA619210R3026	C3SS1-30B-20	108	1SFA619403R5202	CL2-520G	104
1SFA619103R1212	CP4-12G-10	98	1SFA619210R3076	C3SS1-30B-11	108	1SFA619403R5203	CL2-520Y	104
1SFA619103R1213	CP4-12Y-10	98	1SFA619211R1026	C3SS2-10B-20	108	1SFA619403R5204	CL2-520L	104
1SFA619103R1214	CP4-12L-10	98	1SFA619211R1076	C3SS2-10B-11	108	1SFA619403R5208	CL2-520C	104
1SFA619103R1218	CP4-12C-10	98	1SFA619211R3026	C3SS2-30B-20	108	1SFA619403R5231	CL2-523R	104
1SFA619103R1241	CP4-12R-01	98	1SFA619211R3076	C3SS2-30B-11	108	1SFA619403R5232	CL2-523G	104
1SFA619103R1311	CP4-13R-10	98	1SFA619212R1026	C3SS3-10B-20	108	1SFA619403R5233	CL2-523Y	104
1SFA619103R1312	CP4-13G-10	98	1SFA619212R1076	C3SS3-10B-11	108	1SFA619403R5234	CL2-523L	104
1SFA619103R1313	CP4-13Y-10	98	1SFA619212R3026	C3SS3-30B-20	108	1SFA619403R5238	CL2-523C	104
1SFA619103R1314	CP4-13L-10	98	1SFA619212R3076	C3SS3-30B-11	108	1SFA619403R5421	CL2-542R	104
1SFA619103R1318	CP4-13C-10	98	1SFA619213R1026	C3SS4-10B-20	108	1SFA619403R5422	CL2-542G	104
1SFA619103R1341	CP4-13R-01	98	1SFA619213R1076	C3SS4-10B-11	108	1SFA619403R5423	CL2-542Y	104
1SFA619103R3012	CP4-30G-10	94	1SFA619214R1026	C3SS5-10B-20	108	1SFA619403R5424	CL2-542L	104
1SFA619103R3022	CP4-30G-20	94	1SFA619214R1076	C3SS5-10B-11	108	1SFA619403R5428	CL2-542C	104
1SFA619103R3071	CP4-30R-11	94	1SFA619214R3026	C3SS5-30B-20	108	1SFA619403R6231	CL2-623R	104
1SFA619105R1021	CP6-10R-20	102	1SFA619216R1026	C3SS7-10B-20	108	1SFA619403R6232	CL2-623G	104
1SFA619105R1022	CP6-10G-20	102	1SFA619216R1076	C3SS7-10B-11	108	1SFA619403R6233	CL2-623Y	104
1SFA619105R1026	CP6-10B-20	102	1SFA619216R3026	C3SS7-30B-20	108	1SFA619403R6234	CL2-623L	104
1SFA619105R1051	CP6-10R-02	102	1SFA619402R1001	CL-100R	105	1SFA619403R6238	CL2-623C	104
1SFA619105R1056	CP6-10B-02	102	1SFA619402R1002	CL-100G	105	1SFA619500R1041	CE3T-10R-01	100
1SFA619105R1071	CP6-10R-11	102	1SFA619402R1003	CL-100Y	105	1SFA619500R1046	CE3T-10B-01	101
1SFA619105R1072	CP6-10G-11	102	1SFA619402R1004	CL-100L	105	1SFA619500R1051	CE3T-10R-02	100
1SFA619105R1076	CP6-10B-11	102	1SFA619402R1005	CL-100W	105	1SFA619500R1071	CE3T-10R-11	100
1SFA619126R1071	CPM3-10R-11	99	1SFA619402R1008	CL-100C	105	1SFA619500R1076	CE3T-10B-11	101
1SFA619126R1072	CPM3-10G-11	99	1SFA619403R5011	CL2-501R	103	1SFA619501R1041	CE3P-10R-01	100
1SFA619126R1073	CPM3-10Y-11	99	1SFA619403R5012	CL2-501G	103	1SFA619501R1051	CE3P-10R-02	100
1SFA619126R1074	CPM3-10L-11	99	1SFA619403R5013	CL2-501Y	103	1SFA619501R1071	CE3P-10R-11	100
1SFA619126R1076	CPM3-10B-11	99	1SFA619403R5014	CL2-501L	103	1SFA619501R1076	CE3P-10B-11	101
1SFA619200R1016	C2SS1-10B-10	107	1SFA619403R5018	CL2-501C	103	1SFA619502R1041	CE3K1-10R-01	100
1SFA619200R1026	C2SS1-10B-20	107	1SFA619403R5021	CL2-502R	103	1SFA619502R1051	CE3K1-10R-02	100
1SFA619200R1046	C2SS1-10B-01	107	1SFA619403R5022	CL2-502G	103	1SFA619502R1071	CE3K1-10R-11	100
1SFA619200R1076	C2SS1-10B-11	107	1SFA619403R5023	CL2-502Y	103	1SFA619502R1076	CE3K1-10B-11	101
1SFA619200R3016	C2SS1-30B-10	107	1SFA619403R5024	CL2-502L	103	1SFA619550R1016	CE4T-10B-10	101
1SFA619200R3026	C2SS1-30B-20	107	1SFA619403R5028	CL2-502C	103	1SFA619550R1026	CE4T-10B-20	101
1SFA619200R3046	C2SS1-30B-01	107	1SFA619403R5061	CL2-506R	103	1SFA619550R1041	CE4T-10R-01	100
1SFA619200R3076	C2SS1-30B-11	107	1SFA619403R5062	CL2-506G	103	1SFA619550R1046	CE4T-10B-01	101
1SFA619201R1016	C2SS2-10B-10	107	1SFA619403R5063	CL2-506Y	103	1SFA619550R1051	CE4T-10R-02	100
1SFA619201R1026	C2SS2-10B-20	107	1SFA619403R5064	CL2-506L	103	1SFA619550R1056	CE4T-10B-02	101

Index

Order code classification

Order code	Type	Page	Order code	Type	Page	Order code	Type	Page
1SFA619550R1071	CE4T-10R-11	100	1SQA009083R0001	A3L4AA-6L4C	155	1SQA009143R0001	A3PB61-600G-10	149
1SFA619550R1076	CE4T-10B-11	101	1SQA009084R0001	A3L4AA-6L4G	155	1SQA009145R0001	A3PB61-600R-00	149
1SFA619551R1041	CE4P-10R-01	100	1SQA009085R0001	A3L4AA-6L4L	155	1SQA009146R0001	A3PB61-600R-01	149
1SFA619551R1051	CE4P-10R-02	100	1SQA009086R0001	A3L4AA-6L4M	155	1SQA009147R0001	A3PB61-600R-10	149
1SFA619551R1071	CE4P-10R-11	100	1SQA009087R0001	A3L4AA-6L4R	155	1SQA009149R0001	A3PB61-600Y-00	149
1SFA619551R1076	CE4P-10B-11	101	1SQA009088R0001	A3L4AA-6L4W	155	1SQA009150R0001	A3PB61-600Y-01	149
1SFA619552R1041	CE4K1-10R-01	100	1SQA009089R0001	A3L4AA-6L5C	156	1SQA009152R0001	A3PBE1-600T-00	143
1SFA619552R1051	CE4K1-10R-02	100	1SQA009090R0001	A3L4AA-6L5G	156	1SQA009153R0001	A3PBE1-600T-01	143
1SFA619552R1071	CE4K1-10R-11	100	1SQA009091R0001	A3L4AA-6L5L	156	1SQA009154R0001	A3PBE1-600T-10	143
1SFA619552R1076	CE4K1-10B-11	101	1SQA009092R0001	A3L4AA-6L5M	156	1SQA009156R0001	A3PBE1-600B-00	143
1SFA619600R6002	CB1-600G	109	1SQA009093R0001	A3L4AA-6L5R	156	1SQA009157R0001	A3PBE1-600B-01	143
1SFA619600R6012	CB1-601G	109	1SQA009094R0001	A3L4AA-6L5W	156	1SQA009158R0001	A3PBE1-600B-10	143
1SFA619600R6022	CB1-602G	109	1SQA009095R0001	A3L4AA-6L6C	156	1SQA009160R0001	A3PBE1-600G-00	143
1SFA619600R6032	CB1-603G	109	1SQA009096R0001	A3L4AA-6L6G	156	1SQA009161R0001	A3PBE1-600G-01	143
1SFA619600R6101	CB1-610R	109	1SQA009097R0001	A3L4AA-6L6L	156	1SQA009162R0001	A3PBE1-600G-10	143
1SFA619600R6103	CB1-610Y	109	1SQA009098R0001	A3L4AA-6L6M	156	1SQA009164R0001	A3PBE1-600R-00	143
1SFA619600R6111	CB1-611R	109	1SQA009099R0001	A3L4AA-6L6R	156	1SQA009165R0001	A3PBE1-600R-01	143
1SFA619600R6113	CB1-611Y	109	1SQA009100R0001	A3L4AA-6L6W	156	1SQA009166R0001	A3PBE1-600R-10	143
1SFA619600R6121	CB1-612R	109	1SQA009101R0001	A3L4AA-6L7G	156	1SQA009168R0001	A3PBE1-600Y-00	143
1SFA619600R6123	CB1-612Y	109	1SQA009102R0001	A3L4AA-6L7R	156	1SQA009169R0001	A3PBE1-600Y-10	143
1SFA619600R6131	CB1-613R	109	1SQA009103R0001	A3L4AA-6L8C	156	1SQA009171R0001	A3PBF1-600T-00	142
1SFA619600R6133	CB1-613Y	109	1SQA009104R0001	A3L4AA-6L8G	156	1SQA009172R0001	A3PBF1-600T-01	142
1SFA619600R6206	CB1-620B	109	1SQA009105R0001	A3L4AA-6L8L	156	1SQA009173R0001	A3PBF1-600T-10	142
1SFA619600R6216	CB1-621B	109	1SQA009106R0001	A3L4AA-6L8M	156	1SQA009175R0001	A3PBF1-600B-00	142
1SFA619600R6226	CB1-622B	109	1SQA009107R0001	A3L4AA-6L8R	156	1SQA009176R0001	A3PBF1-600B-01	142
1SFA619600R6236	CB1-623B	109	1SQA009108R0001	A3L4AA-6L8W	156	1SQA009177R0001	A3PBF1-600B-10	142
1SFA619600R6306	CB1-630B	109	1SQA009109R0001	A3L4AA-6L9G	156	1SQA009179R0001	A3PBF1-600G-00	142
1SFA619600R6316	CB1-631B	109	1SQA009110R0001	A3L4AA-6L9R	156	1SQA009180R0001	A3PBF1-600G-01	142
1SFA619600R6326	CB1-632B	109	1SQA009111R0001	A3L4AA-6L9W	156	1SQA009181R0001	A3PBF1-600G-10	142
1SFA619600R6336	CB1-633B	109	1SQA009112R0001	A3L4AA-6L9G	155	1SQA009183R0001	A3PBF1-600L-00	142
1SFA619811R1000	CEP1-0	123	1SQA009113R0001	A3L4AA-6LBM	155	1SQA009184R0001	A3PBF1-600L-10	142
1SFA619811R1001	CEP1-1001	130	1SQA009114R0001	A3L4AA-6LBR	155	1SQA009186R0001	A3PBF1-600Y-00	142
1SFA619811R1002	CEP1-1002	130	1SQA009115R0001	A3L4AA-6LBW	155	1SQA009187R0001	A3PBF1-600R-00	142
1SFA619811R2001	CEP1-2001	130	1SQA009116R0001	A3L4AA-6LLG	156	1SQA009188R0001	A3PBF1-600R-01	142
1SFA619811R2002	CEP1-2002	130	1SQA009117R0001	A3L4AA-6LLM	156	1SQA009189R0001	A3PBF1-600R-10	142
1SFA619821R1000	CEPY1-0	123	1SQA009118R0001	A3L4AA-6LLR	156	1SQA009191R0001	A3PBF1-600Y-01	142
1SFA619821R1001	CEPY1-1001	130	1SQA009119R0001	A3L4AA-6LLW	156	1SQA009192R0001	A3PBF1-600Y-10	142
1SFA619821R1002	CEPY1-1002	130	1SQA009120R0001	A3L4AA-6N4N	155	1SQA009202R0001	A3PL41-6L5R-00	150
1SFA619821R1006	CEPY1-1006	130	1SQA009121R0001	A3PB41-600B-00	147	1SQA009208R0001	A3PL41-6LBR-10	150
1SFA619821R2001	CEPY1-2001	130	1SQA009122R0001	A3PB41-600B-01	147	1SQA009218R0001	A3PLE1-6L2G-10	144
1SFA619821R2002	CEPY1-2002	130	1SQA009123R0001	A3PB41-600B-10	147	1SQA009221R0001	A3PLE1-6L2M-00	144
1SFA619920R8053	CA1-8053	110, 123	1SQA009125R0001	A3PB41-600G-00	147	1SQA009222R0001	A3PLE1-6L2M-10	144
1SFA619920R8054	CA1-8054	110, 123	1SQA009126R0001	A3PB41-600G-01	147	1SQA009224R0001	A3PLE1-6L2R-00	144
1SFA619920R8077	CA1-8077	110	1SQA009127R0001	A3PB41-600G-10	147	1SQA009226R0001	A3PLE1-6L2W-10	144
1SFA619920R8078	CA1-8078	110	1SQA009129R0001	A3PB41-600R-00	147	1SQA009229R0001	A3PLE1-6L4G-00	144
1SFA619920R8080	CA1-8080	111	1SQA009130R0001	A3PB41-600R-01	147	1SQA009230R0001	A3PLE1-6L4G-10	144
1SFA619930R1024	CA6-1024	128	1SQA009131R0001	A3PB41-600R-10	147	1SQA009233R0001	A3PLE1-6L4M-00	144
1SFA619930R1026	CA6-1026	128	1SQA009133R0001	A3PB41-600Y-00	147	1SQA009235R0001	A3PLE1-6L4R-00	144
1SFA619930R1027	CA6-1027	128	1SQA009134R0001	A3PB41-600Y-01	147	1SQA009236R0001	A3PLE1-6L4R-10	144
1SQA009077R0001	A3L4AA-6L2C	155	1SQA009135R0001	A3PB41-600Y-10	147	1SQA009238R0001	A3PLE1-6L4W-10	144
1SQA009078R0001	A3L4AA-6L2G	155	1SQA009137R0001	A3PB61-600B-00	149	1SQA009241R0001	A3PLE1-6L5G-00	145
1SQA009079R0001	A3L4AA-6L2L	155	1SQA009138R0001	A3PB61-600B-01	149	1SQA009242R0001	A3PLE1-6L5G-10	145
1SQA009080R0001	A3L4AA-6L2M	155	1SQA009139R0001	A3PB61-600B-10	149	1SQA009245R0001	A3PLE1-6L5M-10	145
1SQA009081R0001	A3L4AA-6L2R	155	1SQA009141R0001	A3PB61-600G-00	149	1SQA009247R0001	A3PLE1-6L5R-10	145
1SQA009082R0001	A3L4AA-6L2W	155	1SQA009142R0001	A3PB61-600G-01	149	1SQA009265R0001	A3PLE1-6LLM-10	146

Index

Order code classification

Order code	Type	Page	Order code	Type	Page	Order code	Type	Page
1SQA009267R0001	A3PLE1-6LLR-10	146	1SQA009430R0001	A3SSAA-6L5G-00	162	1SQA009543R0001	A3XLFNL	169
1SQA009270R0001	A3PP42-600B-01	147	1SQA009433R0001	A3SSAA-6L5R-00	162	1SQA009544R0001	A3XLFNH	169
1SQA009272R0001	A3PP42-600G-01	147	1SQA009441R0001	A3SSBA-6L2G-00	162	1SQA009545R0001	A3XLFFNY	169
1SQA009273R0001	A3PP42-600R-00	147	1SQA009453R0001	A3SSCA-6L2G-00	162	1SQA009546R0001	A3XLLLA	169
1SQA009274R0001	A3PP42-600R-01	147	1SQA009456R0001	A3SSCA-6L4G-00	162	1SQA009547R0001	A3XLLLC	169
1SQA009276R0001	A3PP42-600Y-01	147	1SQA009459R0001	A3SSCA-6L4R-00	162	1SQA009548R0001	A3XLLLG	169
1SQA009279R0001	A3PP42-6L2R-01	150	1SQA009462R0001	A3SSCA-6L5R-00	162	1SQA009549R0001	A3XLLLL	169
1SQA009280R0001	A3PP42-6L2R-10	150	1SQA009474R0001	A3SSDC-6AAB-00	158	1SQA009550R0001	A3XLLLM	169
1SQA009284R0001	A3PP42-6L4R-10	150	1SQA009476R0001	A3SSDD-6AAB-00	159	1SQA009551R0001	A3XLLLR	169
1SQA009288R0001	A3PP42-6L5R-00	151	1SQA009480R0001	A3SSEB-6AAB-00	158	1SQA009552R0001	A3XLLLW	169
1SQA009289R0001	A3PP42-6L5R-01	151	1SQA009481R0001	A3SSEC-6AAB-00	158	1SQA009553R0001	A3XLMLG	169
1SQA009304R0001	A3PP62-600R-00	149	1SQA009483R0001	A3SSED-6AAB-00	159	1SQA009554R0001	A3XLMLM	169
1SQA009305R0001	A3PP62-600R-01	149	1SQA009488R0001	A3SSGC-6AAB-00	158	1SQA009555R0001	A3XLMLR	169
1SQA009308R0001	A3PPM2-600N-00	148	1SQA009490R0001	A3SSGD-6AAB-00	159	1SQA009556R0001	A3XLMLW	169
1SQA009309R0001	A3PPM2-600R-00	148	1SQA009494R0001	A3XC01	167	1SQA009557R0001	A3XLMM1	169
1SQA009310R0001	A3PPM2-600R-01	148	1SQA009496R0001	A3XC10	167	1SQA009558R0001	A3XLMMG	169
1SQA009311R0001	A3PPM2-600R-10	148	1SQA009500R0001	A3XGCE	168	1SQA009559R0001	A3XLMMR	169
1SQA009314R0001	A3PPM2-6L4G-01	152	1SQA009501R0001	A3XGCF	168	1SQA009560R0001	A3XLSG6	169
1SQA009316R0001	A3PPM2-6L4R-00	152	1SQA009502R0001	A3XGLM	168	1SQA009561R0001	A3XLSG8	169
1SQA009317R0001	A3PPM2-6L4R-01	152	1SQA009503R0001	A3XGLN	168	1SQA009562R0001	A3XLSGG	169
1SQA009320R0001	A3PPM2-6LBR-01	148	1SQA009504R0001	A3XGLP	168	1SQA009563R0001	A3XLSGL	169
1SQA009325R0001	A3PPM3-6L4R-00	152	1SQA009506R0001	A3XGPM	168	1SQA009564R0001	A3XLSGR	169
1SQA009328R0001	A3PPM4-6L2R-00	152	1SQA009510R0001	A3XL4LR	168	1SQA009565R0001	A3XLSGW	169
1SQA009332R0001	A3PT4R-600N-00	154	1SQA009511R0001	A3XL4N8	168	1SQA009566R0001	A3XLSGY	169
1SQA009333R0001	A3PT4R-600R-00	147	1SQA009512R0001	A3XL4NA	168	1SQA009567R0001	A3XLSS6	169
1SQA009334R0001	A3PT4R-600R-01	147	1SQA009513R0001	A3XL4NB	168	1SQA009568R0001	A3XLSS8	169
1SQA009335R0001	A3PT4R-600R-10	147	1SQA009514R0001	A3XL4NG	168	1SQA009569R0001	A3XLSSG	169
1SQA009345R0001	A3SKAX-6AA1-00	163	1SQA009515R0001	A3XL4NL	168	1SQA009570R0001	A3XLSSL	169
1SQA009347R0001	A3SKBE-6AA1-00	164	1SQA009516R0001	A3XL4NR	168	1SQA009571R0001	A3XLSSR	169
1SQA009350R0001	A3SKBH-6AA1-00	164	1SQA009517R0001	A3XL4NY	168	1SQA009572R0001	A3XLSSW	169
1SQA009352R0001	A3SKBV-6AA1-00	164	1SQA009518R0001	A3XL6N8	168	1SQA009573R0001	A3XLSSY	169
1SQA009354R0001	A3SKBY-6AA1-00	164	1SQA009519R0001	A3XL6NA	168	1SQA009574R0001	A3XLTLG	169
1SQA009355R0001	A3SKCE-6AA1-00	164	1SQA009520R0001	A3XL6NB	168	1SQA009575R0001	A3XLTLM	169
1SQA009358R0001	A3SKCG-6AA1-00	164	1SQA009521R0001	A3XL6NG	168	1SQA009576R0001	A3XLTLR	169
1SQA009360R0001	A3SKCH-6AA1-00	164	1SQA009522R0001	A3XL6NL	168	1SQA009577R0001	A3XLTNG	169
1SQA009362R0001	A3SKCT-6AA1-00	164	1SQA009523R0001	A3XL6NR	168	1SQA009578R0001	A3XLTNR	169
1SQA009364R0001	A3SKCV-6AA1-00	164	1SQA009524R0001	A3XL6NY	168	1SQA009579R0001	A3XLTNY	169
1SQA009366R0001	A3SKCY-6AA1-00	164	1SQA009525R0001	A3XLELC	168	1SQA009581R0001	A3XK501	168
1SQA009368R0001	A3SKDE-6AA1-00	164	1SQA009526R0001	A3XLELG	168	1SQA009583R0001	A3XXGC	170
1SQA009372R0001	A3SKDV-6AA1-00	164	1SQA009527R0001	A3XLELL	168	1SQA010161R0001	A3SSAA-6AAB-00	157
1SQA009376R0001	A3SKEV-6AA1-00	163	1SQA009528R0001	A3XLELM	168	1SQA010162R0001	A3SSCA-6AAB-00	157
1SQA009378R0001	A3SKGE-6AA1-00	163	1SQA009529R0001	A3XLELR	168	1SQA010163R0001	A3SSCB-6AAB-00	158
1SQA009380R0001	A3SKGG-6AA1-00	163	1SQA009530R0001	A3XLELW	168	1SQA010164R0001	A3SSCD-6AAB-00	159
1SQA009381R0001	A3SKGH-6AA1-00	163	1SQA009531R0001	A3XLEN6	168	1SQA010165R0001	A3SSGA-6AAB-00	158
1SQA009389R0001	A3SLBC-6AAB-00	160	1SQA009532R0001	A3XLEN8	168	1SQA010170R0001	A3SKAE-6AA1-00	163
1SQA009391R0001	A3SLBD-6AAB-00	161	1SQA009533R0001	A3XLENA	168	1SQA010171R0001	A3SKAF-6AA1-00	163
1SQA009393R0001	A3SLCA-6AAB-00	160	1SQA009534R0001	A3XLENG	168	1SQA010172R0001	A3SSBA-6AAB-00	157
1SQA009395R0001	A3SLCB-6AAB-00	160	1SQA009535R0001	A3XLENL	168	1SQA010173R0001	A3SSBD-6AAB-00	159
1SQA009398R0001	A3SLCD-6AAB-00	161	1SQA009536R0001	A3XLENR	168	1SQA010174R0001	A3SSHA-6AAB-00	159
1SQA009406R0001	A3SLGA-6AAB-00	160	1SQA009537R0001	A3XLENY	168	1SQA010175R0001	A3SSEA-6AAB-00	158
1SQA009410R0001	A3SLGD-6AAB-00	161	1SQA009538R0001	A3XLFN6	169	1SQA010177R0001	A3PBM1-600R-01	148
1SQA009417R0001	A3SSAA-6L2G-00	162	1SQA009539R0001	A3XLFN8	169	1SQA010178R0001	A3PBN1-600N-00	154
1SQA009422R0001	A3SSAA-6L2R-00	162	1SQA009540R0001	A3XLFNA	169	1SQA010179R0001	A3XMN4N	170
1SQA009424R0001	A3SSAA-6L4G-00	162	1SQA009541R0001	A3XLFNB	169	1SQA010180R0001	A3XGGL	168
1SQA009428R0001	A3SSAA-6L4R-00	162	1SQA009542R0001	A3XLFNG	169	1SQA010181R0001	A3XGGP	168

Index

Order code classification

Order code	Type	Page	Order code	Type	Page	Order code	Type	Page
1SQA010182R0001	A3XMLLR	170	1SQA010415R0001	A3SKDF-6AA1-00	163	1SQA010757R0001	A3PBE1-600Y-91	143
1SQA010183R0001	A3XMLLG	170	1SQA010416R0001	A3SKDH-6AA1-00	163	1SQA010758R0001	A3PBF1-6007-91	142
1SQA010184R0001	A3XMMLY	170	1SQA010417R0001	A3SKDY-6AA1-00	164	1SQA010759R0001	A3PBF1-600B-91	142
1SQA010185R0001	A3XMLUG	170	1SQA010418R0001	A3SKEE-6AA1-00	163	1SQA010760R0001	A3PBF1-600G-91	142
1SQA010186R0001	A3XMN6N	170	1SQA010419R0001	A3SKET-6AA1-00	164	1SQA010761R0001	A3PBF1-600L-91	142
1SQA010187R0001	A3XMN8N	170	1SQA010421R0001	A3SSAA-6L2L-00	162	1SQA010762R0001	A3PBF1-600R-91	142
1SQA010188R0001	A3XMN7N	170	1SQA010424R0001	A3SSAA-6L4L-00	162	1SQA010763R0001	A3PBF1-600Y-91	142
1SQA010189R0001	A3XBL6R	170	1SQA010425R0001	A3SSAA-6L4M-00	162	1SQA010764R0001	A3PL41-6L2G-91	150
1SQA010190R0001	A3XBL6G	170	1SQA010428R0001	A3SSAA-6L5M-00	162	1SQA010765R0001	A3PL41-6L2M-91	150
1SQA010191R0001	A3XBL6W	170	1SQA010430R0001	A3SSAA-6L6G-00	162	1SQA010766R0001	A3PL41-6L2R-91	150
1SQA010192R0001	A3XBL2R	170	1SQA010432R0001	A3SSBA-6L2R-00	162	1SQA010767R0001	A3PL41-6L4G-91	150
1SQA010193R0001	A3XBL2G	170	1SQA010434R0001	A3SSCA-6L2M-00	162	1SQA010768R0001	A3PL41-6L4M-91	150
1SQA010194R0001	A3XBL2W	170	1SQA010436R0001	A3SSCA-6L4L-00	162	1SQA010769R0001	A3PL41-6L4R-91	150
1SQA010195R0001	A3XBL4R	170	1SQA010438R0001	A3SSCA-6L5G-00	162	1SQA010770R0001	A3PL41-6L5G-91	150
1SQA010196R0001	A3XBL4Y	170	1SQA010440R0001	A3SSDB-6AAB-00	158	1SQA010771R0001	A3PL41-6L5R-91	150
1SQA010197R0001	A3XBL4L	170	1SQA010441R0001	A3SSGB-6AAB-00	158	1SQA010772R0001	A3PL41-6L6R-91	150
1SQA010198R0001	A3XBL4W	170	1SQA010442R0001	A3SLAC-6AAB-00	159	1SQA010773R0001	A3PL41-6L9R-91	150
1SQA010199R0001	A3L4AA-6NON	156	1SQA010443R0001	A3SLBA-6AAB-00	160	1SQA010774R0001	A3PL41-6LBG-91	150
1SQA010200R0001	A3PPN2-600N-00	154	1SQA010444R0001	A3SLBB-6AAB-00	160	1SQA010775R0001	A3PL41-6LBM-91	150
1SQA010201R0001	A3XLENB	170	1SQA010445R0001	A3SLCC-6AAB-00	160	1SQA010776R0001	A3PL41-6LLR-91	150
1SQA010202R0001	A3SLAA-6AAB-00	157	1SQA010446R0001	A3SLDA-6AAB-00	160	1SQA010777R0001	A3PL61-6L2G-91	153
1SQA010203R0001	A3SSAC-6AAB-00	157	1SQA010447R0001	A3SLDC-6AAB-00	160	1SQA010778R0001	A3PL61-6L2R-91	153
1SQA010204R0001	A3SSAA-6AAG-00	157	1SQA010448R0001	A3SLDD-6AAB-00	161	1SQA010779R0001	A3PL61-6L4G-91	153
1SQA010205R0001	A3SSAA-6AAR-00	157	1SQA010449R0001	A3SLEA-6AAB-00	160	1SQA010780R0001	A3PL61-6L4R-91	153
1SQA010206R0001	A3SSBB-6AAB-00	158	1SQA010450R0001	A3SLEC-6AAB-00	160	1SQA010781R0001	A3PL61-6L5R-91	153
1SQA010207R0001	A3SSBC-6AAB-00	158	1SQA010451R0001	A3SLED-6AAB-00	161	1SQA010782R0001	A3PL61-6LLM-91	153
1SQA010208R0001	A3SSCC-6AAB-00	158	1SQA010452R0001	A3SLGB-6AAB-00	160	1SQA010783R0001	A3PL61-6LLR-91	153
1SQA010209R0001	A3SSDA-6AAB-00	157	1SQA010453R0001	A3SLGC-6AAB-00	160	1SQA010784R0001	A3PLE1-6L2C-91	144
1SQA010210R0001	A3SKAG-6AA1-00	163	1SQA010454R0001	A3SLHA-6AAB-00	161	1SQA010785R0001	A3PLE1-6L2G-91	144
1SQA010211R0001	A3XGCC	168	1SQA010455R0001	A3XMLUW	170	1SQA010786R0001	A3PLE1-6L2L-91	144
1SQA010212R0001	A3XL4LG	168	1SQA010456R0001	A3XMLUR	170	1SQA010787R0001	A3PLE1-6L2M-91	144
1SQA010213R0001	A3XLKLG	170	1SQA010458R0001	A3XMLUL	170	1SQA010788R0001	A3PLE1-6L2R-91	144
1SQA010214R0001	A3XLKLR	170	1SQA010459R0001	A3XMLUY	170	1SQA010789R0001	A3PLE1-6L2W-91	144
1SQA010215R0001	A3XL4LM	168	1SQA010460R0001	A3L4AA-6LUG	155	1SQA010790R0001	A3PLE1-6L4C-91	144
1SQA010216R0001	A3XLKLL	170	1SQA010461R0001	A3L4AA-6LUM	155	1SQA010791R0001	A3PLE1-6L4G-91	144
1SQA010217R0001	A3XLKLM	170	1SQA010462R0001	A3L4AA-6LUR	155	1SQA010792R0001	A3PLE1-6L4L-91	144
1SQA010218R0001	A3XLKLC	170	1SQA010463R0001	A3L4AA-6LUW	155	1SQA010793R0001	A3PLE1-6L4M-91	144
1SQA010219R0001	A3XLKLW	170	1SQA010464R0001	A3L4AA-6LUL	155	1SQA010794R0001	A3PLE1-6L4R-91	144
1SQA010221R0001	A3XGLW	170	1SQA010465R0001	A3L4AA-6LUC	155	1SQA010795R0001	A3PLE1-6L4W-91	144
1SQA010222R0001	A3XLPOC	170	1SQA010480R0001	A3XMLLL	170	1SQA010796R0001	A3PLE1-6L5C-91	145
1SQA010223R0001	A3XLP0B	170	1SQA010492R0001	A3L4AA-6L9C	156	1SQA010797R0001	A3PLE1-6L5G-91	145
1SQA010401R0001	A3XBL2L	170	1SQA010493R0001	A3L4AA-6L9M	156	1SQA010798R0001	A3PLE1-6L5L-91	145
1SQA010402R0001	A3XBL2Y	170	1SQA010494R0001	A3L4AA-6L9L	156	1SQA010799R0001	A3PLE1-6L5M-91	145
1SQA010403R0001	A3XBL4G	170	1SQA010745R0001	A3PB41-600B-91	147	1SQA010800R0001	A3PLE1-6L5R-91	145
1SQA010404R0001	A3XMN5N	170	1SQA010746R0001	A3PB41-600G-91	147	1SQA010801R0001	A3PLE1-6L5W-91	145
1SQA010405R0001	A3XBL6L	170	1SQA010747R0001	A3PB41-600R-91	147	1SQA010802R0001	A3PLE1-6L6G-91	145
1SQA010406R0001	A3XBL6Y	170	1SQA010748R0001	A3PB41-600Y-91	147	1SQA010803R0001	A3PLE1-6L6L-91	145
1SQA010407R0001	A3XMN9N	170	1SQA010749R0001	A3PB61-600B-91	149	1SQA010804R0001	A3PLE1-6L6M-91	145
1SQA010408R0001	A3XMMLW	170	1SQA010750R0001	A3PB61-600G-91	149	1SQA010805R0001	A3PLE1-6L6R-91	145
1SQA010409R0001	A3XL6LG	168	1SQA010751R0001	A3PB61-600R-91	149	1SQA010806R0001	A3PLE1-6L6W-91	145
1SQA010410R0001	A3XL6LR	168	1SQA010752R0001	A3PB61-600Y-91	149	1SQA010807R0001	A3PLE1-6L8G-91	145
1SQA010411R0001	A3XL6LM	168	1SQA010753R0001	A3PBE1-6007-91	143	1SQA010808R0001	A3PLE1-6L8M-91	145
1SQA010412R0001	A3SKBF-6AA1-00	163	1SQA010754R0001	A3PBE1-600B-91	143	1SQA010809R0001	A3PLE1-6L8R-91	145
1SQA010413R0001	A3SKCF-6AA1-00	163	1SQA010755R0001	A3PBE1-600G-91	143	1SQA010810R0001	A3PLE1-6L9G-91	145
1SQA010414R0001	A3SKCU-6AA1-00	163	1SQA010756R0001	A3PBE1-600R-91	143	1SQA010811R0001	A3PLE1-6L9R-91	145

Index

Order code classification

Order code	Type	Page	Order code	Type	Page	Order code	Type	Page
1SQA010812R0001	A3PLE1-6L BG-91	146	1SQA010867R0001	A3PP44-6L2R-1N	151	1SQA010922R0001	A3SLGD-6AAB-91	161
1SQA010813R0001	A3PLE1-6L BL-91	146	1SQA010868R0001	A3PP44-6L4R-1N	151	1SQA010923R0001	A3SLHA-6AAB-92	161
1SQA010814R0001	A3PLE1-6L BM-91	146	1SQA010869R0001	A3PP44-6L5R-1N	151	1SQA010924R0001	A3SSAA-6AAB-01	157
1SQA010815R0001	A3PLE1-6L BR-91	146	1SQA010870R0001	A3PP62-6L2R-91	153	1SQA010925R0001	A3SSAA-6AAB-10	157
1SQA010816R0001	A3PLE1-6L LG-91	146	1SQA010871R0001	A3PPM2-6L2R-91	152	1SQA010926R0001	A3SSAA-6AAB-91	157
1SQA010817R0001	A3PLE1-6L LM-91	146	1SQA010872R0001	A3PPM2-6L4G-91	152	1SQA010927R0001	A3SSAC-6AAB-91	157
1SQA010818R0001	A3PLE1-6L LR-91	146	1SQA010873R0001	A3PPM2-6L4R-91	152	1SQA010928R0001	A3SSBA-6AAB-10	157
1SQA010819R0001	A3PLE1-6L LW-91	146	1SQA010874R0001	A3PPM2-6L4W-91	152	1SQA010929R0001	A3SSBA-6AAB-91	157
1SQA010820R0001	A3PLE1-6L7G-91	145	1SQA010875R0001	A3PPM3-6L2R-1N	152	1SQA010930R0001	A3SSBB-6AAB-91	158
1SQA010821R0001	A3PLE1-6L7R-91	145	1SQA010876R0001	A3PPM3-6L4G-1N	152	1SQA010931R0001	A3SSBC-6AAB-91	158
1SQA010822R0001	A3PLE1-6L7M-91	145	1SQA010877R0001	A3PPM3-6L4M-1N	152	1SQA010932R0001	A3SSBD-6AAB-91	159
1SQA010823R0001	A3PLE1-6L7W-91	145	1SQA010878R0001	A3PPM3-6L4R-1N	152	1SQA010933R0001	A3SSBD-6AAB-92	159
1SQA010824R0001	A3PLE1-6L7L-91	145	1SQA010879R0001	A3PPM4-6L2R-1N	152	1SQA010934R0001	A3SSCA-6AAB-10	157
1SQA010825R0001	A3PLE1-6L7C-91	145	1SQA010880R0001	A3PPM4-6L4R-1N	152	1SQA010935R0001	A3SSCA-6AAB-91	157
1SQA010826R0001	A3PLE1-6LUG-91	146	1SQA010881R0001	A3PT4R-600R-91	147	1SQA010936R0001	A3SSCB-6AAB-91	158
1SQA010827R0001	A3PLE1-6LUM-91	146	1SQA010882R0001	A3SSAA-6L2G-10	162	1SQA010937R0001	A3SSCC-6AAB-91	158
1SQA010828R0001	A3PLE1-6LUR-91	146	1SQA010883R0001	A3SSAA-6L2G-91	162	1SQA010938R0001	A3SSCD-6AAB-10	159
1SQA010829R0001	A3PLE1-6LUW-91	146	1SQA010884R0001	A3SSAA-6L2L-10	162	1SQA010939R0001	A3SSCD-6AAB-91	159
1SQA010830R0001	A3PLE1-6LUL-91	146	1SQA010885R0001	A3SSAA-6L2L-91	162	1SQA010940R0001	A3SSDA-6AAB-91	157
1SQA010831R0001	A3PLE1-6LUC-91	146	1SQA010886R0001	A3SSAA-6L2R-91	162	1SQA010941R0001	A3SSDB-6AAB-91	158
1SQA010832R0001	A3PLE1-6LLL-91	146	1SQA010887R0001	A3SSAA-6L4G-91	162	1SQA010942R0001	A3SSDC-6AAB-91	158
1SQA010833R0001	A3PLE1-6LLC-91	146	1SQA010888R0001	A3SSAA-6L4L-91	162	1SQA010943R0001	A3SSDD-6AAB-91	159
1SQA010834R0001	A3PLE1-6L9M-91	145	1SQA010889R0001	A3SSAA-6L4M-91	162	1SQA010944R0001	A3SSEA-6AAB-91	158
1SQA010835R0001	A3PLE1-6L8W-91	145	1SQA010890R0001	A3SSAA-6L4R-91	162	1SQA010945R0001	A3SSEC-6AAB-91	158
1SQA010836R0001	A3PLE1-6L9W-91	145	1SQA010891R0001	A3SSAA-6L5G-91	162	1SQA010946R0001	A3SSED-6AAB-91	159
1SQA010837R0001	A3PLE1-6L8L-91	145	1SQA010892R0001	A3SSAA-6L5M-91	162	1SQA010947R0001	A3SSGA-6AAB-91	158
1SQA010838R0001	A3PLE1-6L9L-91	145	1SQA010893R0001	A3SSAA-6L5R-91	162	1SQA010948R0001	A3SSGB-6AAB-91	158
1SQA010839R0001	A3PLE1-6L6C-91	145	1SQA010894R0001	A3SSAA-6L6G-91	162	1SQA010949R0001	A3SSGC-6AAB-91	158
1SQA010840R0001	A3PLE1-6L8C-91	145	1SQA010895R0001	A3SSBA-6L2R-91	162	1SQA010950R0001	A3SSGD-6AAB-91	159
1SQA010841R0001	A3PLE1-6L9C-91	145	1SQA010896R0001	A3SSCA-6L2G-91	162	1SQA010951R0001	A3SSHA-6AAB-92	159
1SQA010842R0001	A3PP42-600B-91	147	1SQA010897R0001	A3SSCA-6L2M-91	162	1SQA010952R0001	A3SKAE-6AA1-10	163
1SQA010843R0001	A3PP42-600R-91	147	1SQA010898R0001	A3SSCA-6L4G-91	162	1SQA010953R0001	A3SKAE-6AA1-91	163
1SQA010844R0001	A3PP43-600R-1N	147	1SQA010899R0001	A3SSCA-6L4L-91	162	1SQA010954R0001	A3SKAF-6AA1-10	163
1SQA010845R0001	A3PP44-600R-1N	147	1SQA010900R0001	A3SSCA-6L4R-91	162	1SQA010955R0001	A3SKAF-6AA1-91	163
1SQA010846R0001	A3PP62-600R-91	149	1SQA010901R0001	A3SSCA-6L5G-91	162	1SQA010956R0001	A3SKAG-6AA1-91	163
1SQA010847R0001	A3PPM2-600R-91	148	1SQA010902R0001	A3SSCA-6L5R-91	162	1SQA010957R0001	A3SKAX-6AA1-91	163
1SQA010848R0001	A3PPM3-600R-1N	152	1SQA010903R0001	A3SLAA-6AAB-91	157	1SQA010958R0001	A3SKBE-6AA1-91	163
1SQA010849R0001	A3PPM4-600R-1N	148	1SQA010904R0001	A3SLAC-6AAB-91	157	1SQA010959R0001	A3SKBF-6AA1-91	163
1SQA010850R0001	A3PP42-6L2G-91	150	1SQA010905R0001	A3SLBA-6AAB-91	160	1SQA010960R0001	A3SKBH-6AA1-91	163
1SQA010851R0001	A3PP42-6L2M-91	150	1SQA010906R0001	A3SLBB-6AAB-91	160	1SQA010961R0001	A3SKBV-6AA1-91	164
1SQA010852R0001	A3PP42-6L2R-91	150	1SQA010907R0001	A3SLBC-6AAB-91	160	1SQA010962R0001	A3SKCE-6AA1-91	164
1SQA010853R0001	A3PP42-6L4G-91	150	1SQA010908R0001	A3SLBD-6AAB-91	161	1SQA010963R0001	A3SKCF-6AA1-91	164
1SQA010854R0001	A3PP42-6L4M-91	150	1SQA010909R0001	A3SLCA-6AAB-91	160	1SQA010964R0001	A3SKCG-6AA1-91	164
1SQA010855R0001	A3PP42-6L4R-91	150	1SQA010910R0001	A3SLCB-6AAB-91	160	1SQA010965R0001	A3SKCH-6AA1-91	164
1SQA010856R0001	A3PP42-6L5G-91	151	1SQA010911R0001	A3SLCC-6AAB-91	160	1SQA010966R0001	A3SKCU-6AA1-91	164
1SQA010857R0001	A3PP42-6L5M-91	151	1SQA010912R0001	A3SLCD-6AAB-91	161	1SQA010967R0001	A3SKCV-6AA1-91	164
1SQA010858R0001	A3PP42-6L5R-91	151	1SQA010913R0001	A3SLDA-6AAB-91	160	1SQA010968R0001	A3SKCY-6AA1-91	164
1SQA010859R0001	A3PP42-6L8G-91	151	1SQA010914R0001	A3SLDC-6AAB-91	160	1SQA010969R0001	A3SKDE-6AA1-91	163
1SQA010860R0001	A3PP42-6L9R-91	151	1SQA010915R0001	A3SLDD-6AAB-91	161	1SQA010970R0001	A3SKDF-6AA1-91	164
1SQA010861R0001	A3PP42-6LLG-91	151	1SQA010916R0001	A3SLEA-6AAB-91	160	1SQA010971R0001	A3SKDH-6AA1-91	164
1SQA010862R0001	A3PP42-6LLR-91	151	1SQA010917R0001	A3SLEC-6AAB-91	160	1SQA010972R0001	A3SKDY-6AA1-91	164
1SQA010863R0001	A3PP43-6L4G-1N	151	1SQA010918R0001	A3SLED-6AAB-91	161	1SQA010973R0001	A3SKEE-6AA1-91	163
1SQA010864R0001	A3PP43-6L4R-1N	151	1SQA010919R0001	A3SLGA-6AAB-91	160	1SQA010974R0001	A3SKET-6AA1-91	164
1SQA010865R0001	A3PP43-6L5R-1N	151	1SQA010920R0001	A3SLGB-6AAB-91	160	1SQA010975R0001	A3SKEV-6AA1-91	164
1SQA010866R0001	A3PP43-6L8G-1N	151	1SQA010921R0001	A3SLGC-6AAB-91	160	1SQA010976R0001	A3SKGE-6AA1-92	163

Index

Order code classification

Order code	Type	Page	Order code	Type	Page	Order code	Type	Page
1SQA010977R0001	A3SKGH-6AA1-92	163	SK615546-6		136		104PES23	171
1SQA010978R0001	A3XC91	167	SK615546-8		136		CR104PXN*B	172
1SQA010979R0001	A3XC0B	167	SK615550-29		137		CR104PXN*BP006	172
1SQA010980R0001	A3XC0N	167	SK615550-44		137		CR104PXN*BP007	172
1SQA010981R0001	A3XC0M	167	SK615550-61		137		CR104PXN*BP008	172
1SQA010984R0001	A3SSAA-6AAB-20	157	SK615550-62		137		CR104PXN*BP010	172
1SQA010985R0001	A3SSAA-6AAB-21	157	SK615550-80		137		CR104PXN*BP011	172
1SQA010989R0001	A3SSCA-6AAB-12	157	SK615550-81		137		CR104PXN*BP012	172
1SQA010991R0001	A3SSGA-6AAB-12	158	SK615552-13		137		CR104PXN*BP013	172
1SQA010993R0001	A3SSBA-6AAB-21	157	SK615552-14		137		CR104PXN*BP014	172
1SQA010999R0001	A3SSBA-6L2G-91	162	SK615552-15		137		CR104PXN*BP017	172
1SQA011084R0001	A3SKAE-6AA1-20	163	SK615552-16		137		CR104PXN*BP018	172
1SQA011085R0001	A3SKBE-6AA1-92	164	SK615552-17		137		CR104PXN*BP019	172
1SQA011086R0001	A3SKBF-6AA1-92	164	SK615552-21		137		CR104PXN*BP020	172
1SQA011087R0001	A3SKBH-6AA1-92	163	SK615552-22		137		CR104PXN*BP021	172
1SQA011088R0001	A3SKBV-6AA1-92	164	SK615552-23		137		CR104PXN*BP022	172
1SQA011089R0001	A3SKCY-6AA1-92	164	SK615552-25		137		CR104PXN*BP023	172
1SQA011090R0001	A3SKDE-6AA1-92	164	SK615552-27		137		CR104PXN*BP024	172
1SQA011091R0001	A3SKDY-6AA1-92	163	SK615552-28		137		CR104PXN*BP025	172
1SQA011092R0001	A3SKEE-6AA1-92	163	SK615552-29		137		CR104PXN*BP026	172
1SQA011093R0001	A3SKET-6AA1-92	163	SK615552-30		137		CR104PXN*BP027	172
1SQA011094R0001	A3SKEV-6AA1-92	163	SK615552-31		137		CR104PXN*BP028	172
1SQA011095R0001	A3SLBA-6AAB-92	160	SK615552-32		137		CR104PXN*BP030	172
1SQA011096R0001	A3SLBB-6AAB-92	160	SK615562-12		137		CR104PXN*BP031	172
1SQA011097R0001	A3SLBC-6AAB-92	160	SK615562-82		137		CR104PXN*BP032	172
1SQA011098R0001	A3SLBD-6AAB-92	161	SK615562-87		38		CR104PXN*BP033	172
1SQA011099R0001	A3SLDD-6AAB-92	161	SK615562-88		38		CR104PXN*BP034	172
1SQA011100R0001	A3SLEA-6AAB-92	160	SK616016-2		47, 110		CR104PXN*BP036	172
1SQA011101R0001	A3SLED-6AAB-92	161	SK616021-71		48, 111		CR104PXN*BP037	172
1SQA011102R0001	A3SLGA-6AAB-92	160	SK616021-72		48, 111		CR104PXN*BP038	172
1SQA011103R0001	A3SLGB-6AAB-92	160	SK616021-73		48, 111		CR104PXN*BP043	172
1SQA011104R0001	A3SLGC-6AAB-92	160					CR104PXN*BP047	172
1SQA011105R0001	A3SLGD-6AAB-92	161				104PEG11	171	
1SQA011106R0001	A3SSBA-6AAB-20	157				104PEG11C	171	
1SQA011107R0001	A3SSBA-6AAB-92	157				104PEG11D	171	
1SQA011108R0001	A3SSBB-6AAB-92	158				104PEG11E	171	
1SQA011109R0001	A3SSBC-6AAB-92	158				104PEG11S	171	
1SQA011111R0001	A3SSCC-6AAB-92	158				104PEG11T	171	
1SQA011113R0001	A3SSDC-6AAB-92	158				104PEG12	171	
1SQA011117R0001	A3SSGB-6AAB-92	158				104PEG12G	171	
1SQA011118R0001	A3SSGC-6AAB-92	158				104PEG12K	171	
1SQA011119R0001	A3SSGD-6AAB-92	159				104PEG13	171	
4950512-1		105				104PEG13P	171	
4950512-2		105				104PEG14	171	
4950512-3		105				104PEG23	171	
SK615502-D		47, 110				104PES11	171	
SK615512-1		47, 110				104PES11C	171	
SK615516-1		124				104PES11E	171	
SK615546-1		136				104PES11S	171	
SK615546-13		136				104PES11T	171	
SK615546-15		136				104PES12	171	
SK615546-2		136				104PES12G	171	
SK615546-3		136				104PES12K	171	
SK615546-4		136				104PES13	171	
SK615546-5		136				104PES13P	171	
						104PES14	171	
						CR104PXN*BP049	173	
						CR104PXN*BP050	173	
						CR104PXN*BP051	173	
						CR104PXN*BP052	173	
						CR104PXN*BP053	173	
						CR104PXN*BP054	173	
						CR104PXN*BP055	173	
						CR104PXN*BP056	173	
						CR104PXN*BP057	173	
						CR104PXN*BP058	173	
						CR104PXN*BP059	173	
						CR104PXN*BP060	173	
						CR104PXN*BP061	173	
						CR104PXN*BP062	173	
						CR104PXN*BP063	173	
						CR104PXN*BP064	173	
						CR104PXN*BP065	173	
						CR104PXN*BP066	173	
						CR104PXN*BP067	173	
						CR104PXN*BP068	173	
						CR104PXN*BP069	173	
						CR104PXN*BP070	173	
						CR104PXN*BP071	173	
						CR104PXN*BP072	173	

Index

Order code classification

Order code	Type	Page
	CR104PXN*BP073	173
	CR104PXN*BP074	173
	CR104PXN*BP076	173
	CR104PXN*BP077	173
	CR104PXN*BP079	173
	CR104PXN*BP080	173
	CR104PXN*BP081	173
	CR104PXN*BP082	173
	CR104PXN*BP083	173
	CR104PXN*BP084	172
	CR104PXN*BP085	172
	CR104PXN*BP086	173
	CR104PXN*BP087	173
	CR104PXN*R	172
	CR104PXN*RP009	172
	CR104PXN*RP040	172
	CR104PXN*RP041	172
	CR104PXN*RP048	172
	CR104PXN1BP090	173
	CR104PXN1BP091	173
	CR104PXN6E	172
	CR104PXN6EP009	173
	CR104PXN6EP092	173

Index

Type classification

Type	Order code	Page	Type	Order code	Page	Type	Order code	Page
080CP-N	1SFA170190R8000	80	104PES11E		171	A3L4AA-6LLW	1SQA009119R0001	156
080CP-R	1SFA170191R8000	80	104PES11S		171	A3L4AA-6LUC	1SQA010465R0001	155
080CP-T	1SFA170198R8000	80	104PES11T		171	A3L4AA-6LUG	1SQA010460R0001	155
080CP-V	1SFA170192R8000	80	104PES12		171	A3L4AA-6LUL	1SQA010464R0001	155
080SP-1	1SFA170801R1001	81	104PES12G		171	A3L4AA-6LUM	1SQA010461R0001	155
080SP-12	1SFA170808R1012	81	104PES12K		171	A3L4AA-6LUR	1SQA010462R0001	155
080SP-12SF	1SFA170858R4000	82	104PES13		171	A3L4AA-6LUW	1SQA010463R0001	155
080SP-12SFC	1SFA170856R2000	82	104PES13P		171	A3L4AA-6N0N	1SQA010199R0001	156
080SP-12SFE	1SFA170857R3012	81	104PES14		171	A3L4AA-6N4N	1SQA009120R0001	155
080SP-18	1SFA170809R1018	81	104PES23		171	A3PB41-600B-00	1SQA009121R0001	147
080SP-18SF	1SFA170861R4000	82	A3L4AA-6L2C	1SQA009077R0001	155	A3PB41-600B-01	1SQA009122R0001	147
080SP-18SFC	1SFA170859R2000	82	A3L4AA-6L2G	1SQA009078R0001	155	A3PB41-600B-10	1SQA009123R0001	147
080SP-1M	1SFA170831R1001	81	A3L4AA-6L2L	1SQA009079R0001	155	A3PB41-600B-91	1SQA010745R0001	147
080SP-1MSF	1SFA170840R4000	82	A3L4AA-6L2M	1SQA009080R0001	155	A3PB41-600G-00	1SQA009125R0001	147
080SP-1MSFC	1SFA170838R2000	82	A3L4AA-6L2R	1SQA009081R0001	155	A3PB41-600G-01	1SQA009126R0001	147
080SP-1MSFE	1SFA170839R3001	81	A3L4AA-6L2W	1SQA009082R0001	155	A3PB41-600G-10	1SQA009127R0001	147
080SP-1SF	1SFA170837R4000	82	A3L4AA-6L4C	1SQA009083R0001	155	A3PB41-600G-91	1SQA010746R0001	147
080SP-1SFC	1SFA170835R2000	82	A3L4AA-6L4G	1SQA009084R0001	155	A3PB41-600R-00	1SQA009129R0001	147
080SP-1SFE	1SFA170836R3001	81	A3L4AA-6L4L	1SQA009085R0001	155	A3PB41-600R-01	1SQA009130R0001	147
080SP-2	1SFA170802R1002	81	A3L4AA-6L4M	1SQA009086R0001	155	A3PB41-600R-10	1SQA009131R0001	147
080SP-24	1SFA170810R1024	81	A3L4AA-6L4R	1SQA009087R0001	155	A3PB41-600R-91	1SQA010747R0001	147
080SP-2M	1SFA170832R1002	81	A3L4AA-6L4W	1SQA009088R0001	155	A3PB41-600Y-00	1SQA009133R0001	147
080SP-2MSF	1SFA170846R4000	82	A3L4AA-6L5C	1SQA009089R0001	156	A3PB41-600Y-01	1SQA009134R0001	147
080SP-2MSFC	1SFA170844R2000	82	A3L4AA-6L5G	1SQA009090R0001	156	A3PB41-600Y-10	1SQA009135R0001	147
080SP-2SF	1SFA170843R4000	82	A3L4AA-6L5L	1SQA009091R0001	156	A3PB41-600Y-91	1SQA010748R0001	147
080SP-2SFC	1SFA170841R2000	82	A3L4AA-6L5M	1SQA009092R0001	156	A3PB61-600B-00	1SQA009137R0001	149
080SP-2SFE	1SFA170842R3002	81	A3L4AA-6L5R	1SQA009093R0001	156	A3PB61-600B-01	1SQA009138R0001	149
080SP-3	1SFA170803R1003	81	A3L4AA-6L5W	1SQA009094R0001	156	A3PB61-600B-10	1SQA009139R0001	149
080SP-3SF	1SFA170849R4000	82	A3L4AA-6L6C	1SQA009095R0001	156	A3PB61-600B-91	1SQA010749R0001	149
080SP-3SFC	1SFA170847R2000	82	A3L4AA-6L6G	1SQA009096R0001	156	A3PB61-600G-00	1SQA009141R0001	149
080SP-3SFE	1SFA170848R3003	81	A3L4AA-6L6L	1SQA009097R0001	156	A3PB61-600G-01	1SQA009142R0001	149
080SP-4	1SFA170804R1004	81	A3L4AA-6L6M	1SQA009098R0001	156	A3PB61-600G-10	1SQA009143R0001	149
080SP-4M	1SFA170834R1004	81	A3L4AA-6L6R	1SQA009099R0001	156	A3PB61-600G-91	1SQA010750R0001	149
080SP-4SFE	1SFA170850R3004	81	A3L4AA-6L6W	1SQA009100R0001	156	A3PB61-600R-00	1SQA009145R0001	149
080SP-6	1SFA170806R1006	81	A3L4AA-6L7G	1SQA009101R0001	156	A3PB61-600R-01	1SQA009146R0001	149
080SP-6SFE	1SFA170852R3006	81	A3L4AA-6L7R	1SQA009102R0001	156	A3PB61-600R-10	1SQA009147R0001	149
080SP-8	1SFA170807R1008	81	A3L4AA-6L8C	1SQA009103R0001	156	A3PB61-600R-91	1SQA010751R0001	149
080SP-8SF	1SFA170855R4000	82	A3L4AA-6L8G	1SQA009104R0001	156	A3PB61-600Y-00	1SQA009149R0001	149
080SP-8SFC	1SFA170853R2000	82	A3L4AA-6L8L	1SQA009105R0001	156	A3PB61-600Y-01	1SQA009150R0001	149
080SP-8SFE	1SFA170854R3008	81	A3L4AA-6L8M	1SQA009106R0001	156	A3PB61-600Y-91	1SQA010752R0001	149
104PEG11		171	A3L4AA-6L8R	1SQA009107R0001	156	A3PBE1-6007-00	1SQA009152R0001	143
104PEG11C		171	A3L4AA-6L8W	1SQA009108R0001	156	A3PBE1-6007-01	1SQA009153R0001	143
104PEG11D		171	A3L4AA-6L9C	1SQA010492R0001	156	A3PBE1-6007-10	1SQA009154R0001	143
104PEG11E		171	A3L4AA-6L9G	1SQA009109R0001	156	A3PBE1-6007-91	1SQA010753R0001	143
104PEG11S		171	A3L4AA-6L9L	1SQA010494R0001	156	A3PBE1-600B-00	1SQA009156R0001	143
104PEG11T		171	A3L4AA-6L9M	1SQA010493R0001	156	A3PBE1-600B-01	1SQA009157R0001	143
104PEG12		171	A3L4AA-6L9R	1SQA009110R0001	156	A3PBE1-600B-10	1SQA009158R0001	143
104PEG12G		171	A3L4AA-6L9W	1SQA009111R0001	156	A3PBE1-600B-91	1SQA010754R0001	143
104PEG12K		171	A3L4AA-6LBG	1SQA009112R0001	155	A3PBE1-600G-00	1SQA009160R0001	143
104PEG13		171	A3L4AA-6LBM	1SQA009113R0001	155	A3PBE1-600G-01	1SQA009161R0001	143
104PEG13P		171	A3L4AA-6LBR	1SQA009114R0001	155	A3PBE1-600G-10	1SQA009162R0001	143
104PEG14		171	A3L4AA-6LBW	1SQA009115R0001	155	A3PBE1-600G-91	1SQA010755R0001	143
104PEG23		171	A3L4AA-6LLG	1SQA009116R0001	156	A3PBE1-600R-00	1SQA009164R0001	143
104PES11		171	A3L4AA-6LLM	1SQA009117R0001	156	A3PBE1-600R-01	1SQA009165R0001	143
104PES11C		171	A3L4AA-6LLR	1SQA009118R0001	156	A3PBE1-600R-10	1SQA009166R0001	143

Index

Type classification

Type	Order code	Page	Type	Order code	Page	Type	Order code	Page
A3PBE1-600R-91	1SQA010756R0001	143	A3PLE1-6L2M-00	1SQA009221R0001	144	A3PLE1-6LBM-91	1SQA010814R0001	146
A3PBE1-600Y-00	1SQA009168R0001	143	A3PLE1-6L2M-10	1SQA009222R0001	144	A3PLE1-6LBR-91	1SQA010815R0001	146
A3PBE1-600Y-10	1SQA009169R0001	143	A3PLE1-6L2M-91	1SQA010787R0001	144	A3PLE1-6LLC-91	1SQA010833R0001	146
A3PBE1-600Y-91	1SQA010757R0001	143	A3PLE1-6L2R-00	1SQA009224R0001	144	A3PLE1-6LLG-91	1SQA010816R0001	146
A3PBF1-6007-00	1SQA009171R0001	142	A3PLE1-6L2R-91	1SQA010788R0001	144	A3PLE1-6LLL-91	1SQA010832R0001	146
A3PBF1-6007-01	1SQA009172R0001	142	A3PLE1-6L2W-10	1SQA009226R0001	144	A3PLE1-6LLM-10	1SQA009265R0001	146
A3PBF1-6007-10	1SQA009173R0001	142	A3PLE1-6L2W-91	1SQA010789R0001	144	A3PLE1-6LLM-91	1SQA010817R0001	146
A3PBF1-6007-91	1SQA010758R0001	142	A3PLE1-6L4C-91	1SQA010790R0001	144	A3PLE1-6LLR-10	1SQA009267R0001	146
A3PBF1-600B-00	1SQA009175R0001	142	A3PLE1-6L4G-00	1SQA009229R0001	144	A3PLE1-6LLR-91	1SQA010818R0001	146
A3PBF1-600B-01	1SQA009176R0001	142	A3PLE1-6L4G-10	1SQA009230R0001	144	A3PLE1-6LLW-91	1SQA010819R0001	146
A3PBF1-600B-10	1SQA009177R0001	142	A3PLE1-6L4G-91	1SQA010791R0001	144	A3PLE1-6LUC-91	1SQA010831R0001	146
A3PBF1-600B-91	1SQA010759R0001	142	A3PLE1-6L4L-91	1SQA010792R0001	144	A3PLE1-6LUG-91	1SQA010826R0001	146
A3PBF1-600G-00	1SQA009179R0001	142	A3PLE1-6L4M-00	1SQA009233R0001	144	A3PLE1-6LUL-91	1SQA010830R0001	146
A3PBF1-600G-01	1SQA009180R0001	142	A3PLE1-6L4M-91	1SQA010793R0001	144	A3PLE1-6LUM-91	1SQA010827R0001	146
A3PBF1-600G-10	1SQA009181R0001	142	A3PLE1-6L4R-00	1SQA009235R0001	144	A3PLE1-6LUR-91	1SQA010828R0001	146
A3PBF1-600G-91	1SQA010760R0001	142	A3PLE1-6L4R-10	1SQA009236R0001	144	A3PLE1-6LUW-91	1SQA010829R0001	146
A3PBF1-600L-00	1SQA009183R0001	142	A3PLE1-6L4R-91	1SQA010794R0001	144	A3PP42-600B-01	1SQA009270R0001	147
A3PBF1-600L-10	1SQA009184R0001	142	A3PLE1-6L4W-10	1SQA009238R0001	144	A3PP42-600B-91	1SQA010842R0001	147
A3PBF1-600L-91	1SQA010761R0001	142	A3PLE1-6L4W-91	1SQA010795R0001	144	A3PP42-600G-01	1SQA009272R0001	147
A3PBF1-600R-00	1SQA009187R0001	142	A3PLE1-6L5C-91	1SQA010796R0001	145	A3PP42-600R-00	1SQA009273R0001	147
A3PBF1-600R-01	1SQA009188R0001	142	A3PLE1-6L5G-00	1SQA009241R0001	145	A3PP42-600R-01	1SQA009274R0001	147
A3PBF1-600R-10	1SQA009189R0001	142	A3PLE1-6L5G-10	1SQA009242R0001	145	A3PP42-600R-91	1SQA010843R0001	147
A3PBF1-600R-91	1SQA010762R0001	142	A3PLE1-6L5G-91	1SQA010797R0001	145	A3PP42-600Y-01	1SQA009276R0001	147
A3PBF1-600Y-00	1SQA009186R0001	142	A3PLE1-6L5L-91	1SQA010798R0001	145	A3PP42-6L2G-91	1SQA010850R0001	150
A3PBF1-600Y-01	1SQA009191R0001	142	A3PLE1-6L5M-10	1SQA009245R0001	145	A3PP42-6L2M-91	1SQA010851R0001	150
A3PBF1-600Y-10	1SQA009192R0001	142	A3PLE1-6L5M-91	1SQA010799R0001	145	A3PP42-6L2R-01	1SQA009279R0001	150
A3PBF1-600Y-91	1SQA010763R0001	142	A3PLE1-6L5R-10	1SQA009247R0001	145	A3PP42-6L2R-10	1SQA009280R0001	150
A3PBM1-600R-01	1SQA010177R0001	148	A3PLE1-6L5R-91	1SQA010800R0001	145	A3PP42-6L2R-91	1SQA010852R0001	150
A3PBN1-600N-00	1SQA010178R0001	154	A3PLE1-6L5W-91	1SQA010801R0001	145	A3PP42-6L4G-91	1SQA010853R0001	150
A3PL41-6L2G-91	1SQA010764R0001	150	A3PLE1-6L6C-91	1SQA010839R0001	145	A3PP42-6L4M-91	1SQA010854R0001	150
A3PL41-6L2M-91	1SQA010765R0001	150	A3PLE1-6L6G-91	1SQA010802R0001	145	A3PP42-6L4R-10	1SQA009284R0001	150
A3PL41-6L2R-91	1SQA010766R0001	150	A3PLE1-6L6L-91	1SQA010803R0001	145	A3PP42-6L4R-91	1SQA010855R0001	150
A3PL41-6L4G-91	1SQA010767R0001	150	A3PLE1-6L6M-91	1SQA010804R0001	145	A3PP42-6L5G-91	1SQA010856R0001	151
A3PL41-6L4M-91	1SQA010768R0001	150	A3PLE1-6L6R-91	1SQA010805R0001	145	A3PP42-6L5M-91	1SQA010857R0001	151
A3PL41-6L4R-91	1SQA010769R0001	150	A3PLE1-6L6W-91	1SQA010806R0001	145	A3PP42-6L5R-00	1SQA009288R0001	151
A3PL41-6L5G-91	1SQA010770R0001	150	A3PLE1-6L7C-91	1SQA010825R0001	145	A3PP42-6L5R-01	1SQA009289R0001	151
A3PL41-6L5R-00	1SQA009202R0001	150	A3PLE1-6L7G-91	1SQA010820R0001	145	A3PP42-6L5R-91	1SQA010858R0001	151
A3PL41-6L5R-91	1SQA010771R0001	150	A3PLE1-6L7L-91	1SQA010824R0001	145	A3PP42-6L8G-91	1SQA010859R0001	151
A3PL41-6L6R-91	1SQA010772R0001	150	A3PLE1-6L7M-91	1SQA010822R0001	145	A3PP42-6L9R-91	1SQA010860R0001	151
A3PL41-6L9R-91	1SQA010773R0001	150	A3PLE1-6L7R-91	1SQA010821R0001	145	A3PP42-6LLG-91	1SQA010861R0001	151
A3PL41-6LBG-91	1SQA010774R0001	150	A3PLE1-6L7W-91	1SQA010823R0001	145	A3PP42-6LLR-91	1SQA010862R0001	151
A3PL41-6LBM-91	1SQA010775R0001	150	A3PLE1-6L8C-91	1SQA010840R0001	145	A3PP43-600R-1N	1SQA010844R0001	147
A3PL41-6LBR-10	1SQA009208R0001	150	A3PLE1-6L8G-91	1SQA010807R0001	145	A3PP43-6L4G-1N	1SQA010863R0001	151
A3PL41-6LLR-91	1SQA010776R0001	150	A3PLE1-6L8L-91	1SQA010837R0001	145	A3PP43-6L4R-1N	1SQA010864R0001	151
A3PL61-6L2G-91	1SQA010777R0001	153	A3PLE1-6L8M-91	1SQA010808R0001	145	A3PP43-6L5R-1N	1SQA010865R0001	151
A3PL61-6L2R-91	1SQA010778R0001	153	A3PLE1-6L8R-91	1SQA010809R0001	145	A3PP43-6L8G-1N	1SQA010866R0001	151
A3PL61-6L4G-91	1SQA010779R0001	153	A3PLE1-6L8W-91	1SQA010835R0001	145	A3PP44-600R-1N	1SQA010845R0001	147
A3PL61-6L4R-91	1SQA010780R0001	153	A3PLE1-6L9C-91	1SQA010841R0001	145	A3PP44-6L2R-1N	1SQA010867R0001	151
A3PL61-6L5R-91	1SQA010781R0001	153	A3PLE1-6L9G-91	1SQA010810R0001	145	A3PP44-6L4R-1N	1SQA010868R0001	151
A3PL61-6LLM-91	1SQA010782R0001	153	A3PLE1-6L9L-91	1SQA010838R0001	145	A3PP44-6L5R-1N	1SQA010869R0001	151
A3PL61-6LLR-91	1SQA010783R0001	153	A3PLE1-6L9M-91	1SQA010834R0001	145	A3PP62-600R-00	1SQA009304R0001	149
A3PLE1-6L2C-91	1SQA010784R0001	144	A3PLE1-6L9R-91	1SQA010811R0001	145	A3PP62-600R-01	1SQA009305R0001	149
A3PLE1-6L2G-10	1SQA009218R0001	144	A3PLE1-6L9W-91	1SQA010836R0001	145	A3PP62-600R-91	1SQA010846R0001	149
A3PLE1-6L2G-91	1SQA010785R0001	144	A3PLE1-6LBG-91	1SQA010812R0001	146	A3PP62-6L2R-91	1SQA010870R0001	153
A3PLE1-6L2L-91	1SQA010786R0001	144	A3PLE1-6LBL-91	1SQA010813R0001	146	A3PPM2-600N-00	1SQA009308R0001	148

Index

Type classification

Type	Order code	Page	Type	Order code	Page	Type	Order code	Page
A3PPM2-600R-00	1SQA009309R0001	148	A3SKCF-6AA1-91	1SQA010963R0001	164	A3SLCA-6AAB-91	1SQA010909R0001	160
A3PPM2-600R-01	1SQA009310R0001	148	A3SKCG-6AA1-00	1SQA009358R0001	164	A3SLCB-6AAB-00	1SQA009395R0001	160
A3PPM2-600R-10	1SQA009311R0001	148	A3SKCG-6AA1-91	1SQA010964R0001	164	A3SLCB-6AAB-91	1SQA010910R0001	160
A3PPM2-600R-91	1SQA010847R0001	148	A3SKCH-6AA1-00	1SQA009360R0001	164	A3SLCC-6AAB-00	1SQA010445R0001	160
A3PPM2-6L2R-91	1SQA010871R0001	152	A3SKCH-6AA1-91	1SQA010965R0001	164	A3SLCC-6AAB-91	1SQA010911R0001	160
A3PPM2-6L4G-01	1SQA009314R0001	152	A3SKCT-6AA1-00	1SQA009362R0001	164	A3SLCD-6AAB-00	1SQA009398R0001	161
A3PPM2-6L4G-91	1SQA010872R0001	152	A3SKCU-6AA1-00	1SQA010414R0001	163	A3SLCD-6AAB-91	1SQA010912R0001	161
A3PPM2-6L4R-00	1SQA009316R0001	152	A3SKCU-6AA1-91	1SQA010966R0001	164	A3SLDA-6AAB-00	1SQA010446R0001	160
A3PPM2-6L4R-01	1SQA009317R0001	152	A3SKCV-6AA1-00	1SQA009364R0001	164	A3SLDA-6AAB-91	1SQA010913R0001	160
A3PPM2-6L4R-91	1SQA010873R0001	152	A3SKCV-6AA1-91	1SQA010967R0001	164	A3SLDC-6AAB-00	1SQA010447R0001	160
A3PPM2-6L4W-91	1SQA010874R0001	152	A3SKCY-6AA1-00	1SQA009366R0001	164	A3SLDC-6AAB-91	1SQA010914R0001	160
A3PPM2-6LBR-01	1SQA009320R0001	148	A3SKCY-6AA1-91	1SQA010968R0001	164	A3SLDD-6AAB-00	1SQA010448R0001	161
A3PPM3-600R-1N	1SQA010848R0001	152	A3SKCY-6AA1-92	1SQA011089R0001	164	A3SLDD-6AAB-91	1SQA010915R0001	161
A3PPM3-6L2R-1N	1SQA010875R0001	152	A3SKDE-6AA1-00	1SQA009368R0001	164	A3SLDD-6AAB-92	1SQA011099R0001	161
A3PPM3-6L4G-1N	1SQA010876R0001	152	A3SKDE-6AA1-91	1SQA010969R0001	163	A3SLEA-6AAB-00	1SQA010449R0001	160
A3PPM3-6L4M-1N	1SQA010877R0001	152	A3SKDE-6AA1-92	1SQA011090R0001	164	A3SLEA-6AAB-91	1SQA010916R0001	160
A3PPM3-6L4R-00	1SQA009325R0001	152	A3SKDF-6AA1-00	1SQA010415R0001	163	A3SLEA-6AAB-92	1SQA011100R0001	160
A3PPM3-6L4R-1N	1SQA010878R0001	152	A3SKDF-6AA1-91	1SQA010970R0001	164	A3SLEC-6AAB-00	1SQA010450R0001	160
A3PPM4-600R-1N	1SQA010849R0001	148	A3SKDH-6AA1-00	1SQA010416R0001	163	A3SLEC-6AAB-91	1SQA010917R0001	160
A3PPM4-6L2R-00	1SQA009328R0001	152	A3SKDH-6AA1-91	1SQA010971R0001	164	A3SLED-6AAB-00	1SQA010451R0001	161
A3PPM4-6L2R-1N	1SQA010879R0001	152	A3SKDV-6AA1-00	1SQA009372R0001	164	A3SLED-6AAB-91	1SQA010918R0001	161
A3PPM4-6L4R-1N	1SQA010880R0001	152	A3SKDY-6AA1-00	1SQA010417R0001	164	A3SLED-6AAB-92	1SQA011101R0001	161
A3PPN2-600N-00	1SQA010200R0001	154	A3SKDY-6AA1-91	1SQA010972R0001	164	A3SLGA-6AAB-00	1SQA009406R0001	160
A3PT4R-600N-00	1SQA009332R0001	154	A3SKDY-6AA1-92	1SQA011091R0001	163	A3SLGA-6AAB-91	1SQA010919R0001	160
A3PT4R-600R-00	1SQA009333R0001	147	A3SKEE-6AA1-00	1SQA010418R0001	163	A3SLGA-6AAB-92	1SQA011102R0001	160
A3PT4R-600R-01	1SQA009334R0001	147	A3SKEE-6AA1-91	1SQA010973R0001	163	A3SLGB-6AAB-00	1SQA010452R0001	160
A3PT4R-600R-10	1SQA009335R0001	147	A3SKEE-6AA1-92	1SQA011092R0001	163	A3SLGB-6AAB-91	1SQA010920R0001	160
A3PT4R-600R-91	1SQA010881R0001	147	A3SKET-6AA1-00	1SQA010419R0001	164	A3SLGB-6AAB-92	1SQA011103R0001	160
A3SKAE-6AA1-00	1SQA010170R0001	163	A3SKET-6AA1-91	1SQA010974R0001	164	A3SLGC-6AAB-00	1SQA010453R0001	160
A3SKAE-6AA1-10	1SQA010952R0001	163	A3SKET-6AA1-92	1SQA011093R0001	163	A3SLGC-6AAB-91	1SQA010921R0001	160
A3SKAE-6AA1-20	1SQA011084R0001	163	A3SKEV-6AA1-00	1SQA009376R0001	163	A3SLGC-6AAB-92	1SQA011104R0001	160
A3SKAE-6AA1-91	1SQA010953R0001	163	A3SKEV-6AA1-91	1SQA010975R0001	164	A3SLGD-6AAB-00	1SQA009410R0001	161
A3SKAF-6AA1-00	1SQA010171R0001	163	A3SKEV-6AA1-92	1SQA011094R0001	163	A3SLGD-6AAB-91	1SQA010922R0001	161
A3SKAF-6AA1-10	1SQA010954R0001	163	A3SKGE-6AA1-00	1SQA009378R0001	163	A3SLGD-6AAB-92	1SQA011105R0001	161
A3SKAF-6AA1-91	1SQA010955R0001	163	A3SKGE-6AA1-92	1SQA010976R0001	163	A3SLHA-6AAB-00	1SQA010454R0001	161
A3SKAG-6AA1-00	1SQA010210R0001	163	A3SKGG-6AA1-00	1SQA009380R0001	163	A3SLHA-6AAB-92	1SQA010923R0001	161
A3SKAG-6AA1-91	1SQA010956R0001	163	A3SKGH-6AA1-00	1SQA009381R0001	163	A3SSAA-6AAB-00	1SQA010161R0001	157
A3SKAX-6AA1-00	1SQA009345R0001	163	A3SKGH-6AA1-92	1SQA010977R0001	163	A3SSAA-6AAB-01	1SQA010924R0001	157
A3SKAX-6AA1-91	1SQA010957R0001	163	A3SLAA-6AAB-00	1SQA010202R0001	157	A3SSAA-6AAB-10	1SQA010925R0001	157
A3SKBE-6AA1-00	1SQA009347R0001	164	A3SLAA-6AAB-91	1SQA010903R0001	157	A3SSAA-6AAB-20	1SQA010984R0001	157
A3SKBE-6AA1-91	1SQA010958R0001	163	A3SLAC-6AAB-00	1SQA010442R0001	159	A3SSAA-6AAB-21	1SQA010985R0001	157
A3SKBE-6AA1-92	1SQA011085R0001	164	A3SLAC-6AAB-91	1SQA010904R0001	157	A3SSAA-6AAB-91	1SQA010926R0001	157
A3SKBF-6AA1-00	1SQA010412R0001	163	A3SLBA-6AAB-00	1SQA010443R0001	160	A3SSAA-6AAG-00	1SQA010204R0001	157
A3SKBF-6AA1-91	1SQA010959R0001	163	A3SLBA-6AAB-91	1SQA010905R0001	160	A3SSAA-6AAR-00	1SQA010205R0001	157
A3SKBF-6AA1-92	1SQA011086R0001	164	A3SLBA-6AAB-92	1SQA011095R0001	160	A3SSAA-6L2G-00	1SQA009417R0001	162
A3SKBH-6AA1-00	1SQA009350R0001	164	A3SLBB-6AAB-00	1SQA010444R0001	160	A3SSAA-6L2G-10	1SQA010882R0001	162
A3SKBH-6AA1-91	1SQA010960R0001	163	A3SLBB-6AAB-91	1SQA010906R0001	160	A3SSAA-6L2G-91	1SQA010883R0001	162
A3SKBH-6AA1-92	1SQA011087R0001	163	A3SLBB-6AAB-92	1SQA011096R0001	160	A3SSAA-6L2L-00	1SQA010421R0001	162
A3SKBV-6AA1-00	1SQA009352R0001	164	A3SLBC-6AAB-00	1SQA009389R0001	160	A3SSAA-6L2L-10	1SQA010884R0001	162
A3SKBV-6AA1-91	1SQA010961R0001	164	A3SLBC-6AAB-91	1SQA010907R0001	160	A3SSAA-6L2L-91	1SQA010885R0001	162
A3SKBV-6AA1-92	1SQA011088R0001	164	A3SLBC-6AAB-92	1SQA011097R0001	160	A3SSAA-6L2R-00	1SQA009422R0001	162
A3SKBY-6AA1-00	1SQA009354R0001	164	A3SLBD-6AAB-00	1SQA009391R0001	161	A3SSAA-6L2R-91	1SQA010886R0001	162
A3SKCE-6AA1-00	1SQA009355R0001	164	A3SLBD-6AAB-91	1SQA010908R0001	161	A3SSAA-6L4G-00	1SQA009424R0001	162
A3SKCE-6AA1-91	1SQA010962R0001	164	A3SLBD-6AAB-92	1SQA011098R0001	161	A3SSAA-6L4G-91	1SQA010887R0001	162
A3SKCF-6AA1-00	1SQA010413R0001	163	A3SLCA-6AAB-00	1SQA009393R0001	160	A3SSAA-6L4L-00	1SQA010424R0001	162

Index

Type classification

Type	Order code	Page	Type	Order code	Page	Type	Order code	Page
A3SSAA-6L4L-91	1SQA010888R0001	162	A3SSCC-6AAB-91	1SQA010937R0001	158	A3XC91	1SQA010978R0001	167
A3SSAA-6L4M-00	1SQA010425R0001	162	A3SSCC-6AAB-92	1SQA011111R0001	158	A3XGCC	1SQA010211R0001	168
A3SSAA-6L4M-91	1SQA010889R0001	162	A3SSCD-6AAB-00	1SQA010164R0001	159	A3XGCE	1SQA009500R0001	168
A3SSAA-6L4R-00	1SQA009428R0001	162	A3SSCD-6AAB-10	1SQA010938R0001	159	A3XGCF	1SQA009501R0001	168
A3SSAA-6L4R-91	1SQA010890R0001	162	A3SSCD-6AAB-91	1SQA010939R0001	159	A3XGGL	1SQA010180R0001	168
A3SSAA-6L5G-00	1SQA009430R0001	162	A3SSDA-6AAB-00	1SQA010209R0001	157	A3XGGP	1SQA010181R0001	168
A3SSAA-6L5G-91	1SQA010891R0001	162	A3SSDA-6AAB-91	1SQA010940R0001	157	A3XGLM	1SQA009502R0001	168
A3SSAA-6L5M-00	1SQA010428R0001	162	A3SSDB-6AAB-00	1SQA010440R0001	158	A3XGLN	1SQA009503R0001	168
A3SSAA-6L5M-91	1SQA010892R0001	162	A3SSDB-6AAB-91	1SQA010941R0001	158	A3XGLP	1SQA009504R0001	168
A3SSAA-6L5R-00	1SQA009433R0001	162	A3SSDC-6AAB-00	1SQA009474R0001	158	A3XGLW	1SQA010221R0001	170
A3SSAA-6L5R-91	1SQA010893R0001	162	A3SSDC-6AAB-91	1SQA010942R0001	158	A3XGPM	1SQA009506R0001	168
A3SSAA-6L6G-00	1SQA010430R0001	162	A3SSDC-6AAB-92	1SQA011113R0001	158	A3XK501	1SQA009581R0001	168
A3SSAA-6L6G-91	1SQA010894R0001	162	A3SSDD-6AAB-00	1SQA009476R0001	159	A3XL4LG	1SQA010212R0001	168
A3SSAC-6AAB-00	1SQA010203R0001	157	A3SSDD-6AAB-91	1SQA010943R0001	159	A3XL4LM	1SQA010215R0001	168
A3SSAC-6AAB-91	1SQA010927R0001	157	A3SSEA-6AAB-00	1SQA010175R0001	158	A3XL4LR	1SQA009510R0001	168
A3SSBA-6AAB-00	1SQA010172R0001	157	A3SSEA-6AAB-91	1SQA010944R0001	158	A3XL4N8	1SQA009511R0001	168
A3SSBA-6AAB-10	1SQA010928R0001	157	A3SSEB-6AAB-00	1SQA009480R0001	158	A3XL4NA	1SQA009512R0001	168
A3SSBA-6AAB-20	1SQA011106R0001	157	A3SSEC-6AAB-00	1SQA009481R0001	158	A3XL4NB	1SQA009513R0001	168
A3SSBA-6AAB-21	1SQA010993R0001	157	A3SSEC-6AAB-91	1SQA010945R0001	158	A3XL4NG	1SQA009514R0001	168
A3SSBA-6AAB-91	1SQA010929R0001	157	A3SSED-6AAB-00	1SQA009483R0001	159	A3XL4NL	1SQA009515R0001	168
A3SSBA-6AAB-92	1SQA011107R0001	157	A3SSED-6AAB-91	1SQA010946R0001	159	A3XL4NR	1SQA009516R0001	168
A3SSBA-6L2G-00	1SQA009441R0001	162	A3SSGA-6AAB-00	1SQA010165R0001	158	A3XL4NY	1SQA009517R0001	168
A3SSBA-6L2G-91	1SQA010999R0001	162	A3SSGA-6AAB-12	1SQA010991R0001	158	A3XL6LG	1SQA010409R0001	168
A3SSBA-6L2R-00	1SQA010432R0001	162	A3SSGA-6AAB-91	1SQA010947R0001	158	A3XL6LM	1SQA010411R0001	168
A3SSBA-6L2R-91	1SQA010895R0001	162	A3SSGB-6AAB-00	1SQA010441R0001	158	A3XL6LR	1SQA010410R0001	168
A3SSBB-6AAB-00	1SQA010206R0001	158	A3SSGB-6AAB-91	1SQA010948R0001	158	A3XL6N8	1SQA009518R0001	168
A3SSBB-6AAB-91	1SQA010930R0001	158	A3SSGB-6AAB-92	1SQA011117R0001	158	A3XL6NA	1SQA009519R0001	168
A3SSBB-6AAB-92	1SQA011108R0001	158	A3SSGC-6AAB-00	1SQA009488R0001	158	A3XL6NB	1SQA009520R0001	168
A3SSBC-6AAB-00	1SQA010207R0001	158	A3SSGC-6AAB-91	1SQA010949R0001	158	A3XL6NG	1SQA009521R0001	168
A3SSBC-6AAB-91	1SQA010931R0001	158	A3SSGC-6AAB-92	1SQA011118R0001	158	A3XL6NL	1SQA009522R0001	168
A3SSBC-6AAB-92	1SQA011109R0001	158	A3SSGD-6AAB-00	1SQA009490R0001	159	A3XL6NR	1SQA009523R0001	168
A3SSBD-6AAB-00	1SQA010173R0001	159	A3SSGD-6AAB-91	1SQA010950R0001	159	A3XL6NY	1SQA009524R0001	168
A3SSBD-6AAB-91	1SQA010932R0001	159	A3SSGD-6AAB-92	1SQA011119R0001	159	A3XLELC	1SQA009525R0001	168
A3SSBD-6AAB-92	1SQA010933R0001	159	A3SSHA-6AAB-00	1SQA010174R0001	159	A3XLELG	1SQA009526R0001	168
A3SSCA-6AAB-00	1SQA010162R0001	157	A3SSHA-6AAB-92	1SQA010951R0001	159	A3XLELL	1SQA009527R0001	168
A3SSCA-6AAB-10	1SQA010934R0001	157	A3XBL2G	1SQA010193R0001	170	A3XLELM	1SQA009528R0001	168
A3SSCA-6AAB-12	1SQA010989R0001	157	A3XBL2L	1SQA010401R0001	170	A3XLELR	1SQA009529R0001	168
A3SSCA-6AAB-91	1SQA010935R0001	157	A3XBL2R	1SQA010192R0001	170	A3XLELW	1SQA009530R0001	168
A3SSCA-6L2G-00	1SQA009453R0001	162	A3XBL2W	1SQA010194R0001	170	A3XLEN6	1SQA009531R0001	168
A3SSCA-6L2G-91	1SQA010896R0001	162	A3XBL2Y	1SQA010402R0001	170	A3XLEN8	1SQA009532R0001	168
A3SSCA-6L2M-00	1SQA010434R0001	162	A3XBL4G	1SQA010403R0001	170	A3XLENA	1SQA009533R0001	168
A3SSCA-6L2M-91	1SQA010897R0001	162	A3XBL4L	1SQA010197R0001	170	A3XLENB	1SQA010201R0001	170
A3SSCA-6L4G-00	1SQA009456R0001	162	A3XBL4R	1SQA010195R0001	170	A3XLENG	1SQA009534R0001	168
A3SSCA-6L4G-91	1SQA010898R0001	162	A3XBL4W	1SQA010198R0001	170	A3XLENL	1SQA009535R0001	168
A3SSCA-6L4L-00	1SQA010436R0001	162	A3XBL4Y	1SQA010196R0001	170	A3XLENR	1SQA009536R0001	168
A3SSCA-6L4L-91	1SQA010899R0001	162	A3XBL6G	1SQA010190R0001	170	A3XLENY	1SQA009537R0001	168
A3SSCA-6L4R-00	1SQA009459R0001	162	A3XBL6L	1SQA010405R0001	170	A3XLFN6	1SQA009538R0001	169
A3SSCA-6L4R-91	1SQA010900R0001	162	A3XBL6R	1SQA010189R0001	170	A3XLFN8	1SQA009539R0001	169
A3SSCA-6L5G-00	1SQA010438R0001	162	A3XBL6W	1SQA010191R0001	170	A3XLFNA	1SQA009540R0001	169
A3SSCA-6L5G-91	1SQA010901R0001	162	A3XBL6Y	1SQA010406R0001	170	A3XLFNB	1SQA009541R0001	169
A3SSCA-6L5R-00	1SQA009462R0001	162	A3XC01	1SQA009494R0001	167	A3XLFNG	1SQA009542R0001	169
A3SSCA-6L5R-91	1SQA010902R0001	162	A3XC0B	1SQA010979R0001	167	A3XLFNL	1SQA009543R0001	169
A3SSCB-6AAB-00	1SQA010163R0001	158	A3XC0M	1SQA010981R0001	167	A3XLFNR	1SQA009544R0001	169
A3SSCB-6AAB-91	1SQA010936R0001	158	A3XC0N	1SQA010980R0001	167	A3XLFNY	1SQA009545R0001	169
A3SSCC-6AAB-00	1SQA010208R0001	158	A3XC10	1SQA009496R0001	167	A3XLKLC	1SQA010218R0001	170

Index

Type classification

Type	Order code	Page	Type	Order code	Page	Type	Order code	Page
A3XLKLG	1SQA010213R0001	170	A3XMN8N	1SQA010187R0001	170	C2SS3-30B-10	1SFA619202R3016	107
A3XLKLL	1SQA010216R0001	170	A3XMN9N	1SQA010407R0001	170	C2SS3-30B-11	1SFA619202R3076	107
A3XLKLM	1SQA010217R0001	170	A3XXGC	1SQA009583R0001	170	C2SS3-30B-20	1SFA619202R3026	107
A3XLKLR	1SQA010214R0001	170	BA9S-110LEDB	1SFA187180R1045	78, 106	C2SS5-30B-10	1SFA619204R3016	107
A3XLKLW	1SQA010219R0001	170	BA9S-110LEDG	1SFA187181R1043	78, 106	C2SS5-30B-11	1SFA619204R3076	107
A3XLLLA	1SQA009546R0001	169	BA9S-110LEDL	1SFA187182R1044	78, 106	C3SS1-10B-11	1SFA619210R1076	108
A3XLLLC	1SQA009547R0001	169	BA9S-110LEDR	1SFA187183R1041	78, 106	C3SS1-10B-20	1SFA619210R1026	108
A3XLLLG	1SQA009548R0001	169	BA9S-110LEDV	1SFA187184R1042	78, 106	C3SS1-30B-11	1SFA619210R3076	108
A3XLLLL	1SQA009549R0001	169	BA9S-12LEDB	1SFA187165R1015	78, 106	C3SS1-30B-20	1SFA619210R3026	108
A3XLLLM	1SQA009550R0001	169	BA9S-12LEDG	1SFA187166R1013	78, 106	C3SS2-10B-11	1SFA619211R1076	108
A3XLLLR	1SQA009551R0001	169	BA9S-12LEDL	1SFA187167R1014	78, 106	C3SS2-10B-20	1SFA619211R1026	108
A3XLLLW	1SQA009552R0001	169	BA9S-12LEDR	1SFA187168R1011	78, 106	C3SS2-30B-11	1SFA619211R3076	108
A3XLMLG	1SQA009553R0001	169	BA9S-12LEDV	1SFA187169R1012	78, 106	C3SS2-30B-20	1SFA619211R3026	108
A3XLMLM	1SQA009554R0001	169	BA9S-130LED	1SFA187190R1045	78, 106	C3SS3-10B-11	1SFA619212R1076	108
A3XLMLR	1SQA009555R0001	169	BA9S-230LEDB	1SFA187185R1055	78, 106	C3SS3-10B-20	1SFA619212R1026	108
A3XLMLW	1SQA009556R0001	169	BA9S-230LEDG	1SFA187186R1053	78, 106	C3SS3-30B-11	1SFA619212R3076	108
A3XLMN1	1SQA009557R0001	169	BA9S-230LEDL	1SFA187187R1054	78, 106	C3SS3-30B-20	1SFA619212R3026	108
A3XLMNG	1SQA009558R0001	169	BA9S-230LEDR	1SFA187188R1051	78, 106	C3SS4-10B-11	1SFA619213R1076	108
A3XLMNR	1SQA009559R0001	169	BA9S-230LEDV	1SFA187189R1052	78, 106	C3SS4-10B-20	1SFA619213R1026	108
A3XLPOB	1SQA010223R0001	170	BA9S-24LEDB	1SFA187170R1025	78, 106	C3SS5-10B-11	1SFA619214R1076	108
A3XLPOC	1SQA010222R0001	170	BA9S-24LEDG	1SFA187171R1023	78, 106	C3SS5-10B-20	1SFA619214R1026	108
A3XLSG6	1SQA009560R0001	169	BA9S-24LEDL	1SFA187172R1024	78, 106	C3SS5-30B-20	1SFA619214R3026	108
A3XLSG8	1SQA009561R0001	169	BA9S-24LEDR	1SFA187173R1021	78, 106	C3SS7-10B-11	1SFA619216R1076	108
A3XLSGG	1SQA009562R0001	169	BA9S-24LEDV	1SFA187174R1022	78, 106	C3SS7-10B-20	1SFA619216R1026	108
A3XLSGL	1SQA009563R0001	169	BA9S-48LEDB	1SFA187175R1035	78, 106	C3SS7-30B-20	1SFA619216R3026	108
A3XLSGR	1SQA009564R0001	169	BA9S-48LEDG	1SFA187176R1033	78, 106	CA1-8053	1SFA619920R8053110, 123	
A3XLSGW	1SQA009565R0001	169	BA9S-48LEDL	1SFA187177R1034	78, 106	CA1-8054	1SFA619920R8054110, 123	
A3XLSGY	1SQA009566R0001	169	BA9S-48LEDR	1SFA187178R1031	78, 106	CA1-8077	1SFA619920R8077	110
A3XLSS6	1SQA009567R0001	169	BA9S-48LEDV	1SFA187179R1032	78, 106	CA1-8078	1SFA619920R8078	110
A3XLSS8	1SQA009568R0001	169	BA9S-60LED	1SFA187191R1045	78, 106	CA1-8080	1SFA619920R8080	111
A3XLSSG	1SQA009569R0001	169	BA9S-6LEDB	1SFA187160R1005	78, 106	CA6-1024	1SFA619930R1024	128
A3XLSSL	1SQA009570R0001	169	BA9S-6LEDG	1SFA187161R1003	78, 106	CA6-1026	1SFA619930R1026	128
A3XLSSR	1SQA009571R0001	169	BA9S-6LEDL	1SFA187162R1004	78, 106	CA6-1027	1SFA619930R1027	128
A3XLSSW	1SQA009572R0001	169	BA9S-6LEDR	1SFA187163R1001	78, 106	CB1-600G	1SFA619600R6002	109
A3XLSSY	1SQA009573R0001	169	BA9S-6LEDV	1SFA187164R1002	78, 106	CB1-601G	1SFA619600R6012	109
A3XLTLG	1SQA009574R0001	169	C2SS1-10B-01	1SFA619200R1046	107	CB1-602G	1SFA619600R6022	109
A3XLTLM	1SQA009575R0001	169	C2SS1-10B-10	1SFA619200R1016	107	CB1-603G	1SFA619600R6032	109
A3XLTLR	1SQA009576R0001	169	C2SS1-10B-11	1SFA619200R1076	107	CB1-610R	1SFA619600R6101	109
A3XLTNG	1SQA009577R0001	169	C2SS1-10B-20	1SFA619200R1026	107	CB1-610Y	1SFA619600R6103	109
A3XLTNR	1SQA009578R0001	169	C2SS1-30B-01	1SFA619200R3046	107	CB1-611R	1SFA619600R6111	109
A3XLTNY	1SQA009579R0001	169	C2SS1-30B-10	1SFA619200R3016	107	CB1-611Y	1SFA619600R6113	109
A3XMLLG	1SQA010183R0001	170	C2SS1-30B-11	1SFA619200R3076	107	CB1-612R	1SFA619600R6121	109
A3XMLLL	1SQA010480R0001	170	C2SS1-30B-20	1SFA619200R3026	107	CB1-612Y	1SFA619600R6123	109
A3XMLLR	1SQA010182R0001	170	C2SS2-10B-01	1SFA619201R1046	107	CB1-613R	1SFA619600R6131	109
A3XMLLW	1SQA010408R0001	170	C2SS2-10B-10	1SFA619201R1016	107	CB1-613Y	1SFA619600R6133	109
A3XMLLY	1SQA010184R0001	170	C2SS2-10B-11	1SFA619201R1076	107	CB1-620B	1SFA619600R6206	109
A3XMLUG	1SQA010185R0001	170	C2SS2-10B-20	1SFA619201R1026	107	CB1-621B	1SFA619600R6216	109
A3XMLUL	1SQA010458R0001	170	C2SS2-30B-01	1SFA619201R3046	107	CB1-622B	1SFA619600R6226	109
A3XMLUR	1SQA010456R0001	170	C2SS2-30B-10	1SFA619201R3016	107	CB1-623B	1SFA619600R6236	109
A3XMLUW	1SQA010455R0001	170	C2SS2-30B-11	1SFA619201R3076	107	CB1-630B	1SFA619600R6306	109
A3XMLUY	1SQA010459R0001	170	C2SS2-30B-20	1SFA619201R3026	107	CB1-631B	1SFA619600R6316	109
A3XMN4N	1SQA010179R0001	170	C2SS3-10B-01	1SFA619202R1046	107	CB1-632B	1SFA619600R6326	109
A3XMN5N	1SQA010404R0001	170	C2SS3-10B-10	1SFA619202R1016	107	CB1-633B	1SFA619600R6336	109
A3XMN6N	1SQA010186R0001	170	C2SS3-10B-11	1SFA619202R1076	107	CE3K1-10B-11	1SFA619502R1076	101
A3XMN7N	1SQA010188R0001	170	C2SS3-10B-20	1SFA619202R1026	107	CE3K1-10R-01	1SFA619502R1041	100

Index

Type classification

Type	Order code	Page	Type	Order code	Page	Type	Order code	Page
CE3K1-10R-02	1SFA619502R1051	100	CL2-506G	1SFA619403R5062	103	CP1-10W-10	1SFA619100R1015	91
CE3K1-10R-11	1SFA619502R1071	100	CL2-506L	1SFA619403R5064	103	CP1-10W-11	1SFA619100R1075	91
CE3P-10B-11	1SFA619501R1076	101	CL2-506R	1SFA619403R5061	103	CP1-10W-20	1SFA619100R1025	91
CE3P-10R-01	1SFA619501R1041	100	CL2-506Y	1SFA619403R5063	103	CP1-10Y-10	1SFA619100R1013	91
CE3P-10R-02	1SFA619501R1051	100	CL2-507C	1SFA619403R5078	103	CP1-10Y-11	1SFA619100R1073	91
CE3P-10R-11	1SFA619501R1071	100	CL2-507G	1SFA619403R5072	103	CP1-10Y-20	1SFA619100R1023	91
CE3T-10B-01	1SFA619500R1046	101	CL2-507L	1SFA619403R5074	103	CP1-11C-10	1SFA619100R1118	95
CE3T-10B-11	1SFA619500R1076	101	CL2-507R	1SFA619403R5071	103	CP1-11G-10	1SFA619100R1112	95
CE3T-10R-01	1SFA619500R1041	100	CL2-507Y	1SFA619403R5073	103	CP1-11L-10	1SFA619100R1114	95
CE3T-10R-02	1SFA619500R1051	100	CL2-513C	1SFA619403R5138	103	CP1-11R-01	1SFA619100R1141	95
CE3T-10R-11	1SFA619500R1071	100	CL2-513G	1SFA619403R5132	103	CP1-11R-10	1SFA619100R1111	95
CE4K1-10B-11	1SFA619552R1076	101	CL2-513L	1SFA619403R5134	103	CP1-11Y-10	1SFA619100R1113	95
CE4K1-10R-01	1SFA619552R1041	100	CL2-513R	1SFA619403R5131	103	CP1-12C-10	1SFA619100R1218	95
CE4K1-10R-02	1SFA619552R1051	100	CL2-513Y	1SFA619403R5133	103	CP1-12G-10	1SFA619100R1212	95
CE4K1-10R-11	1SFA619552R1071	100	CL2-515C	1SFA619403R5158	103	CP1-12L-10	1SFA619100R1214	95
CE4P-10B-11	1SFA619551R1076	101	CL2-515G	1SFA619403R5152	103	CP1-12R-01	1SFA619100R1241	95
CE4P-10R-01	1SFA619551R1041	100	CL2-515L	1SFA619403R5154	103	CP1-12R-10	1SFA619100R1211	95
CE4P-10R-02	1SFA619551R1051	100	CL2-515R	1SFA619403R5151	103	CP1-12Y-10	1SFA619100R1213	95
CE4P-10R-11	1SFA619551R1071	100	CL2-515Y	1SFA619403R5153	103	CP1-13C-10	1SFA619100R1318	95
CE4T-10B-01	1SFA619550R1046	101	CL2-520C	1SFA619403R5208	104	CP1-13G-10	1SFA619100R1312	95
CE4T-10B-02	1SFA619550R1056	101	CL2-520G	1SFA619403R5202	104	CP1-13L-10	1SFA619100R1314	95
CE4T-10B-10	1SFA619550R1016	101	CL2-520L	1SFA619403R5204	104	CP1-13R-01	1SFA619100R1341	95
CE4T-10B-11	1SFA619550R1076	101	CL2-520R	1SFA619403R5201	104	CP1-13R-10	1SFA619100R1311	95
CE4T-10B-20	1SFA619550R1026	101	CL2-520Y	1SFA619403R5203	104	CP1-13Y-10	1SFA619100R1313	95
CE4T-10R-01	1SFA619550R1041	100	CL2-523C	1SFA619403R5238	104	CP1-30B-01	1SFA619100R3046	91
CE4T-10R-02	1SFA619550R1051	100	CL2-523G	1SFA619403R5232	104	CP1-30B-02	1SFA619100R3056	91
CE4T-10R-11	1SFA619550R1071	100	CL2-523L	1SFA619403R5234	104	CP1-30B-10	1SFA619100R3016	91
CEP1-0	1SFA619811R1000	123	CL2-523R	1SFA619403R5231	104	CP1-30B-11	1SFA619100R3076	91
CEP1-1001	1SFA619811R1001	130	CL2-523Y	1SFA619403R5233	104	CP1-30B-20	1SFA619100R3026	91
CEP1-1002	1SFA619811R1002	130	CL2-542C	1SFA619403R5428	104	CP1-30G-10	1SFA619100R3012	91
CEP1-2001	1SFA619811R2001	130	CL2-542G	1SFA619403R5422	104	CP1-30G-11	1SFA619100R3072	91
CEP1-2002	1SFA619811R2002	130	CL2-542L	1SFA619403R5424	104	CP1-30G-20	1SFA619100R3022	91
CEPY1-0	1SFA619821R1000	123	CL2-542R	1SFA619403R5421	104	CP1-30L-10	1SFA619100R3014	91
CEPY1-1001	1SFA619821R1001	130	CL2-542Y	1SFA619403R5423	104	CP1-30L-11	1SFA619100R3074	91
CEPY1-1002	1SFA619821R1002	130	CL2-623C	1SFA619403R6238	104	CP1-30L-20	1SFA619100R3024	91
CEPY1-1006	1SFA619821R1006	130	CL2-623G	1SFA619403R6232	104	CP1-30R-01	1SFA619100R3041	91
CEPY1-2001	1SFA619821R2001	130	CL2-623L	1SFA619403R6234	104	CP1-30R-02	1SFA619100R3051	91
CEPY1-2002	1SFA619821R2002	130	CL2-623R	1SFA619403R6231	104	CP1-30R-10	1SFA619100R3011	91
CL-100C	1SFA619402R1008	105	CL2-623Y	1SFA619403R6233	104	CP1-30R-11	1SFA619100R3071	91
CL-100G	1SFA619402R1002	105	CP1-10B-01	1SFA619100R1046	91	CP1-30R-20	1SFA619100R3021	91
CL-100L	1SFA619402R1004	105	CP1-10B-02	1SFA619100R1056	91	CP1-30W-10	1SFA619100R3015	91
CL-100R	1SFA619402R1001	105	CP1-10B-10	1SFA619100R1016	91	CP1-30W-11	1SFA619100R3075	91
CL-100W	1SFA619402R1005	105	CP1-10B-11	1SFA619100R1076	91	CP1-30W-20	1SFA619100R3025	91
CL-100Y	1SFA619402R1003	105	CP1-10B-20	1SFA619100R1026	91	CP1-30Y-10	1SFA619100R3013	91
CL2-501C	1SFA619403R5018	103	CP1-10G-10	1SFA619100R1012	91	CP1-30Y-11	1SFA619100R3073	91
CL2-501G	1SFA619403R5012	103	CP1-10G-11	1SFA619100R1072	91	CP1-30Y-20	1SFA619100R3023	91
CL2-501L	1SFA619403R5014	103	CP1-10G-20	1SFA619100R1022	91	CP1-31C-10	1SFA619100R3118	95
CL2-501R	1SFA619403R5011	103	CP1-10L-10	1SFA619100R1014	91	CP1-31G-10	1SFA619100R3112	95
CL2-501Y	1SFA619403R5013	103	CP1-10L-11	1SFA619100R1074	91	CP1-31L-01	1SFA619100R3144	95
CL2-502C	1SFA619403R5028	103	CP1-10L-20	1SFA619100R1024	91	CP1-31L-10	1SFA619100R3114	95
CL2-502G	1SFA619403R5022	103	CP1-10R-01	1SFA619100R1041	91	CP1-31R-01	1SFA619100R3141	95
CL2-502L	1SFA619403R5024	103	CP1-10R-02	1SFA619100R1051	91	CP1-31R-10	1SFA619100R3111	95
CL2-502R	1SFA619403R5021	103	CP1-10R-10	1SFA619100R1011	91	CP1-31Y-10	1SFA619100R3113	95
CL2-502Y	1SFA619403R5023	103	CP1-10R-11	1SFA619100R1071	91	CP2-10B-01	1SFA619101R1046	92
CL2-506C	1SFA619403R5068	103	CP1-10R-20	1SFA619100R1021	91	CP2-10B-02	1SFA619101R1056	92

Index

Type classification

Type	Order code	Page	Type	Order code	Page	Type	Order code	Page
CP2-10B-10	1SFA619101R1016	92	CP2-30Y-20	1SFA619101R3023	92	CP3-30Y-20	1SFA619102R3023	93
CP2-10B-11	1SFA619101R1076	92	CP3-10B-01	1SFA619102R1046	93	CP4-10B-02	1SFA619103R1056	94
CP2-10B-20	1SFA619101R1026	92	CP3-10B-02	1SFA619102R1056	93	CP4-10B-10	1SFA619103R1016	94
CP2-10G-10	1SFA619101R1012	92	CP3-10B-10	1SFA619102R1016	93	CP4-10B-11	1SFA619103R1076	94
CP2-10G-11	1SFA619101R1072	92	CP3-10B-11	1SFA619102R1076	93	CP4-10B-20	1SFA619103R1026	94
CP2-10G-20	1SFA619101R1022	92	CP3-10B-20	1SFA619102R1026	93	CP4-10G-10	1SFA619103R1012	94
CP2-10L-10	1SFA619101R1014	92	CP3-10G-10	1SFA619102R1012	93	CP4-10G-11	1SFA619103R1072	94
CP2-10L-11	1SFA619101R1074	92	CP3-10G-11	1SFA619102R1072	93	CP4-10G-20	1SFA619103R1022	94
CP2-10L-20	1SFA619101R1024	92	CP3-10G-20	1SFA619102R1022	93	CP4-10L-10	1SFA619103R1014	94
CP2-10R-01	1SFA619101R1041	92	CP3-10L-10	1SFA619102R1014	93	CP4-10L-11	1SFA619103R1074	94
CP2-10R-02	1SFA619101R1051	92	CP3-10L-11	1SFA619102R1074	93	CP4-10R-01	1SFA619103R1041	94
CP2-10R-10	1SFA619101R1011	92	CP3-10L-20	1SFA619102R1024	93	CP4-10R-02	1SFA619103R1051	94
CP2-10R-11	1SFA619101R1071	92	CP3-10R-01	1SFA619102R1041	93	CP4-10R-10	1SFA619103R1011	94
CP2-10R-20	1SFA619101R1021	92	CP3-10R-02	1SFA619102R1051	93	CP4-10R-11	1SFA619103R1071	94
CP2-10W-10	1SFA619101R1015	92	CP3-10R-10	1SFA619102R1011	93	CP4-10R-20	1SFA619103R1021	94
CP2-10W-11	1SFA619101R1075	92	CP3-10R-11	1SFA619102R1071	93	CP4-10W-10	1SFA619103R1015	94
CP2-10W-20	1SFA619101R1025	92	CP3-10R-20	1SFA619102R1021	93	CP4-10W-11	1SFA619103R1075	94
CP2-10Y-10	1SFA619101R1013	92	CP3-10W-10	1SFA619102R1015	93	CP4-10Y-10	1SFA619103R1013	94
CP2-10Y-11	1SFA619101R1073	92	CP3-10W-11	1SFA619102R1075	93	CP4-10Y-11	1SFA619103R1073	94
CP2-10Y-20	1SFA619101R1023	92	CP3-10W-20	1SFA619102R1025	93	CP4-11C-10	1SFA619103R1118	98
CP2-11C-10	1SFA619101R1118	96	CP3-10Y-10	1SFA619102R1013	93	CP4-11G-10	1SFA619103R1112	98
CP2-11G-10	1SFA619101R1112	96	CP3-10Y-11	1SFA619102R1073	93	CP4-11L-10	1SFA619103R1114	98
CP2-11L-10	1SFA619101R1114	96	CP3-10Y-20	1SFA619102R1023	93	CP4-11R-01	1SFA619103R1141	98
CP2-11R-01	1SFA619101R1141	96	CP3-11C-10	1SFA619102R1118	97	CP4-11R-10	1SFA619103R1111	98
CP2-11R-10	1SFA619101R1111	96	CP3-11G-10	1SFA619102R1112	97	CP4-11Y-10	1SFA619103R1113	98
CP2-11Y-10	1SFA619101R1113	96	CP3-11L-10	1SFA619102R1114	97	CP4-12C-10	1SFA619103R1218	98
CP2-12C-10	1SFA619101R1218	96	CP3-11R-01	1SFA619102R1141	97	CP4-12G-10	1SFA619103R1212	98
CP2-12G-10	1SFA619101R1212	96	CP3-11R-10	1SFA619102R1111	97	CP4-12L-10	1SFA619103R1214	98
CP2-12L-10	1SFA619101R1214	96	CP3-11Y-10	1SFA619102R1113	97	CP4-12R-01	1SFA619103R1241	98
CP2-12R-01	1SFA619101R1241	96	CP3-12C-10	1SFA619102R1218	97	CP4-12R-10	1SFA619103R1211	98
CP2-12R-10	1SFA619101R1211	96	CP3-12G-10	1SFA619102R1212	97	CP4-12Y-10	1SFA619103R1213	98
CP2-12Y-10	1SFA619101R1213	96	CP3-12L-10	1SFA619102R1214	97	CP4-13C-10	1SFA619103R1318	98
CP2-13C-10	1SFA619101R1318	96	CP3-12R-01	1SFA619102R1241	97	CP4-13G-10	1SFA619103R1312	98
CP2-13G-10	1SFA619101R1312	96	CP3-12R-10	1SFA619102R1211	97	CP4-13L-10	1SFA619103R1314	98
CP2-13L-10	1SFA619101R1314	96	CP3-12Y-10	1SFA619102R1213	97	CP4-13R-01	1SFA619103R1341	98
CP2-13R-01	1SFA619101R1341	96	CP3-13C-10	1SFA619102R1318	97	CP4-13R-10	1SFA619103R1311	98
CP2-13R-10	1SFA619101R1311	96	CP3-13G-10	1SFA619102R1312	97	CP4-13Y-10	1SFA619103R1313	98
CP2-13Y-10	1SFA619101R1313	96	CP3-13L-10	1SFA619102R1314	97	CP4-30G-10	1SFA619103R3012	94
CP2-30B-01	1SFA619101R3046	92	CP3-13R-01	1SFA619102R1341	97	CP4-30G-20	1SFA619103R3022	94
CP2-30B-10	1SFA619101R3016	92	CP3-13R-10	1SFA619102R1311	97	CP4-30R-11	1SFA619103R3071	94
CP2-30B-11	1SFA619101R3076	92	CP3-13Y-10	1SFA619102R1313	97	CP6-10B-02	1SFA619105R1056	102
CP2-30B-20	1SFA619101R3026	92	CP3-30B-01	1SFA619102R3046	93	CP6-10B-11	1SFA619105R1076	102
CP2-30G-10	1SFA619101R3012	92	CP3-30B-10	1SFA619102R3016	93	CP6-10B-20	1SFA619105R1026	102
CP2-30G-11	1SFA619101R3072	92	CP3-30B-11	1SFA619102R3076	93	CP6-10G-11	1SFA619105R1072	102
CP2-30G-20	1SFA619101R3022	92	CP3-30B-20	1SFA619102R3026	93	CP6-10G-20	1SFA619105R1022	102
CP2-30L-10	1SFA619101R3014	92	CP3-30G-10	1SFA619102R3012	93	CP6-10R-02	1SFA619105R1051	102
CP2-30L-20	1SFA619101R3024	92	CP3-30G-11	1SFA619102R3072	93	CP6-10R-11	1SFA619105R1071	102
CP2-30R-01	1SFA619101R3041	92	CP3-30G-20	1SFA619102R3022	93	CP6-10R-20	1SFA619105R1021	102
CP2-30R-02	1SFA619101R3051	92	CP3-30L-20	1SFA619102R3024	93	CPM3-10B-11	1SFA619126R1076	99
CP2-30R-10	1SFA619101R3011	92	CP3-30R-01	1SFA619102R3041	93	CPM3-10G-11	1SFA619126R1072	99
CP2-30R-11	1SFA619101R3071	92	CP3-30R-11	1SFA619102R3071	93	CPM3-10L-11	1SFA619126R1074	99
CP2-30R-20	1SFA619101R3021	92	CP3-30R-20	1SFA619102R3021	93	CPM3-10R-11	1SFA619126R1071	99
CP2-30W-10	1SFA619101R3015	92	CP3-30W-10	1SFA619102R3015	93	CPM3-10Y-11	1SFA619126R1073	99
CP2-30W-20	1SFA619101R3025	92	CP3-30W-11	1SFA619102R3075	93	CR104PXN*B		172
CP2-30Y-11	1SFA619101R3073	92	CP3-30W-20	1SFA619102R3025	93	CR104PXN*BP006		172

Index

Type classification

Type	Order code	Page	Type	Order code	Page	Type	Order code	Page
CR104PXN*BP007		172	CR104PXN*BP077		173	KA70-1022	1SFA616077R1022	185
CR104PXN*BP008		172	CR104PXN*BP079		173	KA70-1023	1SFA616077R1023	185
CR104PXN*BP010		172	CR104PXN*BP080		173	KA70-1031	1SFA616077R1031	185
CR104PXN*BP011		172	CR104PXN*BP081		173	KA70-1032	1SFA616077R1032	185
CR104PXN*BP012		172	CR104PXN*BP082		173	KA70-1033	1SFA616077R1033	185
CR104PXN*BP013		172	CR104PXN*BP083		173	KA70-1034	1SFA616077R1034	185
CR104PXN*BP014		172	CR104PXN*BP084		172	KASB-1000	1SFA616087R1000	186
CR104PXN*BP017		172	CR104PXN*BP085		172	KB70-1201	1SFA616071R1201	184
CR104PXN*BP018		172	CR104PXN*BP086		173	KB70-3001	1SFA616071R3001	184
CR104PXN*BP019		172	CR104PXN*BP087		173	KB70-3101	1SFA616071R3101	184
CR104PXN*BP020		172	CR104PXN*R		172	KL70-305C	1SFA616070R3058	183
CR104PXN*BP021		172	CR104PXN*RP009		172	KL70-305G	1SFA616070R3052	183
CR104PXN*BP022		172	CR104PXN*RP040		172	KL70-305L	1SFA616070R3054	183
CR104PXN*BP023		172	CR104PXN*RP041		172	KL70-305R	1SFA616070R3051	183
CR104PXN*BP024		172	CR104PXN*RP048		172	KL70-305Y	1SFA616070R3053	183
CR104PXN*BP025		172	CR104PXN1BP090		173	KL70-306C	1SFA616070R3068	183
CR104PXN*BP026		172	CR104PXN1BP091		173	KL70-306G	1SFA616070R3062	183
CR104PXN*BP027		172	CR104PXN6E		172	KL70-306L	1SFA616070R3064	183
CR104PXN*BP028		172	CR104PXN6EP009		173	KL70-306R	1SFA616070R3061	183
CR104PXN*BP030		172	CR104PXN6EP092		173	KL70-306Y	1SFA616070R3063	183
CR104PXN*BP031		172	KA1-8005	1SFA616920R8005	25	KL70-307C	1SFA616070R3078	183
CR104PXN*BP032		172	KA1-8010	1SFA616920R8010	47, 110	KL70-307G	1SFA616070R3072	183
CR104PXN*BP033		172	KA1-8020	1SFA616920R8020	47, 110	KL70-307L	1SFA616070R3074	183
CR104PXN*BP034		172	KA1-8021	1SFA616920R8021	47, 110	KL70-307R	1SFA616070R3071	183
CR104PXN*BP036		172	KA1-8022	1SFA616920R8022	47, 110	KL70-307Y	1SFA616070R3073	183
CR104PXN*BP037		172	KA1-8024	1SFA616920R8024	47	KL70-342C	1SFA616070R3428	183
CR104PXN*BP038		172	KA1-8027	1SFA616920R8027	47, 110	KL70-342G	1SFA616070R3422	183
CR104PXN*BP043		172	KA1-8028	1SFA616920R8028	47, 110	KL70-342L	1SFA616070R3424	183
CR104PXN*BP047		172	KA1-8029	1SFA616920R8029	47, 110	KL70-342R	1SFA616070R3421	183
CR104PXN*BP050		173	KA1-8045	1SFA616920R8045	124	KL70-342Y	1SFA616070R3423	183
CR104PXN*BP051		173	KA1-8046	1SFA616920R8046	39	KL70-352C	1SFA616070R3528	183
CR104PXN*BP052		173	KA1-8047	1SFA616920R8047	39	KL70-352G	1SFA616070R3522	183
CR104PXN*BP053		173	KA1-8072	1SFA616920R8072	110	KL70-352L	1SFA616070R3524	183
CR104PXN*BP054		173	KA1-8073	1SFA616920R8073	47, 110	KL70-352R	1SFA616070R3521	183
CR104PXN*BP055		173	KA1-8080	1SFA616920R8080	47	KL70-352Y	1SFA616070R3523	183
CR104PXN*BP056		173	KA1-8120	1SFA616920R8120	135	KL70-401C	1SFA616070R4018	183
CR104PXN*BP057		173	KA1-8121	1SFA616920R8121	135	KL70-401G	1SFA616070R4012	183
CR104PXN*BP058		173	KA3-1018	1SFA616922R1018	186	KL70-401L	1SFA616070R4014	183
CR104PXN*BP059		173	KA3-1028	1SFA616922R1028	186	KL70-401R	1SFA616070R4011	183
CR104PXN*BP060		173	KA3-1118	1SFA616922R1118	186	KL70-401Y	1SFA616070R4013	183
CR104PXN*BP061		173	KA3-1148	1SFA616922R1148	186	KP6-40B	1SFA616105R4006	25
CR104PXN*BP062		173	KA4-1021	1SFA616924R1021	184	KP6-40G	1SFA616105R4002	25
CR104PXN*BP063		173	KA4-1022	1SFA616924R1022	184	KP6-40R	1SFA616105R4001	25
CR104PXN*BP064		173	KA4-1023	1SFA616924R1023	184	KPR1-100B	1SFA616160R1006	39
CR104PXN*BP065		173	KA4-1024	1SFA616924R1024	184	KPR1-100G	1SFA616160R1002	39
CR104PXN*BP066		173	KA4-1025	1SFA616924R1025	184	KPR1-100L	1SFA616160R1004	39
CR104PXN*BP067		173	KA4-1028	1SFA616923R1028	184	KPR1-100R	1SFA616160R1001	39
CR104PXN*BP068		173	KA4-1118	1SFA616923R1118	184	KPR1-100W	1SFA616160R1005	39
CR104PXN*BP069		173	KA4-1148	1SFA616923R1148	184	KPR1-100Y	1SFA616160R1003	39
CR104PXN*BP070		173	KA70-1001	1SFA616077R1001	185	KPR1-101L	1SFA616160R1014	39
CR104PXN*BP071		173	KA70-1002	1SFA616077R1002	185	KPR1-101W	1SFA616160R1015	39
CR104PXN*BP072		173	KA70-1011	1SFA616077R1011	185	KPR1-102G	1SFA616160R1022	39
CR104PXN*BP073		173	KA70-1012	1SFA616077R1012	185	KPR1-102W	1SFA616160R1025	39
CR104PXN*BP074		173	KA70-1013	1SFA616077R1013	185	KPR1-103W	1SFA616160R1035	39
CR104PXN*BP076		173	KA70-1021	1SFA616077R1021	185	KPR1-104B	1SFA616160R1046	39

Index

Type classification

Type	Order code	Page	Type	Order code	Page	Type	Order code	Page
KPR2-100B	1SFA616161R1006	39	KT70-1002	1SFA616075R1002	185	M2SS1-10B	1SFA611200R1006	26
KPR2-100R	1SFA616161R1001	39	KTC1-1019	1SFA616901R1019	138	M2SS1-10R	1SFA611200R1001	26
KPR2-105R	1SFA616161R1051	39	KTC1-1020	1SFA616901R1020	138	M2SS1-10U	1SFA611200R1007	26
KPR3-100B	1SFA616162R1006	40	KTC1-1025	1SFA616901R1025	138	M2SS1-11C	1SFA611200R1108	32
KPR3-100G	1SFA616162R1002	40	KTC1-1031	1SFA616901R1031	138	M2SS1-11G	1SFA611200R1102	32
KPR3-100L	1SFA616162R1004	40	KTC1-1039	1SFA616901R1039	138	M2SS1-11L	1SFA611200R1104	32
KPR3-100R	1SFA616162R1001	40	KTC15-1005	1SFA616915R1005	136	M2SS1-11R	1SFA611200R1101	32
KPR3-100W	1SFA616162R1005	40	KTC15-1038	1SFA616915R1038	136	M2SS1-11Y	1SFA611200R1103	32
KPR3-100Y	1SFA616162R1003	40	KTC15-6005	1SFA616915R6005	136	M2SS1-20B	1SFA611200R2006	26
KPR3-101L	1SFA616162R1014	40	KTC1-9000	1SFA616901R9000	138	M2SS1-20R	1SFA611200R2001	26
KPR3-101W	1SFA616162R1015	40	KTC1-9002	1SFA616901R9002	138	M2SS1-20U	1SFA611200R2007	26
KPR3-103G	1SFA616162R1032	40	KTC1-9003	1SFA616901R9003	138	M2SS1-21C	1SFA611200R2108	32
KPR3-104B	1SFA616162R1046	40	KTC1-9004	1SFA616901R9004	138	M2SS1-21G	1SFA611200R2102	32
KPR4-100B	1SFA616163R1006	40	KTC1-9005	1SFA616901R9005	138	M2SS1-21L	1SFA611200R2104	32
KPR4-100R	1SFA616163R1001	40	KTC1-9006	1SFA616901R9006	138	M2SS1-21R	1SFA611200R2101	32
KPR4-105B	1SFA616163R1056	40	KTC1-9009	1SFA616901R9009	138	M2SS1-21Y	1SFA611200R2103	32
KPR4-105R	1SFA616163R1051	40	KTC1-9016	1SFA616901R9016	138	M2SS1-30B	1SFA611200R3006	26
KS70-1104	1SFA616073R1104	184	KTC1-9020	1SFA616901R9020	138	M2SS1-30R	1SFA611200R3001	26
KS70-1204	1SFA616073R1204	184	KTC1-9026	1SFA616901R9026	138	M2SS1-31C	1SFA611200R3108	32
KS70-2002	1SFA616073R2002	184	KTC1-9028	1SFA616901R9028	138	M2SS1-31G	1SFA611200R3102	32
KS70-2004	1SFA616073R2004	184	KTC2-1020	1SFA616902R1020	138	M2SS1-31R	1SFA611200R3101	32
KS70-3004	1SFA616073R3004	184	KTC2-1025	1SFA616902R1025	138	M2SS1-31Y	1SFA611200R3103	32
KSB-113C	1SFA616080R1138	186	KTC2-1031	1SFA616902R1031	138	M2SS2-10B	1SFA611201R1006	26
KSB-113G	1SFA616080R1132	186	KTC2-9000	1SFA616902R9000	138	M2SS2-10R	1SFA611201R1001	26
KSB-113L	1SFA616080R1134	186	KTC2-9002	1SFA616902R9002	138	M2SS2-10U	1SFA611201R1007	26
KSB-113R	1SFA616080R1131	186	KTC2-9003	1SFA616902R9003	138	M2SS2-11C	1SFA611201R1108	32
KSB-113Y	1SFA616080R1133	186	KTC2-9005	1SFA616902R9005	138	M2SS2-11G	1SFA611201R1102	32
KSB-115G	1SFA616080R1152	186	KTC2-9006	1SFA616902R9006	138	M2SS2-11L	1SFA611201R1104	32
KSB-115R	1SFA616080R1151	186	KTC2-9015	1SFA616902R9015	138	M2SS2-11R	1SFA611201R1101	32
KSB-115Y	1SFA616080R1153	186	KTC2-9016	1SFA616902R9016	138	M2SS2-11Y	1SFA611201R1103	32
KSB-123C	1SFA616080R1238	186	KTC2-9028	1SFA616902R9028	138	M2SS2-20B	1SFA611201R2006	26
KSB-123G	1SFA616080R1232	186	KTC3-1019	1SFA616903R1019	138	M2SS2-20R	1SFA611201R2001	26
KSB-123L	1SFA616080R1234	186	KTC3-1020	1SFA616903R1020	138	M2SS2-20U	1SFA611201R2007	26
KSB-123R	1SFA616080R1231	186	KTC3-1039	1SFA616903R1039	138	M2SS2-21C	1SFA611201R2108	32
KSB-123Y	1SFA616080R1233	186	KTC3-9000	1SFA616903R9000	138	M2SS2-21G	1SFA611201R2102	32
KSB-203C	1SFA616080R2038	186	KTC3-9002	1SFA616903R9002	138	M2SS2-21L	1SFA611201R2104	32
KSB-203G	1SFA616080R2032	186	KTC4-1047	1SFA616904R1047	138	M2SS2-21R	1SFA611201R2101	32
KSB-203L	1SFA616080R2034	186	KTC4-9004	1SFA616904R9004	138	M2SS2-21Y	1SFA611201R2103	32
KSB-203R	1SFA616080R2031	186	KTC5-1040	1SFA616905R1040	138	M2SS2-30B	1SFA611201R3006	26
KSB-203Y	1SFA616080R2033	186	KTC5-1047	1SFA616905R1047	138	M2SS2-30R	1SFA611201R3001	26
KSB-305G	1SFA616080R3052	186	KTC5-9004	1SFA616905R9004	138	M2SS2-30U	1SFA611201R3007	26
KSB-305R	1SFA616080R3051	186	KTC6-1039	1SFA616906R1039	138	M2SS2-31C	1SFA611201R3108	32
KSB-305Y	1SFA616080R3053	186	KTC6-1042	1SFA616906R1042	138	M2SS2-31G	1SFA611201R3102	32
KSB-306G	1SFA616080R3062	186	KTC6-9002	1SFA616906R9002	138	M2SS2-31L	1SFA611201R3104	32
KSB-306R	1SFA616080R3061	186	KTC8-1039	1SFA616908R1039	138	M2SS2-31R	1SFA611201R3101	32
KSB-306Y	1SFA616080R3063	186	KTC8-9002	1SFA616908R9002	138	M2SS2-31Y	1SFA611201R3103	32
KSB-307G	1SFA616080R3072	186	KTC8-9003	1SFA616908R9003	138	M2SS3-10B	1SFA611202R1006	26
KSB-307R	1SFA616080R3071	186	KTC8-9004	1SFA616908R9004	138	M2SS3-10R	1SFA611202R1001	26
KSB-307Y	1SFA616080R3073	186	KTC8-9005	1SFA616908R9005	138	M2SS3-10U	1SFA611202R1007	26
KSB-401C	1SFA616080R4018	186	KTC8-9011	1SFA616908R9011	138	M2SS3-11C	1SFA611202R1108	32
KSB-401G	1SFA616080R4012	186	KTC8-9012	1SFA616908R9012	138	M2SS3-11G	1SFA611202R1102	32
KSB-401L	1SFA616080R4014	186	KTC8-9015	1SFA616908R9015	138	M2SS3-11L	1SFA611202R1104	32
KSB-401R	1SFA616080R4011	186	KTC8-9016	1SFA616908R9016	138	M2SS3-11R	1SFA611202R1101	32
KSB-401Y	1SFA616080R4013	186	KTC8-9018	1SFA616908R9018	138	M2SS3-11Y	1SFA611202R1103	32
KT70-1001	1SFA616075R1001	185	KTC8-9026	1SFA616908R9026	138	M2SS3-20B	1SFA611202R2006	26

Index

Type classification

Type	Order code	Page	Type	Order code	Page	Type	Order code	Page
M2SS3-20R	1SFA611202R2001	26	M2SS6-11C	1SFA611205R1108	33	M3SS1-21Y	1SFA611210R2103	34
M2SS3-20U	1SFA611202R2007	26	M2SS6-11G	1SFA611205R1102	33	M3SS1-30B	1SFA611210R3006	28
M2SS3-21G	1SFA611202R2102	32	M2SS6-11L	1SFA611205R1104	33	M3SS1-30R	1SFA611210R3001	28
M2SS3-21R	1SFA611202R2101	32	M2SS6-11R	1SFA611205R1101	33	M3SS1-30U	1SFA611210R3007	28
M2SS3-30B	1SFA611202R3006	26	M2SS6-11Y	1SFA611205R1103	33	M3SS1-31C	1SFA611210R3108	34
M2SS3-30R	1SFA611202R3001	26	M2SS6-20B	1SFA611205R2006	27	M3SS1-31G	1SFA611210R3102	34
M2SS3-31C	1SFA611202R3108	32	M2SS6-20U	1SFA611205R2007	27	M3SS1-31L	1SFA611210R3104	34
M2SS3-31G	1SFA611202R3102	32	M2SS6-30B	1SFA611205R3006	27	M3SS1-31R	1SFA611210R3101	34
M2SS3-31R	1SFA611202R3101	32	M2SS6-31C	1SFA611205R3108	33	M3SS1-31Y	1SFA611210R3103	34
M2SS3-31Y	1SFA611202R3103	32	M2SSK1-101	1SFA611280R1001	36	M3SS2-10B	1SFA611211R1006	28
M2SS4-10B	1SFA611203R1006	27	M2SSK1-102	1SFA611280R1002	36	M3SS2-10R	1SFA611211R1001	28
M2SS4-10R	1SFA611203R1001	27	M2SSK1-103	1SFA611280R1003	36	M3SS2-10U	1SFA611211R1007	28
M2SS4-10U	1SFA611203R1007	27	M2SSK1-104	1SFA611280R1004	36	M3SS2-11C	1SFA611211R1108	34
M2SS4-11C	1SFA611203R1108	33	M2SSK1-201	1SFA611280R2001	36	M3SS2-11G	1SFA611211R1102	34
M2SS4-11G	1SFA611203R1102	33	M2SSK1-301	1SFA611280R3001	36	M3SS2-11L	1SFA611211R1104	34
M2SS4-11L	1SFA611203R1104	33	M2SSK1-302	1SFA611280R3002	36	M3SS2-11R	1SFA611211R1101	34
M2SS4-11R	1SFA611203R1101	33	M2SSK1-303	1SFA611280R3003	36	M3SS2-11Y	1SFA611211R1103	34
M2SS4-11Y	1SFA611203R1103	33	M2SSK1-304	1SFA611280R3004	36	M3SS2-20B	1SFA611211R2006	28
M2SS4-20B	1SFA611203R2006	27	M2SSK2-101	1SFA611281R1001	36	M3SS2-20R	1SFA611211R2001	28
M2SS4-20R	1SFA611203R2001	27	M2SSK2-102	1SFA611281R1002	36	M3SS2-20U	1SFA611211R2007	28
M2SS4-20U	1SFA611203R2007	27	M2SSK2-103	1SFA611281R1003	36	M3SS2-21C	1SFA611211R2108	34
M2SS4-21C	1SFA611203R2108	33	M2SSK2-104	1SFA611281R1004	36	M3SS2-21G	1SFA611211R2102	34
M2SS4-21G	1SFA611203R2102	33	M2SSK2-201	1SFA611281R2001	36	M3SS2-21L	1SFA611211R2104	34
M2SS4-21L	1SFA611203R2104	33	M2SSK2-203	1SFA611281R2003	36	M3SS2-21R	1SFA611211R2101	34
M2SS4-21R	1SFA611203R2101	33	M2SSK2-301	1SFA611281R3001	36	M3SS2-21Y	1SFA611211R2103	34
M2SS4-21Y	1SFA611203R2103	33	M2SSK2-302	1SFA611281R3002	36	M3SS2-30B	1SFA611211R3006	28
M2SS4-30B	1SFA611203R3006	27	M2SSK2-303	1SFA611281R3003	36	M3SS2-30R	1SFA611211R3001	28
M2SS4-31C	1SFA611203R3108	33	M2SSK2-304	1SFA611281R3004	36	M3SS2-31C	1SFA611211R3108	34
M2SS4-31G	1SFA611203R3102	33	M2SSK3-101	1SFA611282R1001	36	M3SS2-31G	1SFA611211R3102	34
M2SS5-10B	1SFA611204R1006	27	M2SSK3-102	1SFA611282R1002	36	M3SS2-31L	1SFA611211R3104	34
M2SS5-10R	1SFA611204R1001	27	M2SSK3-103	1SFA611282R1003	36	M3SS2-31R	1SFA611211R3101	34
M2SS5-10U	1SFA611204R1007	27	M2SSK3-104	1SFA611282R1004	36	M3SS3-10B	1SFA611212R1006	28
M2SS5-11C	1SFA611204R1108	33	M2SSK3-301	1SFA611282R3001	36	M3SS3-10R	1SFA611212R1001	28
M2SS5-11G	1SFA611204R1102	33	M2SSK3-302	1SFA611282R3002	36	M3SS3-10U	1SFA611212R1007	28
M2SS5-11L	1SFA611204R1104	33	M2SSK3-303	1SFA611282R3003	36	M3SS3-11C	1SFA611212R1108	34
M2SS5-11R	1SFA611204R1101	33	M2SSK3-304	1SFA611282R3004	36	M3SS3-11G	1SFA611212R1102	34
M2SS5-11Y	1SFA611204R1103	33	M2SSK4-101	1SFA611289R1001	36	M3SS3-11L	1SFA611212R1104	34
M2SS5-20B	1SFA611204R2006	27	M2SSV1-10B	1SFA611220R1006	129	M3SS3-11R	1SFA611212R1101	34
M2SS5-20R	1SFA611204R2001	27	M2SSV2-10B	1SFA611221R1006	129	M3SS3-11Y	1SFA611212R1103	34
M2SS5-20U	1SFA611204R2007	27	M2SSV3-10B	1SFA611222R1006	129	M3SS3-20B	1SFA611212R2006	28
M2SS5-21C	1SFA611204R2108	33	M3SS1-10B	1SFA611210R1006	28	M3SS3-20U	1SFA611212R2007	28
M2SS5-21G	1SFA611204R2102	33	M3SS1-10R	1SFA611210R1001	28	M3SS3-21C	1SFA611212R2108	34
M2SS5-21L	1SFA611204R2104	33	M3SS1-10U	1SFA611210R1007	28	M3SS3-21G	1SFA611212R2102	34
M2SS5-21R	1SFA611204R2101	33	M3SS1-11C	1SFA611210R1108	34	M3SS3-21R	1SFA611212R2101	34
M2SS5-21Y	1SFA611204R2103	33	M3SS1-11G	1SFA611210R1102	34	M3SS3-30B	1SFA611212R3006	28
M2SS5-30B	1SFA611204R3006	27	M3SS1-11L	1SFA611210R1104	34	M3SS3-31C	1SFA611212R3108	34
M2SS5-30R	1SFA611204R3001	27	M3SS1-11R	1SFA611210R1101	34	M3SS4-10B	1SFA611213R1006	29
M2SS5-31C	1SFA611204R3108	33	M3SS1-11Y	1SFA611210R1103	34	M3SS4-10R	1SFA611213R1001	29
M2SS5-31G	1SFA611204R3102	33	M3SS1-20B	1SFA611210R2006	28	M3SS4-10U	1SFA611213R1007	29
M2SS5-31L	1SFA611204R3104	33	M3SS1-20R	1SFA611210R2001	28	M3SS4-11C	1SFA611213R1108	35
M2SS5-31R	1SFA611204R3101	33	M3SS1-20U	1SFA611210R2007	28	M3SS4-11G	1SFA611213R1102	35
M2SS5-31Y	1SFA611204R3103	33	M3SS1-21C	1SFA611210R2108	34	M3SS4-11L	1SFA611213R1104	35
M2SS6-10B	1SFA611205R1006	27	M3SS1-21G	1SFA611210R2102	34	M3SS4-11R	1SFA611213R1101	35
M2SS6-10R	1SFA611205R1001	27	M3SS1-21L	1SFA611210R2104	34	M3SS4-11Y	1SFA611213R1103	35
M2SS6-10U	1SFA611205R1007	27	M3SS1-21R	1SFA611210R2101	34	M3SS4-20B	1SFA611213R2006	29

Index

Type classification

Type	Order code	Page	Type	Order code	Page	Type	Order code	Page
M3SS4-20R	1SFA611213R2001	29	M3SS7-30B	1SFA611216R3006	28	M3SSV2-10B	1SFA611231R1006	129
M3SS4-20U	1SFA611213R2007	29	M3SS7-31C	1SFA611216R3108	34	M3SSV3-10B	1SFA611232R1006	129
M3SS4-21C	1SFA611213R2108	35	M3SS7-31G	1SFA611216R3102	34	M4SS1-10B	1SFA611290R4006	31
M3SS4-21G	1SFA611213R2102	35	M3SS8-10B	1SFA611217R1006	29	M4SS1-10R	1SFA611290R4001	31
M3SS4-21L	1SFA611213R2104	35	M3SS8-10R	1SFA611217R1001	29	M4SS1-30B	1SFA611290R6006	31
M3SS4-21R	1SFA611213R2101	35	M3SS8-10U	1SFA611217R1007	29	M4SS1-30R	1SFA611290R6001	31
M3SS4-21Y	1SFA611213R2103	35	M3SS8-11C	1SFA611217R1108	35	M4SS2-10B	1SFA611291R4006	31
M3SS4-30B	1SFA611213R3006	29	M3SS8-11G	1SFA611217R1102	35	M4SS2-10R	1SFA611291R4001	31
M3SS4-31C	1SFA611213R3108	35	M3SS8-11L	1SFA611217R1104	35	M4SS2-30B	1SFA611291R6006	31
M3SS4-31R	1SFA611213R3101	35	M3SS8-11R	1SFA611217R1101	35	M4SS2-30R	1SFA611291R6001	31
M3SS5-10B	1SFA611214R1006	29	M3SS8-11Y	1SFA611217R1103	35	MA16-1000	1SFA611940R1000	137
M3SS5-10R	1SFA611214R1001	29	M3SS8-20B	1SFA611217R2006	29	MA16-1001	1SFA611940R1001	137
M3SS5-10U	1SFA611214R1007	29	M3SS8-21G	1SFA611217R2102	35	MA1-8001	1SFA611920R8001	48
M3SS5-11C	1SFA611214R1108	35	M3SS8-21R	1SFA611217R2101	35	MA1-8002	1SFA611920R8002	47, 110
M3SS5-11G	1SFA611214R1102	35	M3SS8-30B	1SFA611217R3006	29	MA1-8015	1SFA611920R8015	48, 111
M3SS5-11L	1SFA611214R1104	35	M3SS8-31G	1SFA611217R3102	35	MA1-8019	1SFA611920R8019	48, 111
M3SS5-11R	1SFA611214R1101	35	M3SS8-31R	1SFA611217R3101	35	MA1-8052	1SFA611920R8052	47, 110
M3SS5-11Y	1SFA611214R1103	35	M3SSC1-10B	1SFA611250R1006	30	MA1-8053	1SFA611920R8053	47, 123
M3SS5-20B	1SFA611214R2006	29	M3SSC1-30B	1SFA611250R3006	30	MA1-8074	1SFA611920R8074	47, 110
M3SS5-20U	1SFA611214R2007	29	M3SSC2-10B	1SFA611251R1006	30	MA1-8126	1SFA611920R8126	47
M3SS5-21C	1SFA611214R2108	35	M3SSC2-30B	1SFA611251R3006	30	MA1-8128	1SFA611920R8128	47, 123
M3SS5-21G	1SFA611214R2102	35	M3SSC3-10B	1SFA611252R1006	30	MA1-8129	1SFA611920R8129	124
M3SS5-21L	1SFA611214R2104	35	M3SSC3-30B	1SFA611252R3006	30	MA1-8130	1SFA611920R8130	124
M3SS5-21R	1SFA611214R2101	35	M3SSC7-10B	1SFA611256R1006	30	MA1-8131	1SFA611920R8131	48
M3SS5-21Y	1SFA611214R2103	35	M3SSC7-30B	1SFA611256R3006	30	MA1-8136	1SFA611920R8136	124
M3SS5-30B	1SFA611214R3006	29	M3SSK1-101	1SFA611283R1001	37	MA1-8137	1SFA611920R8137	41
M3SS5-30R	1SFA611214R3001	29	M3SSK1-102	1SFA611283R1002	37	MA1-8138	1SFA611920R8138	41
M3SS5-31C	1SFA611214R3108	35	M3SSK1-103	1SFA611283R1003	37	MA1-8139	1SFA611920R8139	19–21
M3SS5-31G	1SFA611214R3102	35	M3SSK1-104	1SFA611283R1004	37	MA1-8149	1SFA611920R8149	48, 111
M3SS6-10B	1SFA611215R1006	29	M3SSK1-201	1SFA611283R2001	37	MA1-8150	1SFA611920H8150	124
M3SS6-10R	1SFA611215R1001	29	M3SSK1-301	1SFA611283R3001	37	MA1-8152	1SFA611920R8152	47, 110
M3SS6-10U	1SFA611215R1007	29	M3SSK1-302	1SFA611283R3002	37	MA1-8153	1SFA611920R8153	47, 110
M3SS6-11C	1SFA611215R1108	35	M3SSK1-303	1SFA611283R3003	37	MA1-8160	1SFA611920R8160	124
M3SS6-11G	1SFA611215R1102	35	M3SSK1-304	1SFA611283R3004	37	MA5-3001	1SFA611925R3001	124
M3SS6-11L	1SFA611215R1104	35	M3SSK2-101	1SFA611284R1001	37	MA5-3002	1SFA611925R3002	124
M3SS6-11R	1SFA611215R1101	35	M3SSK2-102	1SFA611284R1002	37	MA5-3003	1SFA611925R3003	124
M3SS6-11Y	1SFA611215R1103	35	M3SSK2-103	1SFA611284R1003	37	MA5-3004	1SFA611925R3004	124
M3SS6-20B	1SFA611215R2006	29	M3SSK2-104	1SFA611284R1004	37	MA5-3006	1SFA611925R3006	124
M3SS6-21G	1SFA611215R2102	35	M3SSK2-301	1SFA611284R3001	37	MA5-3007	1SFA611925R3007	124
M3SS6-21Y	1SFA611215R2103	35	M3SSK3-101	1SFA611285R1001	37	MA5-3008	1SFA611925R3008	124
M3SS6-30B	1SFA611215R3006	29	M3SSK3-102	1SFA611285R1002	37	MA5-3009	1SFA611925R3009	124
M3SS6-31L	1SFA611215R3104	35	M3SSK3-103	1SFA611285R1003	37	MA5-3010	1SFA611925R3010	124
M3SS7-10B	1SFA611216R1006	28	M3SSK3-104	1SFA611285R1004	37	MA6-1000	1SFA611930R1000	128
M3SS7-10R	1SFA611216R1001	28	M3SSK3-301	1SFA611285R3001	37	MA6-1002	1SFA611930R1002	128
M3SS7-10U	1SFA611216R1007	28	M3SSK3-302	1SFA611285R3002	37	MA6-1003	1SFA611930R1003	128
M3SS7-11C	1SFA611216R1108	34	M3SSK3-303	1SFA611285R3003	37	MA6-1004	1SFA611930R1004	128
M3SS7-11G	1SFA611216R1102	34	M3SSK4-101	1SFA611286R1001	37	MA6-1005	1SFA611930R1005	128
M3SS7-11L	1SFA611216R1104	34	M3SSK4-102	1SFA611286R1002	37	MA6-1006	1SFA611930R1006	128
M3SS7-11R	1SFA611216R1101	34	M3SSK4-301	1SFA611286R3001	37	MA6-1007	1SFA611930R1007	128
M3SS7-11Y	1SFA611216R1103	34	M3SSK4-302	1SFA611286R3002	37	MA6-1008	1SFA611930R1008	128
M3SS7-20B	1SFA611216R2006	28	M3SSK5-101	1SFA611287R1001	37	MA6-1009	1SFA611930R1009	128
M3SS7-20R	1SFA611216R2001	28	M3SSK5-103	1SFA611287R1003	37	MA6-1010	1SFA611930R1010	136
M3SS7-21C	1SFA611216R2108	34	M3SSK5-301	1SFA611287R3001	37	MA6-1011	1SFA611930R1011	136
M3SS7-21G	1SFA611216R2102	34	M3SSK6-101	1SFA611288R1001	37	MA6-1012	1SFA611930R1012	128
M3SS7-21L	1SFA611216R2104	34	M3SSV1-10B	1SFA611230R1006	129	MA6-1013	1SFA611930R1013	128

Index

Type classification

Type	Order code	Page	Type	Order code	Page	Type	Order code	Page
MA6-1014	1SFA611930R1014	128	MA6-1101	1SFA611930R1101	128	MCB-20G	1SFA611610R1102	44
MA6-1015	1SFA611930R1015	128	MA6-1102	1SFA611930R1102	128	MCBH-00	1SFA611605R1100	44
MA6-1016	1SFA611930R1016	128	MA6-1103	1SFA611930R1103	128	MCBH5-00	1SFA611601R1100	44
MA6-1017	1SFA611930R1017	136	MA6-1104	1SFA611930R1104	128	MCBL-01	1SFA611612R1001	44
MA6-1018	1SFA611930R1018	136	MA6-1118	1SFA611930R1118	135	MCBL-10	1SFA611612R1010	44
MA6-1019	1SFA611930R1019	136	MA6-1130	1SFA611930R1130	127	MDB-2	1SFA611630R1002	48
MA6-1020	1SFA611930R1020	136	MA6-1131	1SFA611930R1131	127	MEP1-0	1SFA611811R1000	123
MA6-1021	1SFA611930R1021	136	MA6-1132	1SFA611930R1132	127	MEP2-0	1SFA611812R1000	123
MA6-1022	1SFA611930R1022	136	MA6-1133	1SFA611930R1133	127	MEP2-1001	1SFA611812R1001	130
MA6-1023	1SFA611930R1023	136	MA6-1134	1SFA611930R1134	127	MEP3-0	1SFA611813R1000	123
MA6-1024	1SFA611930R1024	128	MA6-1135	1SFA611930R1135	127	MEP4-0	1SFA611814R1000	123
MA6-1025	1SFA611930R1025	128	MA6-1136	1SFA611930R1136	127	MEP6-0	1SFA611816R1000	123
MA6-1026	1SFA611930R1026	128	MA6-1137	1SFA611930R1137	127	MEPY1-0	1SFA611821R1000	123
MA6-1027	1SFA611930R1027	128	MA6-1138	1SFA611930R1138	127	MEPY1-1035	1SFA611821R1035	130
MA6-1028	1SFA611930R1028	128	MA6-1139	1SFA611930R1139	127	MEPY1-1040	1SFA611821R1040	130
MA6-1029	1SFA611930R1029	128	MA6-1140	1SFA611930R1140	127	MEPY1-1041	1SFA611821R1041	130
MA6-1032	1SFA611930R1032	135	MA6-1141	1SFA611930R1141	127	MEPY1-1042	1SFA611821R1042	130
MA6-1033	1SFA611930R1033	135	MA6-1152	1SFA611930R1152	127	MJS10-60B	1SFA611710R6006	41
MA6-1034	1SFA611930R1034	135	MA6-1153	1SFA611930R1153	127	MJS11-40B	1SFA611711R4006	41
MA6-1035	1SFA611930R1035	135	MA6-1170	1SFA611930R1170	127	MJS11-60B	1SFA611711R6006	41
MA6-1036	1SFA611930R1036	135	MA6-1171	1SFA611930R1171	127	MJS12-40B	1SFA611712R4006	41
MA6-1037	1SFA611930R1037	135	MA6-1172	1SFA611930R1172	127	MJS12-60B	1SFA611712R6006	41
MA6-1038	1SFA611930R1038	135	MA6-1173	1SFA611930R1173	127	MJS1-40B	1SFA611701R4006	41
MA6-1039	1SFA611930R1039	135	MA6-1174	1SFA611930R1174	127	MJS1-60B	1SFA611701R6006	41
MA6-1040	1SFA611930R1040	135	MA6-1175	1SFA611930R1175	127	MJS2-40B	1SFA611702R4006	41
MA6-1041	1SFA611930R1041	135	MA6-1176	1SFA611930R1176	127	MJS2-60B	1SFA611702R6006	41
MA6-1042	1SFA611930R1042	135	MA6-1177	1SFA611930R1177	127	MJS3-40B	1SFA611703R4006	41
MA6-1043	1SFA611930R1043	135	MA6-1178	1SFA611930R1178	127	MJS3-60B	1SFA611703R6006	41
MA6-1044	1SFA611930R1044	135	MA6-1179	1SFA611930R1179	127	MJS4-40B	1SFA611704R4006	41
MA6-1045	1SFA611930R1045	135	MA6-1190	1SFA611930R1190	127	MJS4-60B	1SFA611704R6006	41
MA6-1047	1SFA611930R1047	135	MA6-1191	1SFA611930R1191	127	MJS5-40B	1SFA611705R4006	41
MA6-1054	1SFA611930R1054	135	MA6-1192	1SFA611930R1192	127	MJS5-60B	1SFA611705R6006	41
MA6-1058	1SFA611930R1058	135	MA6-1193	1SFA611930R1193	127	MJS6-40B	1SFA611706R4006	41
MA6-1060	1SFA611930R1060	127	MA6-1194	1SFA611930R1194	127	MJS6-60B	1SFA611706R6006	41
MA6-1061	1SFA611930R1061	127	MA6-1210	1SFA611930R1210	135	MJS7-40B	1SFA611707R4006	41
MA6-1062	1SFA611930R1062	127	MA6-1240	1SFA611930R1240	41	MJS7-60B	1SFA611707R6006	41
MA6-1063	1SFA611930R1063	127	MA6-1241	1SFA611930R1241	41	MJS8-40B	1SFA611708R4006	41
MA6-1064	1SFA611930R1064	127	MA6-1242	1SFA611930R1242	41	MJS8-60B	1SFA611708R6006	41
MA6-1065	1SFA611930R1065	127	MA6-1252	1SFA611930R1252	38	MJS9-40B	1SFA611709R4006	41
MA6-1070	1SFA611930R1070	135	MCB-01	1SFA611610R1010	44	MJS9-60B	1SFA611709R6006	41
MA6-1071	1SFA611930R1071	135	MCB-01B	1SFA611610R2010	124	ML1-100C	1SFA611400R1008	25
MA6-1073	1SFA611930R1073	135	MCB-01BG	1SFA611610R2110	124	ML1-100G	1SFA611400R1002	25
MA6-1074	1SFA611930R1074	135	MCB-01G	1SFA611610R1110	44	ML1-100L	1SFA611400R1004	25
MA6-1075	1SFA611930R1075	135	MCB-02	1SFA611610R1020	44	ML1-100R	1SFA611400R1001	25
MA6-1076	1SFA611930R1076	135	MCB-02B	1SFA611610R2020	124	ML1-100W	1SFA611400R1005	25
MA6-1077	1SFA611930R1077	135	MCB-02G	1SFA611610R1120	44	ML1-100Y	1SFA611400R1003	25
MA6-1079	1SFA611930R1079	135	MCB-10	1SFA611610R1001	44	MLBL-00BG	1SFA611621R2002	125
MA6-1080	1SFA611930R1080	135	MCB-10B	1SFA611610R2001	124	MLBL-00BL	1SFA611621R2004	125
MA6-1082	1SFA611930R1082	135	MCB-10BG	1SFA611610R2101	124	MLBL-00BR	1SFA611621R2001	125
MA6-1083	1SFA611930R1083	135	MCB-10G	1SFA611610R1101	44	MLBL-00BW	1SFA611621R2005	125
MA6-1084	1SFA611930R1084	135	MCB-11	1SFA611610R1011	44	MLBL-00BY	1SFA611621R2003	125
MA6-1085	1SFA611930R1085	135	MCB-11B	1SFA611610R2011	124	MLBL-00G	1SFA611621R1002	45
MA6-1086	1SFA611930R1086	135	MCB-11G	1SFA611610R1111	44	MLBL-00L	1SFA611621R1004	45
MA6-1087	1SFA611930R1087	135	MCB-20	1SFA611610R1002	44	MLBL-00R	1SFA611621R1001	45
MA6-1100	1SFA611930R1100	128	MCB-20B	1SFA611610R2002	124	MLBL-00W	1SFA611621R1005	45

Index

Type classification

Type	Order code	Page	Type	Order code	Page	Type	Order code	Page
MLBL-00Y	1SFA611621R1003	45	MLBL-05Y	1SFA611621R1053	45	MP1-11L	1SFA611100R1104	17
MLBL-01BG	1SFA611621R2012	125	MLBL-06BG	1SFA611621R2062	125	MP1-11R	1SFA611100R1101	17
MLBL-01BL	1SFA611621R2014	125	MLBL-06BL	1SFA611621R2064	125	MP1-11W	1SFA611100R1105	17
MLBL-01BR	1SFA611621R2011	125	MLBL-06BR	1SFA611621R2061	125	MP1-11Y	1SFA611100R1103	17
MLBL-01BW	1SFA611621R2015	125	MLBL-06BW	1SFA611621R2065	125	MP1-20B	1SFA611100R2006	15
MLBL-01BY	1SFA611621R2013	125	MLBL-06BY	1SFA611621R2063	125	MP1-20C	1SFA611100R2008	15
MLBL-01G	1SFA611621R1012	45	MLBL-06G	1SFA611621R1062	45	MP1-20G	1SFA611100R2002	15
MLBL-01L	1SFA611621R1014	45	MLBL-06L	1SFA611621R1064	45	MP1-20L	1SFA611100R2004	15
MLBL-01R	1SFA611621R1011	45	MLBL-06R	1SFA611621R1061	45	MP1-20R	1SFA611100R2001	15
MLBL-01W	1SFA611621R1015	45	MLBL-06W	1SFA611621R1065	45	MP1-20W	1SFA611100R2005	15
MLBL-01Y	1SFA611621R1013	45	MLBL-06Y	1SFA611621R1063	45	MP1-20Y	1SFA611100R2003	15
MLBL-02BG	1SFA611621R2022	125	MLBL-07BG	1SFA611621R2072	126	MP1-21C	1SFA611100R2108	17
MLBL-02BL	1SFA611621R2024	125	MLBL-07BL	1SFA611621R2074	126	MP1-21G	1SFA611100R2102	17
MLBL-02BR	1SFA611621R2021	125	MLBL-07BR	1SFA611621R2071	126	MP1-21L	1SFA611100R2104	17
MLBL-02BW	1SFA611621R2025	125	MLBL-07BW	1SFA611621R2075	126	MP1-21R	1SFA611100R2101	17
MLBL-02BY	1SFA611621R2023	125	MLBL-07BY	1SFA611621R2073	126	MP1-21W	1SFA611100R2105	17
MLBL-02G	1SFA611621R1022	45	MLBL-07G	1SFA611621R1072	46	MP1-21Y	1SFA611100R2103	17
MLBL-02L	1SFA611621R1024	45	MLBL-07L	1SFA611621R1074	46	MP1-30B	1SFA611100R3006	15
MLBL-02R	1SFA611621R1021	45	MLBL-07R	1SFA611621R1071	46	MP1-30C	1SFA611100R3008	15
MLBL-02W	1SFA611621R1025	45	MLBL-07W	1SFA611621R1075	46	MP1-30G	1SFA611100R3002	15
MLBL-02Y	1SFA611621R1023	45	MLBL-07Y	1SFA611621R1073	46	MP1-30L	1SFA611100R3004	15
MLBL-03BG	1SFA611621R2032	125	MLBL-08BG	1SFA611621R2082	126	MP1-30R	1SFA611100R3001	15
MLBL-03BL	1SFA611621R2034	125	MLBL-08BL	1SFA611621R2084	126	MP1-30W	1SFA611100R3005	15
MLBL-03BR	1SFA611621R2031	125	MLBL-08BR	1SFA611621R2081	126	MP1-30Y	1SFA611100R3003	15
MLBL-03BW	1SFA611621R2035	125	MLBL-08BW	1SFA611621R2085	126	MP1-31C	1SFA611100R3108	17
MLBL-03BY	1SFA611621R2033	125	MLBL-08BY	1SFA611621R2083	126	MP1-31G	1SFA611100R3102	17
MLBL-03G	1SFA611621R1032	45	MLBL-08G	1SFA611621R1082	46	MP1-31L	1SFA611100R3104	17
MLBL-03L	1SFA611621R1034	45	MLBL-08L	1SFA611621R1084	46	MP1-31R	1SFA611100R3101	17
MLBL-03R	1SFA611621R1031	45	MLBL-08R	1SFA611621R1081	46	MP1-31W	1SFA611100R3105	17
MLBL-03W	1SFA611621R1035	45	MLBL-08W	1SFA611621R1085	46	MP1-31Y	1SFA611100R3103	17
MLBL-03Y	1SFA611621R1033	45	MLBL-08Y	1SFA611621R1083	46	MP2-10B	1SFA611101R1006	15
MLBL-04AG	1SFA611621R3042	45	MLBL-09BG	1SFA611621R2092	126	MP2-10C	1SFA611101R1008	15
MLBL-04AL	1SFA611621R3044	45	MLBL-09BL	1SFA611621R2094	126	MP2-10G	1SFA611101R1002	15
MLBL-04AR	1SFA611621R3041	45	MLBL-09BR	1SFA611621R2091	126	MP2-10L	1SFA611101R1004	15
MLBL-04AW	1SFA611621R3045	45	MLBL-09BW	1SFA611621R2095	126	MP2-10R	1SFA611101R1001	15
MLBL-04AY	1SFA611621R3043	45	MLBL-09BY	1SFA611621R2093	126	MP2-10W	1SFA611101R1005	15
MLBL-04BG	1SFA611621R2042	125	MLBL-09G	1SFA611621R1092	46	MP2-10Y	1SFA611101R1003	15
MLBL-04BL	1SFA611621R2044	125	MLBL-09L	1SFA611621R1094	46	MP2-11C	1SFA611101R1108	17
MLBL-04BR	1SFA611621R2041	125	MLBL-09R	1SFA611621R1091	46	MP2-11G	1SFA611101R1102	17
MLBL-04BW	1SFA611621R2045	125	MLBL-09W	1SFA611621R1095	46	MP2-11L	1SFA611101R1104	17
MLBL-04BY	1SFA611621R2043	125	MLBL-09Y	1SFA611621R1093	46	MP2-11R	1SFA611101R1101	17
MLBL-04G	1SFA611621R1042	45	MLBL-99G	1SFA611621R1992	46	MP2-11W	1SFA611101R1105	17
MLBL-04L	1SFA611621R1044	45	MLBL-99L	1SFA611621R1994	46	MP2-11Y	1SFA611101R1103	17
MLBL-04R	1SFA611621R1041	45	MLBL-99R	1SFA611621R1991	46	MP2-20B	1SFA611101R2006	15
MLBL-04W	1SFA611621R1045	45	MLBL-99W	1SFA611621R1995	46	MP2-20G	1SFA611101R2002	15
MLBL-04Y	1SFA611621R1043	45	MLBL-99Y	1SFA611621R1993	46	MP2-20L	1SFA611101R2004	15
MLBL-05BG	1SFA611621R2052	125	MP1-10B	1SFA611100R1006	15	MP2-20R	1SFA611101R2001	15
MLBL-05BL	1SFA611621R2054	125	MP1-10C	1SFA611100R1008	15	MP2-20W	1SFA611101R2005	15
MLBL-05BR	1SFA611621R2051	125	MP1-10G	1SFA611100R1002	15	MP2-21G	1SFA611101R2102	17
MLBL-05BW	1SFA611621R2055	125	MP1-10L	1SFA611100R1004	15	MP2-21L	1SFA611101R2104	17
MLBL-05BY	1SFA611621R2053	125	MP1-10R	1SFA611100R1001	15	MP2-21R	1SFA611101R2101	17
MLBL-05G	1SFA611621R1052	45	MP1-10W	1SFA611100R1005	15	MP2-21W	1SFA611101R2105	17
MLBL-05L	1SFA611621R1054	45	MP1-10Y	1SFA611100R1003	15	MP2-21Y	1SFA611101R2103	17
MLBL-05R	1SFA611621R1051	45	MP1-11C	1SFA611100R1108	17	MP2-30B	1SFA611101R3006	15
MLBL-05W	1SFA611621R1055	45	MP1-11G	1SFA611100R1102	17	MP2-30G	1SFA611101R3002	15

Index

Type classification

Type	Order code	Page	Type	Order code	Page	Type	Order code	Page
MP2-30L	1SFA611101R3004	15	MP4-11G	1SFA611103R1102	18	MPD18-11B	1SFA611147R1106	19
MP2-30R	1SFA611101R3001	15	MP4-11L	1SFA611103R1104	18	MPD19-11B	1SFA611148R1106	19
MP2-30Y	1SFA611101R3003	15	MP4-11R	1SFA611103R1101	18	MPD19-11C	1SFA611148R1108	21
MP2-31C	1SFA611101R3108	17	MP4-11W	1SFA611103R1105	18	MPD19-11G	1SFA611148R1102	21
MP2-31G	1SFA611101R3102	17	MP4-11Y	1SFA611103R1103	18	MPD2-11B	1SFA611131R1106	19
MP2-31L	1SFA611101R3104	17	MP4-20G	1SFA611103R2002	16	MPD2-11C	1SFA611131R1108	20
MP2-31R	1SFA611101R3101	17	MP4-20L	1SFA611103R2004	16	MPD2-11G	1SFA611131R1102	20
MP2-31W	1SFA611101R3105	17	MP4-20R	1SFA611103R2001	16	MPD2-11R	1SFA611131R1101	20
MP2-31Y	1SFA611101R3103	17	MP4-20Y	1SFA611103R2003	16	MPD2-11Y	1SFA611131R1103	20
MP3-10B	1SFA611102R1006	16	MP4-21C	1SFA611103R2108	18	MPD3-11B	1SFA611132R1106	19
MP3-10C	1SFA611102R1008	16	MP4-21G	1SFA611103R2102	18	MPD3-11C	1SFA611132R1108	20
MP3-10G	1SFA611102R1002	16	MP4-21L	1SFA611103R2104	18	MPD3-11G	1SFA611132R1102	20
MP3-10L	1SFA611102R1004	16	MP4-21R	1SFA611103R2101	18	MPD3-11R	1SFA611132R1101	20
MP3-10R	1SFA611102R1001	16	MP4-21W	1SFA611103R2105	18	MPD3-11Y	1SFA611132R1103	20
MP3-10W	1SFA611102R1005	16	MP4-21Y	1SFA611103R2103	18	MPD4-11B	1SFA611133R1106	19
MP3-10Y	1SFA611102R1003	16	MP4-30B	1SFA611103R3006	16	MPD4-11C	1SFA611133R1108	20
MP3-11C	1SFA611102R1108	18	MP4-30G	1SFA611103R3002	16	MPD4-11G	1SFA611133R1102	20
MP3-11G	1SFA611102R1102	18	MP4-31C	1SFA611103R3108	18	MPD4-11R	1SFA611133R1101	20
MP3-11L	1SFA611102R1104	18	MP4-31G	1SFA611103R3102	18	MPD4-11Y	1SFA611133R1103	20
MP3-11R	1SFA611102R1101	18	MP4-31L	1SFA611103R3104	18	MPD5-11B	1SFA611134R1106	19
MP3-11W	1SFA611102R1105	18	MP4-31R	1SFA611103R3101	18	MPD5-11C	1SFA611134R1108	20
MP3-11Y	1SFA611102R1103	18	MPD1-11B	1SFA611130R1106	19	MPD5-11G	1SFA611134R1102	20
MP3-20B	1SFA611102R2006	16	MPD1-11C	1SFA611130R1108	20	MPD5-11R	1SFA611134R1101	20
MP3-20G	1SFA611102R2002	16	MPD1-11G	1SFA611130R1102	20	MPD5-11Y	1SFA611134R1103	20
MP3-20L	1SFA611102R2004	16	MPD1-11R	1SFA611130R1101	20	MPD6-11B	1SFA611135R1106	19
MP3-20R	1SFA611102R2001	16	MPD1-11Y	1SFA611130R1103	20	MPD6-11C	1SFA611135R1108	20
MP3-20W	1SFA611102R2005	16	MPD2-11B	1SFA611141R1106	19	MPD6-11G	1SFA611135R1102	20
MP3-20Y	1SFA611102R2003	16	MPD2-11C	1SFA611141R1108	21	MPD7-11B	1SFA611136R1106	19
MP3-21C	1SFA611102R2108	18	MPD2-11G	1SFA611141R1102	21	MPD7-11G	1SFA611136R1102	20
MP3-21G	1SFA611102R2102	18	MPD2-11R	1SFA611141R1101	21	MPD8-11B	1SFA611137R1106	19
MP3-21L	1SFA611102R2104	18	MPD2-11Y	1SFA611141R1103	21	MPD8-11C	1SFA611137R1108	20
MP3-21R	1SFA611102R2101	18	MPD13-11B	1SFA611142R1106	19	MPD8-11G	1SFA611137R1102	20
MP3-21W	1SFA611102R2105	18	MPD13-11C	1SFA611142R1108	21	MPD9-11B	1SFA611138R1106	19
MP3-21Y	1SFA611102R2103	18	MPD13-11G	1SFA611142R1102	21	MPEK3-11B	1SFA611522R1106	24
MP3-30B	1SFA611102R3006	16	MPD13-11R	1SFA611142R1101	21	MPEK3-11R	1SFA611522R1101	23
MP3-30C	1SFA611102R3008	16	MPD13-11Y	1SFA611142R1103	21	MPEK3-12R	1SFA611522R1201	23
MP3-30G	1SFA611102R3002	16	MPD14-11B	1SFA611143R1106	19	MPEK3-13R	1SFA611522R1301	23
MP3-30L	1SFA611102R3004	16	MPD14-11C	1SFA611143R1108	21	MPEK4-11B	1SFA611525R1106	24
MP3-30R	1SFA611102R3001	16	MPD14-11G	1SFA611143R1102	21	MPEK4-11R	1SFA611525R1101	23
MP3-30W	1SFA611102R3005	16	MPD14-11R	1SFA611143R1101	21	MPEK4-12R	1SFA611525R1201	23
MP3-30Y	1SFA611102R3003	16	MPD14-11Y	1SFA611143R1103	21	MPEK4-13R	1SFA611525R1301	23
MP3-31C	1SFA611102R3108	18	MPD15-11B	1SFA611144R1106	19	MPEP3-10B	1SFA611521R1006	24
MP3-31G	1SFA611102R3102	18	MPD15-11C	1SFA611144R1108	21	MPEP3-10R	1SFA611521R1001	23
MP3-31L	1SFA611102R3104	18	MPD15-11G	1SFA611144R1102	21	MPEP4-10B	1SFA611524R1006	24
MP3-31R	1SFA611102R3101	18	MPD15-11R	1SFA611144R1101	21	MPEP4-10R	1SFA611524R1001	23
MP3-31W	1SFA611102R3105	18	MPD15-11Y	1SFA611144R1103	21	MPET3-10B	1SFA611520R1006	24
MP3-31Y	1SFA611102R3103	18	MPD16-11B	1SFA611145R1106	19	MPET3-10R	1SFA611520R1001	23
MP4-10B	1SFA611103R1006	16	MPD16-11C	1SFA611145R1108	21	MPET4-10B	1SFA611523R1006	24
MP4-10C	1SFA611103R1008	16	MPD16-11G	1SFA611145R1102	21	MPET4-10R	1SFA611523R1001	23
MP4-10G	1SFA611103R1002	16	MPD16-11R	1SFA611145R1101	21	MPM1-10B	1SFA611124R1006	22
MP4-10L	1SFA611103R1004	16	MPD16-11Y	1SFA611145R1103	21	MPM1-10G	1SFA611124R1002	22
MP4-10R	1SFA611103R1001	16	MPD17-11B	1SFA611146R1106	19	MPM1-10R	1SFA611124R1001	22
MP4-10W	1SFA611103R1005	16	MPD17-11C	1SFA611146R1108	21	MPM1-10Y	1SFA611124R1003	22
MP4-10Y	1SFA611103R1003	16	MPD17-11G	1SFA611146R1102	21	MPM1-11G	1SFA611124R1102	22
MP4-11C	1SFA611103R1108	18	MPD17-11R	1SFA611146R1103	21	MPM1-11R	1SFA611124R1101	22

Index

Type classification

Type	Order code	Page	Type	Order code	Page	Type	Order code	Page
MPM1-11Y	1SFA611124R1103	22	P9B-11VN	1SFA187000R8011	76	P9M-MN4TG	1SFA184716R9006	72
MPM2-10B	1SFA611125R1006	22	P9B-11VN-AA	1SFA242712R8011	76	P9M-PLAGD	1SFA184495R9109	58
MPM2-10R	1SFA611125R1001	22	P9B-20VN	1SFA187009R8002	76	P9M-PLASD	1SFA184505R9109	58
MPM2-10Y	1SFA611125R1003	22	P9M-CB	1SFA184696R9006	74	P9M-PLBGD	1SFA184497R9105	58
MPM2-11R	1SFA611125R1101	22	P9M-CC	1SFA184697R9006	74	P9M-PLBGV	1SFA184527R9105	58
MPM2-11Y	1SFA611125R1103	22	P9M-CD	1SFA184695R9006	74	P9M-PLBSD	1SFA184507R9105	58
MPMP3-11R	1SFA611511R1101	23	P9M-EC4RN01	1SFA192000R9001	59	P9M-PLGGD	1SFA184493R9103	58
MPMP4-10R	1SFA611514R1001	23	P9M-EC4RN37	1SFA192012R9001	59	P9M-PLGGV	1SFA184523R9103	58
MPMP4-11R	1SFA611514R1101	23	P9M-EC4RN95	1SFA184073R9001	59	P9M-PLGSD	1SFA184503R9103	58
MPMT3-11R	1SFA611510R1101	23	P9M-EM3GN	1SFA184033R9003	59	P9M-PLIGD	1SFA184498R9108	58
MPMT4-10R	1SFA611513R1001	23	P9M-EM3NN	1SFA184030R9006	59	P9M-PLLGD	1SFA184496R9104	58
MPMT4-11R	1SFA611513R1101	23	P9M-EM3RN	1SFA184031R9001	59	P9M-PLLGV	1SFA184526R9104	58
MT-105B	1SFA611410R1056	38	P9M-EM3VN	1SFA184032R9002	59	P9M-PLSD	1SFA184506R9104	58
MT-110B	1SFA611410R1106	38	P9M-EM4GL	1SFA184553R9103	60	P9M-PLRGD	1SFA184491R9101	58
MT-150B	1SFA611410R1506	38	P9M-EM4GN	1SFA184043R9003	59	P9M-PLRGV	1SFA184521R9101	58
MT-1B	1SFA611410R1006	38	P9M-EM4LL	1SFA184556R9104	60	P9M-PLRSD	1SFA184501R9101	58
MT-205B	1SFA611410R2056	38	P9M-EM4NN	1SFA184040R9006	59	P9M-PLVGD	1SFA184492R9102	58
MT-210B	1SFA611410R2106	38	P9M-EM4RL	1SFA184551R9101	60	P9M-PLVGV	1SFA184522R9102	58
MT-250B	1SFA611410R2506	38	P9M-EM4RN	1SFA184041R9001	59	P9M-PLVSD	1SFA184502R9102	58
MT-305B	1SFA611410R3056	38	P9M-EM4VL	1SFA184552R9102	60	P9M-PNBG	1SFA184007R9005	56
MT-310B	1SFA611410R3106	38	P9M-EM4VN	1SFA184042R9002	59	P9M-PNBG006	1SFA187152R9505	57
MT-350B	1SFA611410R3506	38	P9M-EM6GN	1SFA184053R9003	59	P9M-PNBG028	1SFA187151R9505	57
MT-3B	1SFA611410R3006	38	P9M-EM6NN	1SFA184050R9006	59	P9M-PNBG030	1SFA188057R9505	57
MTS1-10B	1SFA611300R1006	42	P9M-EM6RN	1SFA184051R9001	59	P9M-PNBS	1SFA184017R9005	56
MTS1-20B	1SFA611300R2006	42	P9M-EM6VN	1SFA184052R9002	59	P9M-PNGG	1SFA184003R9003	56
MTS1-30B	1SFA611300R3006	42	P9M-ER3RN	1SFA184070R9001	59	P9M-PNGS	1SFA184057R9003	56
MTS2-10B	1SFA611301R1006	42	P9M-ER4RN	1SFA184071R9001	59	P9M-PNHG	1SFA184008R9007	56
MTS2-20B	1SFA611301R2006	42	P9M-ET4GL1	1SFA184563R9103	60	P9M-PNLG	1SFA184006R9004	56
MTS2-30B	1SFA611301R3006	42	P9M-ET4GN1	1SFA184063R9003	59	P9M-PNLG007	1SFA188900R9504	57
MTS3-10B	1SFA611302R1006	42	P9M-ET4LL1	1SFA184566R9104	60	P9M-PNLG037	1SFA187143R9504	57
MTS3-20B	1SFA611302R2006	42	P9M-ET4NN1	1SFA184060R9006	59	P9M-PNLS	1SFA184016R9004	56
MTS3-30B	1SFA611302R3006	42	P9M-ET4RL1	1SFA184561R9101	60	P9M-PNNG	1SFA184000R9006	56
P9A-CA6	1SFA188804R8000	80	P9M-ET4RN1	1SFA184061R9001	59	P9M-PNNG002	1SFA187139R9506	57
P9A-CDPP	1SFA187843R8000	56, 58, 80	P9M-ET4VL1	1SFA184562R9102	60	P9M-PNNG006	1SFA187117R9506	57
P9A-CFS3	1SFA187841R8000	76	P9M-ET4VN1	1SFA184062R9002	59	P9M-PNNG028	1SFA187111R9506	57
P9A-CFS5	1SFA187842R8000	76	P9M-LAD	1SFA184795R9009	61	P9M-PNNG029	1SFA187150R9506	57
P9A-CRCL	1SFA187840R8000	80	P9M-LBD	1SFA184797R9005	61	P9M-PNNG030	1SFA187145R9506	57
P9A-CWAF	1SFA187845R8000	80	P9M-LGD	1SFA184793R9003	61	P9MPPNNG085	1SFA188886R9506	57
P9A-RAM32	1SFA188801R8000	80	P9M-LID	1SFA184798R9008	61	P9M-PNNG201	1SFA188908R9506	57
P9A-RCST	1SFA187490R8000	80	P9M-LLD	1SFA184796R9004	61	P9M-PNNS	1SFA184010R9006	56
P9A-RSCMB	1SFA188044R8000	73	P9M-LRD	1SFA184791R9001	61	P9M-PNNS029	1SFA187250R9506	57
P9A-RSCMN	1SFA188043R8000	73	P9M-LVD	1SFA184792R9002	61	P9M-PNNS032	1SFA187235R9506	57
P9A-RSGMB	1SFA187496R8000	73	P9M-MB2A	1SFA184712R9006	72	P9M-PNRG	1SFA184001R9001	56
P9A-RSGMN	1SFA187495R8000	73	P9M-MB2F	1SFA184710R9006	72	P9M-PNRG029	1SFA187110R9501	57
P9B-01FN	1SFA187012R8310	76	P9M-MB2FG	1SFA184709R9006	72	P9M-PNRG201	1SFA187147R9501	57
P9B-01VN	1SFA187001R8010	76	P9M-MB2T	1SFA184711R9006	72	P9M-PNRS	1SFA184011R9001	56
P9B-01VR	1SFA187003R8110	76	P9M-MB4F	1SFA184740R9006	72	P9M-PNRS029	1SFA187210R9501	57
P9B-02VN	1SFA187008R8020	76	P9M-MB4T	1SFA184741R9006	72	P9M-PNVG	1SFA184002R9002	56
P9B-02VN-AA	1SFA205236R8020	76	P9M-MB4TG	1SFA184744R9006	72	P9M-PNVG006	1SFA187118R9502	57
P9B-10FN	1SFA187013R8301	76	P9M-MN2A	1SFA184702R9006	72	P9M-PNVG028	1SFA187112R9502	57
P9B-10FN-AA	1SFA215835R8301	76	P9M-MN2B	1SFA184703R9006	72	P9M-PNVG030	1SFA187146R9502	57
P9B-10VA	1SFA187004R8201	76	P9M-MN2F	1SFA184700R9006	72	P9M-PNVG202	1SFA187149R9502	57
P9B-10VN	1SFA187002R8001	76	P9M-MN2T	1SFA184701R9006	72	P9M-PNVS	1SFA184012R9002	56
P9B-10VN-AA	1SFA215832R8001	76	P9M-MN4F	1SFA184720R9006	72	P9M-PS22G	1SFA184691R9006	75
			P9M-MN4T	1SFA184721R9006	72	P9M-PS34G	1SFA184693R9006	75

Index

Type classification

Type	Order code	Page	Type	Order code	Page	Type	Order code	Page
P9M-SAD0B	1SFA184647R9105	63	P9M-SLD0V	1SFA184592R9102	63	P9M-SVZ3N	1SFA184391R9006	64
P9M-SAD0L	1SFA184646R9104	63	P9M-SLZ0A	1SFA184605R9109	65	P9M-SVZ5N	1SFA184387R9006	64
P9M-SAD0R	1SFA184641R9101	63	P9M-SLZ0B	1SFA184607R9105	65	P9P-DNFO	1SFA187055R1300	77
P9M-SAD0V	1SFA184642R9102	63	P9M-SLZ0G	1SFA184603R9103	65	P9P-DNFO-AA	1SFA215834R1300	77
P9M-SAZ0B	1SFA184657R9105	65	P9M-SLZ0L	1SFA184606R9104	65	P9P-DNVO	1SFA187020R1080	77
P9M-SAZ0V	1SFA184652R9102	65	P9M-SLZ0R	1SFA184601R9101	65	P9P-DNVO-AA	1SFA215831R1000	77
P9M-SAZ3A	1SFA184685R9109	65	P9M-SLZ0V	1SFA184602R9102	65	P9P-DTVO	1SFA187027R8000	77
P9M-SAZ3B	1SFA184687R9105	65	P9M-SLZ1B	1SFA184617R9105	65	P9P-LFVDA	1SFA197018R1019	79
P9M-SAZ3V	1SFA184682R9102	65	P9M-SLZ1G	1SFA184613R9103	65	P9P-LFVDB	1SFA197019R1015	79
P9M-SCD0A01	1SFA192105R9006	68	P9MSLZ1L	1SFA184616R9104	65	P9P-LFVDG	1SFA197020R1013	79
P9M-SCD0A37	1SFA192117R9006	68	P9M-SLZ1R	1SFA184611R9101	65	P9P-LFVDL	1SFA197021R1014	79
P9M-SCD0A95	1SFA184400R9006	68	P9M-SLZ1V	1SFA184612R9102	65	P9P-LFVDR	1SFA197022R1011	79
P9M-SCD0E01	1SFA192120R9006	68	P9M-SLZ3A	1SFA184635R9109	65	P9P-LFVDV	1SFA197023R1012	79
P9M-SCD0E95	1SFA184401R9006	68	P9M-SLZ3B	1SFA184637R9105	65	P9P-LFVJB	1SFA197025R1045	79
P9M-SCD0K01	1SFA192135R9006	68	P9M-SLZ3G	1SFA184633R9103	65	P9P-LFVJG	1SFA197026R1043	79
P9M-SCD0K37	1SFA192147R9006	68	P9M-SLZ3I	1SFA184638R9108	65	P9P-LFVJR	1SFA197028R1041	79
P9M-SCD0K95	1SFA184402R9006	68	P9M-SLZ3L	1SFA184636R9104	65	P9P-LFVNB	1SFA197031R1075	79
P9M-SCD5A01	1SFA192240R9006	68	P9M-SLZ3R	1SFA184631R9101	65	P9P-LFVNG	1SFA197032R1073	79
P9M-SCD5A33	1SFA192250R9006	68	P9M-SLZ3V	1SFA184632R9102	65	P9P-LFVNR	1SFA197034R1071	79
P9M-SCD5A37	1SFA192252R9006	68	P9M-SLZ5I	1SFA184628R9108	65	P9P-LNVDB	1SFA197001R1015	79
P9M-SCD5A95	1SFA184409R9006	68	P9M-SLZ5L	1SFA184626R9104	65	P9P-LNVDB	1SFA197002R1013	79
P9M-SCI0C01	1SFA192150R9006	68	P9M-SLZ5R	1SFA184621R9101	65	P9P-LNVDL	1SFA197003R1014	79
P9M-SCI0C37	1SFA192162R9006	68	P9M-SLZ5V	1SFA184622R9102	65	P9P-LNVDR	1SFA197004R1011	79
P9M-SCI0C95	1SFA184403R9006	68	P9M-SMD0N	1SFA184110R9006	62	P9P-LNVDV	1SFA197005R1012	79
P9M-SCI0E01	1SFA192165R9006	68	P9M-SMD0R	1SFA184111R9001	62	P9P-LNVJB	1SFA197007R1045	79
P9M-SCI0E95	1SFA184404R9006	68	P9M-SMD5G	1SFA184143R9003	62	P9P-LNVJG	1SFA197008R1043	79
P9M-SCI0N95	1SFA184405R9006	68	P9M-SMD5N	1SFA184140R9006	62	P9P-LNVJL	1SFA197009R1044	79
P9M-SCI5C01	1SFA192255R9006	68	P9M-SMD5R	1SFA184141R9001	62	P9P-LNVJR	1SFA197010R1041	79
P9M-SCI5C37	1SFA192267R9006	68	P9M-SMIOG	1SFA184123R9003	62	P9P-LNVJV	1SFA197011R1042	79
P9M-SCI5C95	1SFA184410R9006	68	P9M-SMION	1SFA184120R9006	62	P9P-LNVNB	1SFA197013R1075	79
P9M-SCX0A95	1SFA184468R9006	71	P9M-SMI5N	1SFA184150R9006	62	P9P-LNVNG	1SFA197014R1073	79
P9M-SCX0Z01	1SFA193335R9006	71	P9M-SMI5R	1SFA184151R9001	62	P9P-LNVNL	1SFA197015R1074	79
P9M-SCX0Z95	1SFA184482R9006	71	P9M-SMI5V	1SFA184152R9002	62	P9P-LNVNR	1SFA197016R1071	79
P9M-SCZ0A95	1SFA184433R9006	69	P9M-SMW0N	1SFA184360R9006	67	P9P-LNVNV	1SFA197017R1072	79
P9M-SCZ0C95	1SFA184434R9006	69	P9M-SMX0N	1SFA184397R9006	66		4950512-1	105
P9M-SCZ0H95	1SFA184436R9006	69	P9M-SMX5N	1SFA184340R9006	66		4950512-2	105
P9M-SCZ0N95	1SFA184438R9006	69	P9M-SMY0N	1SFA184350R9006	67		4950512-3	105
P9M-SCZ0T01	1SFA192690R9006	69	P9M-SMY0R	1SFA184351R9001	67		SK615502-D	47, 110
P9M-SCZ0T37	1SFA192702R9006	69	P9M-SMZ0N	1SFA184200R9006	64		SK615512-1	47, 110
P9M-SCZ0T95	1SFA184439R9006	69	P9M-SMZ0R	1SFA184201R9001	64		SK615516-1	124
P9M-SCZ1C95	1SFA184449R9006	69	P9M-SMZ1N	1SFA184240R9006	64		SK615546-1	136
P9M-SCZ1N95	1SFA184451R9006	69	P9M-SMZ1R	1SFA184241R9001	64		SK615546-13	136
P9M-SCZ3C01	1SFA193110R9006	70	P9M-SMZ3N	1SFA184320R9006	64		SK615546-15	136
P9M-SCZ3C95	1SFA184467R9006	70	P9M-SMZ3R	1SFA184321R9001	64		SK615546-2	136
P9M-SCZ5A01	1SFA193020R9006	70	P9M-SMZ5N	1SFA184280R9006	64		SK615546-3	136
P9M-SCZ5A95	1SFA184461R9006	70	P9M-SVD0G	1SFA184822R9003	62		SK615546-4	136
P9M-SCZ5C95	1SFA184462R9006	70	P9M-SVD0N	1SFA184370R9006	62		SK615546-5	136
P9M-SCZ5H01	1SFA193050R9006	70	P9M-SVD5N	1SFA184373R9006	62		SK615546-6	136
P9M-SCZ5H95	1SFA184463R9006	70	P9M-SVIOB	1SFA184371R9006	62		SK615546-8	136
P9M-SLD0A	1SFA184595R9109	63	P9M-SVI5N	1SFA184374R9006	62		SK615550-29	137
P9M-SLD0B	1SFA184597R9105	63	P9M-SVX0N	1SFA184392R9006	66		SK615550-44	137
P9M-SLD0G	1SFA184593R9103	63	P9M-SVX5N	1SFA184393R9006	66		SK615550-61	137
P9M-SLD0I	1SFA184598R9108	63	P9M-SVZ0N	1SFA184379R9006	64		SK615550-62	137
P9M-SLD0L	1SFA184596R9104	63	P9M-SVZ0R	1SFA184856R9001	64		SK615550-80	137
P9M-SLD0R	1SFA184591R9101	63	P9M-SVZ1N	1SFA184383R9006	64		SK615550-81	137

Index

Type classification

Type	Order code	Page
	SK615552-13	137
	SK615552-14	137
	SK615552-15	137
	SK615552-16	137
	SK615552-17	137
	SK615552-21	137
	SK615552-22	137
	SK615552-23	137
	SK615552-25	137
	SK615552-27	137
	SK615552-28	137
	SK615552-29	137
	SK615552-30	137
	SK615552-31	137
	SK615552-32	137
	SK615562-12	137
	SK615562-82	137
	SK615562-87	38
	SK615562-88	38
	SK616016-2	47, 110
	SK616021-71	48, 111
	SK616021-72	48, 111
	SK616021-73	48, 111

Marketing materials

Videos

Watch our videos to learn more about our product range

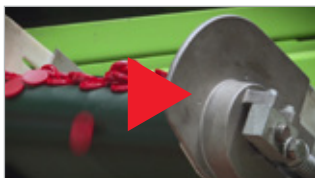


ABB Pilot devices manufacturing



Modular range assembly



IPX6 water spray test

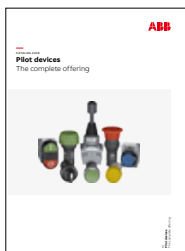


IPX7 submersion test



Catalogs

Find our catalogs on the web



Complete offering
Catalog number: 1SFC151007C0201

Data sheet

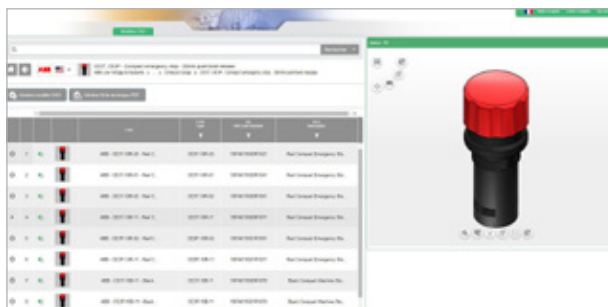
For direct product details information, use product type or order code



[http://new.abb.com/products/ product type or order code](http://new.abb.com/products/product%20type%20or%20order%20code)
Ex: <http://new.abb.com/products/ML1-100R>
<http://new.abb.com/products/1SFA611400R1001>

3D models

Download and view our products in 2D or 3D (STEP, IGES, ...) with Cadenas 3D-models



<http://abb-control-products.partcommunity.com/3d-cad-models/>



ABB Inc.

305 Gregson Drive

Cary, NC 27511

USA

electrification.us.abb.com

We reserve the right to make technical changes or modify the contents of this document without prior notice. With regard to purchase orders, the agreed particulars shall prevail. ABB Inc. does not accept any responsibility whatsoever for potential errors or possible lack of information in this document.

We reserve all rights in this document and in the subject matter and illustrations contained therein. Any reproduction, disclosure to third parties or utilization of its contents – in whole or in parts – is forbidden without prior written consent of ABB Inc. Copyright© 2022 ABB
All rights reserved