

# Service Note

## Retrofitting kit ATS010 → ATS022

ABB Low Voltage Breakers Service aims to provide customers with the best solutions to upgrade their low voltage equipment to the latest technologies in order to guarantee the maximum safety level.

For this reason ABB LVB Service has created a new retrofitting kit to easily replace the ATS010 device with the new ATS022 unit without compromising any safety and switching feature.

The ATS022 unit is characterized by additional features and better controls, even simplified by the user friendly LCD display.

### Retrofitting kit

The new retrofitting kit lets the customer replace ATS010 from the existing installation and change it with the new ATS022. The basic purpose of the kit is to provide easy and safe conversion from old to new ATS with simplicity and time saving.

The kits allow the new apparatus to be adapted to the dimensional characteristics of the existing compartments, replacing the obsolete models with latest generation product.

### Retrofitting kit benefits

- Reduced installation costs: less dismantling and installation time needed
- Easy and flexible to adapt to new dimensions
- No production losses – retrofit is planned to match the plant's shutdown schedule
- Quick project execution – modernizing one ATS section typically takes a short time
- Flexible scheduling – Large installation can be planned in phase manner
- No Major structural changes. Only adaptation to previous size
- Simple to use

### Benefit of ATS022

There are significant benefits in switchover to new ATS022:

- new advance transfer switch with latest technology and better safety feature
- wider setting details for switchover function between utility and emergency power supply
- possibility to connect to communication network (Modbus RS485)
- no need of extra power supply (other than communication usage)
- Bus-tie Control
- LCD graphical display integrated
- Can be fit with ABB circuit-breakers and switch-disconnectors, ensuring availability of a complete and coordinated system

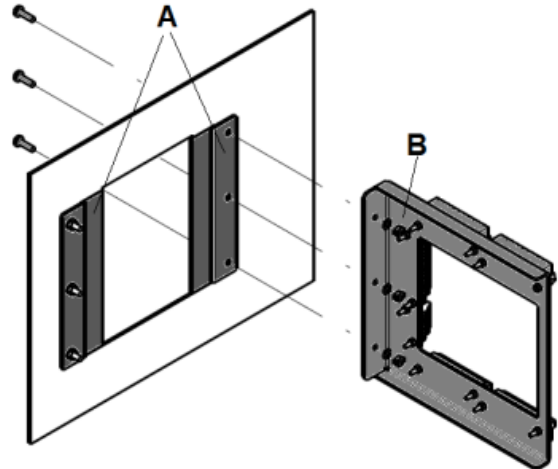


# Service Note

## Retrofitting kit ATS010 → ATS022

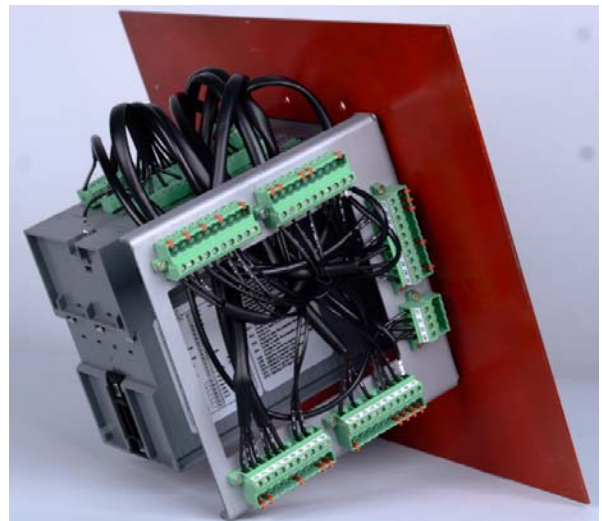
The kit comes with:

- ATS022 device
- Adaptor plates for the door (A)
- A connector support plate (B) equipped with prewired cable connections to facilitate the wiring operations. The connectors of the new connector support are arranged in the same position as the ATS010 automatic transfer switch and are equipped with inserts that prevent them from being inserted incorrectly
- Installation manual with detailed procedure for a correct and safe installation
- Instruction sheet to easily convert the ATS010 settings to ATS022



### Main differences between ATS010 and ATS022:

- ATS022 works always as *Strategy 2* (see chapter 3.2 of ATS010 manual RH0202002)
- In ATS022 the function *O/C Control not priority Loads* is still available by means of external releases
- Digital Input:
  - ATS022 does not have the Gen set automatic operation - *GEN. AUTO.* (See chapter 3.4.7 of ATS010 manual RH0202002)
  - ATS022 offers the *SW Enable* function as a default. The function *Remote Reset* can be programmed as an alternative to *SW Enable*



### Ordering Code

1SDA070512R1=Retrofitting kit ATS010→ATS022 (included)

For more information please contact:

ABB SACE  
A division of ABB S.p.A.  
L.V. Breakers  
Via Baioni, 35  
24123 Bergamo - Italy  
Tel.: +39 035 395 111  
Fax: +39 035 395306-433  
[www.abb.com](http://www.abb.com)