

Service note

Spare parts for Low Voltage Breakers & Switches

ABB's spare part services are based on more than 75 years of experience in manufacturing Low Voltage Breakers and Switches. Spare parts play a key role in maintaining availability and minimizing downtime.



The need for spare parts

Availability is a matter of top priority, and a lot of effort goes into maximizing uptime. Nevertheless, it is inevitable that at some stage a part will fail and a stoppage will occur.

To recover from a stoppage as soon as possible, the right spare part should be available on site. If the necessary spare part is not available it will have to be ordered, which can lead to extended downtime.

The delivery time for some spare parts may be few weeks or even months for obsolete products. Spare parts represent a small investment that can have a significant effect on availability.

Benefits of stocking spare parts on site

Keeping essential spare parts on site is a good investment with a number of benefits:

- Improved availability of the products
- Effective preparation for unexpected situations
- Minimized downtime in case of failure
- Minimized production loss in case of failure

Benefits of sourcing spare parts from the OEM

Only the OEM can guarantee that parts are based on the original documentation and are 100% correct and can guarantee the proper safety level as for the equipment

Constant design improvements mean that the original manufacturer can supply spare parts that are superior to the existing components in terms of design and functionality.

Spare part categories

Spare parts can be divided into four different categories:

- Standard spare parts covering basic needs during commissioning and years of operation
- Spare parts type "A" are those items which assembly and calibration are exclusively meant for its authorized skilled technicians
- Standard and Upgrade Maintenance kits
- Consumables

Recommended spare parts

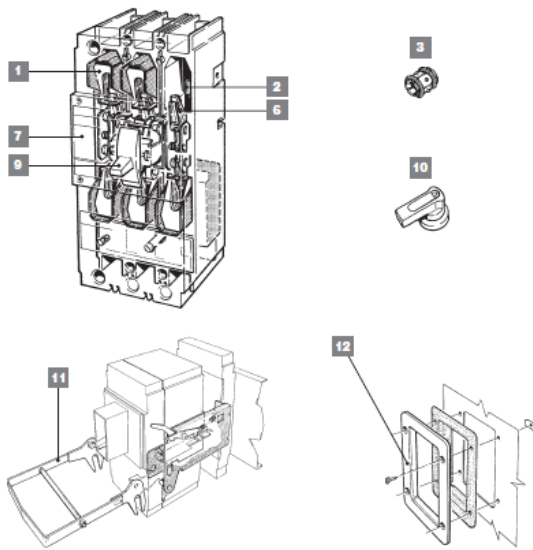
ABB's consulting services can also provide support for plant owners seeking to optimize their on-site spare part stock. ABB is available to suggest the recommended spare part package always tailored to application specific requirements and chosen to optimize the availability

Spare parts for all ABB low voltage circuit breakers

Although ABB's motors and generators range from small standard products to large tailor made units, we are able to offer spare parts and support for all motors and generators throughout the product life cycle.

According to the life cycle phase where the circuit breaker is indicated, spare parts may be subject to a long delivery time. It is therefore essential to have spare parts ready on site to maintain high availability.

For further information on spare parts availability please consult the Spare parts catalogue for Low voltage circuit-breakers 1SDC001007D0202



We reserve the right to make technical changes or modify the contents of this document without prior notice. With regard to purchase orders, the agreed particulars shall prevail. ABB S.p.A. does not accept any responsibility whatsoever for potential errors or possible lack of information in this document.

We reserve all rights in this document and in the subject matter and illustrations contained herein. Any reproduction, disclosure to third parties or utilization of its contents – in whole or in part – is forbidden without prior written consent of ABB S.p.A.

Copyright © 2013 ABB, All rights reserved

For more information please contact:

www.abb.com

Business risk analysis

The key element in managing risks and minimizing production disturbances is to take a proactive approach and fully prepare for failures.

A thorough risk analysis should be undertaken to gain a clear overview of the situation and determine which preparatory actions need to be taken. ABB offers consulting services which help plant owners to optimize their spare part management. The following factors should be considered:

- Are we prepared for a failure?
- How long could the downtime last?
- What would be the total downtime cost?
- Will there be delivery problems?
- Do we have or can we easily obtain spare parts when needed?
- Could we use the same spares for several Breakers or Switches?
- Will our insurance costs be lower if we keep spares on site?

