



Fencing system Quick-Guard Machine Safety - Jokab Safety products

Power and productivity
for a better world™



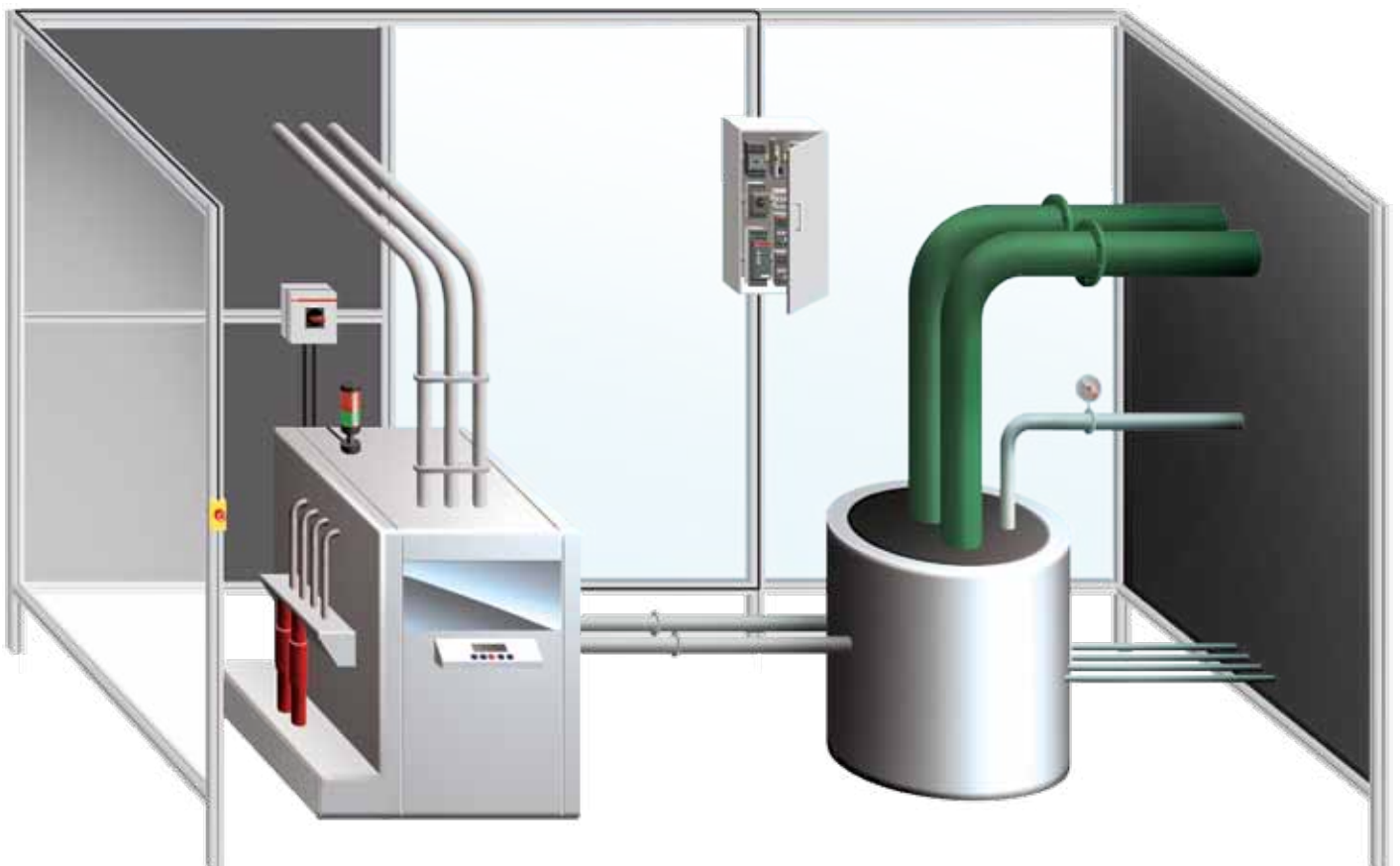
We develop products and solutions for machine safety

The fact that the leading power and automation technology company, ABB, and a leader in machine safety, Jokab Safety, are joining forces means a lot more than just a new organisational chart. ABB has made a huge footprint in the industry - from power supply to the control of each individual motor - and has been delivering reliable solutions for decades that boost productivity in the industry. The acquisition of Jokab Safety now means that the last building block is in place. We can now offer our customers tailored, turnkey solutions where machine safety is an integral and value-enhancing component.

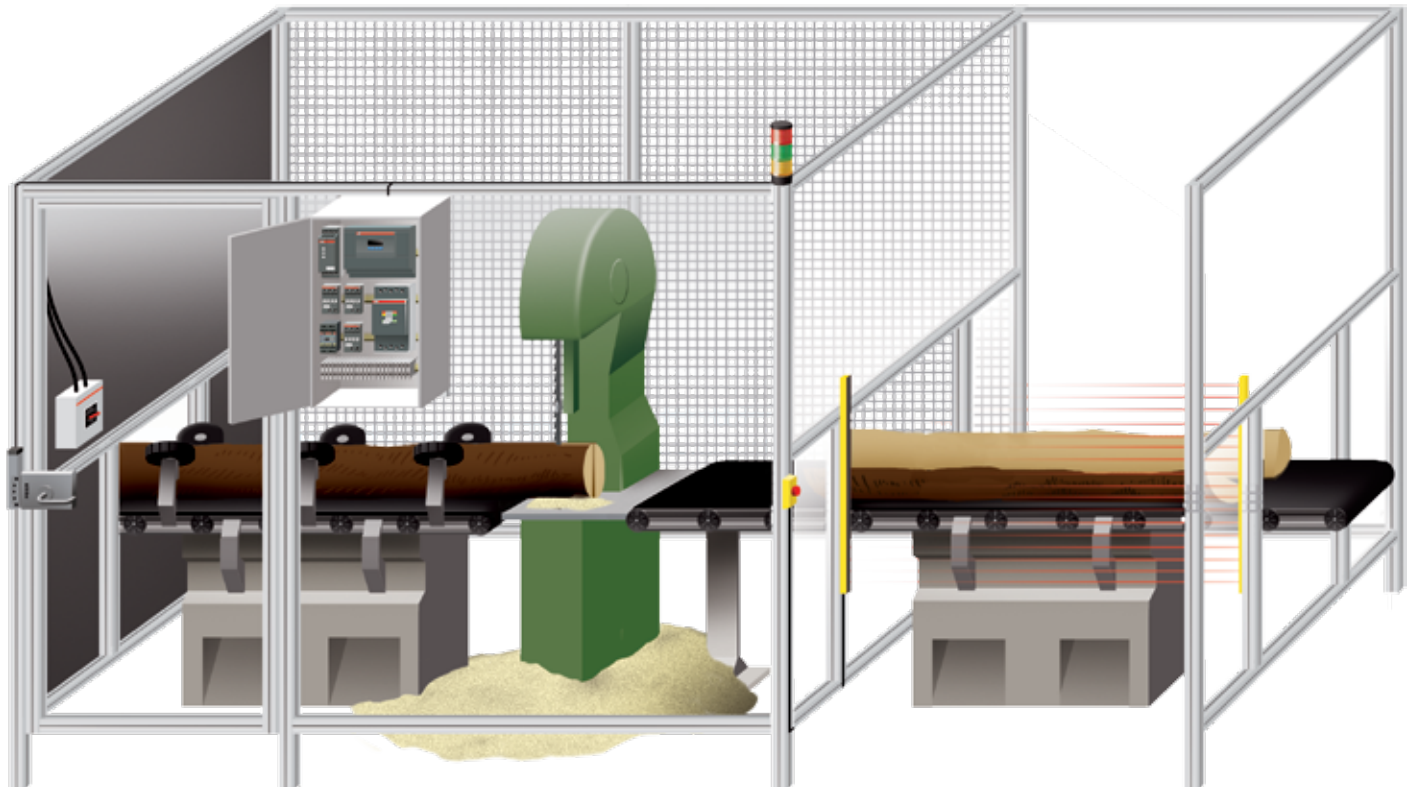
Since its inception in 1988, Jokab Safety has been adhering to the business concept of developing innovative products and solutions for machine safety. The company has supplied everything from individual safety components to fully installed protection systems for entire production lines, and works on a daily basis with the practical application of safety requirements in combination with production requirements. Jokab Safety is also represented on a variety of international standards committees concerned with the safety of machinery, which

means that we have added this very valuable experience and knowledge to our offering. Similarly, ABB has always been a pioneer and a representative for its business areas and a powerful voice in professional organisations and committees. All in all, this creates an enormous bank of knowledge and experience that we look forward to sharing with our customers.

Productivity and safety are not contradictory terms. On the contrary, safety solutions that are properly executed and adapted from the beginning will increase productivity. A partner that can deliver integrated and well thought out turnkey solutions enables a production-friendly safety environment. By building up and upgrading safety solutions in existing environments in a smart way, the mode of production will not need to be adapted to meet the requirements that safety sets. Instead, this allows a system that is manufacturing-friendly and that takes into account the business and its productivity objectives.



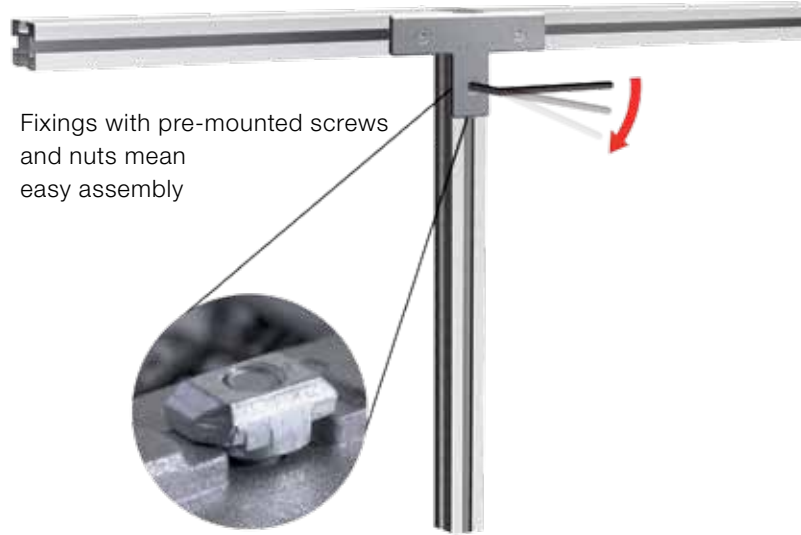
Quick-Guard fencing system is designed to be used in different types of applications and can be customized to suit specific needs. We offer all from fencing sections that can be easily assembled by the customer to tailored solutions designed by using our software SafeCAD. Today fencing systems from ABB Jokab Safety are used in many different industries e.g. wood- and manufacturing industries.



Standard components with endless possibilities



Light aluminium profiles allow ergonomic assembly



Fixings with pre-mounted screws and nuts mean easy assembly

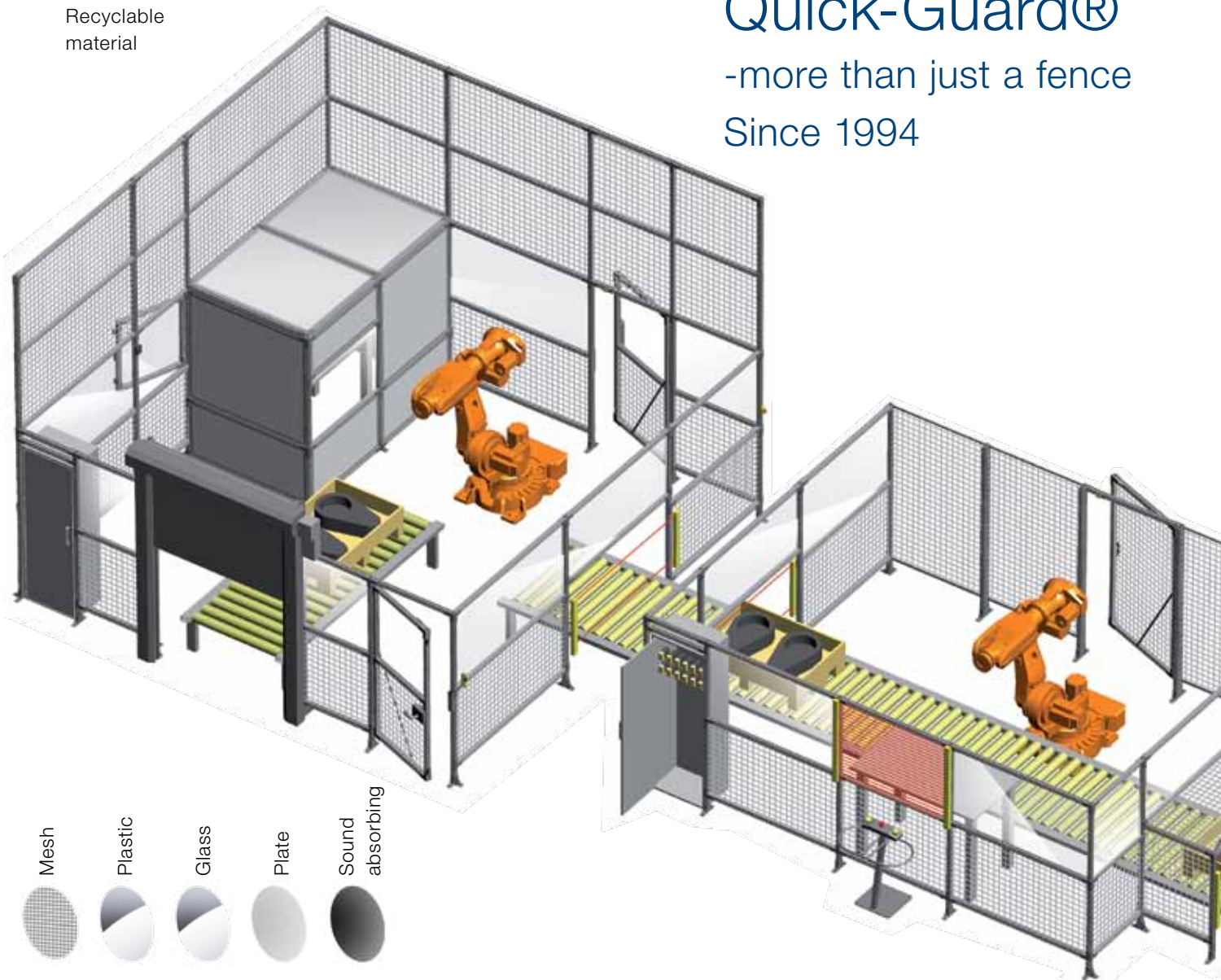


Short delivery times



Recyclable material

Quick-Guard®
-more than just a fence
Since 1994



Mesh



Plastic



Glass



Plate



Sound absorbing

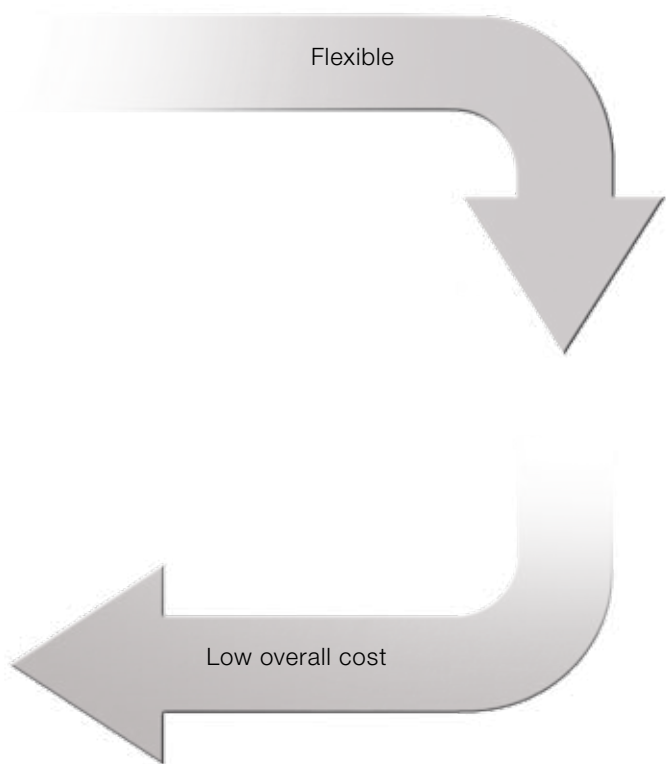




Width, length and height adapted and easily changed according to needs

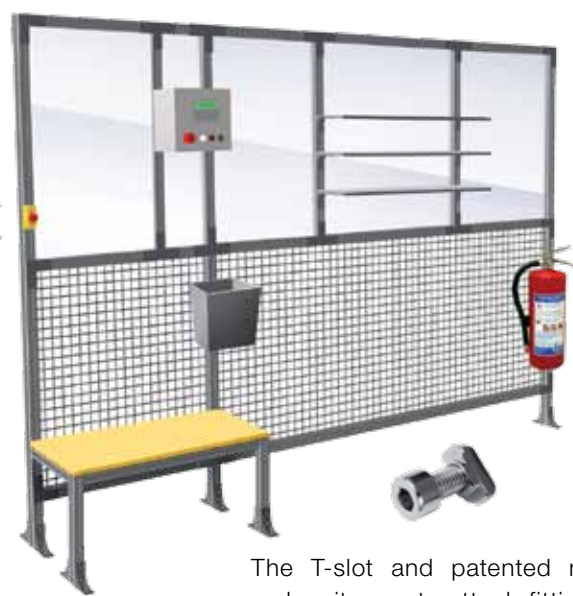
± 45°

Flexible



Low overall cost

Easy to adjust the position of fittings



The T-slot and patented nut makes it easy to attach fittings to the fencing profiles



Choose from a large selection of automatic and manual hatches and doors

Quick-Guard® - fencing system

A flexible and stable fencing system which is easy to install



Quick-Guard Standard assembled with mesh.



Quick-Guard Standard with black and transparent Polycarbonate in-fill panels as used for medical applications.



Quick-Guard E with few components and easy to angle at up to 45°.

Advantages

- Brackets are supplied pre-mounted with screws and nuts
- Easy to adjust, assemble and modify
- Designed for various types of mesh, solid and noise reduction panels
- Short delivery time
- SafeCAD, a special program for drawing Quick-Guard in 3D, from which 2D and other 3D views can be created. Cutting lists can also be created from this program.

Adaption and Modification

Quick-Guard is a very flexible fencing system consisting of a minimum of different components, e.g. aluminium profiles, patented brackets, net-locks, mesh, solid or noise reduction panels. Using these components there are almost no limitations as to what can be built. Quick-Guard fencing costs little to assemble and modify.

Assembly

Due to our patented screw-lock system, we can supply all brackets pre-mounted with fixing screws and nuts. No holes need to be drilled in the profiles and all cutting is straight. This makes assembly and modification very easy.

Two versions of Quick-Guard

The Quick-Guard fencing system is available in two versions, Quick-Guard (Standard) and Quick-Guard E which also can be combined. The fencing systems are also easy to adjust when production equipment is modified and/or moved.

Proposal and ordering

By utilising our AutoCAD-based SafeCAD program we are able to make system designs in 3-D very quickly. Drawings, cutting lists, etc. are generated from SafeCAD and the drawings can also be used for installation purposes.

Our policy - To create systems that are environmentally friendly and provide ergonomic working conditions

Quick-Guard is environmentally friendly. All components in the Fencing System can easily be disassembled and reused. All materials in the Fencing System are 100% recyclable. Quick-Guard can also provide a pleasing ergonomic working environment.

Quick-Guard Fencing System, what does it manage?

Quick-Guard is a fencing system which is designed to manage the requirements from a safety perspective. It manages to stop machine parts and material that, during a malfunction, can be thrown against the fence. We have run impact tests using a large industrial robot, the ABB IRB 6600, which ran at a speed above 1 m/s into the fencing. Both our Standard and Express fencing system withstood this. Thanks to our patented net-lock, both net and polycarbonate panels remained firmly attached to the aluminum profile. In our tension-tests of up to 500 kg, both net and polycarbonate panels also remained firmly in the aluminum profiles. The fence was deformed during the collision but it sprung back, with some deformation as a result.

What does the standard say?

EN ISO 13857 applies as safety distance for the risk zones. The standard includes the dimensions that apply for safety distances in various risk situations. The adjacent figure shows examples of dimensions for safety distances for two different fence heights where the risk of injury is relatively small when you reach in.

With respect to mesh, you specify a minimum distance of 200 mm (for people 14 and above) for mask size 40 x 40 mm. For shorter distances and for noise reduction we use fully fitting panels. When the fence is to protect a robot cell, for example, the fence protection should be placed at a minimum distance of 500 mm between the fence protection and the moving machine part that reaches furthest out (as per EN 349). When test running or programming there must be a space between the fencing and any moving parts to ensure the operator does not become wedged between them.

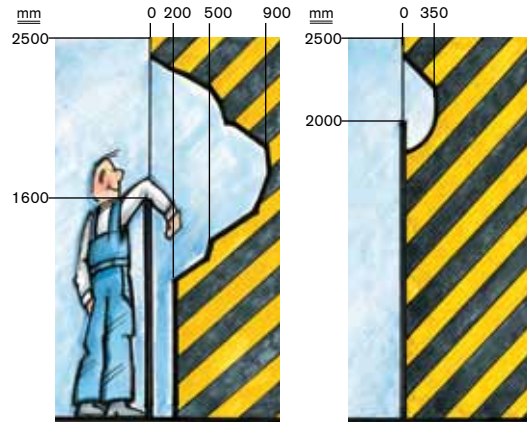
For protection that needs to be mounted and removed again, for example for maintenance, the Machinery Directive requires that fasteners remain in place on the protection. We normally deal with this using interlocked doors/gates for faster and safer access.

Feel free to consult us about the requirements in regulations and standards.

Patented assembly function

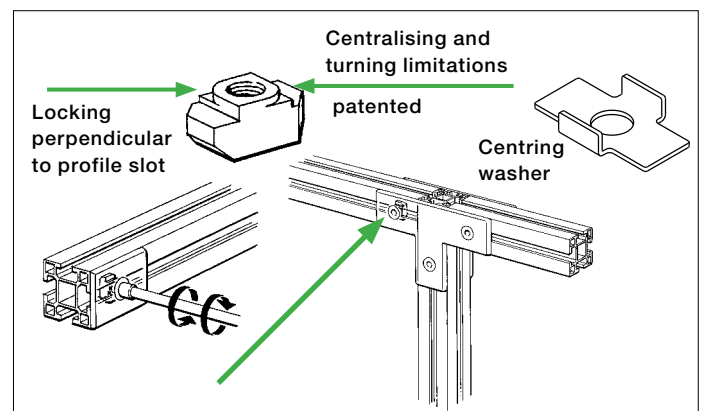
The Jokab Safety patented guide and locking method makes it simple to assemble and dismantle the fencing system. The nut has several advantages, it can easily be located into the profile and automatically positions itself when the screw is turned 90 degrees clockwise. When in this position the bracket being fixed can be adjusted as required and locked by turning the screw further clockwise. To remove the bracket the fixing screw is turned anti-clockwise until the nut is in line with the profile slot.

All fittings are supplied Pre-assembled. Fittings that do not have a cast-in tab can be provided with a centring washer.



Safety distance for 1600 mm guarding with standard mesh. Safety distance for 2000 mm guarding with solid screens (e.g. polycarbonate sheet).

Safety distance for 1600 mm guarding with standard mesh. Safety distance for 2000 mm guarding with solid screens (e.g. polycarbonate sheet).



Mount the fixtures by first slackening the screw 3/4 turn anti-clockwise. Then tighten the screw clockwise in the usual way. The nut will then automatically mechanically lock the fixture into the profile.

Quick-Guard® is supplied in three ways

1. To be designed on site

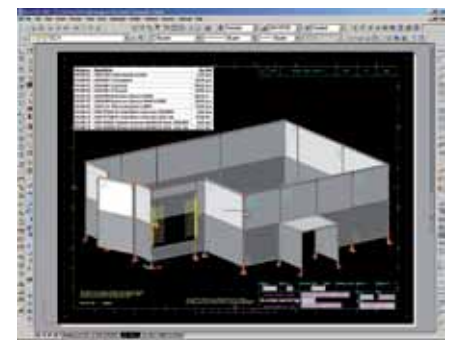
You only order sections consisting of a few components. Then the fencing system is built on site. A manual mesh clipping tool, for easy cutting of the mesh, is provided with the delivery if needed.

2. Cut to size according to drawing

You give us a simple sketch or a AutoCAD® file of how you want the fencing system to look. We input this information into SafeCAD and design the fence in 3D. From this drawing, cutting and component lists and a quotation are generated automatically.

3. Pre-mounted or assembled on site

We can deliver full/partially pre-assembled fencing systems or we can assemble them on site.

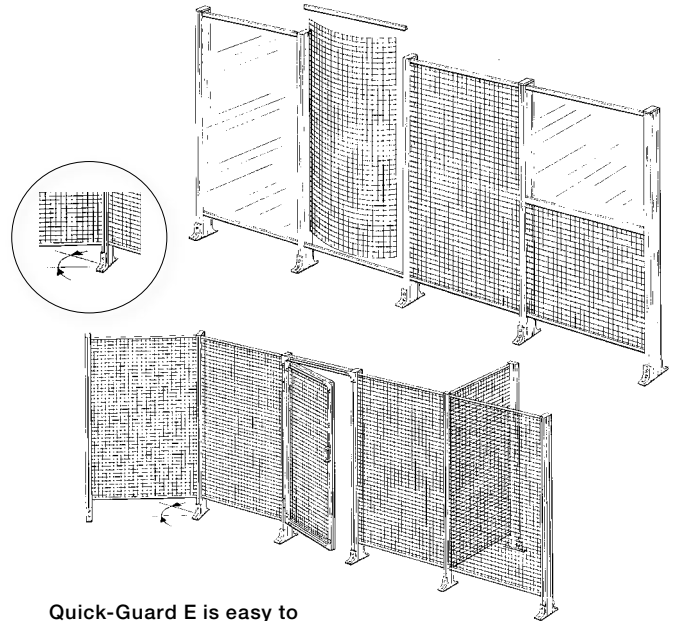


Quick-Guard® E - design directly on site

Quick-Guard E is installed quickly and cost effectively because it only consists of patented net-locks, welded mesh, panels of polycarbonate, u-profiles and fence posts (profiles with floor-brackets). All parts for Quick-Guard and pre-assembled doors are delivered immediately from stock. The few components of the fencing system make it easy for you to custom build and install the fencing system yourselves.

The strength of the fencing system originates from the fact that the welded mesh and/or panels of polycarbonate are 'locked' into the profile. The outer wire of the mesh is locked by uniquely designed 'netlocks' into the profile making the fixing virtually as strong as being welded. The polycarbonate panels are locked in with specially designed infill-locks which, according to our tests, have been as strong as the mesh netlock system. If you want more stable fencing posts, you can choose a sturdier profile measuring 44 x 88 mm instead of the standard 44 x 44 mm profile.

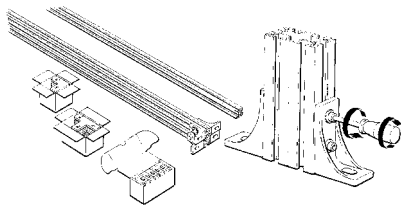
It is always easy to combine Quick-Guard E with Quick-Guard standard to achieve a complete system. It is also easy to adjust and modify the guarding system when production equipment is modified and/or moved.



Quick-Guard E is easy to assemble and to angle 45°.

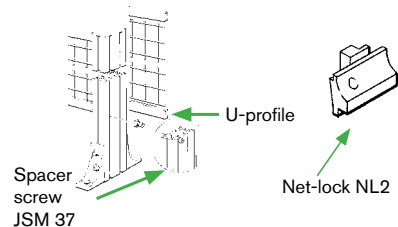
Assembly of Quick-Guard E

1.



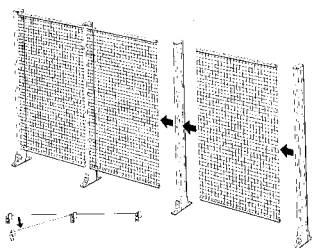
Premount floor fixtures on vertical posts. Mount fixtures by first slackening the screw anti-clockwise. Then tighten the screw clockwise in the usual way, the nut will then automatically locate into the correct position and mechanically lock the fixture into the profile. Make sure that the nut has turned correctly.

2.



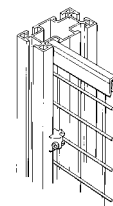
1. Mount a spacer screw 180 mm from the floor in the posts.
2. Attach the lower U-profile and mesh lock JSM NL2 to the mesh.
3. Push the mesh into the profile and fix the mesh with NL2 netlocks.
4. Fix top u-profile in place either before or after inserting the mesh.

3.



Assemble the next section. The distance between the posts can be adjusted some mm after the mesh is locked in with the Net-locks. The mesh can be angled up to 45° without using hinges (JSM 35-K).

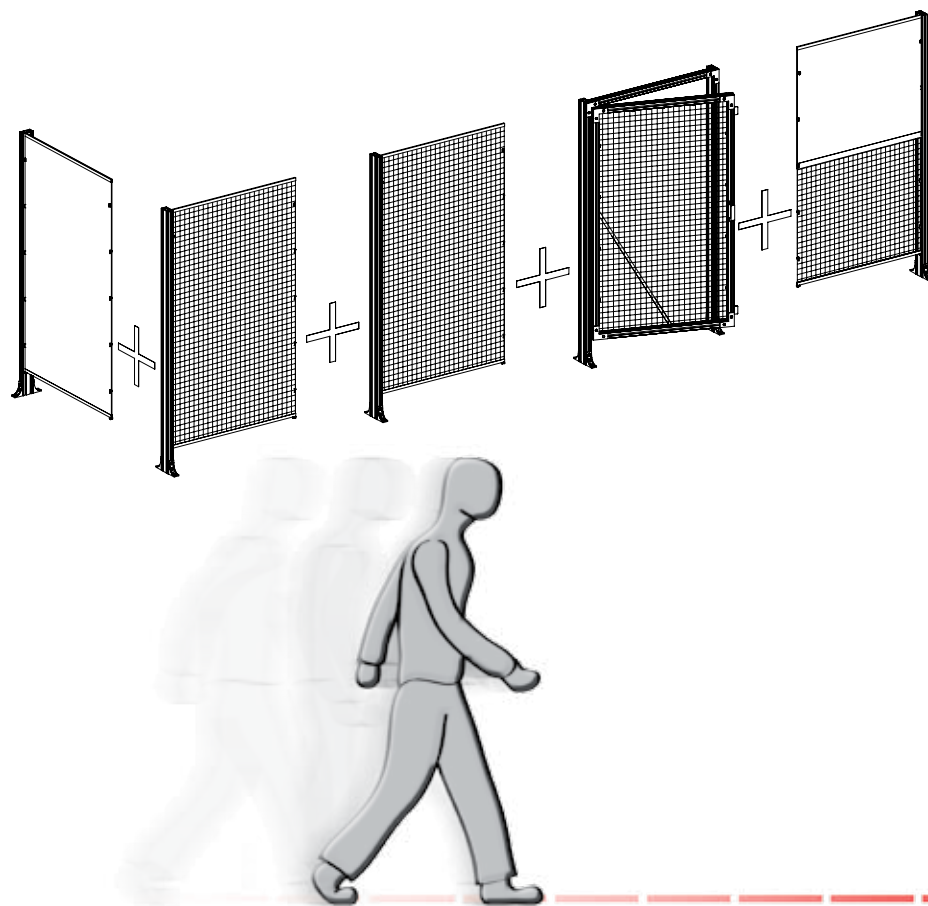
4.



Lock the top of the mesh using NL3 netlocks; this way the mesh is secured, stabilised and electrically grounded. Grounding is needed when electrical devices or cables are assembled on the mesh.

Quick-Guard® E

- can be ordered in sections



Quick-Guard Express can be ordered in different sections consisting of a few components. By adding the different sections, one can easily build a guard fencing system.

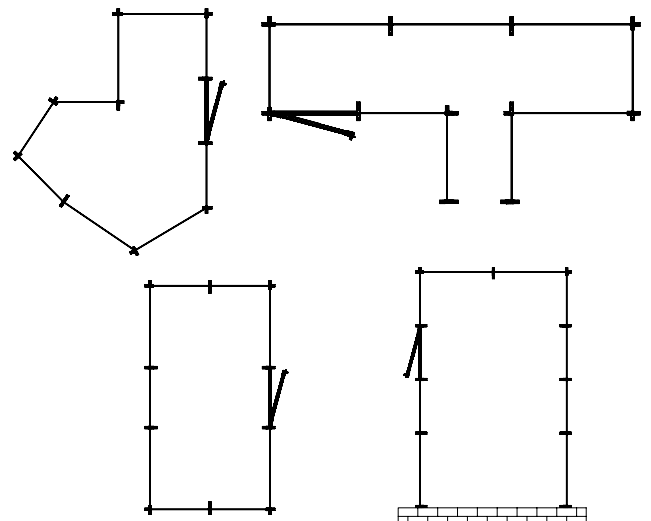
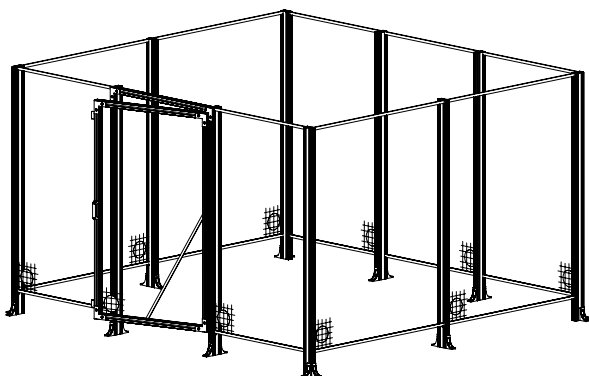
One can easily assemble the Express sections. It is also possible to angle these sections (45°). The mesh can easily be cut to the desired size with a simple clipping tool.

Measure the number of metres of fencing that are required and determine the number of doors. Our two standard sections have a cc width of 1100 mm and 1500 mm. The cc for the door is 1100 mm and fits anywhere the cc is 1100 mm between the posts.

If dimensions other than the standard dimensions are needed, just cut the mesh to the correct size with a bolt cutter.

The same fencing sections can be erected in several ways.

- 4 pcs 1500 sections
- 5 pcs 1100 sections
- 1 pc door



Quick-Guard® standard and SafeCAD®

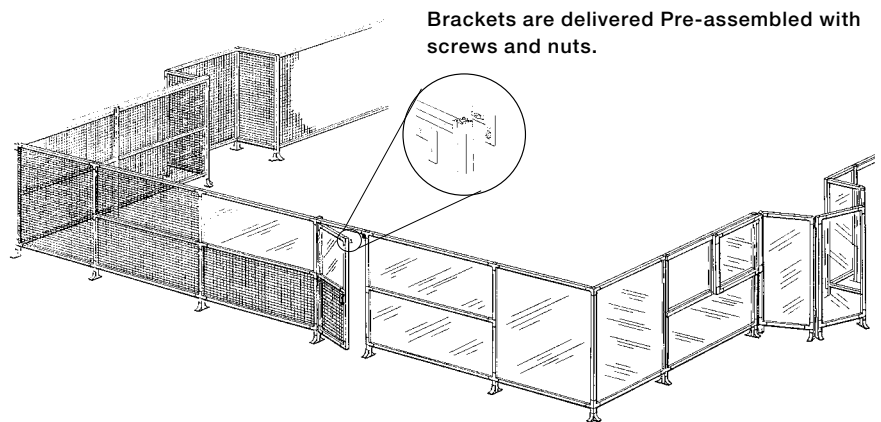
Buy cut to length in accordance with drawing, pre-assembled or fitted on site.

Quick-Guard consists of a minimum of different components, such as aluminum profiles, patented assembly parts, net-locks, mesh, solid or noise reduction panels. Furthermore the cost for assembly and modification of the system is low. Thanks to our patented screw-lock system, we can supply all brackets pre-mounted with fixing screws and nuts. No holes need to be drilled in the profiles and all cuts are made straight. Assembly and modification is therefore very easy.

To be able to quickly and easily custom design practical safety solutions, we have developed a computer programme, SafeCAD. This is a 'plug-in' program for AutoCAD®. A simple sketch of the guarding system that is required is used

as the program input. The positions of doors and hatches, choice of mesh, polycarbonate, aluminum/steel sheet or noise reduction panels are typed in. The program automatically generates 3D drawings along with component and cutting lists. These drawings are also used as the basis for assembly/installation.

It is always easy to combine Quick-Guard E with Quick-Guard to achieve a complete system. It is also easy to adjust and modify when the production equipment is modified and/or moved.



With SafeCAD® we can easily tailor your protection solution together

Example of component and cutting list print-outs from SafeCad.

Article no.	Description	Qty	Length	Width	Sum.m ²
Quote					
40-030-06	JSM 30B-K Floorbracket	26,00			
40-030-07	JSM 32B-K L-bracket	72,00			
40-030-08	JSM 33B-K T-bracket	18,00			
Cutlist Polycarbonate					
40-039-10	JSM YPC5A1 Pc sheet 5mm uncoloured 2020x864	1	864	2020	1,75
40-039-12	JSM YPC5A9 Pc sheet 5mm uncoloured, cut to size	1	532	1020	0,54
40-039-12	JSM YPC5A9 Pc sheet 5mm uncoloured, cut to size	1	756	504	0,38
Cutlist Welded Mesh					
40-040-13	JSM YN40W1 Welded steelmesh 40x40x3,5 black, 2020x864	1	864	2020	1,75
40-040-14	JSM YN40W2 Welded steelmesh 40x40x3,5 black, 1074x1816	2	1820	1074	3,91
40-040-16	JSM YN40W9 Welded steelmesh 40x40x3,5 black, cut to size	2	864	354	0,61
40-040-16	JSM YN40W9 Welded steelmesh 40x40x3,5 black, cut to size	1	864	804	0,69
40-040-16	JSM YN40W9 Welded steelmesh 40x40x3,5 black, cut to size	1	864	920	0,79
40-040-16	JSM YN40W9 Welded steelmesh 40x40x3,5 black, cut to size	2	864	932	1,61

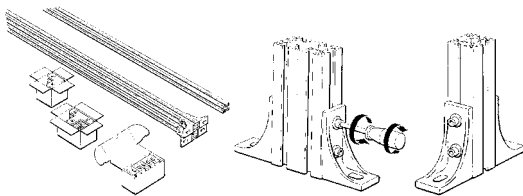
Quick-Guard® Assembly, standard version



Assembly of the Quick-Guard® system is very easy. All components are very light in weight and ergonomic in design. This enables, in most cases, one man to be able to assemble both simple and complex structures with ease using very few different types of fixing components. All fixtures can be

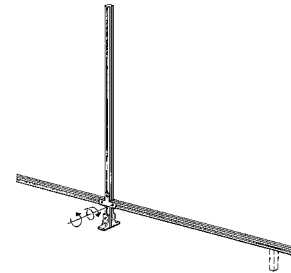
mounted easily from “outside” by using the specially designed “locking nut” which can be located anywhere in the extrusion channel. The fixture components, by means of integral locating keys, ensure that correct angles are achieved and enable the number of bolts/nuts to be reduced to half the number that would otherwise be required.

1.



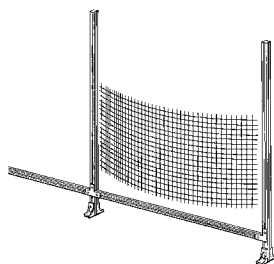
Premount floor fixtures by first slackening the screw anti-clockwise. Then tighten the screw clockwise in the usual way. The nut will then automatically locate into the correct position and mechanically lock the fixture into the profile.

2.



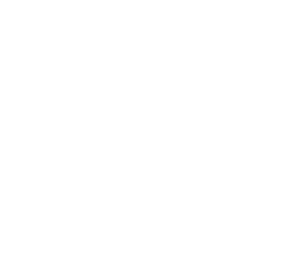
Attach lower horizontal extrusion between vertical posts. Use a spacing block to ensure the correct distance from the floor.

3.



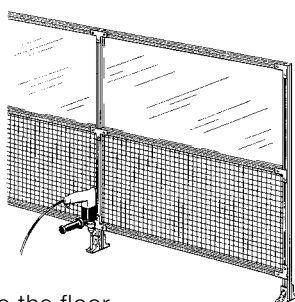
Insert infill panel and fix middle horizontal profile. The distance between the profiles is the width of the infill minus 20 mm.

4.



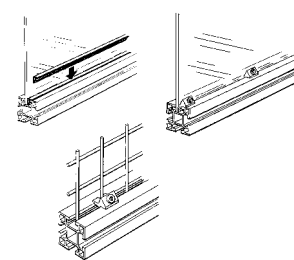
Insert top infill panel. Fix top profile with fittings on the top on both sides.

5.



Fix the poles to the floor.

6.

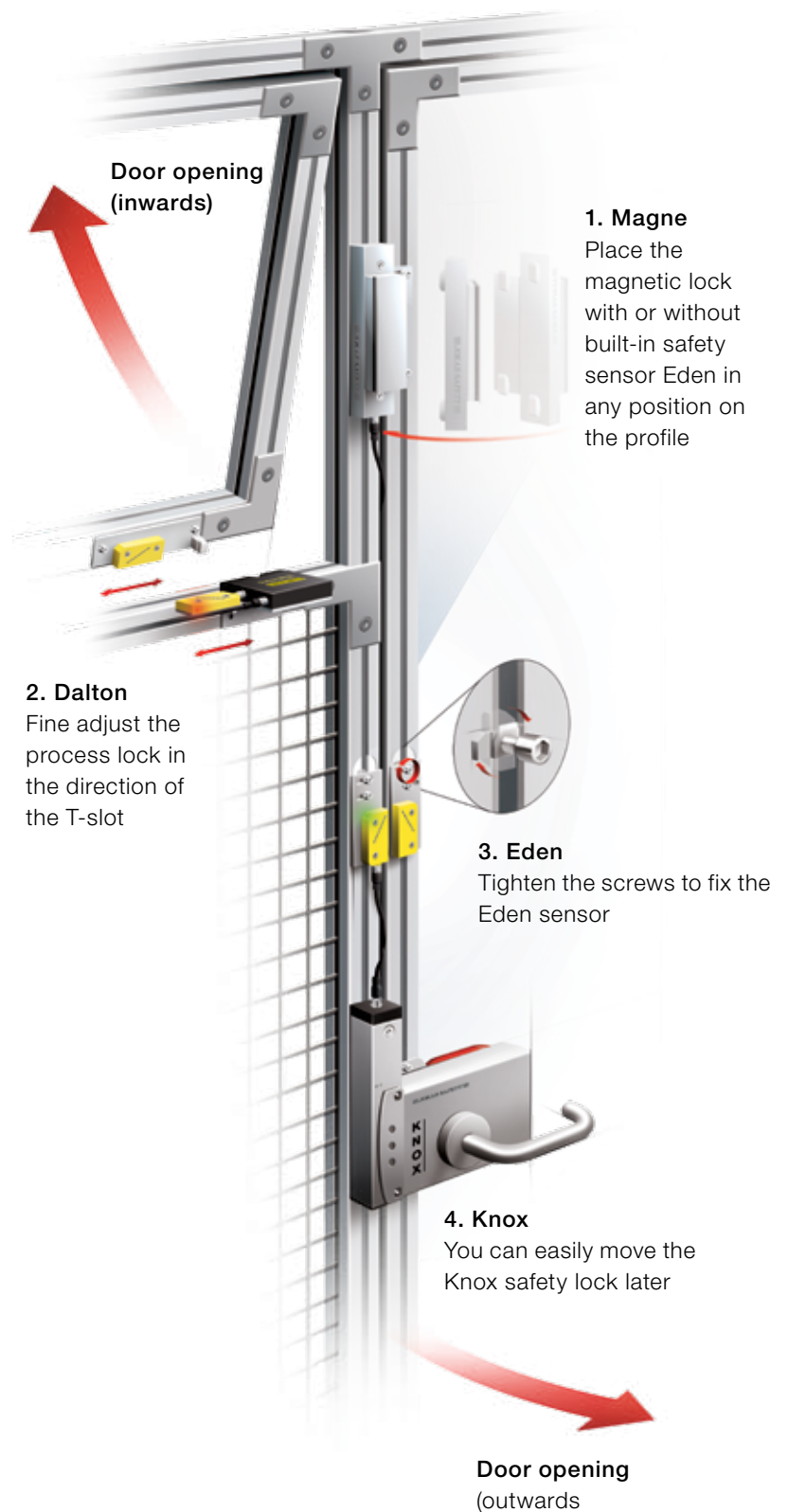
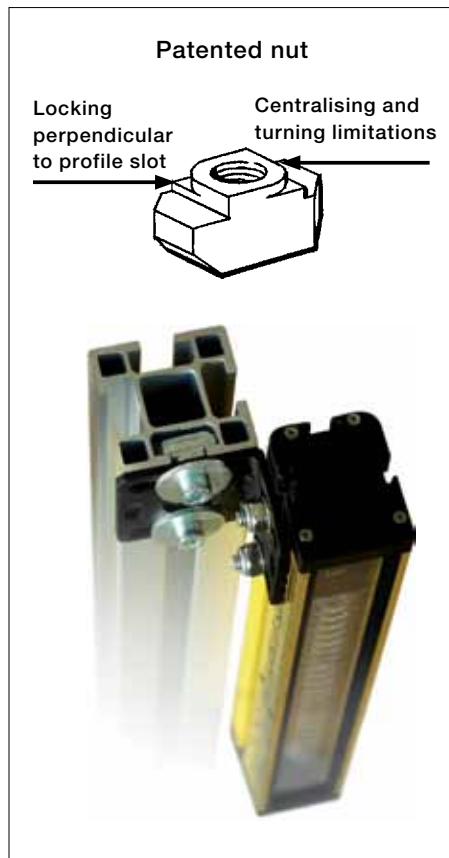


Secure infill sheet with plastic strip or Net-lock fixings. Easy, fast and quick. See more under Assembly of netlocks. If there is a risk of the robot striking the polycarbonate, JSM PL3 panel locks must be used.

All of our sensors, light grids, emergency stops and control devices are easy to mount, adjust and dismount in the profile's T-slot thanks to our special nuts. Because we don't have to drill in the profile, there are no marks if you want to move a sensor or rebuild

Assembly

1. Mount the product anywhere on the profile.
2. Fine adjust the product in the direction of the T-slot.
3. Tighten the screws to fix the product.
4. You can easily move the product later.


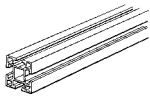
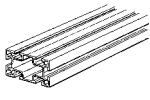
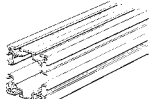

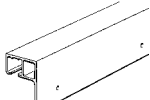
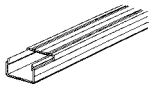
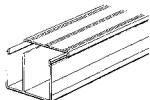
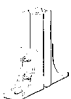
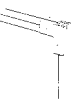
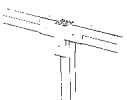
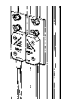




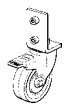
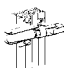
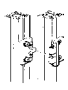
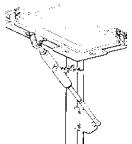
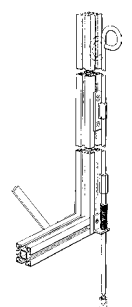
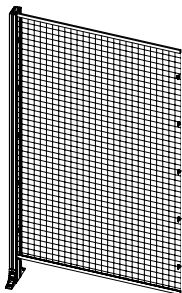
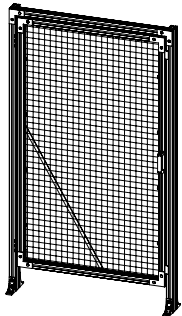

We customise the fencing system to suit your needs

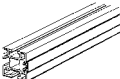
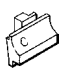





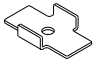
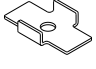

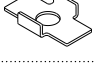
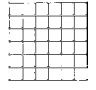
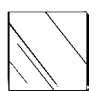
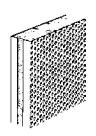


Double levels with Quick-Guard Express for protection to portal robots. Galvanized mesh fitted outdoors for timber intake at saw mill. Robot cell. PC (polycarbonate) and glass all the way down to the floor. Glass and perforated for Stockholms Lokaltrafik (Stockholm Public Transport). High sliding door adapted for trucks. 3D view of a protection cell with PC (polycarbonate) and the same protection cell in reality to the right. Fully-sealed sections of glass and sound absorbent.

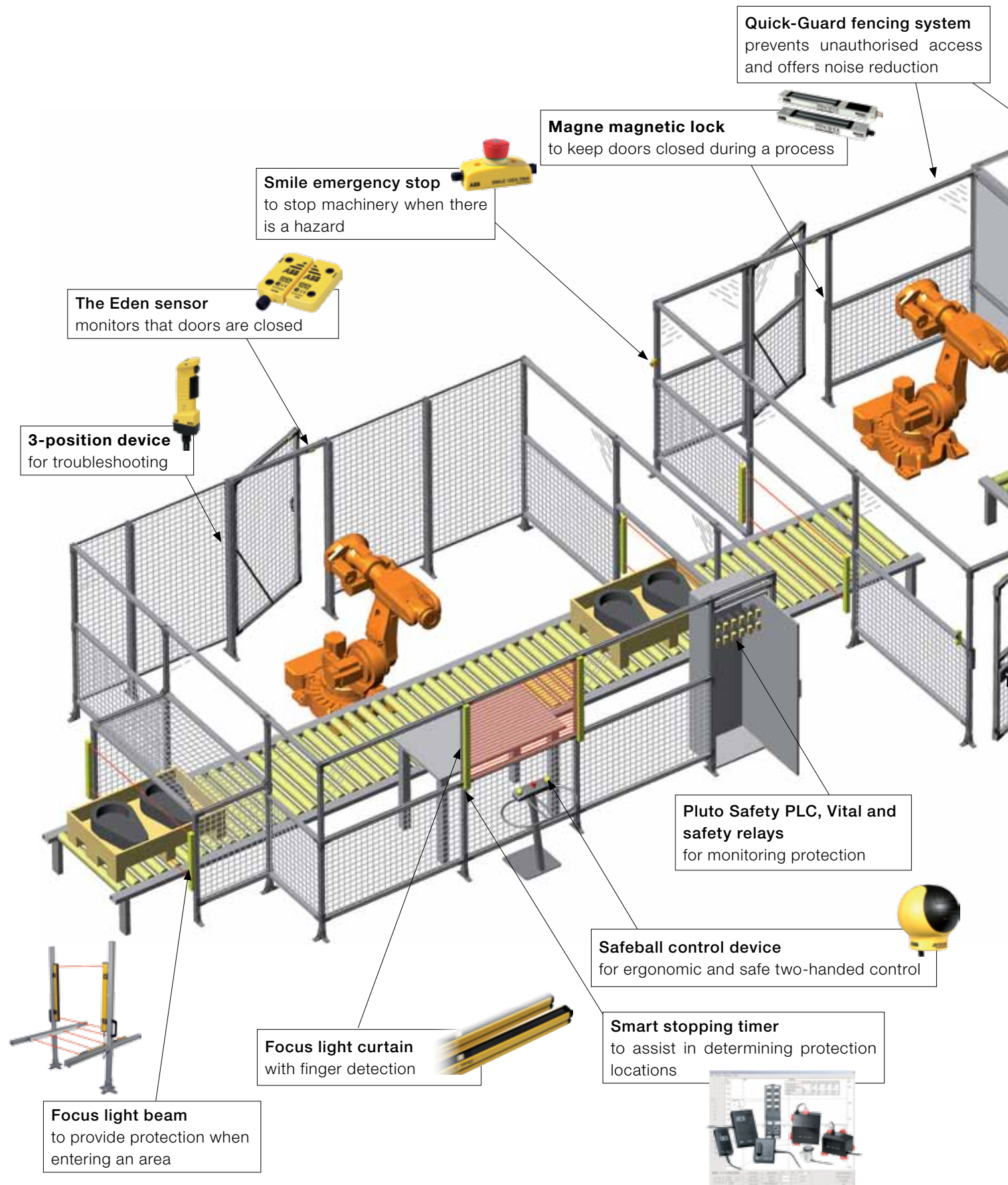
Our most frequently used fencing components

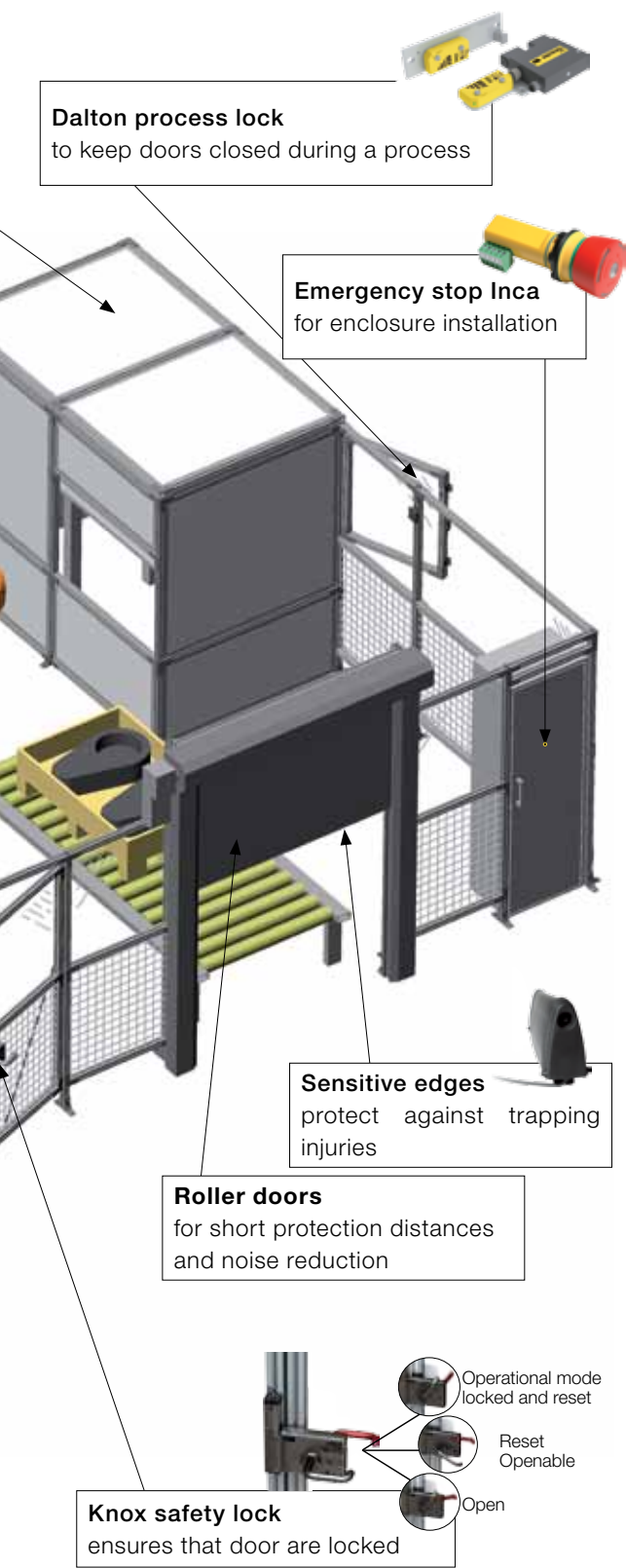
	JSM A4416	2TLA040037R7000	Aluminium profile, 44 × 16 mm, natural anodized cut to length max 6000 mm.
	JSM A4416, 6000 mm	2TLA040037R7400	Aluminium profile, 44 × 16 mm, natural anodized L=6000 mm.
	JSM A44A	2TLA040037R3500	Aluminiumprofil 44 x 44 mm Naturanodiserad Måttkapad (max längd 6000 mm).
	JSM A44A, 1100 mm	2TLA040037R3600	Aluminium profile, 44 x 44 mm, natural anodized L=1100 mm.
	JSM A44A, 1400 mm	2TLA040037R9800	Aluminium profile, 44 x 44 mm, natural anodized L=1400 mm.
	JSM A44A, 2000 mm	2TLA040037R3700	Aluminium profile, 44 x 44 mm, natural anodized L=2000 mm.
	JSM A44A, 2200 mm	2TLA040037R3800	Aluminium profile, 44 x 44 mm, natural anodized L=2200 mm.
	JSM A44A, 2400 mm	2TLA040037R3900	Aluminium profile, 44 x 44 mm, natural anodized L=2400 mm.
	JSM A44A, 2500 mm	2TLA040037R4000	Aluminium profile, 44 x 44 mm, natural anodized L=2500 mm.
	JSM A44A, 6000 mm	2TLA040037R4100	Aluminium profile, 44 x 44 mm, natural anodized L=6000 mm.
	JSM A4488A	2TLA040037R4200	Aluminium profile, 44 x 88 mm, natural anodized cut to length.
	JSM A4488A, 2000 mm	2TLA040037R4300	Aluminium profile, 44 x 88 mm, natural anodized L=2000 mm.
	JSM A4488A, 2200 mm	2TLA040037R4400	Aluminium profile, 44 x 88 mm, natural anodized L=2200 mm.
	JSM A4488A, 6000 mm	2TLA040037R4500	Aluminium profile, 44 x 88 mm, natural anodized L=6000 mm.
	JSM A8888A	2TLA040037R7500	Aluminium profile, 88 × 88 mm, natural anodized cut to length, max 6000 mm.
	JSM A8888A, 6000 mm	2TLA040037R7900	Aluminium profile, 88 × 88 mm, natural anodized L=6000 mm.
	JSM A12	2TLA040037R2800	U-profile for Quick-Guard E. Natural anodized Aluminium. Cut to length, max 2000 mm.
	JSM A12, 1076 mm	2TLA040037R2700	U-profile for Quick-Guard E with length 1100 mm c-c profiles. Natural anodized Aluminium. Length 1076 mm.
	JSM A12, 1476 mm	2TLA040037R4600	U-profile for Quick-Guard E with length 1500 mm c-c profiles. Natural anodized Aluminium. Length 1476 mm.
	JSM A12, 2000 mm	2TLA040037R4700	U-profile for Quick-Guard E. Natural anodized Aluminium. Length 2000 mm.
	JSM A56	2TLA040037R4900	Guiding rails for slidingdoors. JSM D5 fit this rail. Natural anodized Aluminium, max length 6000 mm.
	JSM A56	2TLA040037R0800	Guiding rails for slidingdoors. JSM D5 fit this rail. Natural anodized Aluminium, length 2000 mm.
	JSM A56	2TLA040037R4800	Guiding rails for slidingdoors. JSM D5 fit this rail. Natural anodized Aluminium, length 6000 mm.
	JSM A25A,	2TLA040037R1300	Cable duct 44 × 25 mm with holes c-c =500 mm diameter=5. Natural anodized Aluminium. Length 2000 mm.
	JSM A25B,	2TLA040037R1400	Cable duct 44 × 25 mm without holes. Natural anodized Aluminium. Length 2000 mm.
	JSM A88,	2TLA040037R3300	Cable duct 88 × 68 mm without holes. Natural anodized Aluminium. Length 2000 mm.
	JSM 39-K	2TLA040030R1400	Floor bracket in Aluminium. Dimension 40 × 70 × 100 mm, pre-assembled. Not recommended for fences with height over 2500 mm.
	JSM 32B-K	2TLA040030R0700	L-shaped mounting bracket in Aluminium for mounting the profiles together, pre-assembled.
	JSM 33B-K	2TLA040030R0800	T-shaped mounting bracket in Aluminium for mounting the profiles together, pre-assembled.
	JSM D4H	2TLA040033R3600	Fitting for Adam & Eva (Eden) for conventional- and folding door/hatch. Need two pieces for a complete Eden.
	JSM D2	2TLA040033R0100	JSM D2 Handle including screw.

	JSM D5	2TLA040033R0400	Suspension wheel for sliding-/folding door. Suitable in JSM A3130B and JSM A56.
	JSM D9-K	2TLA040033R1100	Support wheel with lock/brake, including angled bracket. Wheel diameter 75 mm, height 97 mm. Maximal load 60kg.
	JSM D3	2TLA040033R0200	Door closer incl. mounting components, for conventional door/hatch.
	JSM D11B	2TLA040033R4100	Ball latch for conventional door/hatch.
	JSM D22	2TLA042024R1000	Gas spring incl. fittings. Stroke 300 mm.
	JSM D22A	2TLA042024R1100	Gas spring incl. fitting. Stroke 350 mm.
	JSM D10B	2TLA040033R3800	Door bolt with spring for doors down to floor. Brackets are in Zinc-plated steel, Rod are in Stainless steel. Total height 995 mm.
	JSM E11-N20 x 8	2TLA040101R0300	Quick-Guard E section with one 44 x 88 mm profile and welded mesh 1074 x 1816 mm. Total height 2000 mm, width 1100 mm c-c profiles.
	JSM E15-N20 x 8	2TLA040101R0900	Quick-Guard E section with one 44 x 88 mm profile and welded mesh 1474 x 1816 mm. Total height 2000 mm, width 1500 mm c-c profiles.
	JSM E11-PC20 x 8	2TLA040101R5300	Quick-Guard E section with one 44 x 88 mm profile and polycarbonate 1074 x 1816 mm. Total height 2000 mm, width 1100 mm c-c profiles.
	JSM E11-N22 x 8	2TLA040102R0300	Quick-Guard E section with one 44x88 mm profile and welded mesh 1074 x 2016 mm. Total height 2200 mm, width 1100 mm c-c profiles.
	JSM E15-N22 x 8	2TLA040102R0800	Quick-Guard E section with one 44 x 88 mm profile and welded mesh 1574 x 2016 mm. Total height 2200 mm, width 1500 mm c-c profiles.
	JSM E11-PC22 x 8	2TLA040102R5300	Quick-Guard E section with one 44 x 88 mm profile and polycarbonate 1074 x 2016 mm. Total height 2200 mm, width 1100 mm c-c profiles
	JSM E11-N/PC20 x 8	2TLA040104R0100	Quick-Guard E section with one 44 x 88 mm profile, welded mesh and polycarbonate. Total height 2000 mm, width 1100 mm c-c profiles.
	JSM E11-N/PC22 x 8	2TLA040105R0100	Quick-Guard E section with one 44 x 88 mm profile, welded mesh and polycarbonate. Total height 2200 mm, width 1100 mm c-c profiles.
	JSM E11-N20G	2TLA040101R0500	Quick-Guard E door section with 44x44/44x88 mm profiles. Including components profiles, floor brackets, netlocks, premounted doorleaf with welded mesh. Total height 2000 mm, width 1100 mm c-c profiles.
	JSM E11-PC20G	2TLA040101R5500	Quick-Guard E door section with 44 x 44/44 x 88 mm profiles. Including components profiles, polycarbonate, floor brackets and netlocks. Total height 2000 mm, width 1100 mm c-c profiles.
	JSM E11-N22G	2TLA040102R0500	Quick-Guard E door section with 44 x 44/44 x 88 mm profiles. Including components profiles, floor brackets, netlocks, premounted doorleaf with welded mesh. Total height 2200 mm, width 1100 mm c-c profiles.
	JSM E11-PC22G	2TLA040102R5500	Quick-Guard E door section with 44 x 44/44 x 88 mm profiles. Including components profiles, floor brackets, netlocks, premounted doorleaf with Polycarbonate. Total height 2200 mm, width 1100 mm c-c profiles
	JSM E11-N/PC20G	2TLA040104R0300	Quick-Guard E door section with 44 x 44/44 x 88mm profiles. Including components profiles, welded mesh, polycarbonate, floor brackets and netlocks. Total height 2000 mm, width 1100 mm c-c profiles.
	JSM E11-N/PC22G	2TLA040105R0300	Quick-Guard E door section with 44 x 44/44 x 88 mm profiles. Including components profiles, welded mesh, polycarbonate, floor brackets and netlocks. Total height 2200 mm, width 1100 mm c-c profiles.
	JSM L1A	2TLA040034R0000	Terminal cap in yellow for profiles 44 x 44 mm. Made in Polymide.
	JSM L1B	2TLA040034R0300	Terminal cap in grey for profiles 44 x 44 mm. Made in Polymide.

	JSM T3A	2TLA040037R3100	Cover strip in yellow ABS, length 2000 mm, wide 16 mm.
	JSM T3B	2TLA040037R3200	Cover strip in grey ABS, length 2000 mm, wide 16 mm.
	JSM NL2	2TLA040031R0600	Net lock in plastic for welded mesh with outer wire. Used in Quick-Guard E.
	JSM NL3	2TLA040031R0800	Net lock in zinc for welded mesh with or without outer wire. Used in Quick-Guard S with mesh.
	JSM M4B	2TLA040035R0700	Special nut, M4 galvanized. Packing 100 pcs / box.
	JSM M5B	2TLA040035R0400	Special nut, M5 galvanized. Packing 100 pcs / box.
	JSM M6B	2TLA040035R0500	Special nut, M6 galvanized. Packing 100 pcs / box.
	JSM M8B	2TLA040035R0600	Special nut, M8 galvanized. Packing 100 pcs / box.
	JSM B4C	2TLA040035R5000	Centring washer M4 galvanized steel. Packing 100 pcs / box.
	JSM B5C	2TLA040035R5100	Centring washer M5 galvanized steel. Packing 100 pcs / box.
	JSM B6C	2TLA040035R5200	Centring washer M6 galvanized steel. Packing 100 pcs / box.
	JSM B8C	2TLA040035R5300	Centring washer M8 galvanized steel. Packing 100 pcs / box.
	JSM YN40W1	2TLA040040R1300	Welded steelmesh 40 × 40 × 3.5 mm powder coated in black, dimension 2020 × 865 mm.
	JSM YN40W2	2TLA040040R1400	Welded steelmesh 40 × 40 × 3.5 mm powder coated in black dimension 1074 × 1816 mm (uses in Quick-Guard E with 1100 mm c-c and Height 2000 mm).
	JSM YN40W3	2TLA040040R1500	Welded steelmesh 40 × 40 × 3.5 mm powder coated in black dimension 1074 × 2016 mm (uses in Quick-Guard E with 1100 mm c-c and Height 2200 mm).
	JSM YN40W4	2TLA040040R2000	Welded steelmesh 40 × 40 × 3.5 mm powder coated in black dimension 1474 × 2016 mm (uses in Quick-Guard E with 1500 mm c-c profiles and Height 2200 mm).
	JSM YN40W5	2TLA040040R2100	Welded steelmesh 40 × 40 × 3.5 mm powder coated in black dimension 1474 × 1816 mm (uses in Quick-Guard E with 1500 mm c-c profiles and Height 2000 mm).
	JSM YN40W6	2TLA040040R2600	Welded steelmesh 40 × 40 × 3.5 mm powder coated in black, dimension 2020 × 754 mm.
	JSM YN40W7	2TLA040040R2700	Welded steelmesh 40 × 40 × 3.5 mm powder coated in black, dimension 2020 × 1174 mm.
	JSM YN40W10	2TLA040040R2800	Welded steelmesh 40 × 40 × 3.5 mm powder coated in black, dimension 1474 × 1216 mm.
	JSM YN40W11	2TLA040040R2900	Welded steelmesh 40 × 40 × 3.5 mm powder coated in black, dimension 1074 × 1216 mm.
	JSM YN40W9	2TLA040040R1600	Welded steelmesh 40 × 40 × 3.5 mm powder coated in black, cut to size, max dimension 2020 × 1474 mm.
	JSM YPC5A1	2TLA040039R1000	5 mm clear Polycarbonate dimension 2020 × 864 mm.
	JSM YPC5A2	2TLA040039R1100	5 mm clear Polycarbonate dimension 2020 × 1174 mm.
	JSM YPC5A3	2TLA040039R1700	5 mm clear Polycarbonate dimension 1074 × 1816 mm.
	JSM YPC5A4	2TLA040039R1800	5 mm clear Polycarbonate dimension 1074 × 2016 mm.
	JSM YPC5A5	2TLA040039R1900	5 mm clear Polycarbonate dimension 960 × 1698 mm.
	JSM YPC5A9	2TLA040039R1200	5 mm clear Polycarbonate max dimension 2050 × 3050 mm.
	JSM YLA25A1	2TLA040039R2600	Sound-absorbing panel 25 mm smooth (white polyester)/ perforated (galvanized), Core material is Mineral wool, Sound reduction 29dB Rw. Dimension 1963 × 1200 mm.
	JSM YLA25A9	2TLA040037R1100	Sound-absorbing panel 25 mm smooth (white polyester)/ perforated (galvanized). Core material is Mineral wool, cut to size. Sound reduction 29dB Rw.
	JSM YLA50A9	2TLA042150R2300	Sound-absorbing panel 50 mm smooth (white polyester)/ perforated (galvanized). Core material is Mineral wool, cut to size. Sound reduction 33dB Rw.

Production-friendly Safety Systems from ABB Jokab Safety





Dalton process lock
to keep doors closed during a process

Emergency stop Inca
for enclosure installation

Sensitive edges
protect against trapping injuries

Roller doors
for short protection distances and noise reduction

Knox safety lock
ensures that door are locked

Operational mode
locked and reset

Reset
Openable

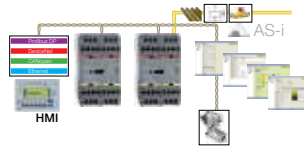
Open

Product family Jokab Safety



Training & Advice

Practical application of standards and regulations, along with CE-labelling.



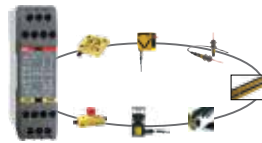
Pluto Safety PLC

A unique All-Master safety PLC for dynamic and static safety circuits.



Pluto AS-i

Programmable safety system AS-i where all units are connected to the same bus cable and the function of the unit is determined in the PLC program.



Vital safety controller

Dynamic safety circuit for multiple protection according to the highest safety category



Tina adapter units

Transformation of static signals to dynamic safety signals, etc.



Safety relays

The market's most flexible safety relays for different protection purposes and categories.



Stopping time & machinery diagnosis

Used for stopping time measurement, annual maintenance and for trouble - shooting machinery.



Light curtain/light beam/scanner

Complete range of light beams, light curtains and scanners.



Sensors/switches/locks

Dynamic non-contact sensors, safety switches, magnetic switches and locks.



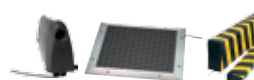
Control devices

Ergonomic three-position control units, two-hand control units and foot pedals.



Emergency stop devices

Emergency stop devices for dynamic and static safety circuits.



Contact strips/Bumpers/Safety mats

Sensitive edges, bumpers and safety mats.



Fencing systems/SafeCAD/Roller doors

A stable and flexible fencing system that is easy to install.

Contact us

ABB AB

Jokab Safety

Varlabergsvägen 11

SE-434 91 Kungsbacka

Tel. +46 (0) 21-32 50 00

www.abb.com/lowvoltage