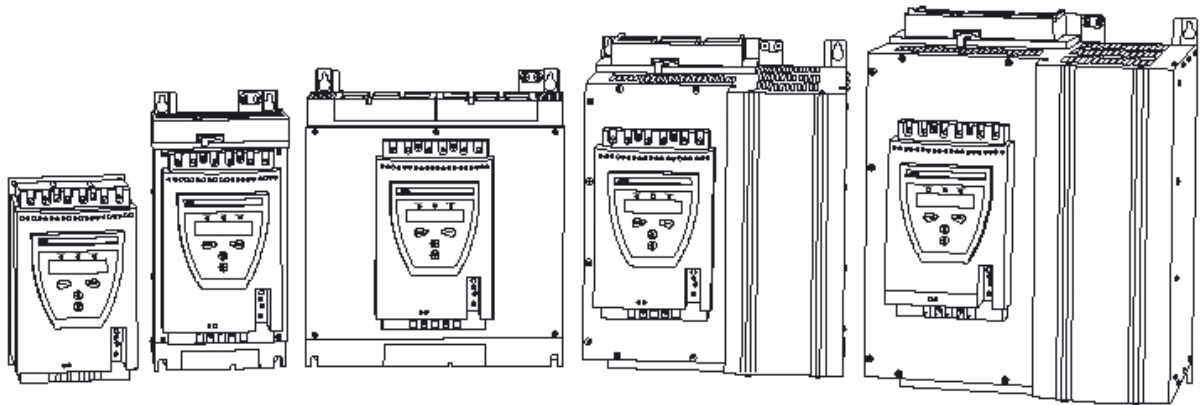


Softstarters

Type PST/PSTB
Fieldbus communication
AS-Interface

1SFC132011M0201
January 2005



ABB

AS-Interface

The AS-Interface protocol is a simple fieldbus protocol with a few digital inputs and outputs. Through the fieldbus it is possible to start/stop the motor and an additional action can be performed depending on the selected function of the programmable input In0. Status information corresponding the softstarter output relays can also be achieved.

See chapter “Setting and configuration” in the installation manual for programming of the inputs / outputs.

Before the AS-Interface fieldbus can be taken in operation following parameters must be set in the softstarter:

- Parameter *Fieldbus Ctrl* set to Yes
- Parameter *Fieldbus Type* set to AS-Int

For technical data and descriptions of the AS-Interface fieldbus plug, see document 2CDC191001D020x, available at www.abb.com/lowvoltage .



Caution!

The motor may start unexpectedly if there is a start signal present when doing any of the actions listed below.

- *Switching from one type of control to another (fieldbus control / hardwire control)*
- *Re-programming of the programmable inputs*
- *Reset all Settings (programmable input set to Enable)*

Binary input telegram
To PLC from Softstarter.

Bit	Data	Description
0	K4	Function of programmable softstarter output K4.
1	K5	Function of programmable softstarter output K5.
2	K6	Function of programmable softstarter output K6.
3	V7	Function of programmable softstarter output V7.

Binary output telegram
From PLC to Softstarter.

Bit	Data	Description
0	Start	Commence a start when signal is set.
1	Stop	Commence a stop when signal is negated.
2	In0	Function of programmable softstarter input In0.



ABB Automation Technologies AB, Cewe-Control
S-721 61 Västerås, SWEDEN
Telephone +46 21 32 07 00
TELEFAX +46 21 12 60 01