

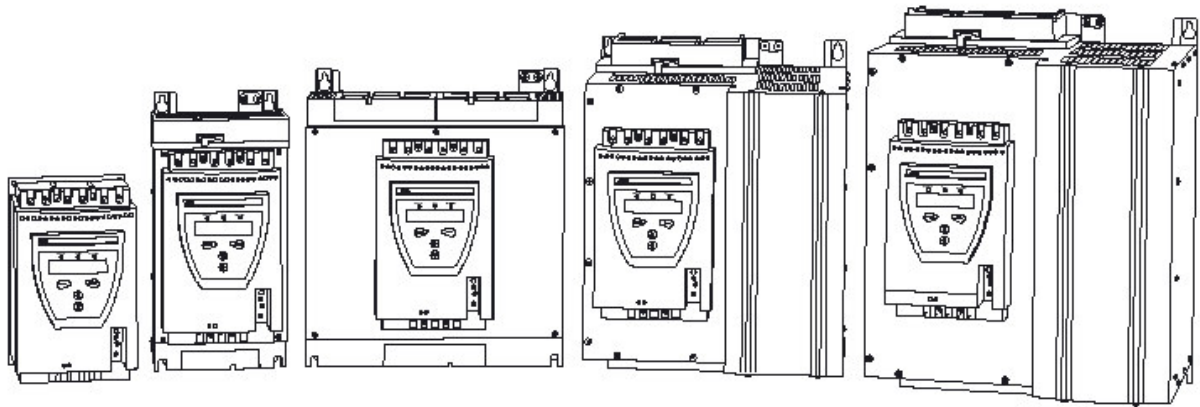
Softstarters

Type PST/PSTB

Fieldbus communication

Modbus for PST sw CU 03.04.01 and CU 03.05.00

1SFC132021M0201
August 2005



The ABB logo, consisting of the letters 'A', 'B', and 'B' in a bold, stylized, sans-serif font. The 'A' is slightly larger than the 'B's, and they are all connected at the base.

Modbus

The Modbus protocol are fieldbus protocols that provides full control and status information of the softstarter as well as writing of parameters. Through the fieldbus it is possible to start and stop the motor, perform jog, sequence start, read out currents and frequency, achieve information about protections, warnings, faults and much more. See chapter “Setting and configuration” in the installation manual for programming of the inputs / outputs.

Before the Modbus fieldbus can be taken in operation following parameters must be set in the softstarter:

- Parameter *Fieldbus Ctrl* set to Yes
- Parameter *Fieldbus Type* set to other
- Parameter *Fieldbus Addr* set to a free communication address.

For technical data and descriptions of the Modbus fieldbus plug, see document 2CDC194001D0201 available at www.abb.com/lowvoltage .

Note that the set-up varies depending on used softstarter version and this document describes the softstarter software version CU 03.04.01 and CU 03.05.00 which can be checked in the softstarter display Menu -> STATUS INFORMATION -> SW Ver CU xx.xx.xx.. Please check which is the actual softstarter version in your case.



Caution!

The motor may start unexpectedly if there is a start signal present when doing any of the actions listed below.

- *Switching from one type of control to another (fieldbus control / hardwire control)*
- *Re-programming of the programmable inputs*
- *Reset all Settings (programmable input set to Enable)*

Binary input telegram
To PLC from Softstarter.

Word in input data area	Binary input byte	Bit	Data	Description
0	0	0	K4 relay output	Status of K4
		1	K5 relay output	Status of K5
		2	K6 relay output	Status of K6
		3	V7 Programmable software output	Status of V7
		4	Start Input	Status of Start Input
		5	Stop Input	Status of Stop Input
		6	In0 Input	Status of In0
	7	In1 Input	Status of In1	
	1	8 (0)	Run	Run Status
		9 (1)	Top Of Ramp	Top Of Ramp Status
		10 (2)	Line or Inside Delta connection	0 = Line, 1 = Delta
		11 (3)	Phase sequence	0 = L1,L2,L3 1=L1,L3,L2
		12 (4)	Prot Motor OL	Event Status
		13 (5)	Prot Locked Rot	Event Status
		14 (6)	Prot Underload	Event Status
15 (7)		Prot Phase Imb	Event Status	
1	2	0	Prot High I	Event Status
		1	Prot Phase Rev	Event Status
		2	Prot PTC	Event Status
		3	Dummy	
		4	Prot SCR OL	Event Status
		5	Warn OL	Event Status
		6	Warn SCR OL	Event Status
	3	7	Warn I=High	Event Status
		8 (0)	Warn I=Low	Event Status
		9 (1)	Fault (general signal)	Event Status, general for all faults
		10 (2)	Fault Phase Loss	Event Status
		11 (3)	Fault SC SCR	Event Status
		12 (4)	Fault Open SCR	Event Status
		13 (5)	Fault Wrong Freq	Event Status
		14 (6)	Fault Connection	Event Status
2	4	15 (7)	Fault Internal	Event Status
		0	Fault FB Timeout	Event Status
		1	Fault HS Temp	Event Status
		2	Fault Line side	Event Status
		3	Fault BP closed	Event Status
		4	Fault BP open	Event Status
		5	Dummy	
	5	6	Shunt Fault	Event Status
		7	Spare (Value = 0)	
		8 (0)	Spare (Value = 0)	
		9 (1)	Spare (Value = 0)	
		10 (2)	Spare (Value = 0)	
		11 (3)	Spare (Value = 0)	
		12 (4)	Spare (Value = 0)	
		13 (5)	Spare (Value = 0)	
	14 (6)	Spare (Value = 0)		
	15 (7)	Spare (Value = 0)		

Analogue input telegram

To PLC from Softstarter.

All analogue data will be represented as 16 bit values.

Word in input data area	Analogue input word	Data	Representation
3	0	Phase current L1 *)	Value =1000 ⇒ 1000A
4	1	Phase current L2 *)	Value =1000 ⇒ 1000A
5	2	Phase current L3 *)	Value =1000 ⇒ 1000A
6	3	Max phase current *)	Value =1000 ⇒ 1000A
7	4	Measured frequency	Value =100 ⇒ 100Hz
8	5	Output voltage	Value =100 ⇒ 100%
9	6	Calc. Motor temp.	Value =100 ⇒ 100%
10	7	Counted no of Starts	Value =100 ⇒ 10000 times
11	8	Run Time	Value =100 ⇒ 1000 hours

*) Phase current L1, L2 and L3 indicates the current through the softstarter while the Max phase current always is the line current.

Diagnostic inputs

There are 3 channels available for fieldbus related diagnostic messages. Each channel consists of two bytes with an error code and the parameter number that caused the error. The latest error is stored in channel 1, the second latest in channel 2 and the third latest in channel 3. The binary output bit “reset active diagnostics” is used to clear the diagnostic area.

Error Codes: 1 = Parameter Value out of range
 2 = Invalid parameter No
 3 = Write of parameter when fieldbus control isn't enabled

Word in input data area	Diagnostic input word	Error Code	Parameter No.
12	0	Diagn. Channel 1, Error Code	Diagn. Channel 1, Parameter No
13	1	Diagn. Channel 2, Error Code	Diagn. Channel 2, Parameter No
14	2	Diagn. Channel 3, Error Code	Diagn. Channel 3, Parameter No

Binary output telegram

From PLC to Softstarter.

Word in output data area	Binary output byte	Bit	Data	Description
0	0	0	Start (1 st par set if Seq.start)	Commence a start when signal is set. Start1 if sequence start.
		1	Stop	Commence a stop when signal is negated.
		2	Reset Events	Reset signal for possible events.
		3	Enable	Enable, this bit must be set for running the motor
		4	Jog	Perform Jog when signal is set.
		5	DOL start	Perform DOL start when signal is set.
		6	Start2 (2 nd par set Seq.start)	Start2 if sequence start.
		7	Start3 (3 rd par set Seq.start)	Start3 if sequence start.
	1	8 (0)	Time synchronisation	Time synchronisation signal that is used to synchronise the local real time clock with the time given as an analogue input telegram to the softstarter. If the signal is "1" and there is a difference between the times the local real time clock is synchronised.
		9 (1)	Reset active diagnostics	When set to "1" this will reset the fieldbus diagnostic area
		10 (2)	Spare	
		11 (3)	Spare	
		12 (4)	Spare	
		13 (5)	Spare	
		14 (6)	Spare	
		15 (7)	Spare	

Analogue output telegram

From PLC to Softstarter.

All analogue data will be represented as 16 bit values.

Word in output data area	Analogue output word	Data	Representation
1	0	Year	Value = 2003 ⇒ Year 2003
2	1	Month	Value = 12 ⇒ December
3	2	Day	Value = 31 ⇒ 31 st
4	3	Hour	Value = 23 ⇒ 23 h
5	4	Minutes	Value = 59 ⇒ 59 min
6	5	Seconds	Value = 59 ⇒ 59 sec

The output data is used to synchronize the softstarter real time clock with a possible system clock, it is used together with the binary output time synchronisation signal, if this signal is set to “1” and there is a difference between the clocks the local softstarter clock will be synchronised with the analogue outputs.

Input address map

	15	14	13	12	11	10	9	8	7	6	5	4	3	2	1	0
0	Binary In, Byte 1								Binary In, Byte 0							
1	Binary In, Byte 3								Binary In, Byte 2							
2	Binary In, Byte 5								Binary In, Byte 4							
3	Analogue In, Word 0															
4	Analogue In, Word 1															
5	Analogue In, Word 2															
6	Analogue In, Word 3															
7	Analogue In, Word 4															
8	Analogue In, Word 5															
9	Analogue In, Word 6															
10	Analogue In, Word 7															
11	Analogue In, Word 8															
12	Diagn. Channel 1, Error Code								Diagn. Channel 1, Parameter No							
13	Diagn. Channel 2, Error Code								Diagn. Channel 2, Parameter No							
14	Diagn. Channel 3, Error Code								Diagn. Channel 3, Parameter No							

Output address map

	15	14	13	12	11	10	9	8	7	6	5	4	3	2	1	0
0	Binary Out, Byte 1								Binary Out, Byte 0							
1	Analogue Out, Word 0															
2	Analogue Out, Word 1															
3	Analogue Out, Word 2															
4	Analogue Out, Word 3															
5	Analogue Out, Word 4															
6	Analogue Out, Word 5															

Parameters –

For this implementation all parameter values (both binary and analogue) are represented as 16 bits.
Parameters where it is said Type Read, can not be read from the PLC (Not possible with Modbus)

No	Type	Parameter	Description	Range	Unit	Default
1	Write	Setting Ie	Setting current	0 – 3000 (*)	Amp	Individual
2	Write	Start Ramp	Time for start ramp	1 – 120	Sec	10
3	Write	Stop Ramp	Time for stop ramp	0 – 120	Sec	0
4	Write	Init Volt	Initial voltage for start ramp	30 – 70	%	30
5	Write	End Volt	End voltage for stop ramp	30 – 70	%	30
6	Write	Step Down	Voltage value to which the softstarter shall step down at stop and where it shall commence the stop ramp.	30 – 100	%	100
7	Write	Current Lim	Level of the current limit.	20 – 70 = 2,0 – 7,0	xIe	40
8	Write	Kick Start	Selection of Kick start	0=No, 1=Yes		0
9	Write	Kick Level	Level of Kick start if selected	50 – 100	%	50
10	Write	Kick Time	Time for Kick start if selected	1 – 15 = 0,1 – 1,5	Sec	2
11	Write	Start Range	Selectable range for start ramp	0=1-30, 1=1-120	Sec	0
12	Write	Stop Range	Selectable range for stop ramp	0=1-30, 1=1-120	Sec	0
13	Write	Overload	Overload protection	0=No, 1=Normal, 2=Dual		1
14	Write	OL Class	Overload Class	0=10A, 1=10, 2= 20, 3= 30		1
15	Write	OL Class S	Overload Class, Dual type, Start Class	0=10A, 1=10, 2= 20, 3= 30		1
16	Write	OL Class R	Overload Class, Dual type, Run Class	0=10A, 1=10, 2= 20, 3= 30		1
17	Write	OL Op	Type of operation for overload protection	0=Stop-M, 1=Stop-A, 2= Ind		0
18	Write	Locked Rotor	Locked rotor protection	0=No, 1=Yes		0
19	Write	Lock R Lev	Trip level for locked rotor protection	5 – 80 = 0,5 – 8,0	xIe	40
20	Write	Lock R Time	Trip time for locked rotor protection	20 – 100 = 0,2 – 10,0	Sec	10
21	Write	Lock R Op	Type of operation for locked rotor protection	0=Stop-M, 1=Stop-A, 2= Ind		0
22	Write	Underload	Underload protection	0 = No, 1 = Yes		0
23	Write	Underl Lev	Trip level for Underload protection	4 - 8 = 0,4 – 0,8	xIe	5
24	Write	Underl Time	Trip time for Underload protection	1 – 30	Sec	10
25	Write	Underl Op	Type of operation for Underload protection	0=Stop-M, 1=Stop-A, 2= Ind		0
26	Write	Phase Imb	Phase imbalance protection	0 = No, 1 = Yes		0
27	Write	Ph Imb Lev	Trip level for phase imbalance protection	10 – 80	%	80
28	Write	Ph Imb Op	Type of operation for phase imbalance protection	0=Stop-M, 1=Stop-A, 2= Ind		0
29	Write	High I	High current protection	0 = No, 1 = Yes		0
30	Write	High I Op	Type of operation for high current protection	0=Stop-M, 1=Stop-A, 2= Ind		0
31	Write	Phase Rev	Phase reversal protection	0 = No, 1 = Yes		0
32	Write	Ph Rev Op	Type of operation for phase reversal protection	0=Stop-M, 1=Stop-A, 2= Ind		0
33	Write	PTC	PTC protection	0 = No, 1 = Yes		0
34	Write	PTC Op	Type of operation for PTC protection	0=Stop-M, 1=Stop-A, 2= Ind		0
35	Write	Ext ByPass	External By-pass contactor is used	0=No, 1=Yes		0
36	Read	Dummy 36	Spare parameter	0		0
37	Write	Warn I=High	High current warning	0=No, 1=Yes		0
38	Write	Wa I=H Lev	Trip level for high current warning	5 – 50 = 0,5 – 5,0	xIe	12
39	Write	Warn I=Low	Low current warning	0=No, 1=Yes		0
40	Write	Wa I=L Lev	Trip level for low current warning	4 – 10 = 0,4 – 1,0	xIe	8

No	Type	Parameter	Description	Range	Unit	Default
41	Write	Warn OL	Overload warning	0=No, 1=Yes		0
42	Write	Wa OL Lev	Trip level for overload warning	40 – 99	%	90
43	Write	Warn SCR OL	Thyristor overload warning	0=No, 1=Yes		0
44	Write	Ph Loss Op	Type of operation for phase loss fault	0=Stop-M, 1=Stop-A		0
45	Write	FB Fault Op	Type of operation for fieldbus fault	0=Stop-M, 1=Stop-A		0
46	Write	Freq F Op.	Type of operation for frequency fault	0=Stop-M, 1=Stop-A		0
47	Write	HS Temp Op	Type of operation for heat sink over temperature fault	0=Stop-M, 1=Stop-A		0
48	Write	SCR SC Op	Type of operation for thyristor short circuit fault	0=Stop-M, 1=Stop-A		0
49	Read	In0	Function of programmable input In0	0=None, 1=Reset, 2=Enable, 3=Jog, 4=DOL-on, 5=Start2, 6=FB-Dis		1
50	Read	In1	Function of programmable input In1	0=None, 1=Reset, 2=Enable, 3=Jog, 4=DOL-on, 5=Start2, 6=FB-Dis		1
51	Write	Relay K4	Function of programmable relay output K4	0=Run, 1=TOR, 2=Event		0
52	Write	Relay K5	Function of programmable relay output K5	0=Run, 1=TOR, 2=Event		1
53	Write	Relay K6	Function of programmable relay output K6	0=Run, 1=TOR, 2=Event		2
54	Write	SW Outp V7	Function of programmable software output V7	0=Run, 1=TOR, 2=Event		2
55	Write	Event K4	Different events to include for signalling with K4 if "Event" is selected	0 – 65535, Bit mask see separate description.		0
56	Write	Event K5	Different events to include for signalling with K5 if "Event" is selected	0 – 65535, Bit mask see separate description.		0
57	Write	Event K6	Different events to include for signalling with K6 if "Event" is selected	0 – 65535, Bit mask see separate description.		7
58	Write	Event V7	Different events to include for signalling with V7 if "Event" is selected	0 – 65535, Bit mask see separate description.		7
59	Read	Fieldb Ctrl	Control of the softstarter with fieldbus	0=No, 1=Yes		0
60	Read	Fieldb Type	Type of fieldbus	0=AS-Int, 1=Other		1
61	Read	Fieldb Addr	Fieldbus address	0 – 1000		0
62	Write	No of Seq	Number of sequences for sequence start.	1=No, 2=2, 3=3		1
63	Write	Start Ramp1	1 st sequence, time for start ramp	1 – 120	Sec	10
64	Write	Init Volt1	1 st sequence, initial voltage for start ramp	30 – 70	%	30
65	Write	Curr Lim1	1 st sequence, current limit	20 – 70 = 2,0 – 7,0	xIe	4
66	Write	1st Set Ie	1 st sequence, motor rated current	0 – 3000 (*)	Amp	Individual
67	Write	Start Ramp2	2 nd sequence, time for start ramp	1 – 120	Sec	10
68	Write	Init Volt2	2 nd sequence, initial voltage for start ramp	30 – 70	%	30
69	Write	Curr Lim2	2 nd sequence, current limit	20 – 70 = 2,0 – 7,0	xIe	40
70	Write	2nd Set Ie	2 nd sequence, motor rated current	0 – 3000 (*)	Amp	Individual
71	Write	Start Ramp3	3 rd sequence, time for start ramp	1 – 120	Sec	10
72	Write	Init Volt3	3 rd sequence, initial voltage for start ramp	30 – 70	%	30
73	Write	Curr Lim3	3 rd sequence, current limit	20 – 70 = 2,0 – 7,0	xIe	40
74	Write	3rd Set Ie	3 rd sequence, motor rated current	0 – 3000 (*)	Amp	Individual
75	Read	Language	Language to use on display	1=US/UK, 2=FI, 3=SE, 4=PT, 5=NL, 6=IT, 7=FR, 8=ES, 9=DE, 10=CN, 11=RU, 12=TR		Individual
76	Read	Dummy 76	Spare parameter	0		0
77	Read	LCD Auto Off	Time for display automatic turn off	1 – 255	Minutes	15
78	Read	Password	Password for display	0=No, 1 – 255=1- 255		1
79	Read	Date Type	Type of date presentation	0=ISO, 1=CE, 2=US		0
80	Read	Date Year	Year	2001 – 2060		Individual
81	Read	Date Month	Month	1 – 12		Individual
82	Read	Date Day	Day	1 – 31		Individual
83	Read	Time Hour	Hour	0 – 23		Individual

No	Type	Parameter	Description	Range	Unit	Default
84	Read	Time Min	Minutes	0 – 59		Individual
85	Read	S Port Ctrl	Serial port control	0=No, 1=Yes		0
86	Read	S Port Addr1	Address of service port 1 st group	0 – 255		192
87	Read	S Port Addr2	Address of service port 2 nd group	0 – 255		168
88	Read	S Port Addr3	Address of service port 3 rd group	0 – 255		0
89	Read	S Port Addr4	Address of service port 4 th group	0 – 255		2
90	Read	CT Ratio Ir	Ratio of current transformers	0 – 2500		Individual
91	Read	Int ByPass	Built in by-pass contactor	0=No, 1=Yes		0 for all PST 1 for all PSTB
92	Read	ByPass AC3	AC3 value of built in by-pass contactor	0 – 2500	Amp	Individual
93	Read	SOP1	Thyristor Parameter 1	7 – 12 = 0,7 – 1,2		Individual
94	Read	SOP2	Thyristor Parameter 2	5 – 2000 = 0,05 – 20,00		Individual
95	Read	SOP3	Thyristor Parameter 3	11 – 1200 = 0,011 – 1,200		Individual
96	Read	SOP4	Thyristor Parameter 4	10 – 200 = 1,0 – 20,0		Individual
97	Write	BP Closed Op	Type of operation for by-pass doesn't open	0=Stop-M, 1=Stop-A		0
98	Write	BP Open Op	Type of operation for by-pass doesn't close	0=Stop-M, 1=Stop-A		0
99	Read	Dummy 99	Spare parameter	0		0
100	Read	FCODE1	Factory code 1	0-10		0
101	Read	FCODE2	Factory code 2	0-10		0
102	Read	FCODE3	Factory code 3	0-10		0
103	Read	FCODE4	Factory code 4	0-10		0
104	Read	FCODE5	Factory code 5	0-100		0
105	Read	FCODE6	Factory code 6	0-100		0
106	Read	PST(B)	PST(B) size	1-2500	Amp	Individual
107	Read	FCODE7	Factory code 7	0=No, 1=Yes		1
108	Read	FCODE8	Factory code 8	0=No, 1=Yes		1
109	Read	FCODE9	Factory code 9	0=No, 1=Yes		1
110	Read	FCODE10	Factory code 10	0-25		14

*) For the purpose of having one common data for the whole range of softstarters “Setting Ie”, “1st Set Ie”, “2nd Set Ie” and “3rd Set Ie” have the range 0 – 3000 Amp. The softstarter in itself will have a much more narrow range defined by its rated current and only values within the softstarters range will be accepted, other values will be skipped. The valid range per type is shown in the softstarter catalogue or on the softstarter front label (marking plate).

16 Bit Mask for Events on Relay outputs	
Bit 0	Overload
Bit 1	Fault
Bit 2	High I
Bit 3	SCR OL
Bit 4	Locked Rotor
Bit 5	Underload
Bit 6	Phase Imb
Bit 7	PTC
Bit 8	Phase Rev
Bit 9	Warn OL
Bit 10	Warn SCR OL
Bit 11	Warn I=High
Bit 12	Warn I=Low
Bit 13	Shunt Fault
Bit 14	Spare
Bit 15	Spare

Example for a set up.

Softstarter PST Modbus RTU communication.

This document describes an application example between a Modbus RTU master (PLC CPU, PC, etc.) and the ABB softstarter PST equipped with a modbus fieldbus plug. Please always use the actual softstarter and FBP manuals.

In this particular example following documents has been used:

Modbus RTU FBP FielBusPlug MRP21. FBP technical description 2CDC194001D0201.

Softstarters PST installation and commissioning manual 1 SFC132003M0201, Jan 2005

Softstarter software version: **SW Ver CU 03.04.01** and **SW Ver CU 03.05.00**

For other versions of software RED marked figures in this example will change

Softstarter settings

1. Set the softstarter address and field bus communication.

Change the default address 248 of the softstarter with the keypad to 47 (Fieldb Addr) and enable the fieldbus communication (Fieldb Ctrl=Yes).

2. Set the communication parameters.

The communication parameters are: 1 Start bit, 8 Data bits, the Parity will be adapted to the master. The baud rate is mapped to the slave address, e.g. : the baud rate to the slave 47 is 19200. Therefore the master and the slave will have the communication parameters:
1 start bit, 1 stop bit, 8 data bit, even parity, 19200 baud

Data exchange with the Modbus RTU master

Step1

Without receiving the configuration data the softstarter is not responding to the request telegrams of the Master (LED H2 on the FBP is blinking).

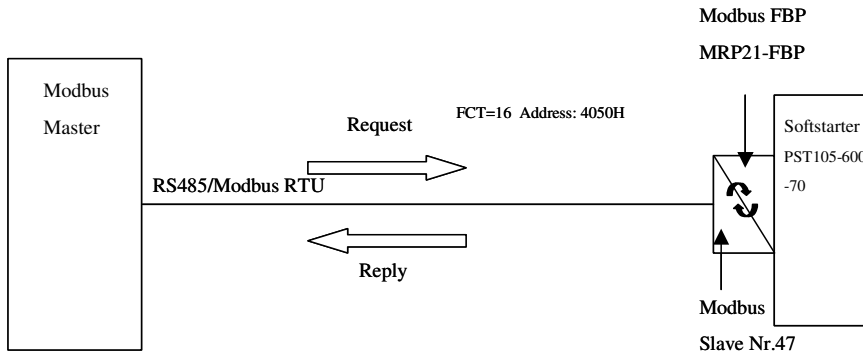
Send configuration data to the softstarter (Number of I/O , number of parameters, etc.).

After the configuration the softstarter will be a regular Modbus slave (LED H2 is off) and will respond to the polling telegrams of the master.

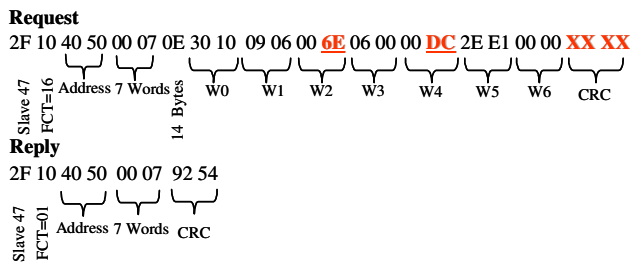
Step 2

Now the master can send different Modbus telegrams in order to exchange data with the Softstarter.

Write configuration data

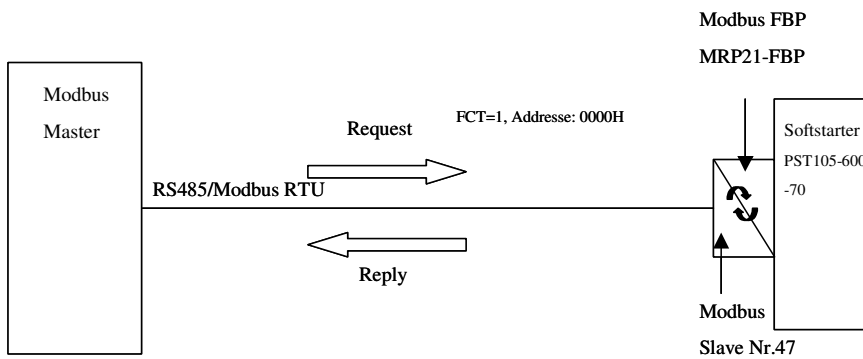


FCT, Address and Number Words are fixed !

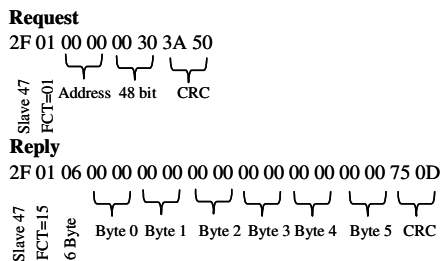


- W0 HB : number of binary inputs (30H = 48D)
- W0 LB : number of binary outputs (10H =16D)
- W1 HB : number of analog inputs (09H = 09D)
- W1 LB : number of analog outputs (06H =06D)
- W2 : number of parameters (6EH = 110D)
- W3 HB : number of diagnosis-bytes (06H = 06D)
- W3 LB : not used
- W4 : number of parameter bytes (DCH=220D)
- W5 : product Code (2EE1H=12001D)
- W6 : bus timeout (00)

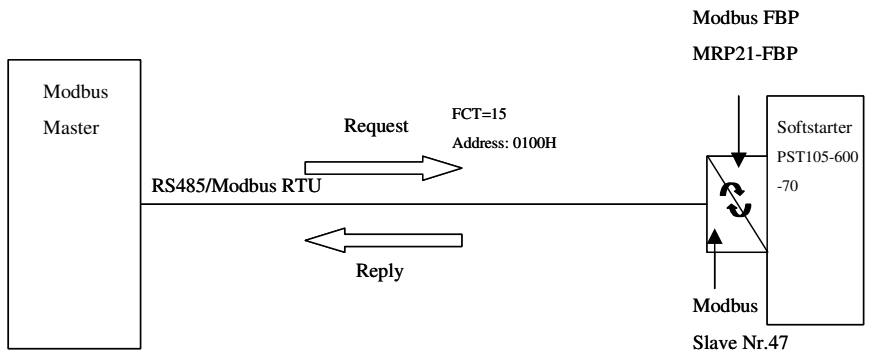
Read binary input telegram



e.g.: read 48 bit starting at the address 0000



Write binary output telegram



e.g.: write 16 bit starting at the address 0100

Request

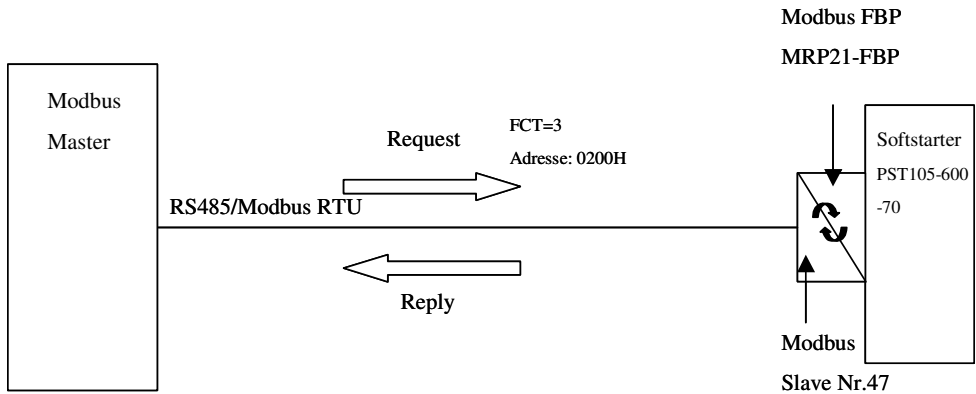
2F 0F 01 00 00 10 02 00 00 27 41
 Slave 47 FCT=15 Address 16 bit 2 Byte Output CRC

Reply

2F 0F 01 00 00 10 53 B5
 Slave 47 FCT=15 Address 16 bit CRC

- B0** : Start 1
- B1** : Stop
- B2** : Reset Event
- B3** : Enable
- B4** : Jog
- B5** : DOL Start
- B6** : Start 2
- B7** : Start 3
- B8** : Time-synchronise
- B9** : Reset Diagnosis
- B10-B15** : Reserve

Read analogue input telegram



e.g.: read 9 words starting at the address 0200H

Request

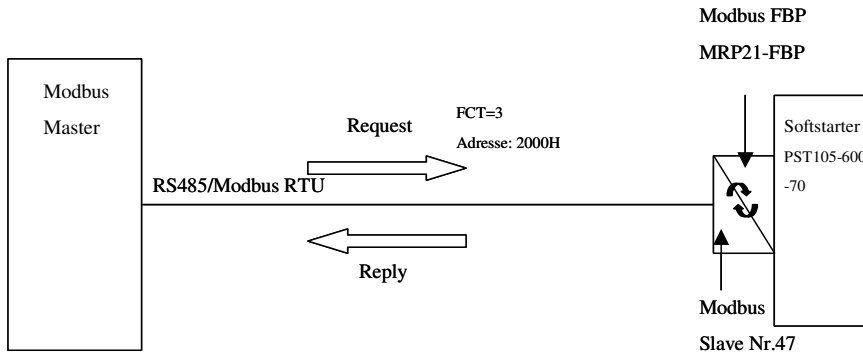
Slave 47 FCT=03 Adresse 9 Words CRC

Reply

Slave 47 FCT=03 18 Byte

W0	W1	W2	W3	W4	W5	W6	W7	W8	CRC
L1 current	L2 current	L3 current	max current	Frequency	Output vplage	Mot. Temp.	Number of starts.	Run time	

Read diagnostic inputs

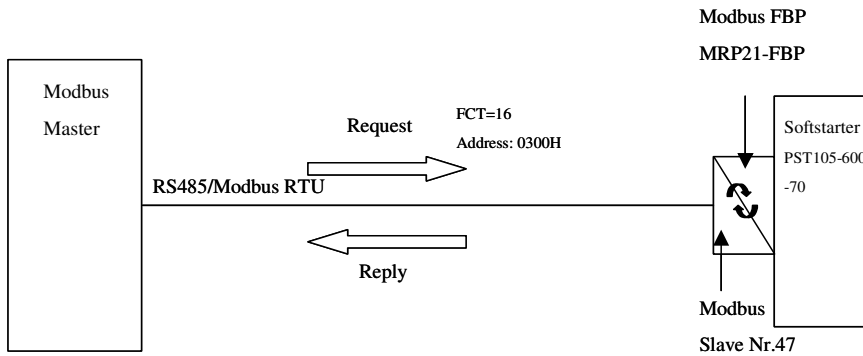


e.g.: read 3 diagnostic words starting at the address 2000H

```

Request
2F 03 20 00 00 03 08 45
  |  |  |  |  |  |  |
  |  |  |  |  |  |  |
Slave 47  FCT=03  Address 3 Words CRC
  |
Reply
2F 03 06 00 00 00 00 00 F4 D4
  |  |  |  |  |  |  |  |
Slave 47  FCT=03  6 Byte  W0  W1  W2  CRC
  |
  
```

Write analogue output telegram



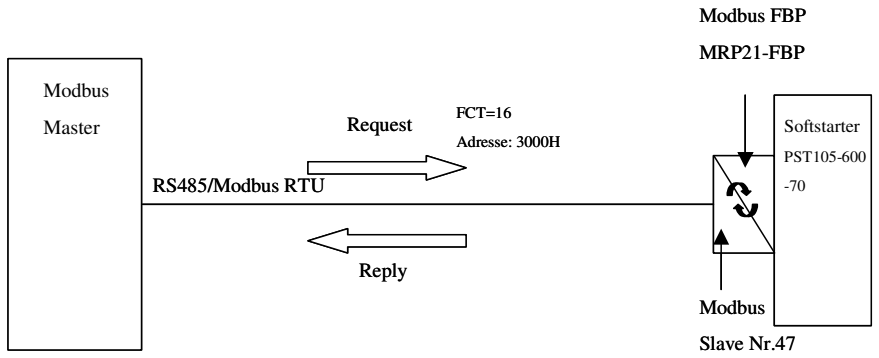
e.g.: write 6 words starting at the address 0300H

```

Request
2F 10 03 00 00 06 0C 00 00 00 00 00 00 00 00 00 00 00 00 00 1B 09
  |  |  |  |  |  |  |  |  |  |  |  |  |  |  |  |  |  |  |  |  |  |
Slave 47  FCT=16  address 6 words 12 Bytes  W0  W1  W2  W3  W4  W5  CRC
  |
Reply
2F 10 03 00 00 06 46 01
  |  |  |  |  |  |  |
Slave 47  FCT=16  address 6 words  CRC
  |
  
```

- W0** : year
- W1** : month
- W2** : day
- W3** : hour
- W4** : minute
- W5** : sec

Write parameter data



e.g. write **110 words** starting at the address 3000H.



ABB CPU as Modbus RTU master

By using the ABB 07 KT 97 CPU or the new AC500 CPU s there are some special function blocs **MODBUS_RTU** available in order to make the data communication easy to project.

On the inputs of the FB you can specify the jobs has to be executed, the areas for sending and receiving data and the slave numbers of the Softstarters in the application.

The data exchange and handling will be executed by the FB.

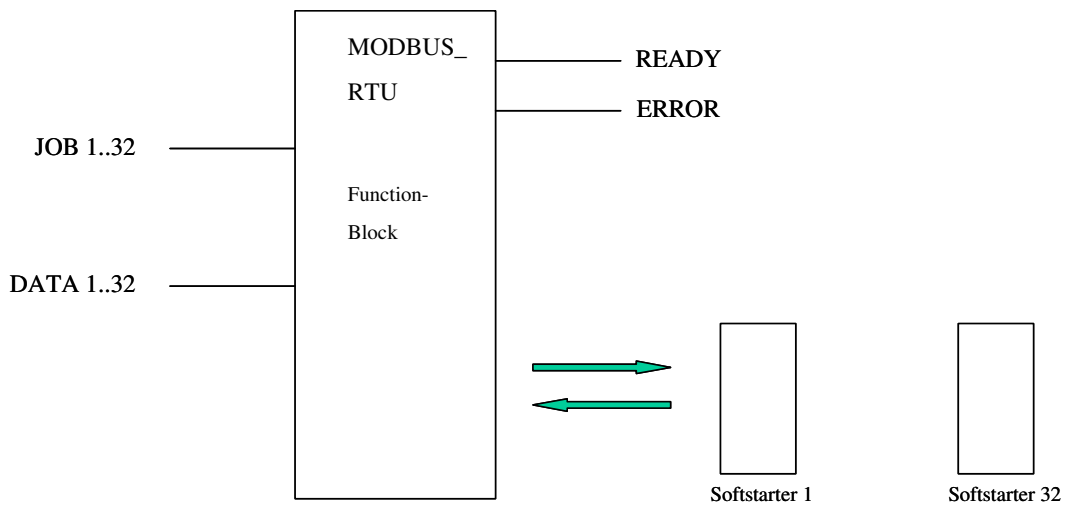




ABB Automation Technologies AB, Cewe-Control

S-721 61 Västerås, SWEDEN

Telephone +46 21 32 07 00

TELEFAX +46 21 12 60 01