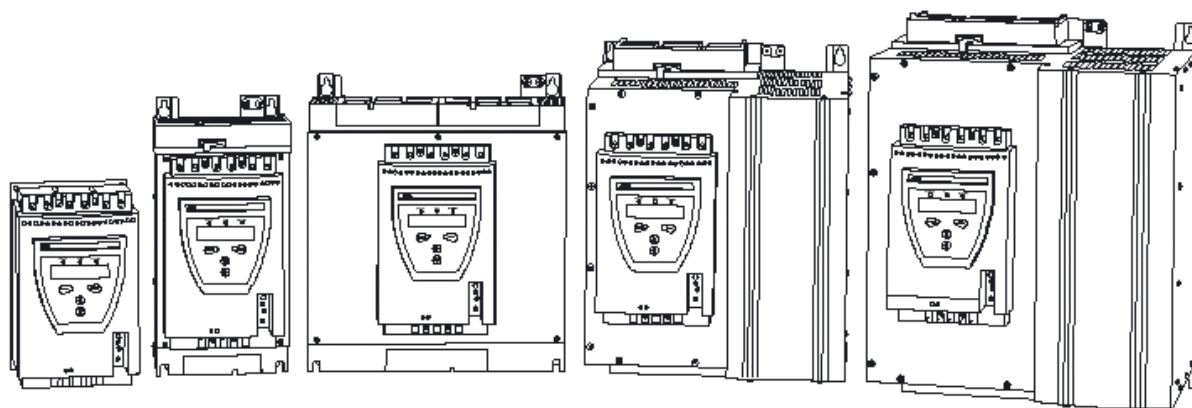


Softstarters

Type PST/PSTB
Fieldbus communication
Profibus DP V0 / V1

1SFC132013M0201
January 2005



ABB

Profibus DP V0 / V1

The Profibus DP V0 / V1 protocols are fieldbus protocols that provides full control and status information of the softstarter as well as writing of parameters (read and write for V1). Through the fieldbus it is possible to start and stop the motor, perform jog, sequence start, read out currents and frequency, achieve information about protections, warnings, faults and much more.

See chapter “Setting and configuration” in the installation manual for programming of the inputs / outputs.

Before the Profibus DP fieldbus can be taken in operation following parameters must be set in the softstarter:

- Parameter *Fieldbus Ctrl* set to Yes
- Parameter *Fieldbus Type* set to other
- Parameter *Fieldbus Addr* set to a free communication address.

For technical data and descriptions of the Profibus DP fieldbus plug, see document 2CDC192001D0205, available at www.abb.com/lowvoltage .

To do the programming of the PLC, following GSD files are available:

GSD file	Type of protocol
ABB_078F.gsd	Profibus DP V0
ABB_082d.gsd	Profibus DP V1

Note that the GSD file contains information about different software versions of the softstarter. Check that correct part of the file is used in relation to the actual softstarter version.



Caution!

The motor may start unexpectedly if there is a start signal present when doing any of the actions listed below.

- *Switching from one type of control to another (fieldbus control / hardwire control)*
- *Re-programming of the programmable inputs*
- *Reset all Settings (programmable input set to Enable)*

Binary input telegram
To PLC from Softstarter.

Word in input data area	Binary input byte	Bit	Data	Description		
0	0	0	K4 relay output	Status of K4		
		1	K5 relay output	Status of K5		
		2	K6 relay output	Status of K6		
		3	V7 Programmable software output	Status of V7		
		4	Start Input	Status of Start Input		
		5	Stop Input	Status of Stop Input		
		6	In0 Input	Status of In0		
	7	In1 Input	Status of In1			
	1	8 (0)	Run	Run Status		
		9 (1)	Top Of Ramp	Top Of Ramp Status		
		10 (2)	Line or Inside Delta connection	0 = Line, 1 = Delta		
		11 (3)	Phase sequence	0 = L1,L2,L3 1=L1,L3,L2		
		12 (4)	Prot Motor OL	Event Status		
		13 (5)	Prot Locked Rot	Event Status		
		14 (6)	Prot Underload	Event Status		
15 (7)		Prot Phase Imb	Event Status			
1	2	0	Prot High I	Event Status		
		1	Prot Phase Rev	Event Status		
		2	Prot PTC	Event Status		
		3	Dummy			
		4	Prot SCR OL	Event Status		
		5	Warn OL	Event Status		
		6	Warn SCR OL	Event Status		
	3	7	Warn I=High	Event Status		
		8 (0)	Warn I=Low	Event Status		
		9 (1)	Fault (general signal)	Event Status, general for all faults		
		10 (2)	Fault Phase Loss	Event Status		
		11 (3)	Fault SC SCR	Event Status		
		12 (4)	Fault Open SCR	Event Status		
		13 (5)	Fault Wrong Freq	Event Status		
		14 (6)	Fault Connection	Event Status		
		15 (7)	Fault Internal	Event Status		
		2	4	0	Fault FB Timeout	Event Status
				1	Fault HS Temp	Event Status
				2	Fault Line side	Event Status
				3	Fault BP closed	Event Status
				4	Fault BP open	Event Status
5	Dummy					
6	Shunt Fault			Event Status		
5	7		Spare (Value = 0)			
	8 (0)		Spare (Value = 0)			
	9 (1)		Spare (Value = 0)			
	10 (2)		Spare (Value = 0)			
	11 (3)		Spare (Value = 0)			
	12 (4)		Spare (Value = 0)			
	13 (5)		Spare (Value = 0)			
	14 (6)		Spare (Value = 0)			
		15 (7)	Spare (Value = 0)			

Analogue input telegram

To PLC from Softstarter.

All analogue data will be represented as 16 bit values.

Word in input data area	Analogue input word	Data	Representation
3	0	Phase current L1 *)	Value =1000 ⇒ 1000A
4	1	Phase current L2 *)	Value =1000 ⇒ 1000A
5	2	Phase current L3 *)	Value =1000 ⇒ 1000A
6	3	Max phase current *)	Value =1000 ⇒ 1000A
7	4	Measured frequency	Value =100 ⇒ 100Hz
8	5	Output voltage	Value =100 ⇒ 100%
9	6	Calc. Motor temp.	Value =100 ⇒ 100%
10	7	Counted no of Starts	Value =100 ⇒ 10000 times
11	8	Run Time	Value =100 ⇒ 1000 hours

*) Phase current L1, L2 and L3 indicates the current through the softstarter while the Max phase current always is the line current.

Diagnostic inputs

There are 3 channels available for fieldbus related diagnostic messages. Each channel consists of two bytes with an error code and the parameter number that caused the error. The latest error is stored in channel 1, the second latest in channel 2 and the third latest in channel 3. The binary output bit “reset active diagnostics” is used to clear the diagnostic area.

Error Codes: 1 = Parameter Value out of range
 2 = Invalid parameter No
 3 = Write of parameter when fieldbus control isn't enabled

Word in input data area	Diagnostic input word	Error Code	Parameter No.
12	0	Diagn. Channel 1, Error Code	Diagn. Channel 1, Parameter No
13	1	Diagn. Channel 2, Error Code	Diagn. Channel 2, Parameter No
14	2	Diagn. Channel 3, Error Code	Diagn. Channel 3, Parameter No

Binary output telegram

From PLC to Softstarter.

Word in output data area	Binary output byte	Bit	Data	Description
0	0	0	Start (1 st par set if Seq.start)	Commence a start when signal is set. Start1 if sequence start.
		1	Stop	Commence a stop when signal is negated.
		2	Reset Events	Reset signal for possible events.
		3	Enable	Enable, this bit must be set for running the motor
		4	Jog	Perform Jog when signal is set.
		5	DOL start	Perform DOL start when signal is set.
		6	Start2 (2 nd par set Seq.start)	Start2 if sequence start.
		7	Start3 (3 rd par set Seq.start)	Start3 if sequence start.
	1	8 (0)	Time synchronisation	Time synchronisation signal that is used to synchronise the local real time clock with the time given as an analogue input telegram to the softstarter. If the signal is "1" and there is a difference between the times the local real time clock is synchronised.
		9 (1)	Reset active diagnostics	When set to "1" this will reset the fieldbus diagnostic area
		10 (2)	Spare	
		11 (3)	Spare	
		12 (4)	Spare	
		13 (5)	Spare	
		14 (6)	Spare	
		15 (7)	Spare	

Analogue output telegram

From PLC to Softstarter.

All analogue data will be represented as 16 bit values.

Word in output data area	Analogue output word	Data	Representation
1	0	Year	Value = 2003 ⇒ Year 2003
2	1	Month	Value = 12 ⇒ December
3	2	Day	Value = 31 ⇒ 31 st
4	3	Hour	Value = 23 ⇒ 23 h
5	4	Minutes	Value = 59 ⇒ 59 min
6	5	Seconds	Value = 59 ⇒ 59 sec

The output data is used to synchronize the softstarter real time clock with a possible system clock, it is used together with the binary output time synchronisation signal, if this signal is set to “1” and there is a difference between the clocks the local softstarter clock will be synchronised with the analogue outputs.

Input address map

	15	14	13	12	11	10	9	8	7	6	5	4	3	2	1	0
0	Binary In, Byte 1								Binary In, Byte 0							
1	Binary In, Byte 3								Binary In, Byte 2							
2	Binary In, Byte 5								Binary In, Byte 4							
3	Analogue In, Word 0															
4	Analogue In, Word 1															
5	Analogue In, Word 2															
6	Analogue In, Word 3															
7	Analogue In, Word 4															
8	Analogue In, Word 5															
9	Analogue In, Word 6															
10	Analogue In, Word 7															
11	Analogue In, Word 8															
12	Diagn. Channel 1, Error Code								Diagn. Channel 1, Parameter No							
13	Diagn. Channel 2, Error Code								Diagn. Channel 2, Parameter No							
14	Diagn. Channel 3, Error Code								Diagn. Channel 3, Parameter No							

Output address map

	15	14	13	12	11	10	9	8	7	6	5	4	3	2	1	0
0	Binary Out, Byte 1								Binary Out, Byte 0							
1	Analogue Out, Word 0															
2	Analogue Out, Word 1															
3	Analogue Out, Word 2															
4	Analogue Out, Word 3															
5	Analogue Out, Word 4															
6	Analogue Out, Word 5															

Parameters – Profibus DP V0 (Profibus DP V1, see page 10)

For this implementation all parameter values (both binary and analogue) are represented as 32 bits.

No	Type	Parameter	Description	Range	Unit
1	Write	Setting Ie	Setting current	0 – 3000 (*)	Amp
2	Write	Start Ramp	Time for start ramp	1 – 120	Sec
3	Write	Stop Ramp	Time for stop ramp	0 – 120	Sec
4	Write	Init Volt	Initial voltage for start ramp	30 – 70	%
5	Write	End Volt	End voltage for stop ramp	30 – 70	%
6	Write	Step Down	Voltage value to which the softstarter shall step down at stop and where it shall commence the stop ramp.	30 – 100	%
7	Write	Current Lim	Level of the current limit.	2,0 – 7,0	xIe
8	Write	Kick Start	Selection of Kick start	No, Yes	
9	Write	Kick Level	Level of Kick start if selected	50 – 100	%
10	Write	Kick Time	Time for Kick start if selected	0,1 – 1,5	Sec
11	Write	Start Range	Selectable range for start ramp	1-30, 1-120	Sec
12	Write	Stop Range	Selectable range for stop ramp	0-30, 0-120	Sec
13	Write	Overload	Overload protection	No, Normal, Dual	
14	Write	OL Class	Overload Class	10A, 10, 20, 30	
15	Write	OL Class S	Overload Class, Dual type, Start Class	10A, 10, 20, 30	
16	Write	OL Class R	Overload Class, Dual type, Run Class	10A, 10, 20, 30	
17	Write	OL Op	Type of operation for overload protection	Stop-M, Stop-A, Ind	
18	Write	Locked Rotor	Locked rotor protection	No, Yes	
19	Write	Lock R Lev	Trip level for locked rotor protection	0,5 – 8,0	xIe
20	Write	Lock R Time	Trip time for locked rotor protection	0,2 – 10,0	Sec
21	Write	Lock R Op	Type of operation for locked rotor protection	Stop-M, Stop-A, Ind	
22	Write	Underload	Underload protection	No, Yes	
23	Write	Underl Lev	Trip level for Underload protection	0,4 – 0,8	xIe
24	Write	Underl Time	Trip time for Underload protection	1 – 30	Sec
25	Write	Underl Op	Type of operation for Underload protection	Stop-M, Stop-A, Ind	
26	Write	Phase Imb	Phase imbalance protection	No, Yes	
27	Write	Ph Imb Lev	Trip level for phase imbalance protection	10 – 80	%
28	Write	Ph Imb Op	Type of operation for phase imbalance protection	Stop-M, Stop-A, Ind	
29	Write	High I	High current protection	No, Yes	
30	Write	High I Op	Type of operation for high current protection	Stop-M, Stop-A, Ind	
31	Write	Phase Rev	Phase reversal protection	No, Yes	
32	Write	Ph Rev Op	Type of operation for phase reversal protection	Stop-M, Stop-A, Ind	
33	Write	PTC	PTC protection	No, Yes	
34	Write	PTC Op	Type of operation for PTC protection	Stop-M, Stop-A, Ind	
35	Write	Ext ByPass	External By-pass contactor is used	No, Yes	
36	Read	Dummy 36	Spare parameter	0	
37	Write	Warn I=High	High current warning	No, Yes	
38	Write	Wa I=H Lev	Trip level for high current warning	0,5 – 5,0	xIe
39	Write	Warn I=Low	Low current warning	No, Yes	
40	Write	Wa I=L Lev	Trip level for low current warning	0,4 – 1,0	xIe
41	Write	Warn OL	Overload warning	No, Yes	
42	Write	Wa OL Lev	Trip level for overload warning	40 – 99	%
43	Write	Warn SCR OL	Thyristor overload warning	No, Yes	
44	Write	Ph Loss Op	Type of operation for phase loss fault	Stop-M, Stop-A	
45	Write	FB Fault Op	Type of operation for fieldbus fault	Stop-M, Stop-A	

No	Type	Parameter	Description	Range	Unit
46	Write	Freq F Op.	Type of operation for frequency fault	Stop-M, Stop-A	
47	Write	HS Temp Op	Type of operation for heat sink over temperature fault	Stop-M, Stop-A	
48	Write	SCR SC Op	Type of operation for thyristor short circuit fault	Stop-M, Stop-A	
49	Read	In0	Function of programmable input In0	None, Reset, Enable, Jog, DOL-on, Start2, FB-Dis	
50	Read	In1	Function of programmable input In1	None, Reset, Enable, Jog, DOL-on, Start3, FB-Dis	
51	Write	Relay K4	Function of programmable relay output K4	Run, TOR, Event	
52	Write	Relay K5	Function of programmable relay output K5	Run, TOR, Event	
53	Write	Relay K6	Function of programmable relay output K6	Run, TOR, Event	
54	Write	SW Outp V7	Function of programmable software output V7	Run, TOR, Event	
55	Write	Event K4	Different events to include for signalling with K4 if "Event" is selected	0 – 65535, Bit mask see separate description.	
56	Write	Event K5	Different events to include for signalling with K5 if "Event" is selected	0 – 65535, Bit mask see separate description.	
57	Write	Event K6	Different events to include for signalling with K6 if "Event" is selected	0 – 65535, Bit mask see separate description.	
58	Write	Event V7	Different events to include for signalling with V7 if "Event" is selected	0 – 65535, Bit mask see separate description.	
59	Read	Fieldb Ctrl	Control of the softstarter with fieldbus	No, Yes	
60	Read	Fieldb Type	Type of fieldbus	AS-Int, Other	
61	Read	Fieldb Addr	Fieldbus address	0 – 1000	
62	Write	No of Seq	Number of sequences for sequence start.	No, 2, 3	
63	Write	Start Ramp1	1 st sequence, time for start ramp	1 – 120	Sec
64	Write	Init Volt1	1 st sequence, initial voltage for start ramp	30 – 70	%
65	Write	Curr Lim1	1 st sequence, current limit	2,0 – 7,0	xIe
66	Write	1st Set Ie	1 st sequence, motor rated current	0 – 3000 (*)	Amp
67	Write	Start Ramp2	2 nd sequence, time for start ramp	1 – 120	Sec
68	Write	Init Volt2	2 nd sequence, initial voltage for start ramp	30 – 70	%
69	Write	Curr Lim2	2 nd sequence, current limit	2,0 – 7,0	xIe
70	Write	2nd Set Ie	2 nd sequence, motor rated current	0 – 3000 (*)	Amp
71	Write	Start Ramp3	3 rd sequence, time for start ramp	1 – 120	Sec
72	Write	Init Volt3	3 rd sequence, initial voltage for start ramp	30 – 70	%
73	Write	Curr Lim3	3 rd sequence, current limit	2,0 – 7,0	xIe
74	Write	3rd Set Ie	3 rd sequence, motor rated current	0 – 3000 (*)	Amp
75	Read	Language	Language to use on display	US/UK, FI, SE, PT, NL, IT, FR, ES, DE, CN, RU, TR	
76	Read	Dummy 76	Spare parameter	0	
77	Read	LCD Auto Off	Time for display automatic turn off	1 – 255	Sec
78	Read	Password	Password for display	0 – 255	
79	Read	Date Type	Type of date presentation	ISO , CE , US	
80	Read	Date Year	Year	2001 – 2060	
81	Read	Date Month	Month	1 – 12	
82	Read	Date Day	Day	1 – 31	
83	Read	Time Hour	Hour	0 – 23	
84	Read	Time Min	Minutes	0 – 59	
85	Read	S Port Ctrl	Serial port control	No, Yes	
86	Read	S Port Addr1	Address of service port 1 st group	0 – 255	
87	Read	S Port Addr2	Address of service port 2 nd group	0 – 255	
88	Read	S Port Addr3	Address of service port 3 rd group	0 – 255	
89	Read	S Port Addr4	Address of service port 4 th group	0 – 255	
90	Read	CT Ratio Ir	Ratio of current transformers	0 – 2500	
91	Read	Int ByPass	Built in by-pass contactor	No, Yes	
92	Read	ByPass AC3	AC3 value of built in by-pass contactor	0 – 2500	Amp

No	Type	Parameter	Description	Range	Unit
93	Read	SOP1	Thyristor Parameter 1	0,7 – 1,2	
94	Read	SOP2	Thyristor Parameter 2	0,05 – 20,00	
95	Read	SOP3	Thyristor Parameter 3	0,011 – 1,200	
96	Read	SOP4	Thyristor Parameter 4	1,0 – 20,0	
97	Write	BP Closed Op	Type of operation for by-pass doesn't open	Stop-M, Stop-A	
98	Write	BP Open Op	Type of operation for by-pass doesn't close	Stop-M, Stop-A	
99	Read	Dummy 99	Spare parameter	0	
100	Read	FCODE1	Factory code 1	0-10	
101	Read	FCODE2	Factory code 2	0-10	
102	Read	FCODE3	Factory code 3	0-10	
103	Read	FCODE4	Factory code 4	0-10	
104	Read	FCODE5	Factory code 5	0-100	
105	Read	FCODE6	Factory code 6	0-100	
106	Read	PST(B)	PST(B) size	1-2500	Amp
107	Read	FCODE7	Factory code 7	Yes, No	
108	Read	FCODE8	Factory code 8	Yes, No	
109	Read	FCODE9	Factory code 9	Yes, No	
110	Read	FCODE10	Factory code 10	0-25	

*) For the purpose of having one common GSD-file for the whole range of softstarters “Setting Ie”, “1st Set Ie”, “2nd Set Ie” and “3rd Set Ie” have the range 0 – 3000 Amp. The softstarter in itself will have a much more narrow range defined by its rated current and only values within the softstarters range will be accepted, other values will be skipped.

16 Bit Mask for Events on Relay outputs	
Bit 0	Overload
Bit 1	Fault
Bit 2	High I
Bit 3	SCR OL
Bit 4	Locked Rotor
Bit 5	Underload
Bit 6	Phase Imb
Bit 7	PTC
Bit 8	Phase Rev
Bit 9	Warn OL
Bit 10	Warn SCR OL
Bit 11	Warn I=High
Bit 12	Warn I=Low
Bit 13	Shunt Fault
Bit 14	Spare
Bit 15	Spare

Parameters – Profibus DP V1

For this implementation all parameter values (both binary and analogue) are represented as 32 bits.

No	Type	Parameter	Description	Range	Unit
1	Read/Write	Setting Ie	Setting current	0 – 3000 (*)	Amp
2	Read/Write	Start Ramp	Time for start ramp	1 – 120	Sec
3	Read/Write	Stop Ramp	Time for stop ramp	0 – 120	Sec
4	Read/Write	Init Volt	Initial voltage for start ramp	30 – 70	%
5	Read/Write	End Volt	End voltage for stop ramp	30 – 70	%
6	Read/Write	Step Down	Voltage value to which the softstarter shall step down at stop and where it shall commence the stop ramp.	30 – 100	%
7	Read/Write	Current Lim	Level of the current limit.	2,0 – 7,0	xIe
8	Read/Write	Kick Start	Selection of Kick start	No, Yes	
9	Read/Write	Kick Level	Level of Kick start if selected	50 – 100	%
10	Read/Write	Kick Time	Time for Kick start if selected	0,1 – 1,5	Sec
11	Read/Write	Start Range	Selectable range for start ramp	1-30, 1-120	Sec
12	Read/Write	Stop Range	Selectable range for stop ramp	0-30, 0-120	Sec
13	Read/Write	Overload	Overload protection	No, Normal, Dual	
14	Read/Write	OL Class	Overload Class	10A, 10, 20, 30	
15	Read/Write	OL Class S	Overload Class, Dual type, Start Class	10A, 10, 20, 30	
16	Read/Write	OL Class R	Overload Class, Dual type, Run Class	10A, 10, 20, 30	
17	Read/Write	OL Op	Type of operation for overload protection	Stop-M, Stop-A, Ind	
18	Read/Write	Locked Rotor	Locked rotor protection	No, Yes	
19	Read/Write	Lock R Lev	Trip level for locked rotor protection	0,5 – 8,0	xIe
20	Read/Write	Lock R Time	Trip time for locked rotor protection	0,2 – 10,0	Sec
21	Read/Write	Lock R Op	Type of operation for locked rotor protection	Stop-M, Stop-A, Ind	
22	Read/Write	Underload	Underload protection	No, Yes	
23	Read/Write	Underl Lev	Trip level for Underload protection	0,4 – 0,8	xIe
24	Read/Write	Underl Time	Trip time for Underload protection	1 – 30	Sec
25	Read/Write	Underl Op	Type of operation for Underload protection	Stop-M, Stop-A, Ind	
26	Read/Write	Phase Imb	Phase imbalance protection	No, Yes	
27	Read/Write	Ph Imb Lev	Trip level for phase imbalance protection	10 – 80	%
28	Read/Write	Ph Imb Op	Type of operation for phase imbalance protection	Stop-M, Stop-A, Ind	
29	Read/Write	High I	High current protection	No, Yes	
30	Read/Write	High I Op	Type of operation for high current protection	Stop-M, Stop-A, Ind	
31	Read/Write	Phase Rev	Phase reversal protection	No, Yes	
32	Read/Write	Ph Rev Op	Type of operation for phase reversal protection	Stop-M, Stop-A, Ind	
33	Read/Write	PTC	PTC protection	No, Yes	
34	Read/Write	PTC Op	Type of operation for PTC protection	Stop-M, Stop-A, Ind	
35	Read/Write	Ext ByPass	External By-pass contactor is used	No, Yes	
36	Read	Dummy 36	Spare parameter	0	
37	Read/Write	Warn I=High	High current warning	No, Yes	
38	Read/Write	Wa I=H Lev	Trip level for high current warning	0,5 – 5,0	xIe
39	Read/Write	Warn I=Low	Low current warning	No, Yes	
40	Read/Write	Wa I=L Lev	Trip level for low current warning	0,4 – 1,0	xIe
41	Read/Write	Warn OL	Overload warning	No, Yes	
42	Read/Write	Wa OL Lev	Trip level for overload warning	40 – 99	%
43	Read/Write	Warn SCR OL	Thyristor overload warning	No, Yes	
44	Read/Write	Ph Loss Op	Type of operation for phase loss fault	Stop-M, Stop-A	
45	Read/Write	FB Fault Op	Type of operation for fieldbus fault	Stop-M, Stop-A	

No	Type	Parameter	Description	Range	Unit
46	Read/Write	Freq F Op.	Type of operation for frequency fault	Stop-M, Stop-A	
47	Read/Write	HS Temp Op	Type of operation for heat sink over temperature fault	Stop-M, Stop-A	
48	Read/Write	SCR SC Op	Type of operation for thyristor short circuit fault	Stop-M, Stop-A	
49	Read	In0	Function of programmable input In0	None, Reset, Enable, Jog, DOL-on, Start2, FB-Dis	
50	Read	In1	Function of programmable input In1	None, Reset, Enable, Jog, DOL-on, Start3, FB-Dis	
51	Read/Write	Relay K4	Function of programmable relay output K4	Run, TOR, Event	
52	Read/Write	Relay K5	Function of programmable relay output K5	Run, TOR, Event	
53	Read/Write	Relay K6	Function of programmable relay output K6	Run, TOR, Event	
54	Read/Write	SW Outp V7	Function of programmable software output V7	Run, TOR, Event	
55	Read/Write	Event K4	Different events to include for signalling with K4 if "Event" is selected	0 – 65535, Bit mask see separate description.	
56	Read/Write	Event K5	Different events to include for signalling with K5 if "Event" is selected	0 – 65535, Bit mask see separate description.	
57	Read/Write	Event K6	Different events to include for signalling with K6 if "Event" is selected	0 – 65535, Bit mask see separate description.	
58	Read/Write	Event V7	Different events to include for signalling with V7 if "Event" is selected	0 – 65535, Bit mask see separate description.	
59	Read	Fieldb Ctrl	Control of the softstarter with fieldbus	No, Yes	
60	Read	Fieldb Type	Type of fieldbus	AS-Int, Other	
61	Read	Fieldb Addr	Fieldbus address	0 – 1000	
62	Read/Write	No of Seq	Number of sequences for sequence start.	No, 2, 3	
63	Read/Write	Start Ramp1	1 st sequence, time for start ramp	1 – 120	Sec
64	Read/Write	Init Volt1	1 st sequence, initial voltage for start ramp	30 – 70	%
65	Read/Write	Curr Lim1	1 st sequence, current limit	2,0 – 7,0	xIe
66	Read/Write	1st Set Ie	1 st sequence, motor rated current	0 – 3000 (*)	Amp
67	Read/Write	Start Ramp2	2 nd sequence, time for start ramp	1 – 120	Sec
68	Read/Write	Init Volt2	2 nd sequence, initial voltage for start ramp	30 – 70	%
69	Read/Write	Curr Lim2	2 nd sequence, current limit	2,0 – 7,0	xIe
70	Read/Write	2nd Set Ie	2 nd sequence, motor rated current	0 – 3000 (*)	Amp
71	Read/Write	Start Ramp3	3 rd sequence, time for start ramp	1 – 120	Sec
72	Read/Write	Init Volt3	3 rd sequence, initial voltage for start ramp	30 – 70	%
73	Read/Write	Curr Lim3	3 rd sequence, current limit	2,0 – 7,0	xIe
74	Read/Write	3rd Set Ie	3 rd sequence, motor rated current	0 – 3000 (*)	Amp
75	Read	Language	Language to use on display	US/UK, FI, SE, PT, NL, IT, FR, ES, DE, CN, RU, TR	
76	Read	Dummy 76	Spare parameter	0	
77	Read	LCD Auto Off	Time for display automatic turn off	1 – 255	Sec
78	Read	Password	Password for display	0 – 255	
79	Read	Date Type	Type of date presentation	ISO, CE, US	
80	Read	Date Year	Year	2001 – 2060	
81	Read	Date Month	Month	1 – 12	
82	Read	Date Day	Day	1 – 31	
83	Read	Time Hour	Hour	0 – 23	
84	Read	Time Min	Minutes	0 – 59	
85	Read	S Port Ctrl	Serial port control	No, Yes	
86	Read	S Port Addr1	Address of service port 1 st group	0 – 255	
87	Read	S Port Addr2	Address of service port 2 nd group	0 – 255	
88	Read	S Port Addr3	Address of service port 3 rd group	0 – 255	
89	Read	S Port Addr4	Address of service port 4 th group	0 – 255	
90	Read	CT Ratio Ir	Ratio of current transformers	0 – 2500	
91	Read	Int ByPass	Built in by-pass contactor	No, Yes	
92	Read	ByPass AC3	AC3 value of built in by-pass contactor	0 – 2500	Amp

No	Type	Parameter	Description	Range	Unit
93	Read	SOP1	Thyristor Parameter 1	0,7 – 1,2	
94	Read	SOP2	Thyristor Parameter 2	0,05 – 20,00	
95	Read	SOP3	Thyristor Parameter 3	0,011 – 1,200	
96	Read	SOP4	Thyristor Parameter 4	1,0 – 20,0	
97	Read/Write	BP Closed Op	Type of operation for by-pass doesn't open	Stop-M, Stop-A	
98	Read/Write	BP Open Op	Type of operation for by-pass doesn't close	Stop-M, Stop-A	
99	Read	Dummy 99	Spare parameter	0	
100	Read	FCODE1	Factory code 1	0-10	
101	Read	FCODE2	Factory code 2	0-10	
102	Read	FCODE3	Factory code 3	0-10	
103	Read	FCODE4	Factory code 4	0-10	
104	Read	FCODE5	Factory code 5	0-100	
105	Read	FCODE6	Factory code 6	0-100	
106	Read	PST(B)	PST(B) size	1-2500	Amp
107	Read	FCODE7	Factory code 7	Yes, No	
108	Read	FCODE8	Factory code 8	Yes, No	
109	Read	FCODE9	Factory code 9	Yes, No	
110	Read	FCODE10	Factory code 10	0-25	

*) For the purpose of having one common GSD-file for the whole range of softstarters “Setting Ie”, “1st Set Ie”, “2nd Set Ie” and “3rd Set Ie” have the range 0 – 3000 Amp. The softstarter in itself will have a much more narrow range defined by its rated current and only values within the softstarters range will be accepted, other values will be skipped.

16 Bit Mask for Events on Relay outputs	
Bit 0	Overload
Bit 1	Fault
Bit 2	High I
Bit 3	SCR OL
Bit 4	Locked Rotor
Bit 5	Underload
Bit 6	Phase Imb
Bit 7	PTC
Bit 8	Phase Rev
Bit 9	Warn OL
Bit 10	Warn SCR OL
Bit 11	Warn I=High
Bit 12	Warn I=Low
Bit 13	Shunt Fault
Bit 14	Spare
Bit 15	Spare



ABB Automation Technologies AB, Cewe-Control
S-721 61 Västerås, SWEDEN
Telephone +46 21 32 07 00
TELEFAX +46 21 12 60 01