

Softstart

PS D75...145 with OL

PS DH30...110

**Changing of current
transformers**

5309 717-1 Rev1 Dec-01



Check List for changing the current transformers.

Please note!

The life span of electronics can be affected by damage caused by electrostatic discharge. This can happen if a component is touched by a charged tool or person. Therefore it is very important that all tools and personnel are discharged by touching an earthed point before the printed circuit board or any of the components are touched. It is equally important to discharge the package with the new component before opening it.

A person walking on a carpet is able to be charged with up to fifteen thousand volt (15000V). Compare this with the fact that some sensitive components can be destroyed when discharged on a much lower level (about 100V). We kindly ask you to pay notice to this as this is a vital point in order to ensure the life span of the product.

Step by step.

- Remove the front cover with the printed name SOFTSTART (6 screws).
- Discharge the tools and yourself by touching earth.
- Disconnect the ribbon cable (5), the cables from the current transformers (6), the terminal (2) and the plate (4) from the PCB (7).
- Remove the gable (3) and the PCB (7).
- Disconnect the flexible connections (8) which is going through the current transformers.
- Remove the old current transformers and mount the new.
- Mount the flexible connections (8), PCB (7) and the gable (3) again.
- Connect the ribbon cable (5), the cables from the current transformers (6) (see note below), the terminal (2) and the plate (4) on the PCB (7).
- Mount the front cover with the 6 screws.
- Change the label for the current setting (see fig 3).
- Change the marking plate (see fig 4).

Ready!!

Please note: The connections of the current transformers.



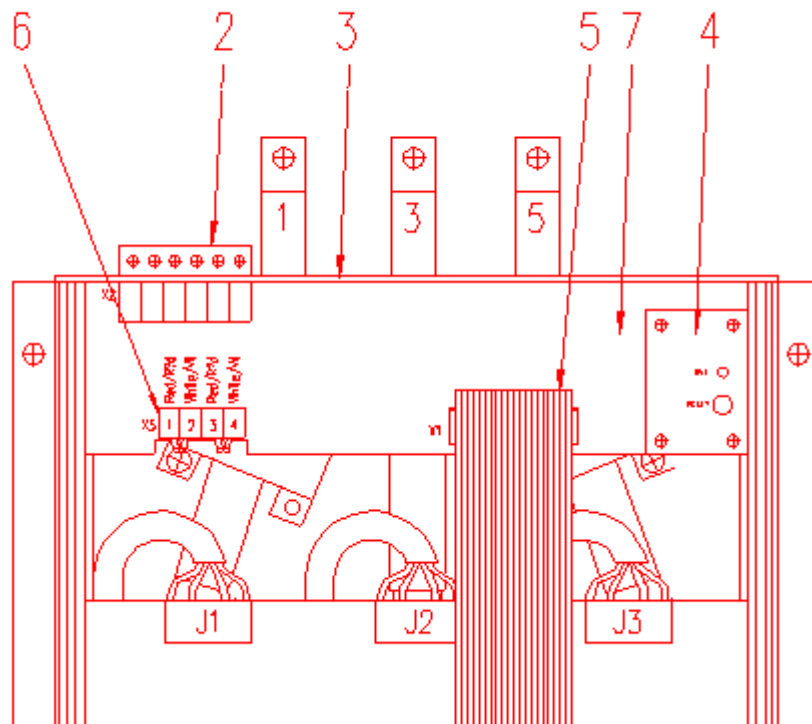


Fig1.

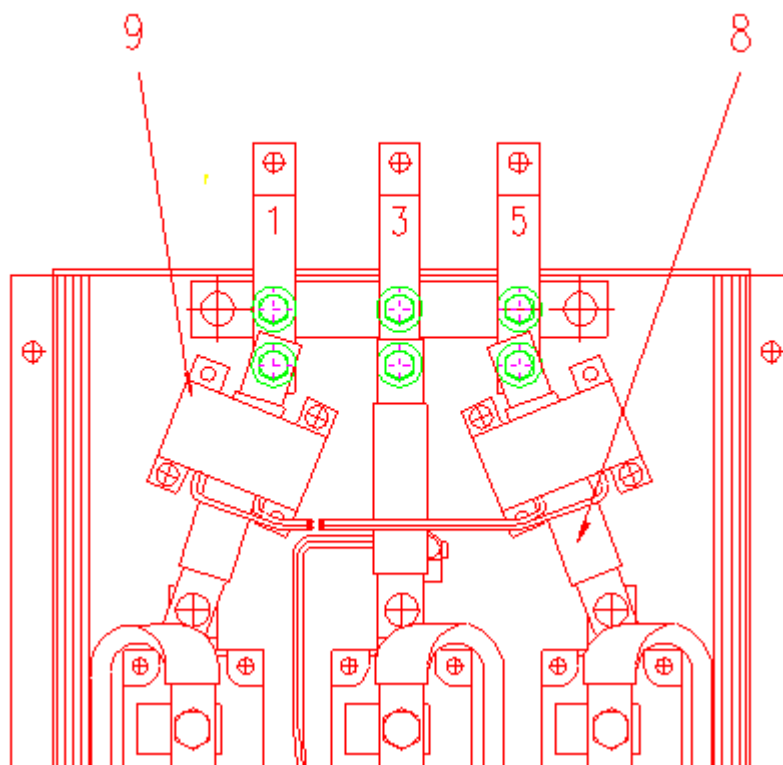


Fig2.

10

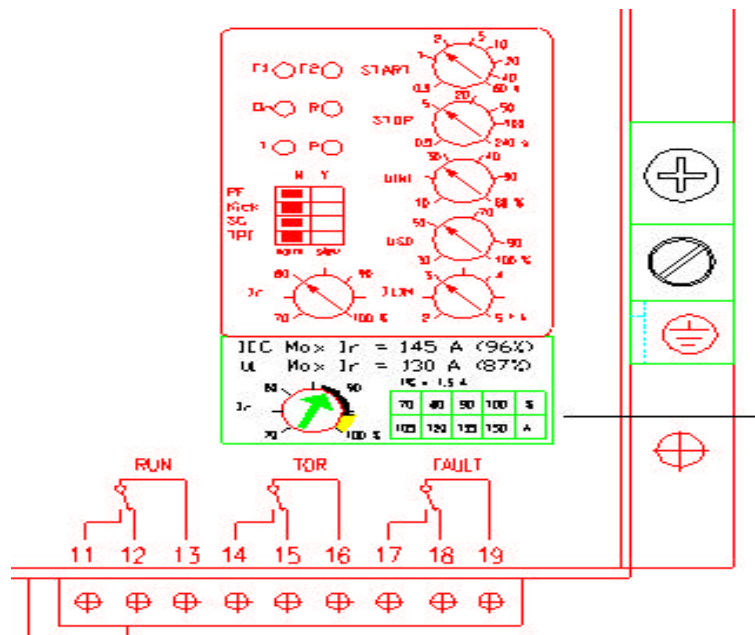


Fig3.

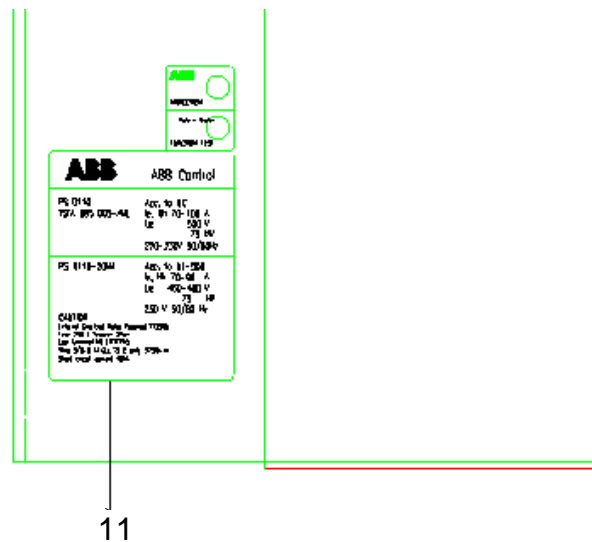


Fig4.



ABB Automation Technology Products AB, Control
S-721 61 Västerås, SWEDEN

Telephone +46 21 32 07 00
TELEFAX +46 21 12 60 01