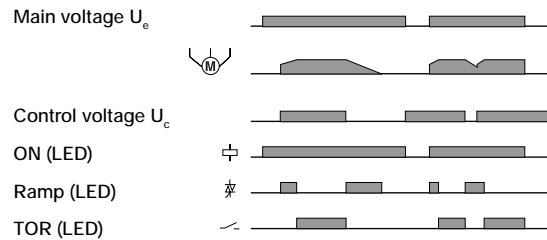


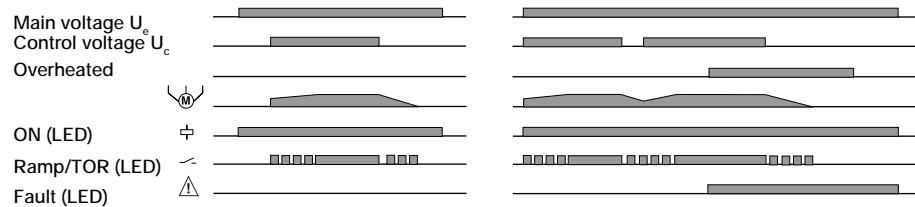
U_e	U_e	U_e	U_e						
230 V	400 V	500 V	600 V						
P_e	P_e	P_e	P_e	I_e	U_c				
kW	kW	kW	kW	A	V				
0.75	-	-	-	3.5	1)	PS S 03-220B	1SFA 89 1001 R2209		
-	1.1	-	-	3.5	2)	PS S 03-400B	1SFA 89 1001 R4009		
-	-	1.5	-	3.5	3)	PS S 03-480B	1SFA 89 1001 R4809		
3.0	-	-	-	12	1)	PS S 12-220B	1SFA 89 1002 R2209		
-	5.5	-	-	12	2)	PS S 12-400B	1SFA 89 1002 R4009		
-	-	5.5	-	12	3)	PS S 12-480B	1SFA 89 1002 R4809		
-	-	-	7.5	12	3)	PS S 12-600B	1SFA 89 1002 R6009		
6.5	-	-	-	25	1)	PS S 25-220B	1SFA 89 1003 R2209		
-	11.0	-	-	25	2)	PS S 25-400B	1SFA 89 1003 R4009		
-	-	15.0	-	25	3)	PS S 25-480B	1SFA 89 1003 R4809		
-	-	-	18.5	25	3)	PS S 25-600B	1SFA 89 1003 R6009		

- 1) Control Voltage 24-110 VAC/DC, 110-230 VAC
2) Control Voltage 24-110 VAC/DC, 110-400 VAC
3) Control Voltage 24-110 VAC/DC, 110-500 VAC

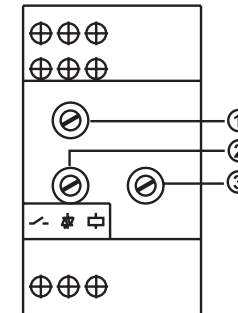
PS S 03...12



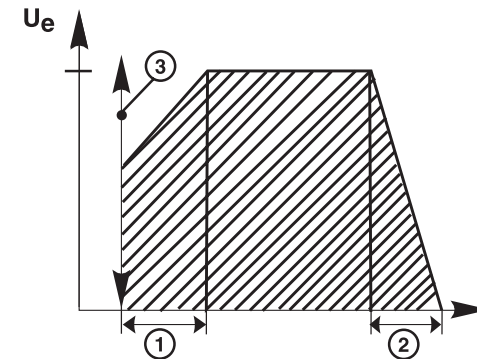
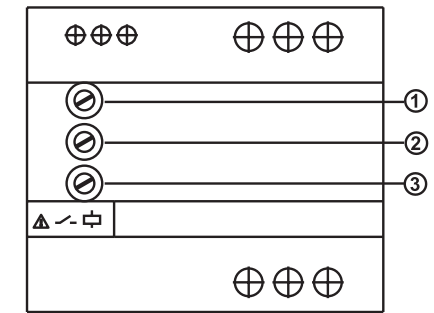
PS S 25



PS S 03...12



PS S 25



PS S 03...12

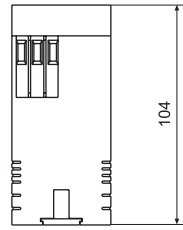
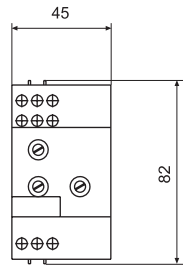
- ① Start: 0.5 - 6.5s +/- 15 %
② Stop: 0.5 - 8s +/- 25 %
③ U_{ini} : 0 - 85 % +/- 15 %

PS S 25

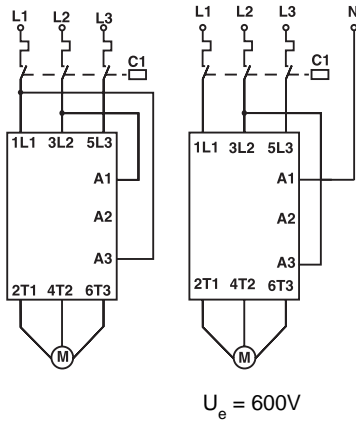
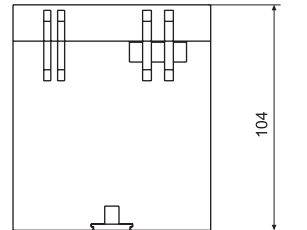
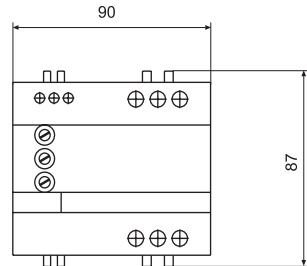
- ① Start: 0.5 - 10s +/- 10 %
② Stop: 0.5 - 20s +/- 10 %
③ U_{ini} : 550 % +/- 5 %

PS S 03...12 1L1 3L2 5L3 ○ ○ ○ ○ ○ ○ 2T1 4T2 6T3	M5 0,5 Nm - 4,5 lb.in	□4 Pozidriv N° 1 	 1 x 2,5 mm ² AWG14 1 x 2,5 mm ² AWG14 1 x 2,5 mm ² AWG14 1 x 2,5 mm ² AWG14
PS S 25 1L1 3L2 5L3 ○ ○ ○ ○ ○ ○ ○ ○ 2T1 4T2 6T3	M5 2 Nm - 18 lb.in	□6,5 Pozidriv N° 2 	 1 x 10 mm ² AWG 6 2 x 6 mm ² AWG 10 1 x 10 mm ² AWG 6 2 x 6 mm ² AWG 10
A1 A2 A3 ○ ○ ○	M5 0,5 Nm - 4,5 lb.in	□4 Pozidriv N° 1 	 0,5 x 2,5 mm ² AWG 14...20 0,5 x 2,5 mm ² AWG 14...20

PSS 03...12



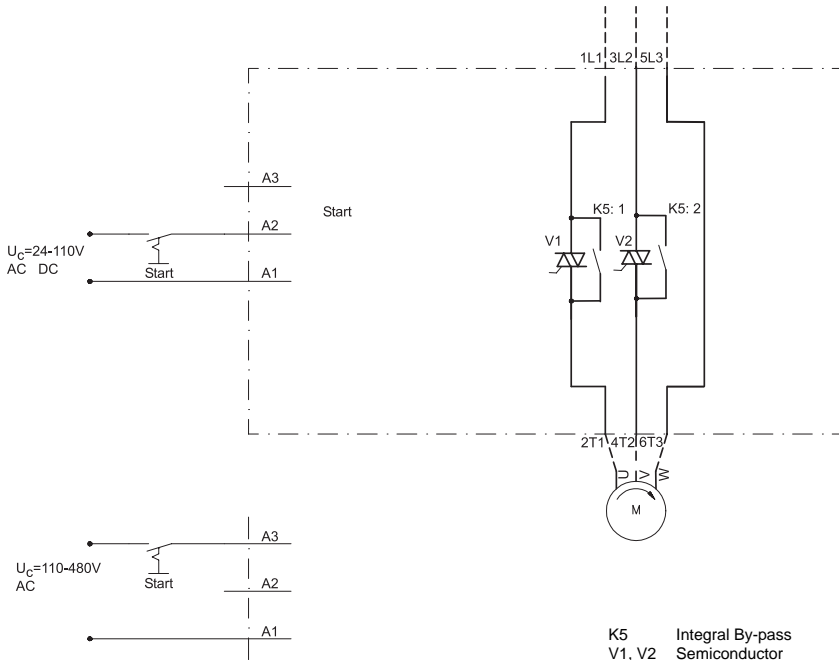
PSS 25



Installation and maintenance manual
 Installations- und Wartungshinweise
 Installatie en onderhoudshandleiding
 Manuel d'installation et de maintenance
 Instrucciones de instalación y mantenimiento
 Istruzioni di installazione e manutenzione
 Manual de instalação e manutenção
 Installation och skötselanvisning

Softstarter
 Sanftanlasser
 Démarreurs progressifs
 Arrancadores suaves
 Arrancadores
 Mjukstartare
 PS S 03...25

1SFC 388004-89 ed.2, 2001-12-07



Manual 1SFC 388004-89, ed.2, Dec. 2001, Prod. ABB Automation Technology Products AB, Control/CM, SE-721 61 Västerås, Sweden, Tel +46 21 32 07 00, Fax +46 21 12 60 01

