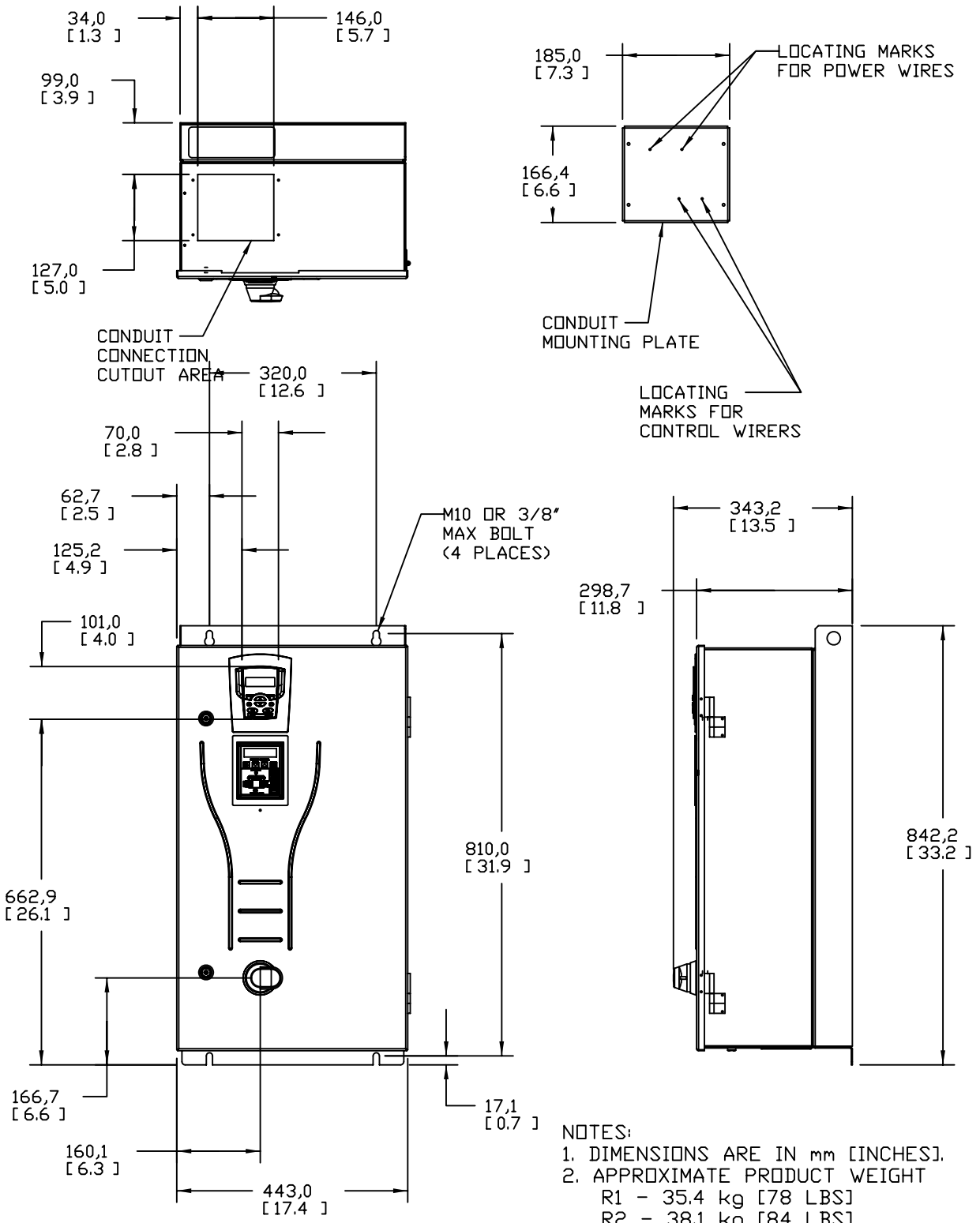


Third angle projection. Original drawing made with Pro/ENGINEER. Set the correct scale factor when adding dimensions after DWG/DXF projection.



NOTES:
 1. DIMENSIONS ARE IN mm [INCHES].
 2. APPROXIMATE PRODUCT WEIGHT
 R1 - 35.4 kg [78 LBS]
 R2 - 38.1 kg [84 LBS]

F-3BUA0980502-k, rev. 2, 10-21-04

Cust. Doc. No.		Based on		Customer	
ABB Ref. No.					
Prep.	D.CRAWLEY	27-APR-07	Title	DIMENSION DRAWING	Doc. des.
Check.	D.CRAWLEY	27-APR-07		E-CLIPSE B1 TYPE 12	ASSEMBLY DRAWING
Appr.	D.TRUETTNER	27-APR-07			Scale
Project name					0.090
					Form
					A
					Lang.
					EN
					Sheet
					1
					Total
					1

