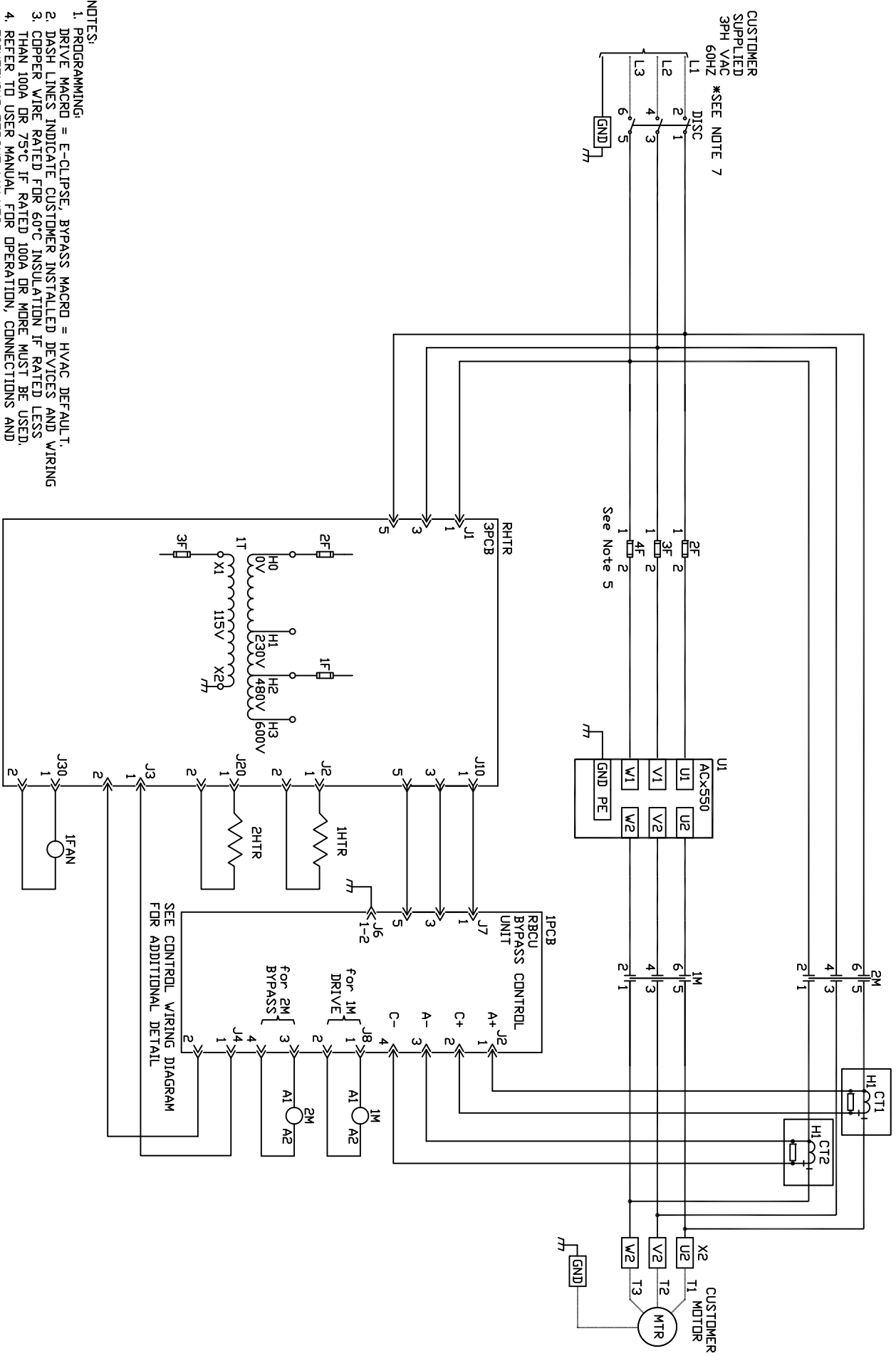


- NOTES:
1. PROGRAMMING: DRIVE MACRO = E-CLIPSE, BYPASS MACRO = HVAC, DEFAULT 'I'.
 2. DASH LINES INDICATE CUSTOMER INSTALLED DEVICES AND WIRING
 3. COPPER WIRE RATED FOR 60°C INSULATION IF RATED LESS THAN 100A OR 75°C IF RATED 100A OR MORE MUST BE USED.
 4. REFER TO USER MANUAL FOR OPERATION, CONNECTIONS AND TIGHTENING TORQUE VALUES.
 5. FUSE RATING LABEL IS NEAR DEVICE.
 6. CUSTOMER REQUIRED TO PROVIDE BRANCH CIRCUIT PROTECTION AND DISCONNECT MEANS PER NEC AND LOCAL CODE.
 7. SHORT CIRCUIT CURRENT: 100kA RMS SYMMETRICAL, 480V MAXIMUM WITH REQUIRED FUSES. REFER TO RATING LABEL OR SUBMITTAL SCHEDULE FOR TYPE AND SIZE.
 8. TRANSFORMER IT IS WIRED FOR APPROPRIATE PRIMARY VOLTAGE.



A B C D E F G H I J K L M N P R S T W X Y

Rev	Description	Date	Appd	Description	Project Name	Approved By	Responsible	Date	Reference Number	Sheet
L	SEE ECN 10003203	06/23/09	DC	ACH550 Power Wiring Diagram	ACH550 E-CLIPSE BYPASS INPUT DISCONNECT SWITCH	J. Truettner	ABBB	9/19/2007	BD00R324PW-A	A
Based On						J. Brenner	ABBB		3AUAD000014954	B