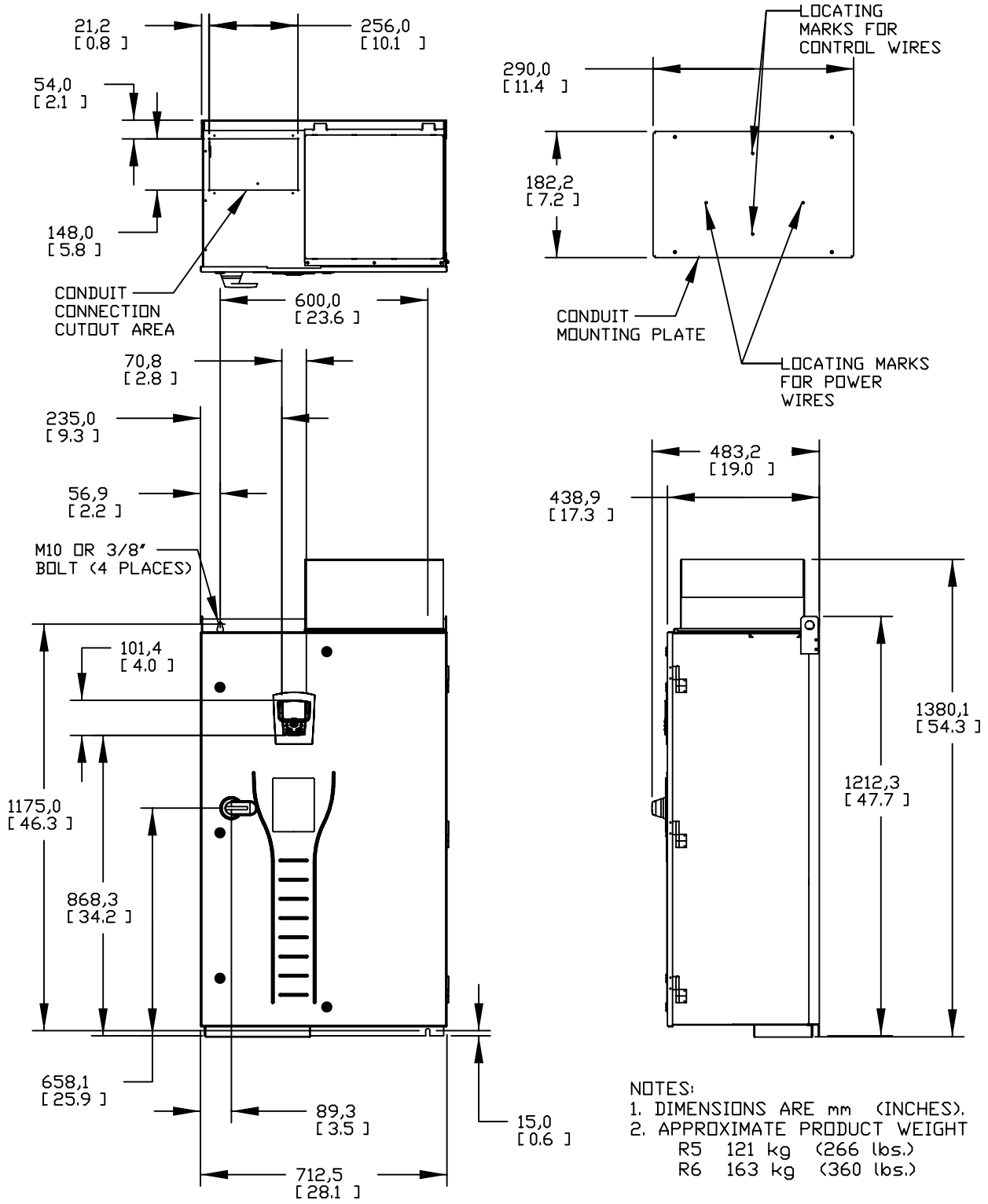


3AUA000016382	***	We reserve all rights in this document and in the information contained therein. Reproduction, use or disclosure to third parties without express authority is strictly forbidden.
3AUA000018942 (ASSEM)	A.0+	©ABB Inc. (US)

Third angle projection. Original drawing made with Pro/ENGINEER. Set the correct scale factor when adding dimensions after DWG/DXF projection.



- NOTES:
 1. DIMENSIONS ARE mm (INCHES).
 2. APPROXIMATE PRODUCT WEIGHT
 R5 121 kg (266 lbs.)
 R6 163 kg (360 lbs.)

F-3BUA0980502-k, rev. 2, 10-21-04

Cust. Doc. No. ABB Ref. No.		Based on		Customer			
Prep. R.GONIA	04-SEP-07	Title DIMENSION DRAWING		Doc. des. ASSEMBLY DRAWING	Scale 0,255	Form A	
Check. R.GONIA	04-SEP-07	E-CLIPSE B3		Resp.dept. 40060	Rev.ind. A (AP)	Lang. EN	
Appr. D.TRUETTNER	31-OCT-07	TYPE 12		Doc. No. 3AUA000016382	Sheet 1		Total 1
Project name				Weight kg			
ABB Inc.							