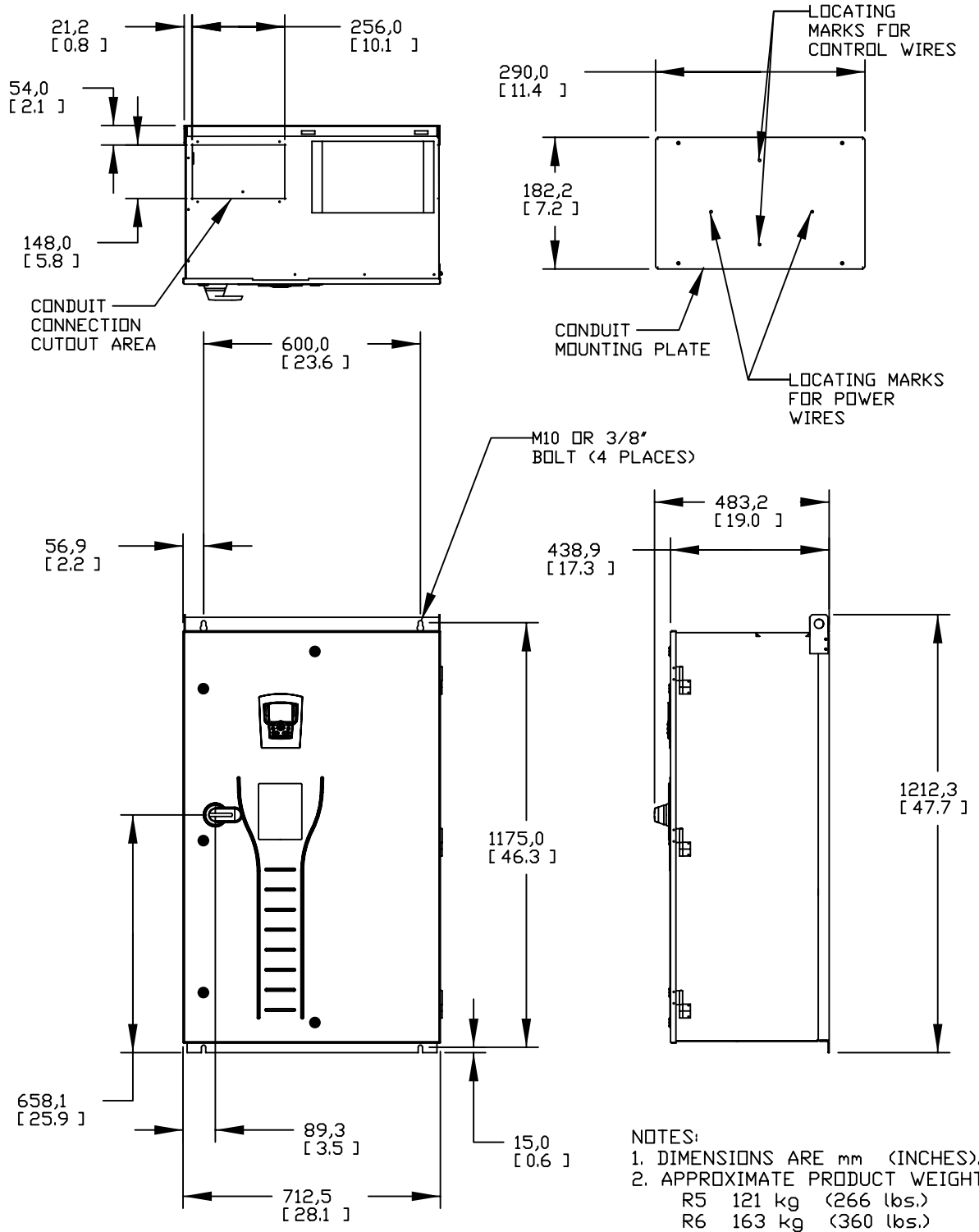


3AUA0000016381	A.0+	We reserve all rights in this document and in the information contained therein. Reproduction, use or disclosure to third parties without express authority is strictly forbidden. ©ABB Inc. (US)
3AUA0000018942 (ASSEM)	A.0+	

Third angle projection. Original drawing made with Pro/ENGINEER. Set the correct scale factor when adding dimensions after DWG/DXF projection.



- NOTES:
 1. DIMENSIONS ARE mm (INCHES).
 2. APPROXIMATE PRODUCT WEIGHT
 R5 121 kg (266 lbs.)
 R6 163 kg (360 lbs.)

F-3BUA0980502-k, rev. 2, 10-21-04

Cust. Doc. No. ABB Ref. No.		Based on		Customer			
Prep. R.GONIA	04-SEP-07	Title DIMENSION DRAWING E-CLIPSE B3 TYPE 1		Doc. des.	Scale	Form	
Check. R.GONIA	04-SEP-07			ASSEMBLY DRAWING	0,255	A (AP)	
Appr. D. TRUETTNER 31-OCT-07		Project name		Resp.dept.	Rev.ind.	Lang. EN	
Weight kg				Doc. No.		Sheet 1	
				3AUA0000016381		Total 1	