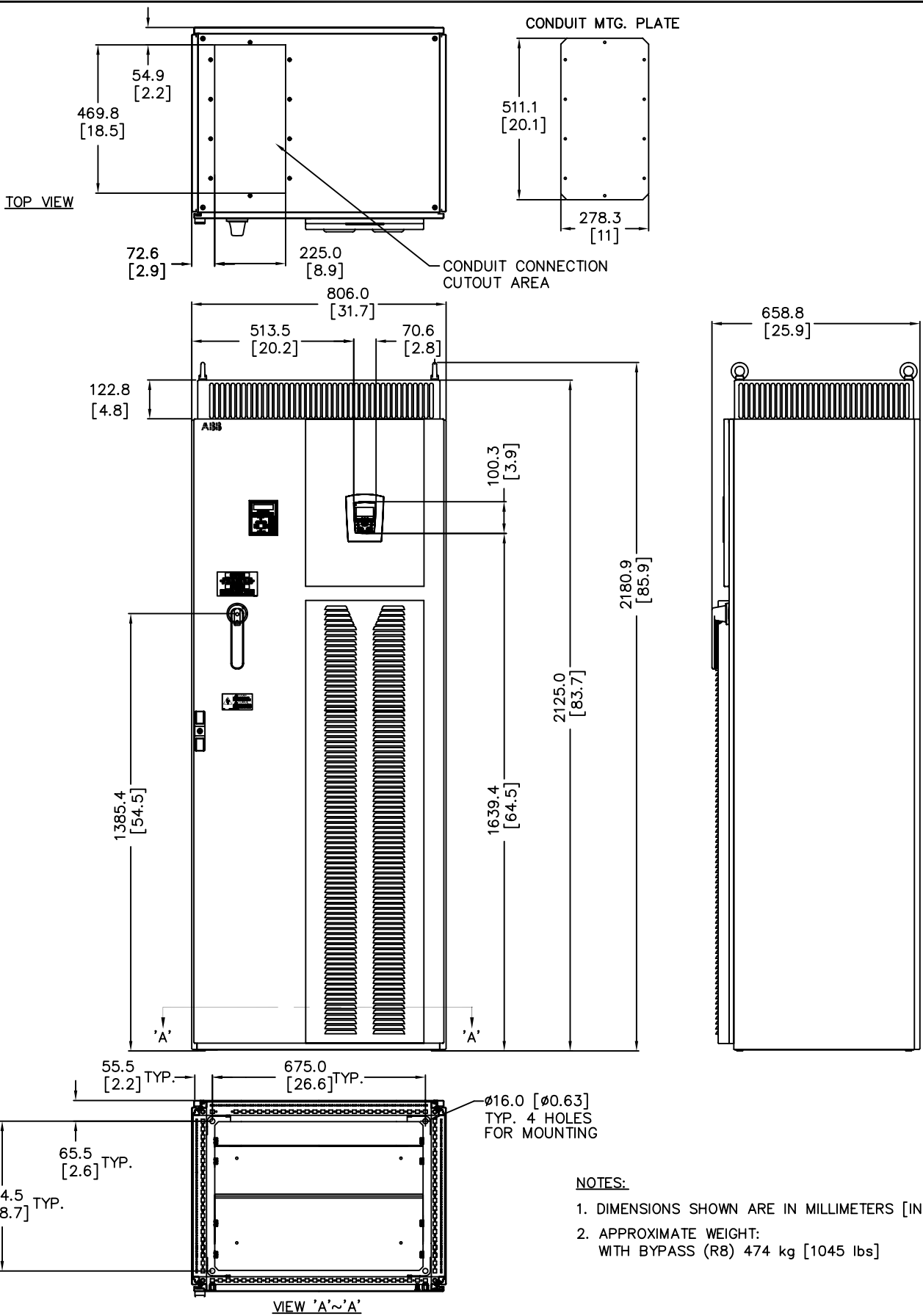


We reserve all rights in this document and the information contained therein. Reproduction, use, or disclosure to third parties without express written authority is strictly forbidden. © ABB Automation Inc. (US)



**NOTES:**

1. DIMENSIONS SHOWN ARE IN MILLIMETERS [INCHES]
2. APPROXIMATE WEIGHT:  
WITH BYPASS (R8) 474 kg [1045 lbs]

F-3BUA0980502-d, rev. 1, 6-1-00

ECO #	Rev. descr.			Title <b>DIMENSIONAL DRAWING E-CLIPSE B4 TYPE 1</b>		Cont. sh.	
Prep.	USINY/ 45069	D.CRAWLEY	09/17/07			--	
Appr.	USINY/ 45069	D.TRUETTNER	09/17/07				
Resp. dept.	USINY/ 45069		09/17/07				
				Document number	Lang.	Rev. ind.	Sheet
<b>ABB Automation and Drives</b>				<b>3AUA0000016384</b>	EN	A	1