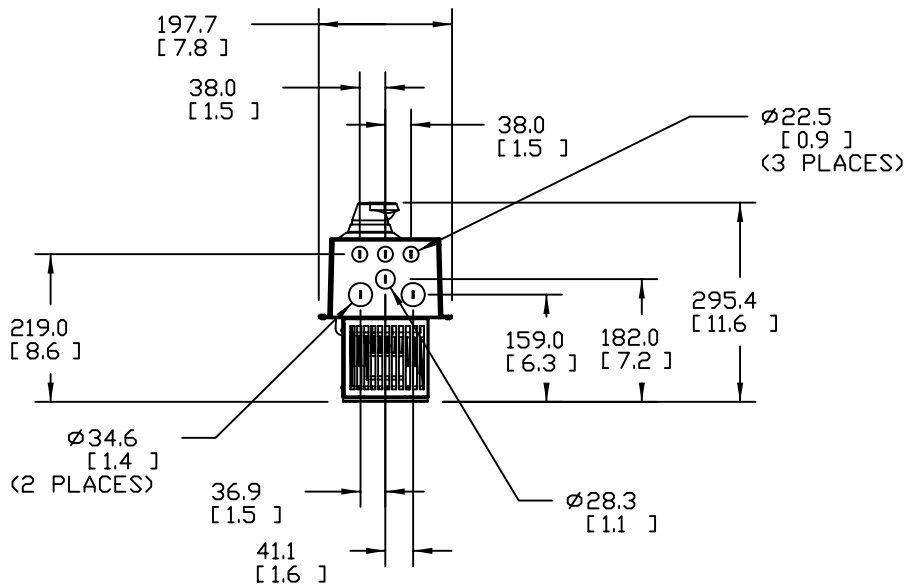
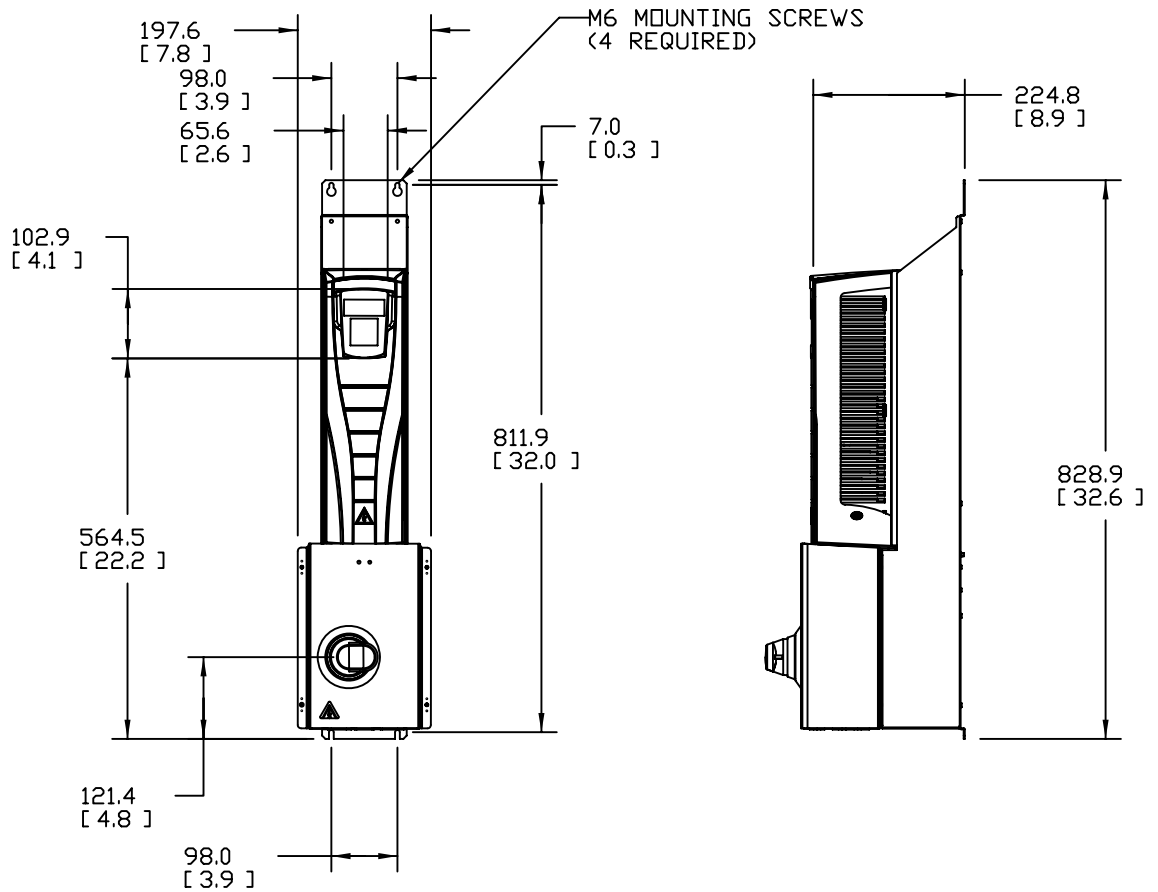


We reserve all rights in this document and the information contained therein. Reproduction, use, or disclosure to third parties without express written authority is strictly prohibited. Automation Inc. (US)





BOTTOM VIEW

NOTES

1. DIMENSIONS SHOWN ARE IN MM [INCHES].
2. PRODUCT WEIGHT: 19 kg [42 lbs.].

F-3BUAD980502-d, rev. 1, 6-1-00

ECO # 500000005282		Rev. descr Revised the product weight in note 2 and chg'd title description.							
Prep.	USINY/ 40062	D.Varble	1/11/08	Title 550 DRIVE W/INPUT DISCONNECT UL TYPE 1, R2				Cont. sh. 2	
Appr.	USINY/ 40062	J.Brenner	1/11/08						
Resp. dept.	USINY/ 45069	40062	6/21/04						
 ABB Automation and Drives				Document number	Lang.	Rev. ind.	Sheet		
				3AUA0000008218	EN	D	1		