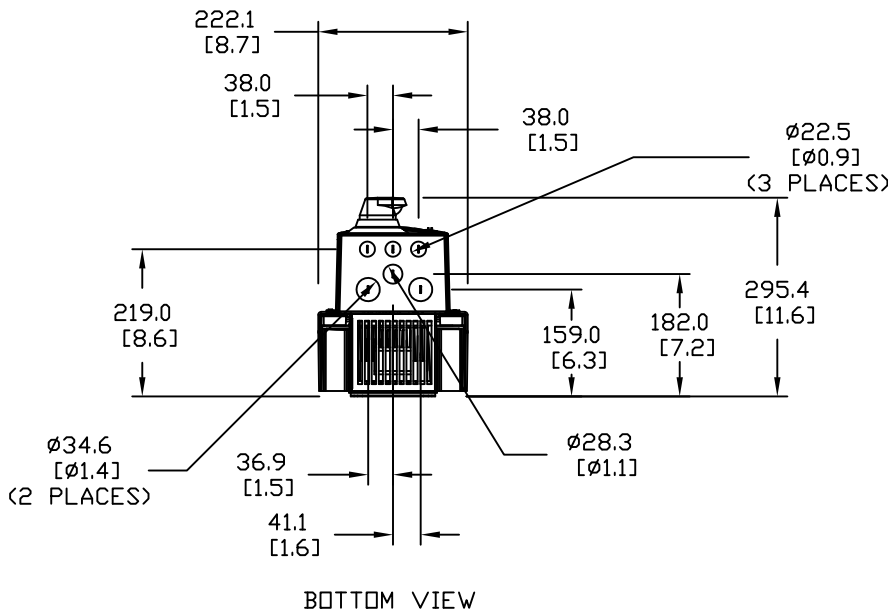
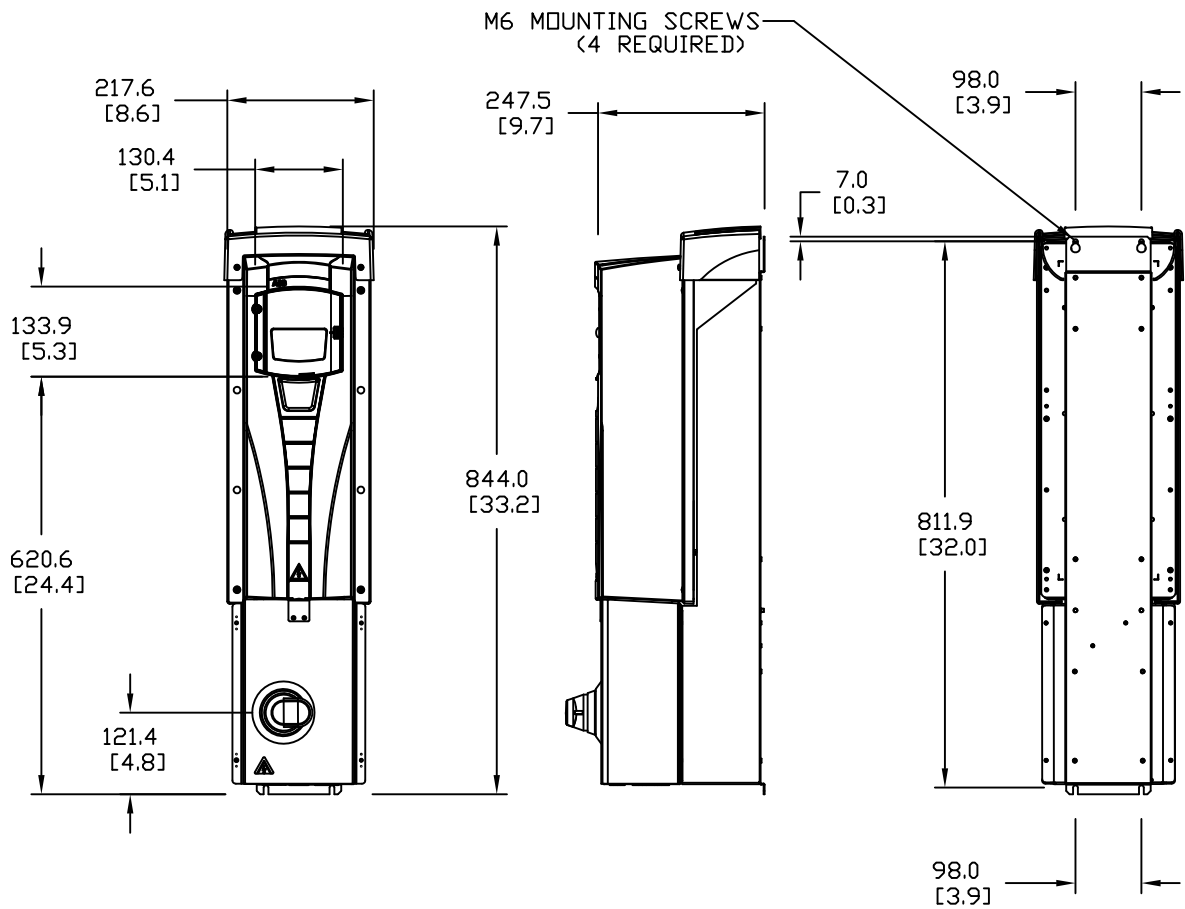


We reserve all rights in this document and the information contained therein. Reproduction, use, or disclosure to third parties without express written authority is strictly forbidden. ABB Automation Inc. (US)



NOTES

1. DIMENSIONS SHOWN ARE IN MM [INCHES].
2. PRODUCT WEIGHT: 21 kg [47 lbs.].

F-3BUAD980502-d, rev. 1, 6-1-00

ECD # 500000142134		Rev. descr. Added inches to dimensions on sheet 2.		Title DIMENSION DRAWING			Cont. sh.
Prep.	USINY/ 20050	D.Varble	9/25/09	550 DRIVE W/INPUT DISCONNECT			-
Appr.	USINY/ 20050	J.Brenner	9/25/09	UL TYPE 12, R2			
Resp. dept.	USINY/ 45069	20050	6/21/04	Document number	Lang.	Rev. Ind.	Sheet
ABB Automation and Drives				3AUA0000008218	EN	E	2