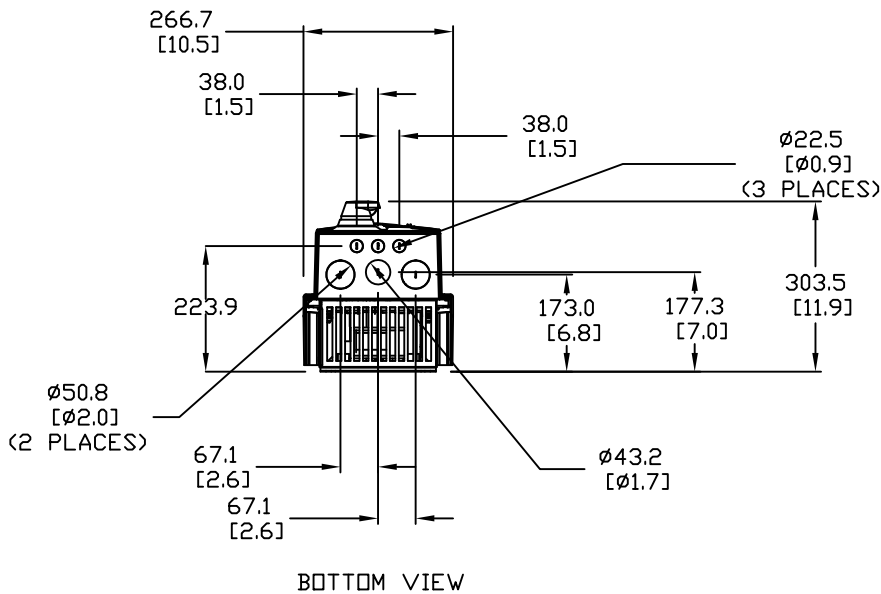
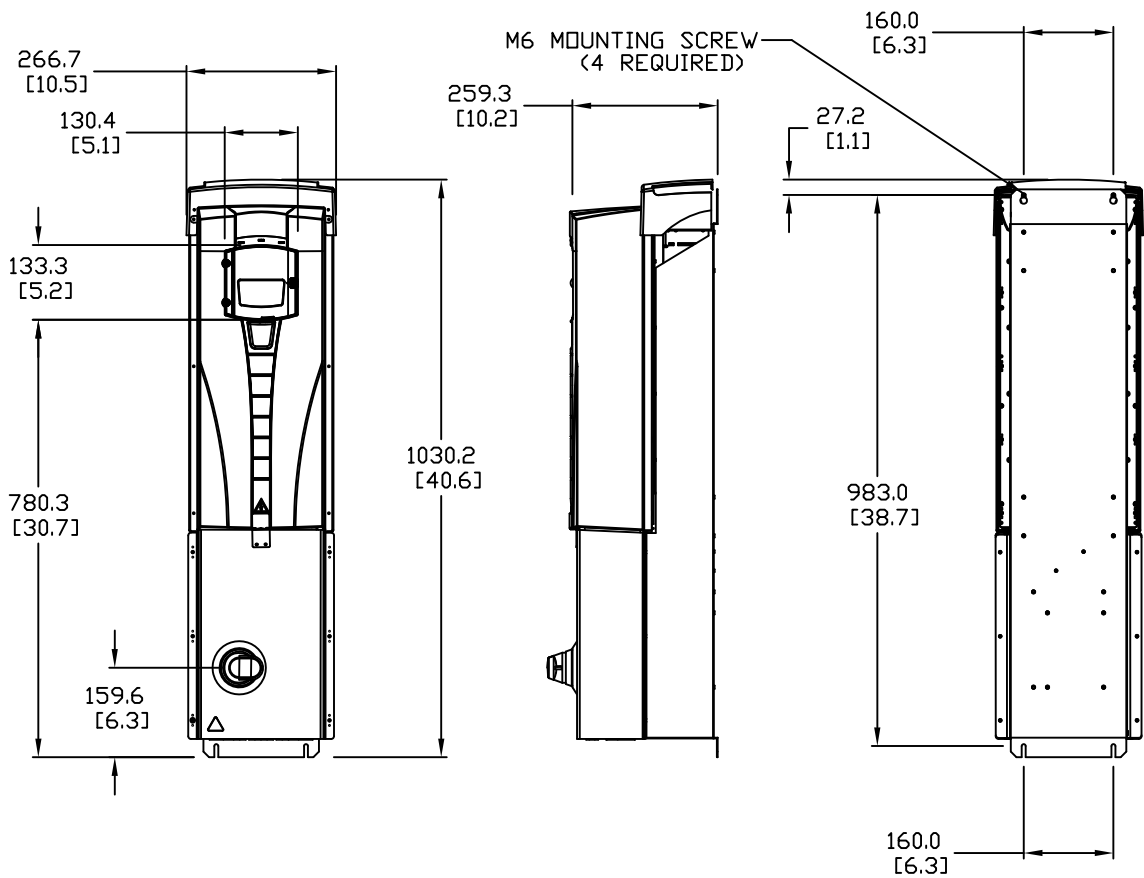


We reserve all rights in this document and the information contained therein. Reproduction, use, or disclosure to third parties without express written authority is strictly forbidden. ABB Automation Inc. (US)



**NOTES**

1. DIMENSIONS SHOWN ARE IN MM [INCHES].
2. PRODUCT WEIGHT: 36 kg [78 lbs.].

F-3BUAD980502-d, rev. 1, 6-1-00

ECD # 500000142134 Rev. descr. Added inches to dimensions on sheet 2.				Title DIMENSION DRAWING			Cont. sh.
Prep.	USINY/ 20040	D.Varble	9/25/09	550 DRIVE W/INPUT DISCONNECT			-
Appr.	USINY/ 20040	J.Brenner	9/25/09	UL TYPE 12, R3			
Resp. dept.	USINY/ 45069	20040	6/21/04	Document number	Lang.	Rev. Ind.	Sheet
<b>ABB Automation and Drives</b>				3AUA0000008220	EN	E	2