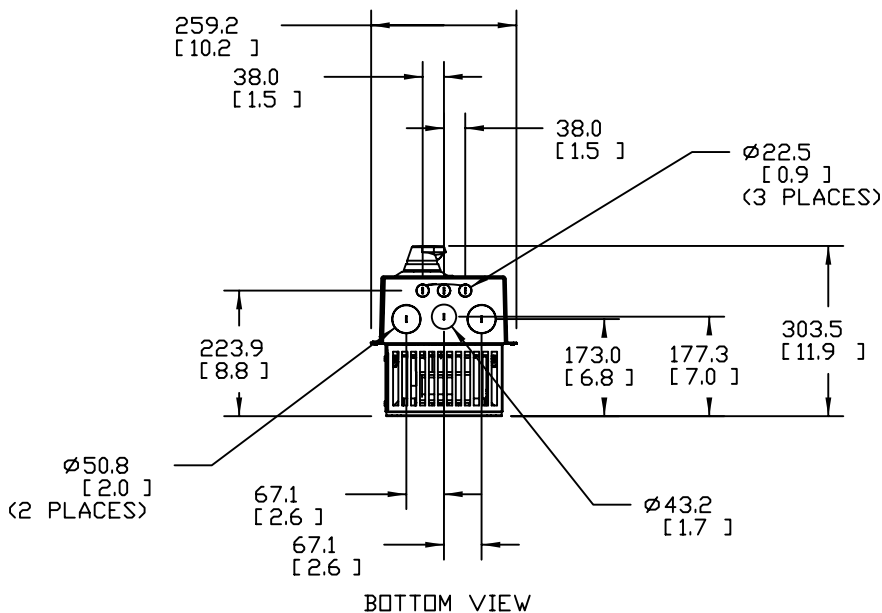
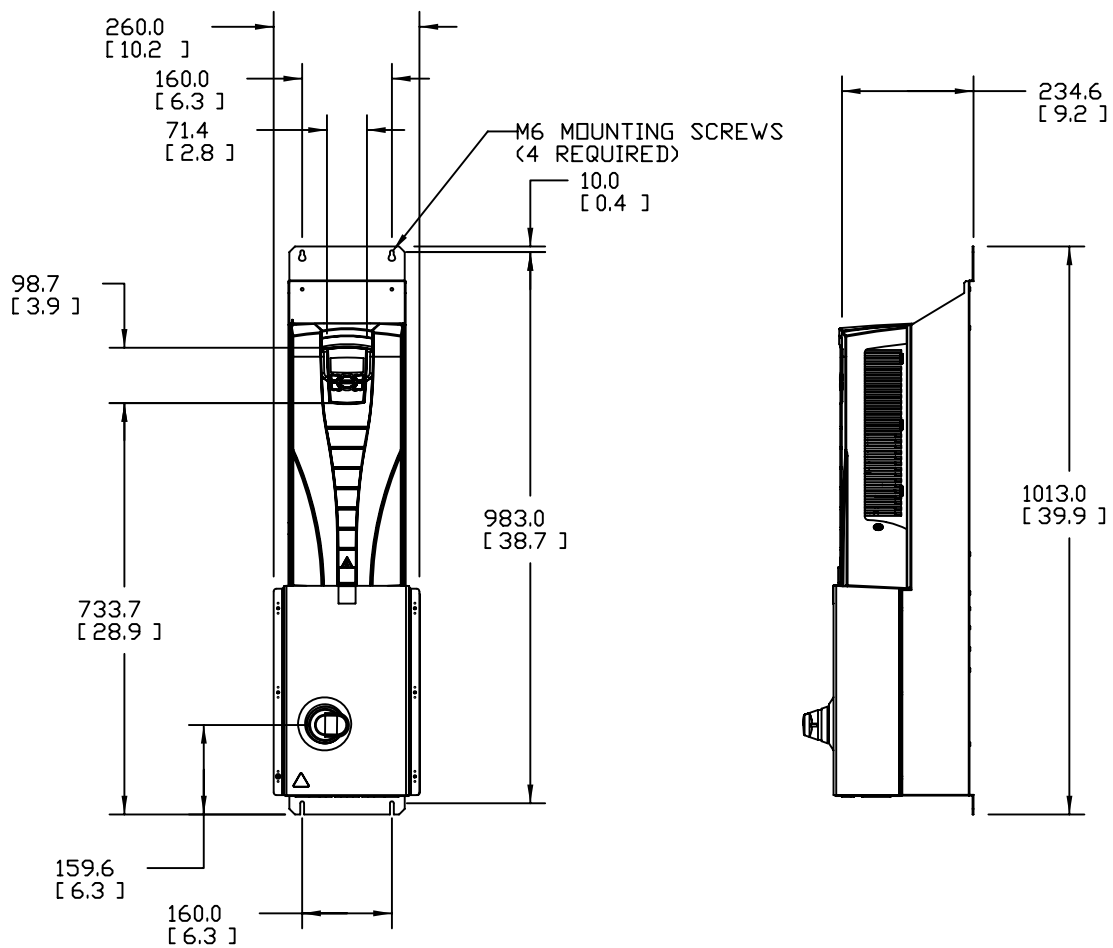


We reserve all rights in this document and the information contained therein. Reproduction, use, or disclosure to third parties without express written authority is strictly forbidden. ABB Automation Inc. (US)



NOTES
 1. DIMENSIONS SHOWN ARE IN MM [INCHES].
 2. PRODUCT WEIGHT: 34 kg [75 lbs.].

F-3BUAD980502-d, rev. 1, 6-1-00

ECD #	500000005282	Rev. descr.	Revised product weight in note 2 and chg'd title description.		
Prep.	USINY/ 40062	D.Varble	1/11/08	Title	DIMENSION DRAWING
Appr.	USINY/ 40062	J.Brenner	1/11/08	550 DRIVE W/INPUT DISCONNECT	
Resp. dept.	USINY/ 45069	40062	6/21/04	UL TYPE 1, R3	
ABB Automation and Drives				Document number	3AUA0000008220
				Lang.	EN
				Rev. Ind.	D
				Sheet	1
				Cont. sh.	2