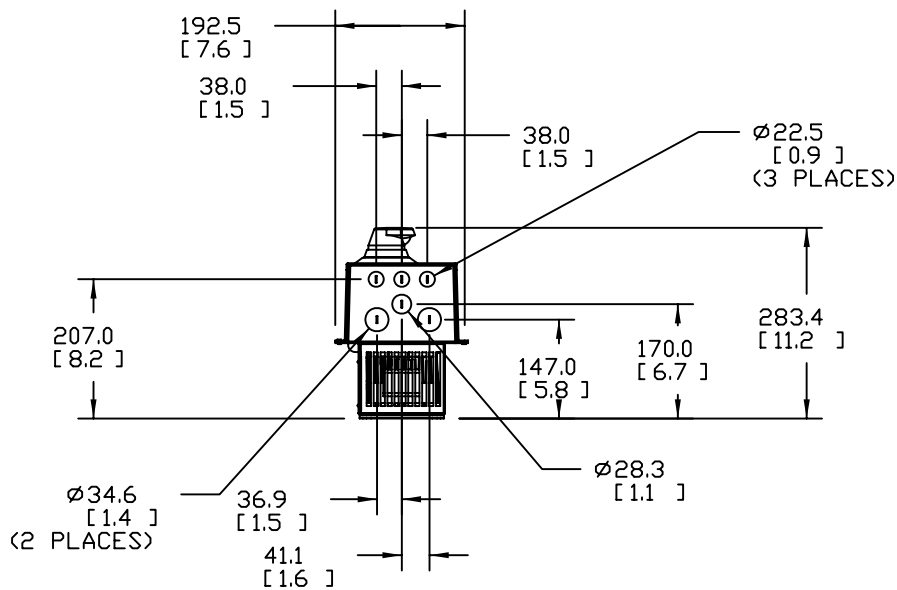
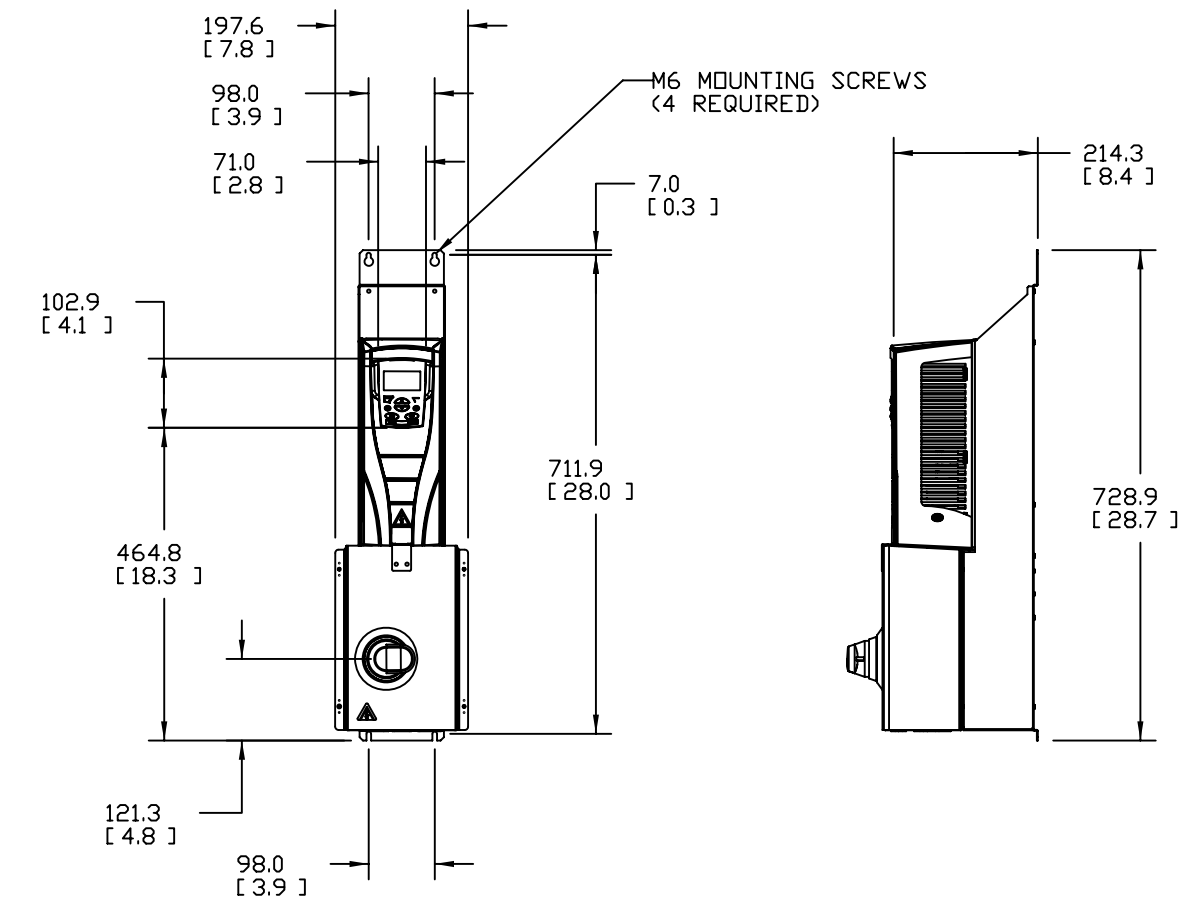


We reserve all rights in this document and the information contained therein. Reproduction, use, or disclosure to third parties without express written authority is strictly forbidden. ABB Automation Inc. (US)



BOTTOM VIEW

NOTES

1. DIMENSIONS SHOWN ARE IN MM [INCHES].
2. PRODUCT WEIGHT: 15 kg [32 lbs.].

F-3BUAD980502-d, rev. 1, 6-1-00

ECO # 500000005282		Rev. descr. Revised the product weight in note 2 and chg'd title description.		Title DIMENSION DRAWING		Cont. sh.
Prep.	USINY/ 40062	D.Varble	1/11/08	550 DRIVE W/INPUT DISCONNECT		
Appr.	USINY/ 40062	J.Brenner	1/11/08	UL TYPE 1, R1		1
Resp. dept.	USINY/ 45069	40062	6/21/04	Document number	Lang. EN	
ABB Automation and Drives				3AUA0000008216		