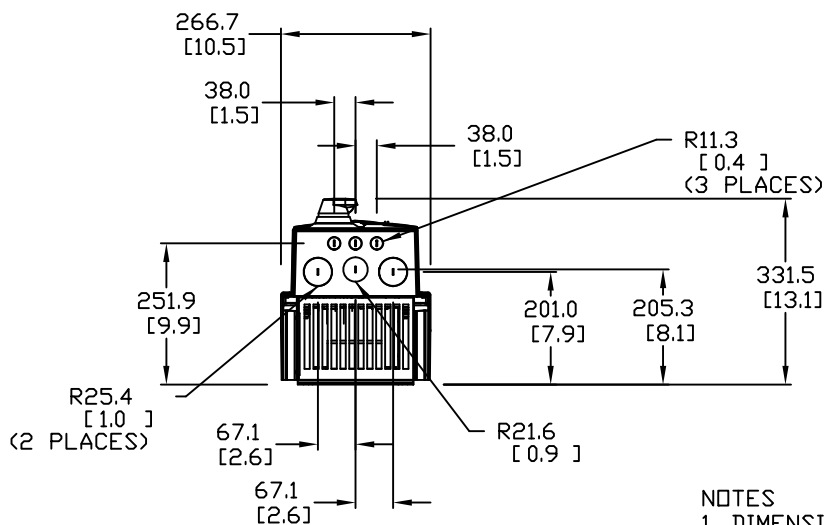
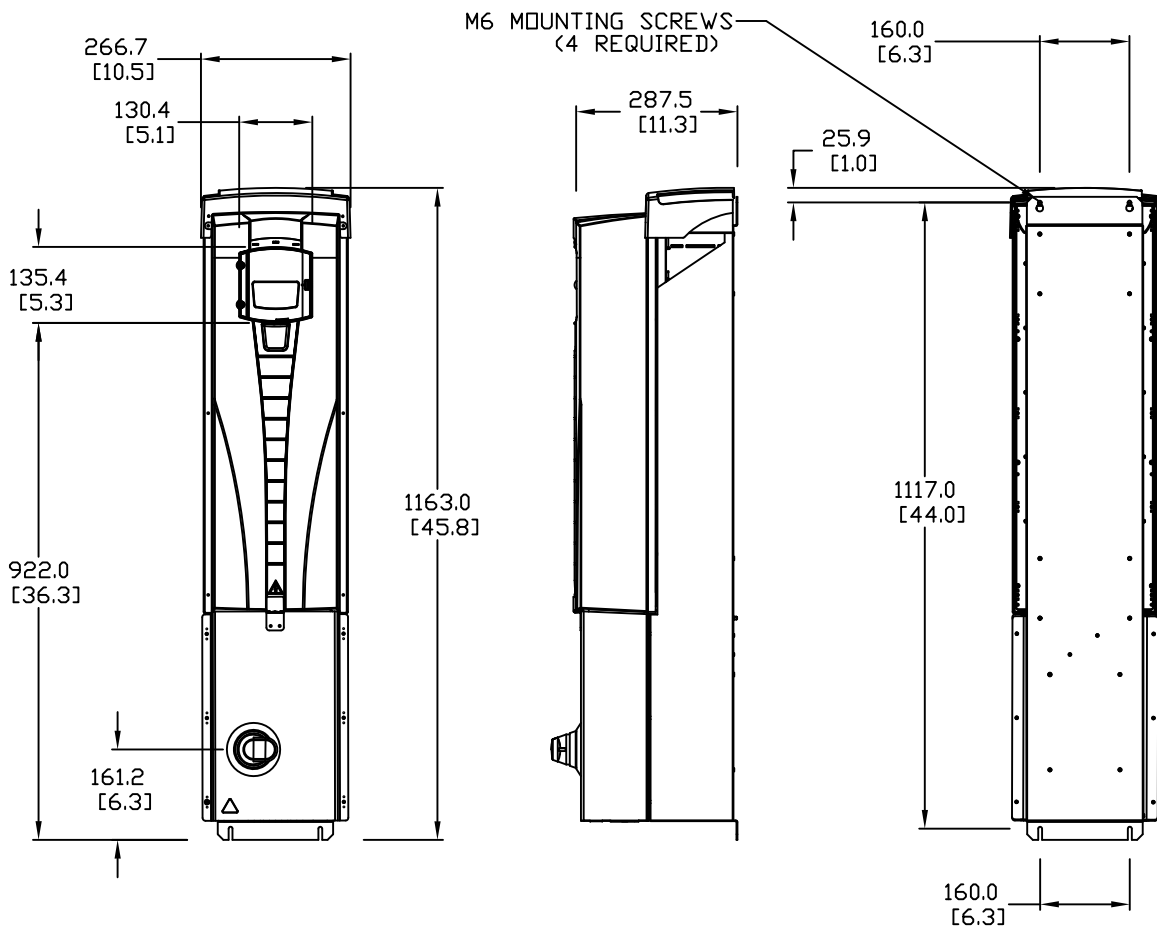


We reserve all rights in this document and the information contained therein. Reproduction, use, or disclosure to third parties without express written authority is strictly forbidden. ABB Automation Inc. (US)





BOTTOM VIEW

NOTES

1. DIMENSIONS SHOWN ARE IN MM [INCHES].
2. PRODUCT WEIGHT: 45 kg [99 lbs.].

F-3BUAD980502-d, rev. 1, 6-1-00

|  |              |  |         |                              |       |   |           |
|--|--------------|--|---------|------------------------------|-------|---|-----------|
| ECC # 500000142134   |              | Rev. descr. Added inches to dimensions on sheet 2. |         | Title DIMENSION DRAWING      |       |  | Cont. sh. |
| Prep.  | USINY/ 20040 | D.Varble   | 9/25/09 | 550 DRIVE W/INPUT DISCONNECT |       |   | -         |
| Appr.  | USINY/ 20040 | J.Brenner  | 9/25/09 | UL TYPE 12, R4               |       |   |           |
| Resp. dept.  | USINY/ 45069 | 20040  | 6/21/04 | Document number              | Lang. | Rev. Ind.   | Sheet     |
|  <b>ABB Automation and Drives</b> |              |  |         | 3AUA0000008221               | EN    | E   | 2         |