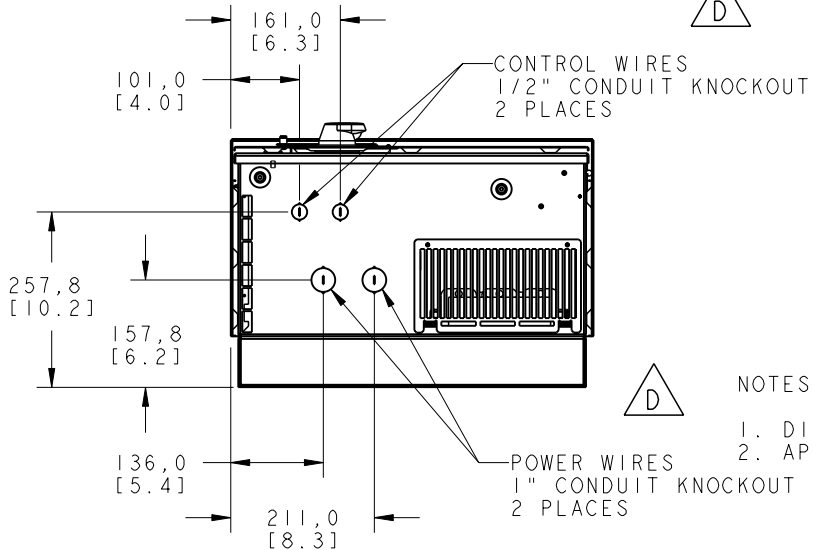
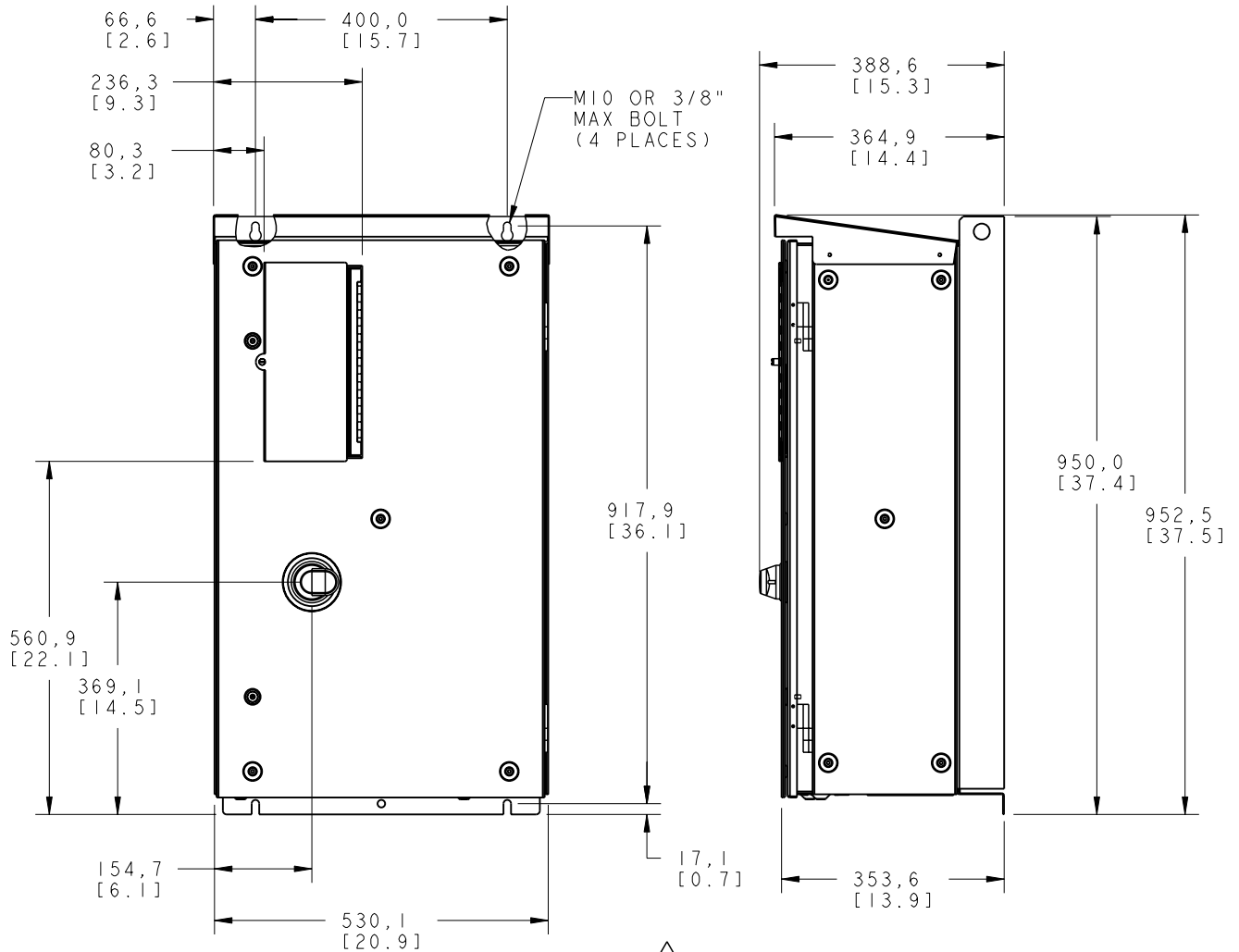


C	ECO 500000001088 UPDATE DRAWING	20-DEC-10	J.BRENNER
D	ECO 500000001785 UPDATE DRAWING	15-Jan-12	D.Crawley

Third angle projection. Original drawing made with Pro/ENGINEER. Set the correct scale factor when adding dimensions after DWG/DXF projection.



- NOTES:
- DIMENSIONS SHOWN ARE IN MM [INCHES].
  - APPROXIMATE PRODUCT WEIGHT
    - R2 - 72 kg [159 lbs]
    - R3 - 80 kg [175 lbs]
    - R4 - 88 kg [193 lbs]

F-3BUA0980502-k, rev. 2, 10-21-04

Cust. Doc. No.		Based on		Customer	
ABB Ref. No.					
Prep.	J.BRENNER	17-Jan-12	Title	DIMENSION DRAWING	
Check.	D.VARBLE	17-Jan-12	E-CLIPSE B2 TYPE 3R		
Appr.	J.BRENNER	17-Jan-12	Doc. des.	ASSEMBLY DRAWING	
Project name		Resp.dept.		45069	Rev.ind.
Weight kg		D (AP)		Lang. EN	
<b>ABB</b> Inc.		Doc. No.		3AUA0000016380	
				Sheet 1	
				Total 1	