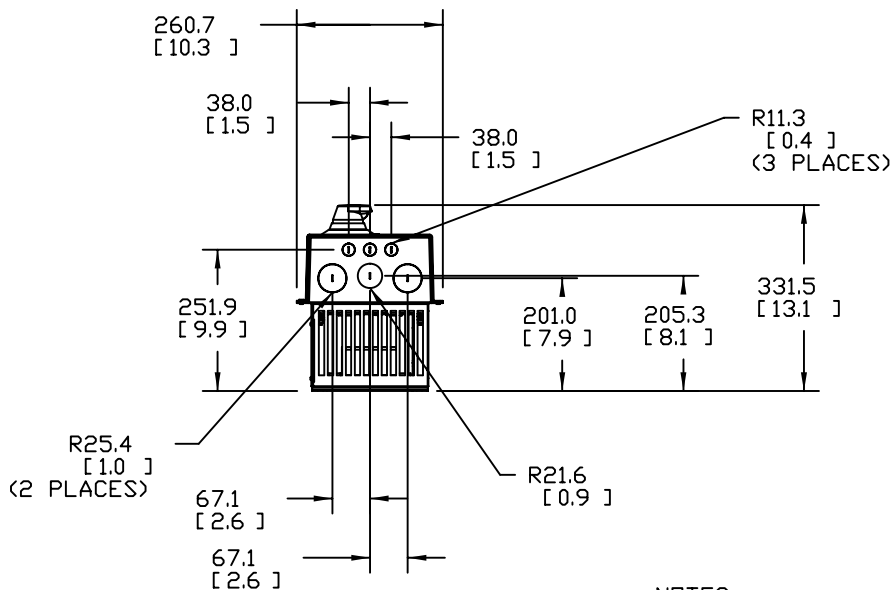
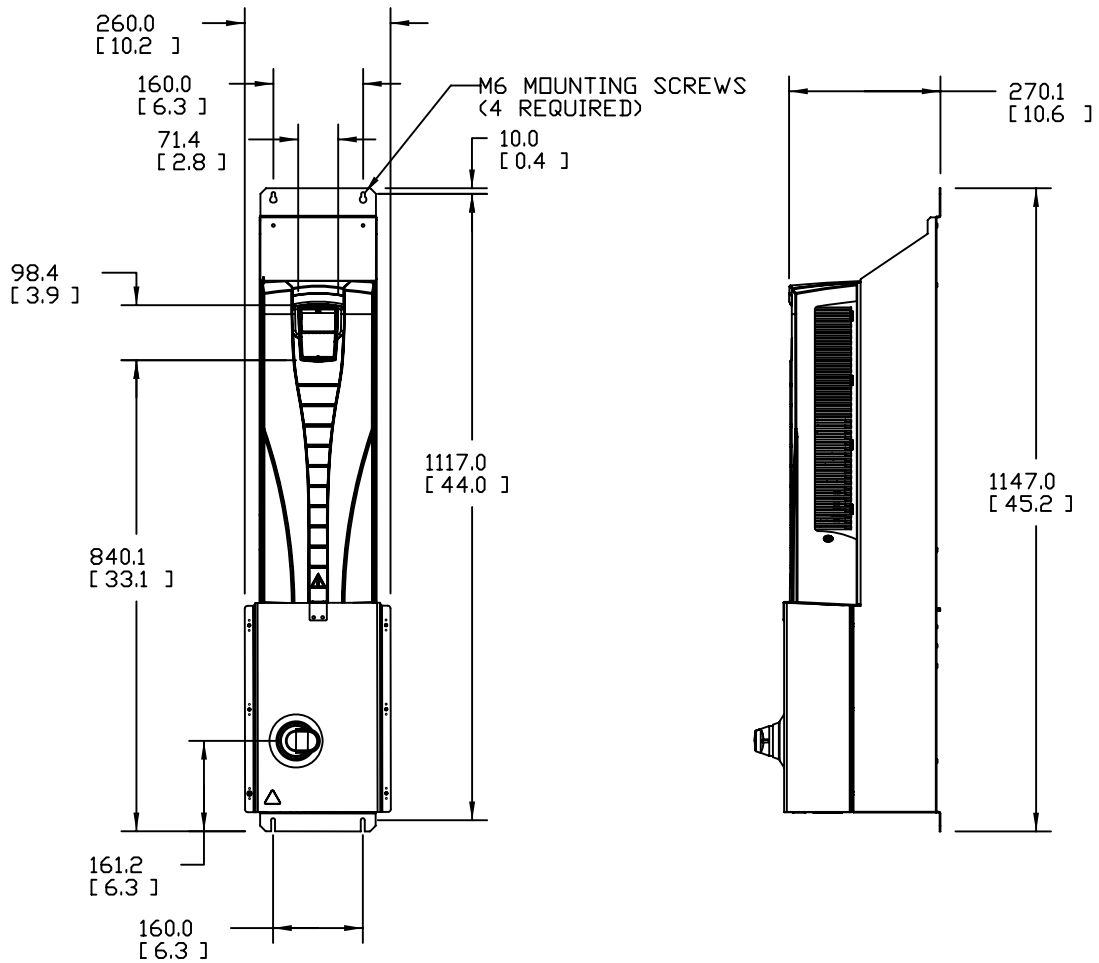


We reserve all rights in this document and the information contained therein. Reproduction, use, or disclosure to third parties without express written authority is strictly forbidden. ABB Automation Inc. (US)



BOTTOM VIEW

NOTES

1. DIMENSIONS SHOWN ARE IN MM [INCHES].
2. PRODUCT WEIGHT: 43 kg [95 lbs.].

| | | | | | |
|----------------------------------|--------------|-------------|---|------------------------------|-------------------|
| ECD # | 500000005282 | Rev. descr: | Revised the product weight in note 2 and chg'd title description. | | |
| Prep. | USINY/ 40062 | D.Varble | 1/11/08 | Title | DIMENSION DRAWING |
| Appr. | USINY/ 40062 | J.Brenner | 1/11/08 | 550 DRIVE W/INPUT DISCONNECT | |
| Resp. dept: | USINY/ 45069 | 40062 | 6/21/04 | UL TYPE 1, R4 | |
| ABB Automation and Drives | | | | Document number | 3AUA0000008221 |
| | | | | Lang. | EN |
| | | | | Rev. Ind. | D |
| | | | | Sheet | 1 |
| | | | | Cont. sh. | 2 |

F-3BUAD980502-d, rev. 1, 6-1-00