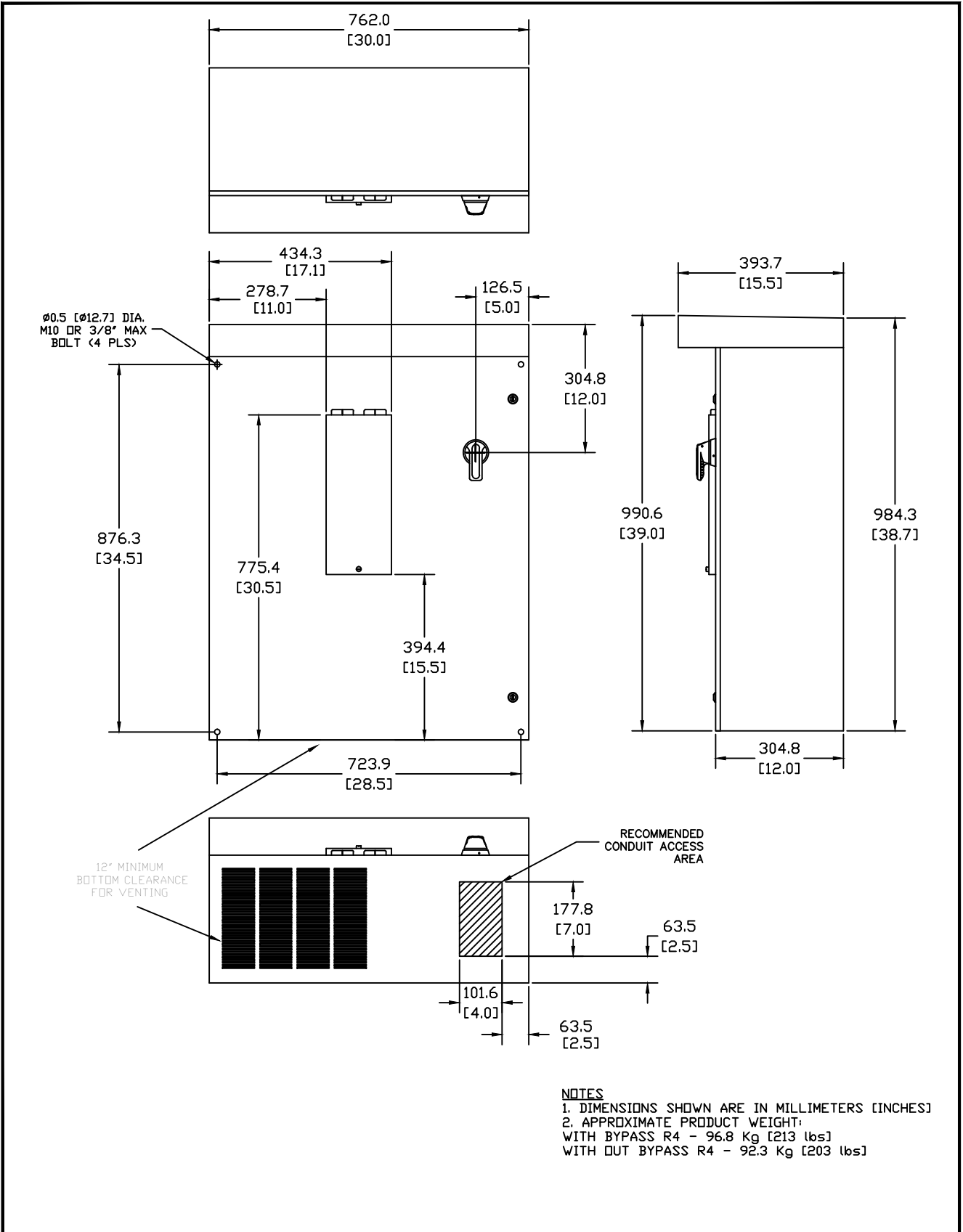


We reserve all rights in this document and the information contained therein. Reproduction, use, or disclosure to third parties without express written authority is strictly prohibited. ABB Automation Inc. (US)



**NOTES**

1. DIMENSIONS SHOWN ARE IN MILLIMETERS [INCHES]
2. APPROXIMATE PRODUCT WEIGHT:  
WITH BYPASS R4 - 96.8 Kg [213 lbs]  
WITH OUT BYPASS R4 - 92.3 Kg [203 lbs]

F-3BUAD980502-d, rev. 1, 6-1-00

ECD #		Rev. descr.					
Prep.	USINY/ MCS	D LACHANCE	5/19/09	Title	DIMENSIONAL DRAWING AMC SIZE 2 UL TYPE 3R/NEMA 3R	Cont. sh.	
Appr.	USINY/	J KELLY	5/19/09				
Resp. dept.	USINY/	20500	5/19/09				
<b>ABB Automation and Drives</b>				Document number	Lang.	Rev. Ind.	Sheet
				3AUA0000060123	-	A	2