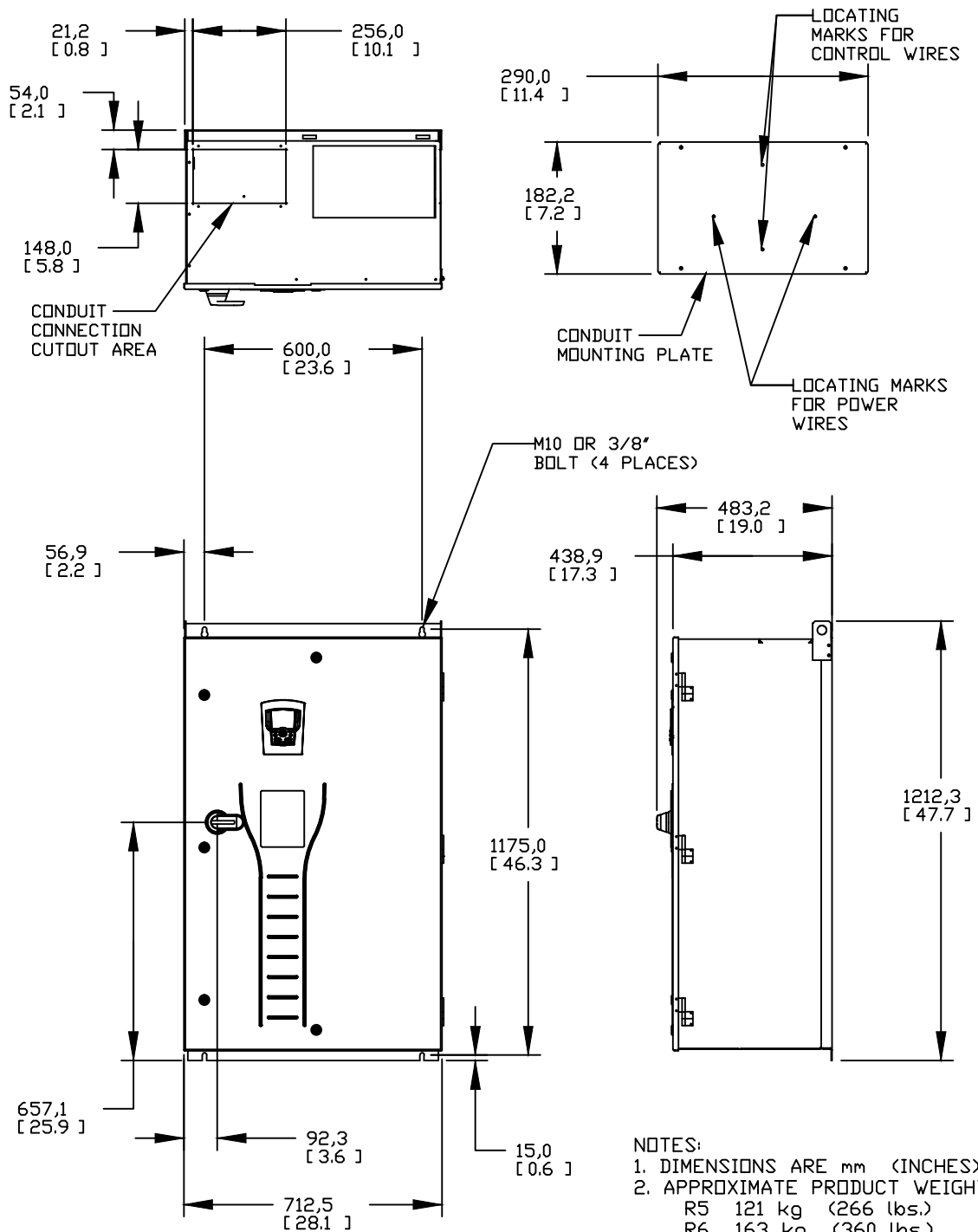


3AUA000021148	***	We reserve all rights in this document and in the information contained therein. Reproduction, use or disclosure to third parties without express authority is strictly forbidden.
3AUA000018942 (ASSEM)	A0+	©ABB Inc. (US)

Third angle projection. Original drawing made with Pro/ENGINEER. Set the correct scale factor when adding dimensions after DWG/DXF projection.



F-3BUAD980502-k, rev. 2, 10-21-04

Cust. Doc. No.		Based on		Customer	
ABB Ref. No.					
Prep. R.GONIA	04-SEP-07	Title	DIMENSION DRAWING	Doc. des.	ASSEMBLY DRAWING
Check. R.GONIA	04-SEP-07		PACKAGED DRIVE	Scale	0.255
Appr. D. TRUETTNER	15-JAN-08		B3 T1	Form	A
Project name		ABB Inc.		Resp.dept.	40060
Weight kg 2.15				Rev.ind.	A (AP)
				Lang.	EN
				Doc. No.	3AUA0000021148
				Sheet	1
				Total	1